

Engineering Specification

Job Name _____

Contractor _____

Job Location _____

Approval _____

Engineer _____

Contractor's P.O. No. _____

Approval _____

Representative _____

GRD-680

Green Roof Planter Drain with Traffic Grate

Specification

Watts GRD-680 epoxy coated cast iron green roof planter drain with flashing clamp, perforated stainless steel gravel guard, and 8" x 8" top assembly with heel-proof ductile iron grate.

Call customer service if you need assistance with technical details.

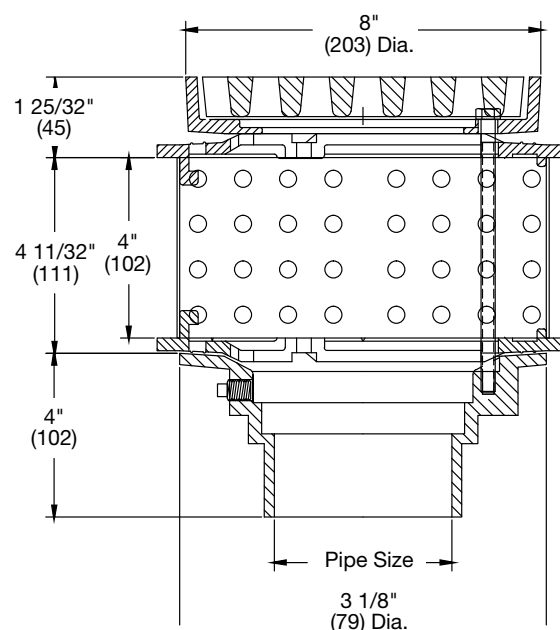


Pipe Sizing	
Suffix	Description
2	2"(51) Pipe Size
3	3"(76) Pipe Size
4	4"(102) Pipe Size

Outlet Type	
Suffix	Description
NH	No Hub (MJ)
P	Push On
T	Threaded Outlet
X	Inside Caulk

Options	
Suffix	Description
-1	All Nickel Bronze Top
-6	Vandal Proof Top
-13	Galv. Body & Flashing Clamp
-B	Sump Receiver
-D	Underdeck Clamp
-F	Deck Flange/Adj. Extension
-SO	Side Outlet

**Deck Opening: 6 1/2"(165)
w/Sump Receiver 8"(203)**



NOTICE

The information contained herein is not intended to replace the full product installation and safety information available or the experience of a trained product installer. You are required to thoroughly read all installation instructions and product safety information before beginning the installation of this product.

Watts product specifications in U.S. customary units and metric are approximate and are provided for reference only. For precise measurements, please contact Watts Technical Service. Watts reserves the right to change or modify product design, construction, specifications, or materials without prior notice and without incurring any obligation to make such changes and modifications on Watts products previously or subsequently sold.



USA: T: (800) 338-2581 • Watts.com

Canada: T: (888) 208-8927 • Watts.ca

Latin America: T: (52) 55-4122-0138 • Watts.com

ES-WD-GRD-680 2506

© 2025 Watts

