

Instructions

Watts TK-9A

Backflow Preventer Test Kit

⚠ WARNING



Read this Manual **BEFORE** using this equipment.

Failure to read and follow all safety and use information can result in death, serious personal injury, property damage, or damage to the equipment.



Keep this Manual for future reference.

The Watts No. TK-9 Model "A" Backflow Preventer Test Kit is a compact portable testing device made for testing all Reduced Pressure Zone Backflow Prevention Assemblies and Double Check Valve Assemblies. The TK-9A is easily connected to any RPZ device enabling accurate testing of zone differential pressure, relief valve opening differential, fouled check valves or similar problems that visual inspections cannot locate. The unit is supplied with a rugged carrying case for easy handling and accessibility.

Specification

- Maximum working pressure – 175 psi (12.1 bar).
- Maximum working temperature – 210°F (99°C).
- Gauge - 4½" diameter face dual scale 0 – 15 psid and 0-1 kg/cm², ±2% accuracy full scale.
- Test Valves – (2) ball valves and (1) needle valve.
- Hoses – (3) 3' with female threaded swivel couplings.
- Adaptors – (3) ¼" threaded coupling adaptors
 - (3) ½" x ¼" bushings
 - (3) ¾" x ¼" bushings
- 1 – 16" securing strap.
- 1 – Moisture resistant instruction guide.
- Case – light weight, shock resistant molded plastic with foam inserts.



No. TK-9 Model "A" Test Kit

Reduced Pressure Zone Backflow Preventers must be inspected and tested periodically,

in accordance with local codes, to ensure proper operation of check valves within the unit. A differential pressure gauge is recommended for Test No. 1 rather than a manometer for the following reasons: It utilizes minimum time to perform the test. It eliminates the necessity of closing the inlet ball valve which could release pipe scale and foreign matter into the backflow preventer. Only a slight amount of water is 'spilled' in test. A mercury manometer could cause a pollution hazard.

Test Set Up

Reduced Pressure Zone Assembly

- Close Valves A, B and C on Test Kit.
- Connect high side hose to test cock #2
- Connect low side hose to test cock #3. Close shutoff #2.
- Open test cocks #2 and #3.
- Open vent valve C.
- Open 'high' valve A and bleed to atmosphere until all the air is expelled.
- Close valve A. Open 'low' valve B and bleed to atmosphere until all air is expelled. Close 'low' valve B. Close 'vent' valve C.
- Connect vent hose to test cock #4.

Test Procedure

Reduced Pressure Zone Assembly

Field Test Equipment Required

Reduced Pressure Zone Backflow Preventer Test Kit

Test No. 1

Purpose: To test check valve No. 2 for tightness against reverse flow.

Requirements: Valve must be tight against reverse flow under all pressure differentials. Slowly open the high valve A and the vent valve C, and keep the low valve B closed. Open test cock #4. Indicated pressure differential will decrease slightly. If pressure differential continues to decrease (until the vent opens) check valve #2 is reported as leaking.

Test No. 2

Purpose: To test shutoff #2 for tightness.

Requirements: After passing Test No. 1, continue to Test No. 2 by closing test cock #2. The indicated pressure differential will decrease slightly. If pressure differential continues to decrease (approaching "zero"), shutoff #2 is reported to be "leaking".

Test No. 3

Purpose: To test Check Valve No. 1 for tightness.

Requirements: Valve must be tight against reverse flow under all pressure differentials. Close high valve A and open test cock #2. Close test cock #4. Disconnect vent hose at test cock #4. Open valves B and C, bleeding to atmosphere. Then closing valve B restores the system to a normal static condition. Observe the pressure differential gauge. If there is a decrease in the indicated value, Check Valve No. 1 is reported as "leaking".

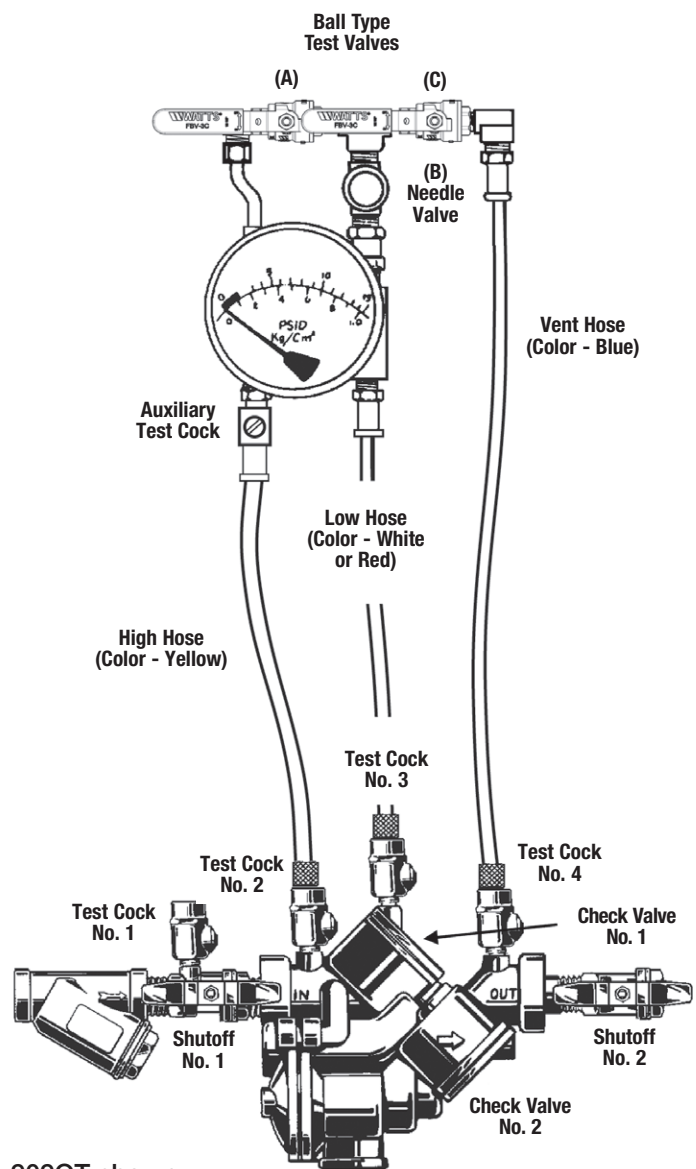
Test No. 4

Purpose: To test operation of pressure differential relief valve.

Requirements: The pressure differential relief valve must operate to maintain the "zone" between the two check valves at least 2 psi less than the supply pressure. Close vent valve C. Open high valve A. Open the low valve B very slowly until the differential gauge needle starts to drop. Hold the valve at this position and observe the gauge reading at the moment the first discharge is noted from the relief valve. Record this as the opening differential pressure of the relief valve.

NOTICE

It is important that the differential gauge needle drops slowly. Close test cocks #2 and #3. Use vent hose to relieve pressure from test kit by opening valves A, B and C. Remove all test equipment and open shutoff #2.



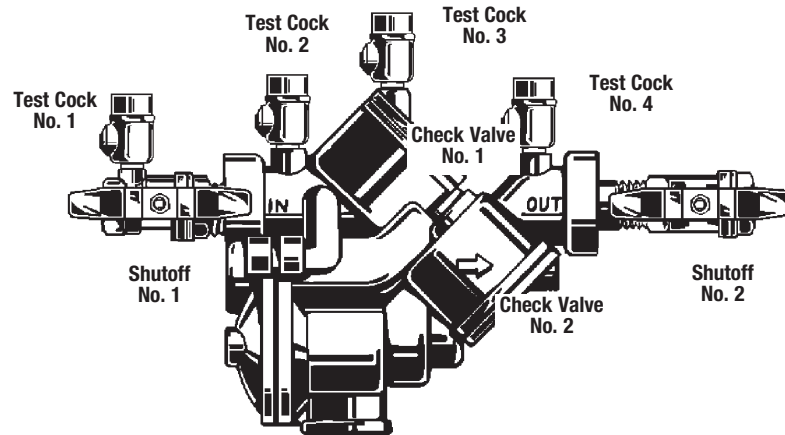
CAUTION

To prevent freezing, hold Test Kit vertically to drain differential gauge and hoses prior to placing in case.

Series 909/LF909

Reduced Pressure Zone Backflow Preventer

1 1/4" to 2"



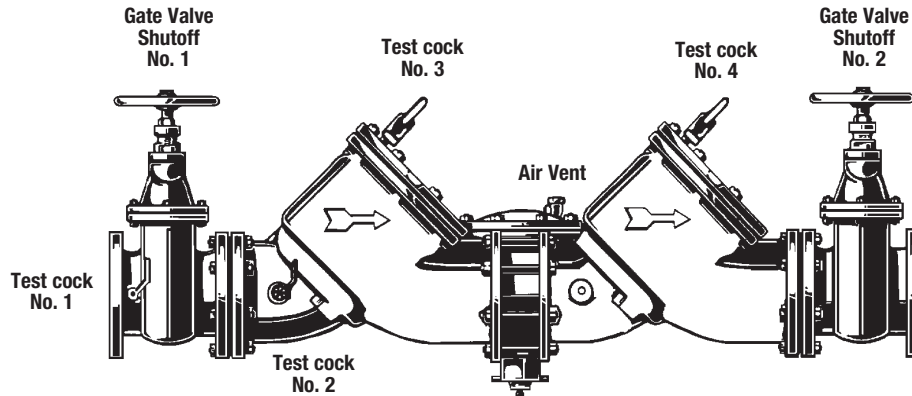
909QT shown

Pressure Differential Relief Valve

Series 909/LF909

Reduced Pressure Zone Backflow Preventer

2 1/2" to 10"



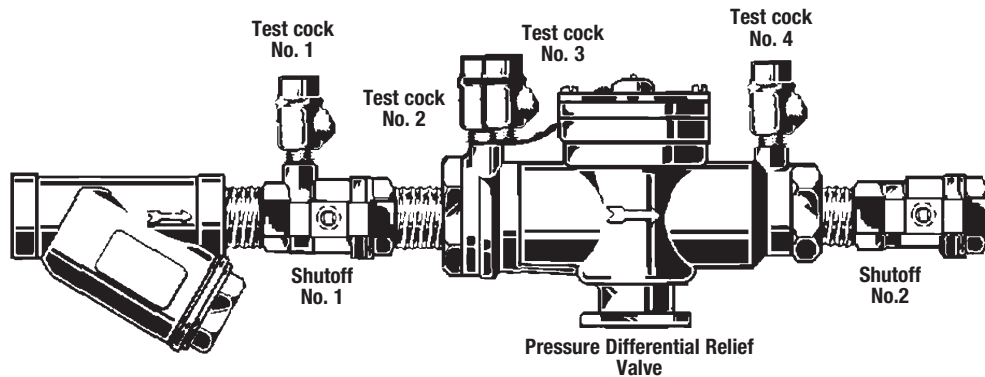
909NRS shown

Pressure Differential Relief Valve

Series 009/LF009

Reduced Pressure Zone Backflow Preventer

1/4" to 2"



009QT shown

Pressure Differential Relief Valve

Test Procedure

Double Check Valve Assembly

Test Check Valve No. 1

- Step 1: Insure shutoff #1 is open, shutoff #2 is closed.
- Step 2: Connect high side hose to test cock #3, low side to test cock #2 and open both test cock #2 and test cock #3.
- Step 3: Open valve C, then open A to bleed air from the high side. Close valve A, then open B to bleed low side. Close valve B.
- Step 4: Connect vent hose loosely to test cock #1. Open valve A to vent air from vent hose. Tighten vent hose at test cock #1, open test cock #1.
- Step 5: Close shutoff #1. Slowly loosen hose at test cock #2 until differential gauge rises to 2 psi and retighten hose. If the differential reading does not decrease, record check valves as "tight".

Test Check Valve No. 2

- Step 1: Move the high side hose to test cock #4, low side to test cock #3 and open both test cock #3 and test cock #4. Remove vent hose from test cock #1, open shutoff #1.
- Step 2: Open valve C, then open valve A to bleed air from the high side. Close valve A, then open valve B to bleed low side. Close valve B.
- Step 3: Connect vent hose loosely to test cock #1. Open valve A to vent air from the vent hose. Tighten vent hose at test cock #1, open test cock #1.
- Step 4: Close shutoff #1, then slowly loosen hose at test cock #3 until differential gauge rises to 2 psi and retighten hose. If the differential reading does not decrease, record check valves as tight. Remove all hoses and restore valve to original working condition.

NOTICE

The assembly will fail both the first and second check valve tests above, if shutoff #2 leaks excessively. To test for a leaky #2 shutoff, use the following procedure.

Test for Leaky No. 2 Shutoff

- Step 1: Connect the high side to test cock #1, low side to test cock #4. Open test cock #1 and test cock #4. Close shutoffs #1 and #2.
- Step 2: Close valve C. Open valve A, then open valve B 1/2 turn, loosen hose at test cock #4 to remove air. Retighten hose.
- Step 3: If the differential gauge rises above 0, there is excessive leakage at shutoff #2 and it must be replaced to test the assembly.

Limited Warranty: Watts Regulator Co. (the "Company") warrants each product to be free from defects in material and workmanship under normal usage for a period of one year from the date of original shipment. In the event of such defects within the warranty period, the Company will, at its option, replace or recondition the product without charge.

THE WARRANTY SET FORTH HEREIN IS GIVEN EXPRESSLY AND IS THE ONLY WARRANTY GIVEN BY THE COMPANY WITH RESPECT TO THE PRODUCT. THE COMPANY MAKES NO OTHER WARRANTIES, EXPRESS OR IMPLIED. THE COMPANY HEREBY SPECIFICALLY DISCLAIMS ALL OTHER WARRANTIES, EXPRESS OR IMPLIED, INCLUDING BUT NOT LIMITED TO THE IMPLIED WARRANTIES OF MERCHANTABILITY AND FITNESS FOR A PARTICULAR PURPOSE.

The remedy described in the first paragraph of this warranty shall constitute the sole and exclusive remedy for breach of warranty, and the Company shall not be responsible for any incidental, special or consequential damages, including without limitation, lost profits or the cost of repairing or replacing other property which is damaged if this product does not work properly, other costs resulting from labor charges, delays, vandalism, negligence, fouling caused by foreign material, damage from adverse water conditions, chemical, or any other circumstances over which the Company has no control. This warranty shall be invalidated by any abuse, misuse, misapplication, improper installation or improper maintenance or alteration of the product.

Some States do not allow limitations on how long an implied warranty lasts, and some States do not allow the exclusion or limitation of incidental or consequential damages. Therefore the above limitations may not apply to you. This Limited Warranty gives you specific legal rights, and you may have other rights that vary from State to State. You should consult applicable state laws to determine your rights. **SO FAR AS IS CONSISTENT WITH APPLICABLE STATE LAW, ANY IMPLIED WARRANTIES THAT MAY NOT BE DISCLAIMED, INCLUDING THE IMPLIED WARRANTIES OF MERCHANTABILITY AND FITNESS FOR A PARTICULAR PURPOSE, ARE LIMITED IN DURATION TO ONE YEAR FROM THE DATE OF ORIGINAL SHIPMENT.**



Ball Type Test Valves

