

Limited Warranty: Watts Regulator Co. (the "Company") warrants each product to be free from defects in material and workmanship under normal usage for a period of one year from the date of original shipment. In the event of such defects within the warranty period, the Company will, at its option, replace or recondition the product without charge. **THE WARRANTY SET FORTH HEREIN IS GIVEN EXPRESSLY AND IS THE ONLY WARRANTY GIVEN BY THE COMPANY WITH RESPECT TO THE PRODUCT. THE COMPANY MAKES NO OTHER WARRANTIES, EXPRESS OR IMPLIED. THE COMPANY HEREBY SPECIFICALLY DISCLAIMS ALL OTHER WARRANTIES, EXPRESS OR IMPLIED, INCLUDING BUT NOT LIMITED TO THE IMPLIED WARRANTIES OF MERCHANTABILITY AND FITNESS FOR A PARTICULAR PURPOSE.**

The remedy described in the first paragraph of this warranty shall constitute the sole and exclusive remedy for breach of warranty, and the Company shall not be responsible for any incidental, special or consequential damages, including without limitation, lost profits or the cost of repairing or replacing other property which is damaged if this product does not work properly, other costs resulting from labour charges, delays, vandalism, negligence, fouling caused by foreign material, damage from adverse water conditions, chemical, or any other circumstances over which the Company has no control. This warranty shall be invalidated by any abuse, misuse, misapplication, improper installation or improper maintenance or alteration of the product.

Some States do not allow limitations on how long an implied warranty lasts, and some States do not allow the exclusion or limitation of incidental or consequential damages. Therefore the above limitations may not apply to you. This Limited Warranty gives you specific legal rights, and you may have other rights that vary from State to State. You should consult applicable state laws to determine your rights. **SO FAR AS IS CONSISTENT WITH APPLICABLE STATE LAW, ANY IMPLIED WARRANTIES THAT MAY NOT BE DISCLAIMED, INCLUDING THE IMPLIED WARRANTIES OF MERCHANTABILITY AND FITNESS FOR A PARTICULAR PURPOSE, ARE LIMITED IN DURATION TO ONE YEAR FROM THE DATE OF ORIGINAL SHIPMENT.**

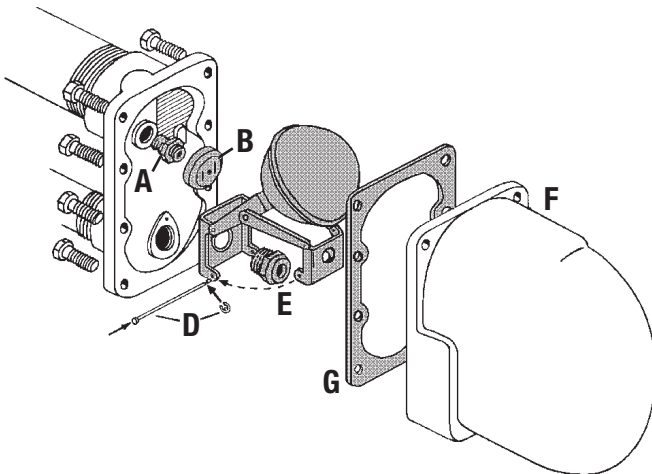
CALIFORNIA PROPOSITION 65 WARNING
 WARNING: This product contains chemicals known to the State of California to cause cancer and birth defects or other reproductive harm. (California law requires this warning to be given to customers in the State of California.)
 For more information: www.watts.com/prop65

IS-WFTK

Series WFTK F&T Repair Kits

Installation Instructions

LARGE VALVE REASSEMBLY



Installation:

1. Close supply and return side valves and let steam trap cool.
2. Remove bolts, wire brush clean if needed, and put aside. Remove trap body, leaving trap cover attached to system piping. Remove and discard cover gasket, make sure that the body and cover flange are clean and all remnants of old gasket are scraped off. Clean out any debris/sludge from inside trap body.
3. Remove thermostatic vent and vent seat, discard. Install new thermostatic vent seat (A) and make wrench tight (approximately 25 ft - lbs). Place thermostatic capsule (B) and snap-on to vent seat by pushing the middle back of capsule with thumb.
4. Refer to above drawing (D & E) and remove old condensate valve assembly, float and linkage. Replace same and torque condensate valve seat to 25 ft - lbs.
5. Reinstall body (F) using new cover gasket (G) and torque bolts to 25-40 ft - lbs.
6. Slowly open supply valve, then slowly open return side valve. Check and retorque bolts after trap is at operating temperature.



Water Safety & Flow Control Products



USA: 815 Chestnut St., No. Andover, MA 01845-6098; www.watts.com

Canada: 5435 North Service Rd., Burlington, ONT. L7L 5H7; www.wattscanada.ca

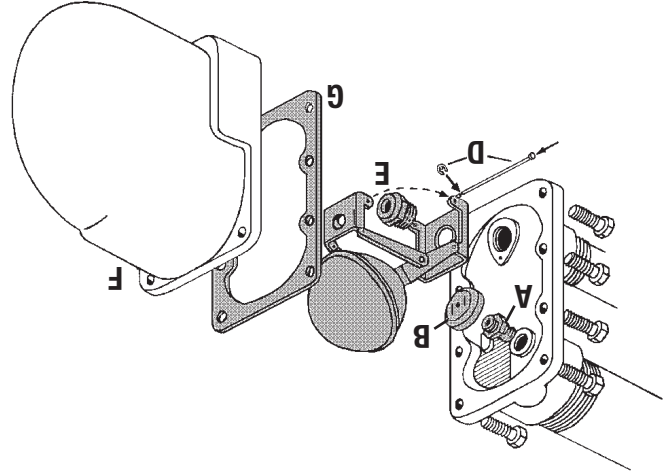
USA: 815 Chestnut St., No. Andover, MA 01845-6098; www.watts.com
 Canada: 5435 North Service Rd., Burlington, ONT, L7L 5H7; www.wattscanada.ca

Water Safety & Flow Control Products

**ISO 9001-2000
 CERTIFIED**

WATTS®

1. Close supply and return side valves and let steam trap cool.
2. Remove bolts, wire brush clean if needed, and put aside. Remove trap body, leaving trap cover attached to system piping. Remove and discard cover gasket, make sure that the body and cover flange are clean and all remnants of old gasket are scraped off. Clean out any debris/sludge from inside trap body.
3. Remove thermostatic vent and vent seat, discard. Install new thermostatic vent seat (A) and make wrench tight (approximately 25 ft - lbs). Place thermostatic capsule (B) and snap-on to vent seat by pushing the middle back of capsule with thumb.
4. Refer to above drawing (D & E) and remove old condensate valve assembly, float and linkage. Replace same and torque condensate valve seat to 25 ft - lbs.
5. Reinstall body (F) using new cover gasket (G) and torque bolts to 25-40 ft - lbs.
6. Slowly open supply valve, then slowly open return side valve. Check and retorque bolts after trap is at operating temperature.



LARGE VALVE REASSEMBLY

Series WFTK F&T Repair Kits Installation Instructions

Installation:

IS-WFTK

CALIFORNIA PROPOSITION 65 WARNING

WARNING: This product contains chemicals known to the State of California to cause cancer and birth defects or other reproductive harm. (California law requires this warning to be given to customers in the State of California.)

For more information: www.watts.com/prop65

Limited Warranty: Watts Regulator Co. (the "Company") warrants each product to be free from defects in material and workmanship under normal usage for a period of one year from the date of original shipment. In the event of such defects within the warranty period, the Company will, at its option, replace or recondition the product without charge.

THE WARRANTY SET FORTH HEREIN IS GIVEN EXPRESSLY AND IS THE ONLY WARRANTY GIVEN BY THE COMPANY WITH RESPECT TO THE PRODUCT. THE COMPANY MAKES NO OTHER WARRANTIES, EXPRESS OR IMPLIED. THE COMPANY HEREBY SPECIFICALLY DISCLAIMS ALL OTHER WARRANTIES, EXPRESS OR IMPLIED, INCLUDING BUT NOT LIMITED TO THE IMPLIED WARRANTIES OF MERCHANTABILITY AND FITNESS FOR A PARTICULAR PURPOSE.

The remedy described in the first paragraph of this warranty shall constitute the sole and exclusive remedy for breach of warranty, and the Company shall not be responsible for any incidental, special or consequential damages, including without limitation, lost profits or the cost of repairing or replacing other property which is damaged if this product does not work properly, other costs resulting from labor charges, delays, vandalism, negligence, fouling caused by foreign material, damage from adverse water conditions, chemical, or any other circumstances over which the Company has no control. This warranty shall be invalidated by any abuse, misuse, misapplication, improper installation or improper maintenance or alteration of the product.

Some States do not allow limitations on how long an implied warranty lasts, and some States do not allow the exclusion or limitation of incidental or consequential damages. Therefore the above limitations may not apply to you. This Limited Warranty gives you specific legal rights, and you may have other rights that vary from State to State. You should consult applicable state laws to determine your rights. **SO FAR AS IS CONSISTENT WITH APPLICABLE STATE LAW, ANY IMPLIED WARRANTIES THAT MAY NOT BE DISCLAIMED, INCLUDING THE IMPLIED WARRANTIES OF MERCHANTABILITY AND FITNESS FOR A PARTICULAR PURPOSE, ARE LIMITED IN DURATION TO ONE YEAR FROM THE DATE OF ORIGINAL SHIPMENT.**