


Installation, Maintenance, and Repair Manual

Series LF919

Reduced Pressure Zone Assembly

1/2" – 2"

⚠ WARNING

 Read this Manual **BEFORE** using this equipment. Failure to read and follow all safety and use information can result in death, serious personal injury, property damage, or damage to the equipment. Keep this Manual for future reference.

THINK SAFETY FIRST

⚠ WARNING

Local building or plumbing codes may require modifications to the information provided. You are required to consult the local building and plumbing codes prior to installation. If the information provided here is not consistent with local building or plumbing codes, the local codes should be followed. This product must be installed by a licensed contractor in accordance with local codes and ordinances.

⚠ WARNING

Need for Periodic Inspection/Maintenance: This product must be tested periodically in compliance with local codes, but at least once per year or more as service conditions warrant. All products must be retested once maintenance has been performed. Corrosive water conditions and/or unauthorized adjustments or repair could render the product ineffective for the service intended. Regular checking and cleaning of the product's internal and external components helps assure maximum life and proper product function.

NOTICE

For Australia and New Zealand, line strainers should be installed between the upstream shutoff valve and the inlet of the backflow preventer.

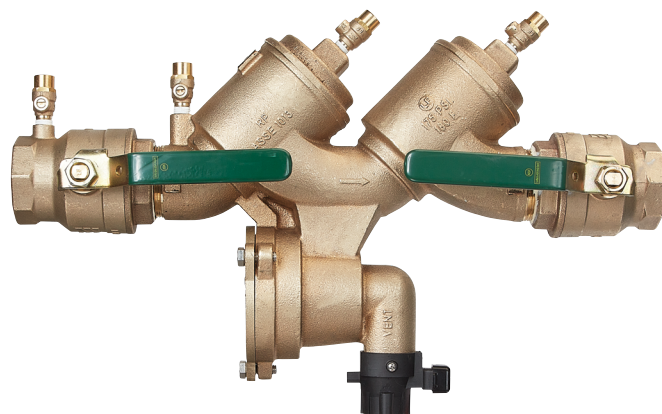
If installed on a fire sprinkler system, all mechanical checks, such as alarm checks and backflow preventers, should be flow tested and inspected internally in accordance with NFPA 13 and NFPA 25.

Testing

For field testing procedure, refer to Watts installation sheets IS-TK-DL, IS-TK-7, IS-TK-9A, IS-TK-99D, and IS-TK-99E at www.watts.com.

For other repair kits and service parts, refer to the Backflow Prevention Products Repair Kits & Service Parts price list PL-RP-BPD at www.watts.com.

For technical assistance contact your local Watts representative.



LF919-QT with flood sensor

Series LF919 is equipped with a flood sensor that triggers notification of potential flood events from excessive relief valve discharges.

NOTICE

An add-on connection kit is required to activate the flood sensor. Without the connection kit, the flood sensor is a passive component that has no communication with any other device. (A retrofit sensor connection kit is also available for existing installations. See "Add-on and Retrofit Sensor Connection Kits," for ordering details.)

NOTICE

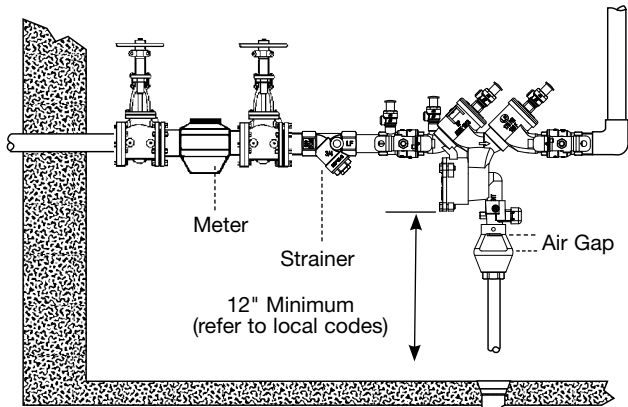
Use of the flood sensor does not replace the need to comply with all required instructions, codes, and regulations related to installation, operation, and maintenance of this product, including the need to provide proper drainage in the event of a discharge.

Watts is not responsible for the failure of alerts due to connectivity or power issues.

Installation Guidelines

Indoors

For indoor installation, make sure Series LF919 is accessible to facilitate testing and servicing. Do not install the assembly in a concealed location. If the location is parallel and close to the wall, make sure the test cocks are accessible and the drain line can discharge water if required. An air gap and drain line are piped from the relief valve connection, allowing evidence of discharge to be visible and preventing the occurrence of water damage. (Refer to ES-AG/EL/TC at watts.com.)

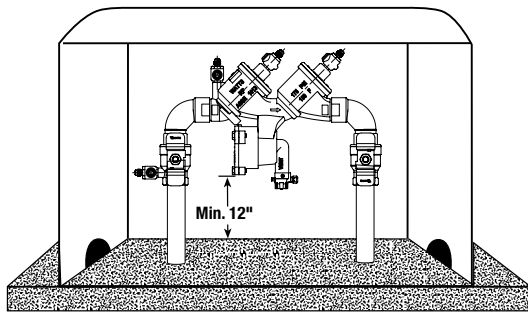


Outdoor, Above Ground

For outdoor installations, install Series LF919 where there are no freezing conditions and above ground whenever possible. Install the assembly in an accessible location to facilitate testing and servicing. The installation must also allow for adequate drainage from the air gap and the discharge line if needed.

⚠ WARNING

Do not allow the drain line to empty directly into a drainage ditch, sewer system, or sump.
Do not install the assembly in any location where any part of the unit could become submerged in standing water.



WattsBox Insulated Enclosure
For more information download ES-WB.

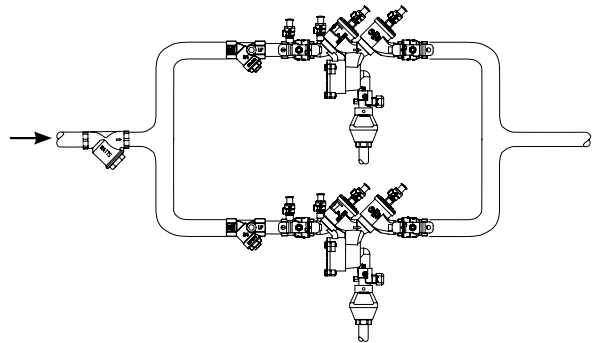
Parallel

For parallel installations, two or more small-sized assemblies can be installed (when approved) to serve a large supply pipe main. Use this type of installation in an application where increased capacity beyond that provided by a single valve is required. Additionally, this type of installation permits testing and/or servicing of a single valve without shutting down the complete line.

The number of units installed in parallel should be determined by the engineer's judgment, based on the operating conditions of a specific application.

NOTICE

The total capacity of all the units installed in the application should equal or exceed that required by the system.



- A. Shutoff Valves: If you remove the shutoff valves from the assembly, reassemble the shutoff valve with the test cock mounted on the inlet side of the unit.
- B. Check state and local codes to ensure the assembly is installed in compliance with the codes, such as proper height above the ground.
- C. Recommended: Install a strainer ahead of the assembly to protect the internal components from unnecessary fouling.

⚠ CAUTION

Do not install the assembly with a strainer in rarely used water lines, such as a fire sprinkler system which is only deployed during emergencies.
Start Up: Close the downstream shutoff. Open the upstream slowly and fill the valve. When the valve is filled, open the downstream shutoff slowly, and fill the water supply system. This is necessary to avoid water hammer and/or shock damage.

- D. Vent the air gap and drain line from the relief valve in accordance with code requirements. Terminate discharge approximately 12" above the ground or through an air gap piped to a floor drain.

⚠ WARNING

Do not allow the drain line to empty directly into a drainage ditch, sewer system, or sump.

NOTICE

Relief Valve Discharge Rates. The air gap and drain line terminating above a floor drain can accommodate any moderate discharge or nuisance spitting through the relief valve. However, to prevent water damage in the case of a catastrophic failure, design the floor drain size to accommodate the increased discharge. (See table on typical flow rates as sized by floor drain manufacturers, page 3.)

NOTICE

Do not reduce the size of the drain line from the air gap fitting. The drain line must remain at full line size.

- E. After the initial installation of the assembly, a discharge from the relief valve may occur due to dirt and pipe compounds. This may be caused by inadequate initial flushing of the pipe lines. If flushing the valve does not clear the unit, remove the first check valve and clean thoroughly, using the procedures in "Servicing the First and Second Check Valves."

NOTICE

Periodic relief valve discharge may occur on dead end service applications, such as boiler feed lines or cooling tower makeup lines. This may be due to fluctuating supply pressure during a static or no flow condition. To avoid this discharge, install a spring-loaded, rubber seated check valve ahead of the backflow assembly.

- F. Avoid placing the assembly in a pit or at a depth below the ground level, unless absolutely necessary. If an installation requires below ground level installation, a modified pit installation is recommended, as well as the approval of local codes. In such cases, provision should be made to always vent the drain line above the flood level. In the case of a pit drain, ensure an adequate air gap exists between the bottom of the drain line and the bottom of the pit.
- G. Periodically inspect the assembly to check for any discharge from the relief valve. This discharge is a visual indication that the valve needs cleaning or repair. Also test the valve periodically in compliance with local codes to ensure its proper operation.

The relief vent discharges water during no-flow periods in the following instances:

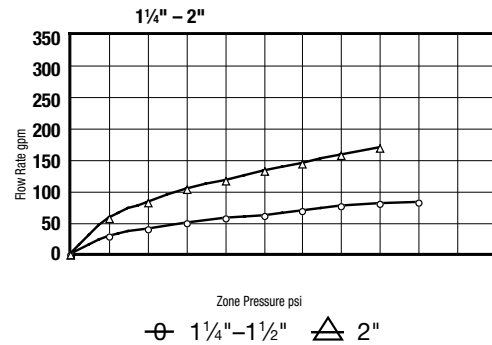
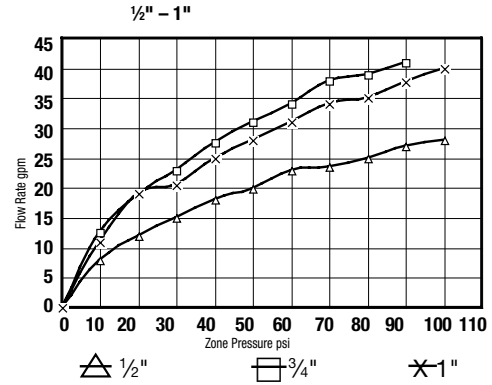
- The first check valve is fouled.
- The inlet pressure to the check valve drops sufficiently due to upstream pressure fluctuations. This affects the required operating differential between the inlet pressure and the reduced pressure zone.
- The second check is fouled during emergency backflow or resulting from a water hammer condition.

For more information download Troubleshooting Guide S-TSG.

NOTICE

When installing the assembly on fire prevention systems, special considerations are required.

Fire Protection System Installations: The National Fire Protection Agency (NFPA) Guidelines require a confirming flow test to be conducted by a certified tester whenever a "main line" valve is installed, such as a shutoff valve or a backflow preventer.



TYPICAL FLOW RATES AS SIZED BY FLOOR DRAIN MANUFACTURERS	
2" 55 gpm	5" 350 gpm
3" 112 gpm	6" 450 gpm
4" 170 gpm	8" 760 gpm

Servicing the Relief Valve

⚠ WARNING Depressurize valve before servicing.

No special tools are required to service the assembly. Before servicing, turn off the water or close the shutoff valves. Remove the flood sensor and activation module if the relief valve outlet needs to be cleaned of debris.

The following procedures provide information for replacing the diaphragm, the relief valve disc, and the relief valve seat. Visually inspect these parts to determine if a replacement or cleaning is required.

Disassembling the Relief Valve

1. Remove the relief valve cover bolts while holding the cover down.
2. Turn the cover counterclockwise by one quarter, and lift it straight off while still applying pressure to the cover with your hand.

⚠ WARNING

Apply pressure to the cover as you lift it straight off. Due to the release of pressure when removing the cover, the relief valve spring may eject quickly.

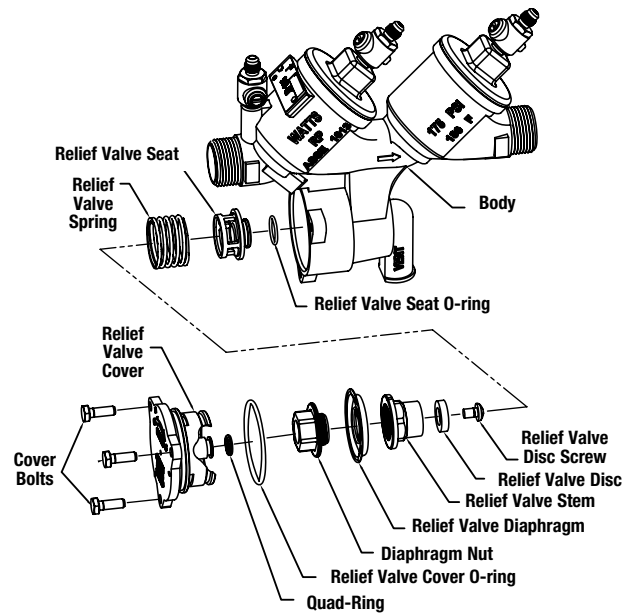
3. Remove the relief valve assembly (includes cover O-ring, stem and diaphragm assembly).
4. Remove the relief valve spring.
5. Remove the pressed-in relief valve seat and seat O-ring.

Replacing the Diaphragm

1. Using a wrench, loosen the diaphragm assembly by turning the hex bolt counterclockwise.
2. Remove the diaphragm and replace with a new diaphragm if required, or clean the existing diaphragm. The molded step of the diaphragm should point down toward the relief valve stem.
3. Using a wrench, reassemble the diaphragm assembly by turning the hex bolt clockwise to tighten.

Replacing the Relief Valve Disc and Seat

1. Using a Phillips screwdriver, remove the screw in the relief valve disc and replace the disc if required, or clean the existing disc.
2. Place the screw back into the relief valve disc and tighten.
3. Replace the relief valve seat with a new seat if required, or clean the existing seat.



Reassembling the Relief Valve

1. Place the relief valve seat back into the chamber bore.
2. Slide the diaphragm assembly into the relief valve seat.
3. Place the spring onto the diaphragm assembly.
4. Place the cover O-ring on the diaphragm assembly.
5. Line up the grooves on the relief valve cover with the grooves in the relief valve body, and turn the cover clockwise by one quarter to seat the cover.
6. Using a wrench, place the bolts back into the cover and tighten.

⚠ CAUTION

If the cover does not lie flat against the relief valve body, the diaphragm assembly is not installed properly and damage can result. Remove the bolts and cover, realign the diaphragm assembly, and place the cover back on the relief valve body.

7. Reinstall the flood sensor and activation module if removal was required.
8. Open the shutoff valves.

Servicing the First and Second Check Valves

⚠ WARNING Depressurize valve before servicing.

No special tools are required to service the series.

Before servicing, make sure the water is turned off or shutoff valves are closed.

1. Close shutoff valves up and downstream of the valve.
2. Using an appropriately sized wrench, loosen the check valve cover. Unscrew the check valve cover and lift it off.
3. Remove the spring.
4. Lift out the disc holder assembly from the body of the valve.
5. To reverse the seat disc, unscrew the disc screw and disassemble the disc washer and disc rubber from the disc holder assembly. Reverse the disc rubber so the opposite face is showing.
6. Assemble the disc screw through the disc washer and disc rubber, and screw it into the disc holder.
7. To replace the seat module, pull the seat module out of the body by gripping at the reinforcement ring. Replace the seat module with the new seat by placing it into the body seat bore.

NOTICE

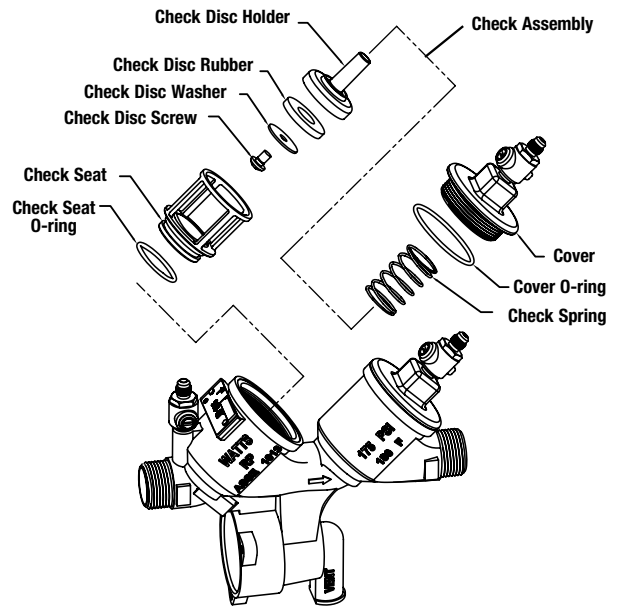
When the cover is tightened in step 12, the cover is engaged with the seat module properly.

8. Insert the disc holder assembly back into the seat module.
9. Replace the spring ensuring that it seats properly on the disc holder.

⚠ WARNING

The first check valve has a heavyweight spring. The second check valve has a lighter-weight spring. When reassembling the check valves, install the correct spring into the correct check valve.



10. Place the cover onto the spring with the internal guide on the cover positioned inside the end coil.
11. Screw the cover onto the valve body.
12. Tighten the cover using the appropriately sized wrench.
13. Service the second check valve using steps 2 to 12.
14. Slowly open shutoff valves.





Troubleshooting

SYMPTOM	CAUSE	SOLUTION
Check valve fails to hold 1.0 PSID minimum	Debris on check disc sealing surface	Disassemble and clean
	Leaking gate valve	Disassemble and clean or repair
	Damaged seat disc or seat O-ring	Disassemble and replace
	Damaged guide holding check open	Disassemble and clean or replace
	Weak or broken spring	Disassemble and replace spring
Chatter during flow conditions	Worn, damaged or defective guide	Disassemble and repair or replace guide
Low flows passing through mainline valve	Mainline check fouled	Disassemble and clean
	Meter strainer plugged	
	Damaged mainline seat disc or seat	Disassemble and replace
	Broken mainline spring	

Add-on and Retrofit Sensor Connection Kits for Building Management Systems

ORDERING CODE	ADD-ON/RETROFIT KIT	DESCRIPTION
88009418	 <p>FP-BF-BMS BMS Flood Sensor Connection Kit Series LF919 Sizes ½" to 2"</p>	Includes sensor activation module with cable, power adapter, and ground wire. Use this kit to activate the flood sensor and enable flood detection capabilities on the relief valve of a new installation in a BMS configuration.
88009423	 <p>FP-RFK-BF-BMS-CFS BMS Flood Sensor Retrofit Connection Kit Series LF919 Sizes ½" to 2"</p>	Includes flood sensor (2), sensor activation module with cable, power adapter, and ground wire. Use this kit to add flood detection capabilities to the relief valve of an existing installation in a BMS configuration.

Add-on and Retrofit Sensor Connection Kits for Cellular Communication

ORDERING CODE	ADD-ON/RETROFIT KIT	DESCRIPTION
88009420	 <p>FP-BF-CFS Cellular Flood Sensor Connection Kit Series LF919 Sizes ½" to 2"</p>	Includes sensor activation module with cable, Cellular Gateway with mounting kit, power adapter, and ground wire. Use this kit to activate the flood sensor and enable flood detection capabilities as well as e-mail, text, and voice notifications.
88009424	 <p>FP-RFK-BF-CFS Cellular Flood Sensor Retrofit Connection Kit Series LF919 Sizes ½" to 2"</p>	Includes flood sensor (2), sensor activation module with cable, Cellular Gateway with mounting kit, power adapter, and ground wire. Use this kit to add flood detection capabilities to the relief valve of an existing installation and enable e-mail, text, and voice notifications.

Limited Warranty: Watts (the "Company") warrants each product to be free from defects in material and workmanship under normal usage for a period of one year from the date of original shipment. In the event of such defects within the warranty period, the Company will, at its option, replace or recondition the product without charge.

THE WARRANTY SET FORTH HEREIN IS GIVEN EXPRESSLY AND IS THE ONLY WARRANTY GIVEN BY THE COMPANY WITH RESPECT TO THE PRODUCT. THE COMPANY MAKES NO OTHER WARRANTIES, EXPRESS OR IMPLIED. THE COMPANY HEREBY SPECIFICALLY DISCLAIMS ALL OTHER WARRANTIES, EXPRESS OR IMPLIED, INCLUDING BUT NOT LIMITED TO THE IMPLIED WARRANTIES OF MERCHANTABILITY AND FITNESS FOR A PARTICULAR PURPOSE.

The remedy described in the first paragraph of this warranty shall constitute the sole and exclusive remedy for breach of warranty, and the Company shall not be responsible for any incidental, special or consequential damages, including without limitation, lost profits or the cost of repairing or replacing other property which is damaged if this product does not work properly, other costs resulting from labor charges, delays, vandalism, negligence, fouling caused by foreign material, damage from adverse water conditions, chemical, or any other circumstances over which the Company has no control. This warranty shall be invalidated by any abuse, misuse, misapplication, improper installation or improper maintenance or alteration of the product.

Some States do not allow limitations on how long an implied warranty lasts, and some States do not allow the exclusion or limitation of incidental or consequential damages. Therefore the above limitations may not apply to you. This Limited Warranty gives you specific legal rights, and you may have other rights that vary from State to State. You should consult applicable state laws to determine your rights. **SO FAR AS IS CONSISTENT WITH APPLICABLE STATE LAW, ANY IMPLIED WARRANTIES THAT MAY NOT BE DISCLAIMED, INCLUDING THE IMPLIED WARRANTIES OF MERCHANTABILITY AND FITNESS FOR A PARTICULAR PURPOSE, ARE LIMITED IN DURATION TO ONE YEAR FROM THE DATE OF ORIGINAL SHIPMENT.**



USA: T: (978) 689-6066 • Watts.com

Canada: T: (888) 208-8927 • Watts.ca

Latin America: T: (62) 55-4122-0138 • Watts.com



Manuel d'installation, de maintenance et de réparation

Série LF919

Ensemble pour zones à pression réduite

1,3 cm à 5,1 cm (1/2 po à 2 po)

⚠ AVERTISSEMENT



Veillez lire ce manuel AVANT d'utiliser cet équipement.

Le fait de ne pas lire et de ne pas respecter toutes les informations relatives à la sécurité et à l'utilisation peut entraîner la mort, des blessures graves, des dommages matériels ou endommager l'équipement.

Conservez ce manuel pour toute référence ultérieure.

**LA SÉCURITÉ
AVANT
TOUT**

⚠ AVERTISSEMENT

Il se peut que les codes du bâtiment ou de plomberie locaux nécessitent des modifications aux informations fournies. Vous êtes tenu de consulter les codes du bâtiment et de plomberie locaux avant l'installation. Si les informations fournies ici ne sont pas compatibles avec les codes du bâtiment ou de plomberie locaux, les codes locaux prévalent. Ce produit doit être installé par un entrepreneur autorisé et respecter les codes et les ordonnances locaux.

⚠ AVERTISSEMENT

Besoin d'une inspection/d'une maintenance périodique :

Ce produit doit être testé périodiquement, conformément aux codes locaux, au moins une fois par an ou plus selon les conditions de service. Tous les produits doivent être testés à nouveau une fois la maintenance terminée. Un environnement avec des conditions d'eau corrosives et/ou des réglages ou des réparations non autorisés peuvent rendre le produit inefficace pour le service prévu. La vérification et le nettoyage réguliers des composants internes et externes du produit contribuent à assurer une durée de vie maximale et un fonctionnement adéquat du produit.

AVIS

En Australie et en Nouvelle-Zélande, les crépines de conduite doivent être installées entre le robinet d'arrêt en amont et l'entrée du dispositif antirefoulement.

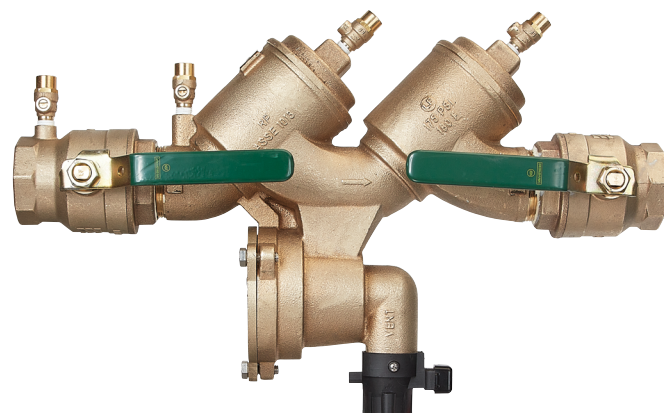
S'il est installé sur un système de gicleurs d'incendie, toutes les vérifications mécaniques, par ex., les alarmes et les dispositifs de prévention antirefoulement, doivent inclure une inspection et un test du débit en accord avec les normes NFPA 13 et/ou NFPA 25.

Essai

Pour la procédure d'essai sur le terrain, se référer aux feuilles d'installation de Watts IS-TK-DL, IS-TK-7, IS-TK-9A, IS-TK-99D, et IS-TK-99E sur www.watts.com.

Pour les autres trousse de réparation et pièces de rechange, reportez-vous à notre liste de prix des trousse de réparation et des pièces de rechange pour les produits de prévention antirefoulement PL-RP-BPD sur le site www.watts.com.

Pour le soutien technique, veuillez communiquer avec votre représentant Watts local.



LF919-QT avec capteur d'inondation

La série LF919 est équipée d'un capteur d'inondation qui déclenche la notification d'inondations potentielles en raison de décharges excessives de la vanne de décharge.

AVIS

Une trousse de raccordement supplémentaire est nécessaire pour activer le capteur d'inondation. Sans la trousse de raccordement, le capteur d'inondation est un composant passif qui ne communique avec aucun autre appareil. (Une trousse de modernisation de raccordement de capteur est également disponible pour les installations existantes. Voir « Trousse de connexion de capteur complémentaire et de modernisation » pour les détails de commande.)

AVIS

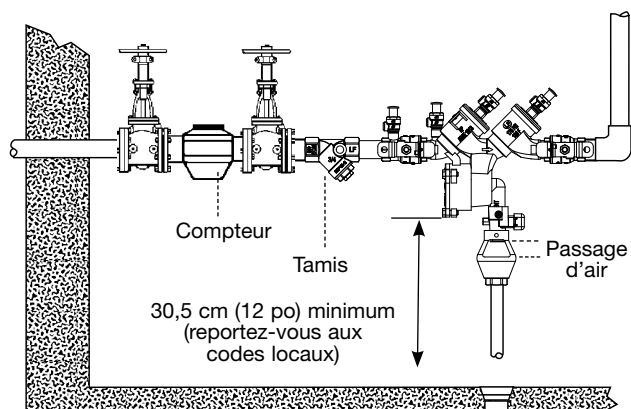
L'utilisation du capteur d'inondation ne remplace pas le besoin de se conformer à toutes les instructions, à tous les codes et à toute la réglementation requis liés à l'installation, au fonctionnement et à la maintenance de ce produit, y compris le besoin d'assurer un drainage approprié en cas d'évacuation.

Watts n'est pas responsable de la défaillance des alertes en raison de problèmes de connectivité ou de puissance.

Directives d'installation

À l'intérieur

Pour une installation à l'intérieur, assurez-vous que la série LF919 est accessible pour faciliter les essais et l'entretien. Ne pas installer l'ensemble dans un emplacement dissimulé. Si l'emplacement est parallèle et proche du mur, assurez-vous que les robinets d'essai sont accessibles et que la conduite de vidange peut décharger l'eau au besoin. Un passage d'air et une conduite d'évacuation sont raccordés au raccord de la soupape de décharge, ce qui permet de voir les signes de décharge et d'éviter l'apparition de dommages causés par l'eau. (Consultez ES-AG/EL/TC à l'adresse watts.com.)



À l'extérieur, au-dessus du sol

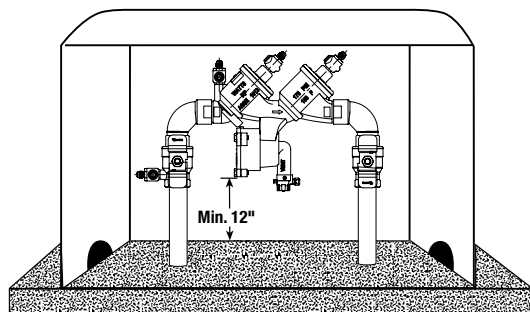
Pour les installations extérieures, installez la série LF919 en l'absence de conditions de gel et au-dessus du sol dans la mesure du possible.

Installez l'ensemble dans un emplacement accessible pour faciliter les essais et l'entretien. L'installation doit également permettre un drainage adéquat du passage d'air et de la conduite d'évacuation, au besoin.

⚠ AVERTISSEMENT

Ne laissez pas la conduite de vidange se vider directement dans un fossé de drainage, un système d'égout ou un puitsard.

N'installez pas l'assemblage dans un endroit où une partie de l'appareil pourrait être immergée dans l'eau stagnante.



Enceinte isolée WattsBox
Pour en savoir plus, téléchargez ES-WB.

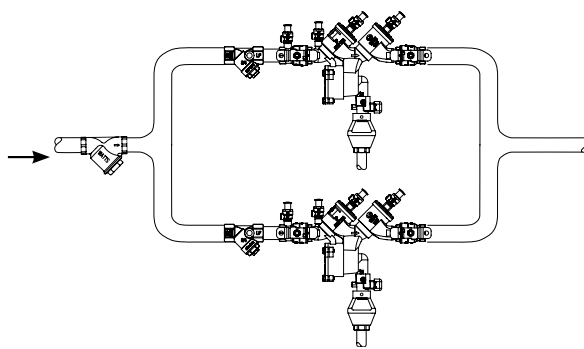
En parallèle

Pour les installations parallèles, deux ou plusieurs petits ensembles peuvent être installés (lorsqu'approuvés) pour servir un grand tuyau d'alimentation principal. Utilisez ce type d'installation dans une application où une capacité accrue au-delà de celle fournie par un robinet unique est requise. De plus, ce type d'installation permet de tester et/ou d'entretenir un robinet unique sans arrêter la conduite complète.

Le nombre d'unités installées en parallèle doit être déterminé par l'expertise de l'ingénieur, en fonction des conditions de fonctionnement d'une application spécifique.

AVIS

La capacité totale de toutes les unités installées dans l'application doit être égale ou supérieure à celle requise par le système.



- Robinet d'arrêt : Si vous retirez les robinets d'arrêt de l'ensemble, réassemblez le robinet d'arrêt avec le robinet d'essai monté sur le côté entrée de l'unité.
- Vérifiez les codes d'État et locaux pour vous assurer que l'ensemble est installé conformément aux codes, comme une hauteur appropriée au-dessus du sol.
- Recommandé : Installez une crépine avant l'ensemble pour protéger les composants internes contre l'encrassement inutile.

⚠ MISE EN GARDE

N'installez pas l'ensemble avec une crépine dans des conduites d'eau rarement utilisées, comme un système de gicleurs d'incendie qui n'est déployé que lors d'urgences.

Démarrage : Fermez l'arrêt en aval. Ouvrez lentement la vanne en amont et remplissez-la. Quand la soupape est pleine, ouvrez lentement le robinet en aval et remplissez le système d'alimentation en eau. Il convient d'agir ainsi pour éviter les coups de bélier ou les dommages causés par les chocs.

- Ventilez le passage d'air et la conduite de vidange de la soupape de décharge conformément aux exigences du code. Terminez l'évacuation à environ 30,5 cm (12 po) au-dessus du sol ou à travers un passage d'air raccordé à un drain de plancher.

⚠ AVERTISSEMENT

Ne laissez pas la conduite de vidange se vider directement dans un fossé de drainage, un système d'égout ou un puitsard.

AVIS

Débits de refoulement de la soupape de décharge. Le passage d'air et la conduite de vidange se terminant au-dessus d'un drain de plancher peuvent s'adapter à toute évacuation modérée ou nuisible à travers la soupape de décharge. Cependant, pour éviter les dégâts d'eau en cas de défaillance catastrophique, concevoir la taille du drain de plancher pour accommoder l'augmentation de l'évacuation. (Voir le tableau sur les débits typiques tels que dimensionnés par les fabricants d'avaloir de sol, page 3.)

AVIS

Veillez à ne pas réduire la taille de la conduite de vidange à partir du raccord entrefer. La conduite de vidange doit demeurer à la taille de la conduite complète.

- E. Après l'installation initiale de l'ensemble, une décharge de la soupape de décharge peut se produire en raison de la saleté et des composés de tuyau. Cela peut être causé par un rinçage initial inadéquat des conduites. Si le rinçage de la vanne ne permet pas de dégager l'unité, retirer le premier clapet antiretour et le nettoyer soigneusement, en suivant les procédures de la section « Entretien des premier et deuxième clapets antiretour ».

AVIS

Une décharge périodique de la soupape de décharge peut se produire sur les applications de service en bout de ligne, comme les conduites d'alimentation de chaudières ou les conduites d'appoint de tours de refroidissement. Cela peut être dû à la fluctuation de la pression d'alimentation lors d'une situation statique ou à l'absence de débit. Pour éviter cette décharge, installer un clapet antiretour à ressort et à siège en caoutchouc placé en amont de l'ensemble de refoulement.

- F. Évitez de placer l'ensemble dans une fosse ou à une profondeur inférieure au niveau du sol, à moins que cela ne soit absolument nécessaire. Si une installation nécessite une installation sous le niveau du sol, une installation de fosse modifiée est recommandée, ainsi que l'approbation des codes locaux. Dans de tels cas, des dispositions doivent être prises pour toujours ventiler la conduite d'évacuation au-dessus du niveau d'inondation. Dans le cas d'un drain de fosse, assurez-vous qu'il y a un passage d'air adéquat entre le bas de la conduite de vidange et le bas de la fosse.

- G. Inspectez régulièrement l'ensemble pour vérifier s'il y a une décharge de la soupape de décharge. Cette décharge est une indication visuelle que la vanne doit être nettoyée ou réparée. Tester également périodiquement la vanne conformément aux codes locaux pour assurer son bon fonctionnement.

L'évent de décharge évacue l'eau pendant les périodes sans débit dans les cas suivants :

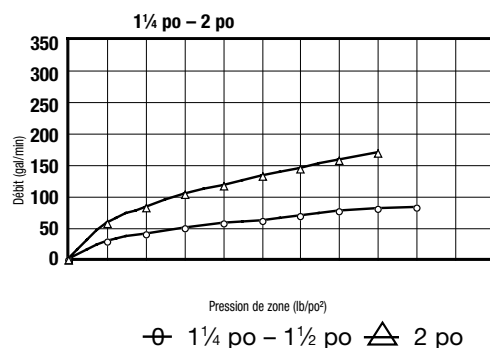
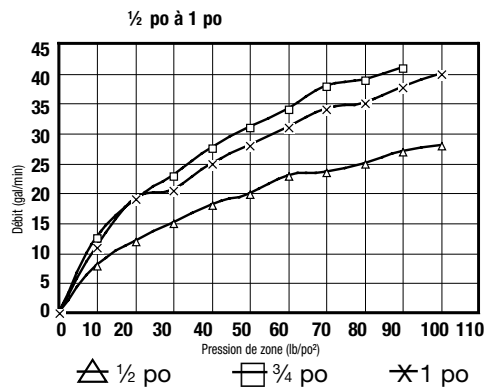
- Le premier clapet antiretour est encrassé.
- La pression d'entrée du clapet antiretour chute suffisamment en raison des fluctuations de pression en amont. Cela affecte le différentiel de fonctionnement requis entre la pression d'entrée et la zone de pression réduite.
- Le deuxième clapet est encrassé pendant le refoulement d'urgence ou résultant d'un coup de bélier.

Pour en savoir plus, téléchargez le Guide de dépannage S-TSG.

AVIS

Lors de l'installation de l'ensemble sur les systèmes de prévention des incendies, des considérations spéciales sont requises.

Installations du système de protection contre les incendies : Les directives de la National Fire Protection Agency (NFPA) exigent qu'un test de débit de confirmation soit effectué par un testeur certifié chaque fois qu'une vanne de « conduite principale » est installée, comme une vanne d'arrêt ou un dispositif antirefoulement.



DÉBITS TYPES SELON LES DIMENSIONS PAR LES FABRICANTS DE SIPHONS DE SOL

2 po 55 gal/min	5 po 350 gal/min
3 po 112 gal/min	6 po 450 gal/min
4 po 170 gal/min	8 po 760 gal/min

Entretien de la soupape de décharge

⚠ AVERTISSEMENT Dépressurisez la vanne avant tout entretien ou réparation.

Aucun outil spécial n'est requis pour l'entretien de l'ensemble.

Avant l'entretien, fermer l'eau ou fermer les robinets d'arrêt.

Retirez le capteur d'inondation et le module d'activation si la sortie de la soupape de décharge doit être nettoyée des débris.

Les procédures suivantes fournissent des informations sur le remplacement du diaphragme, du disque de la soupape de décharge et du siège de la soupape de décharge. Inspectez visuellement ces pièces pour déterminer si un remplacement ou un nettoyage est nécessaire.

Démontage de la soupape de décharge

1. Retirez les boulons du couvercle de la soupape de décharge tout en maintenant le couvercle vers le bas.
2. Tournez le couvercle d'un quart dans le sens antihoraire et soulevez-le tout en appliquant une pression sur le couvercle avec votre main.

⚠ AVERTISSEMENT

Appliquez une pression sur le couvercle en le soulevant directement. En raison du relâchement de la pression lors du retrait du couvercle, le ressort de décharge de soupape peut s'éjecter rapidement.

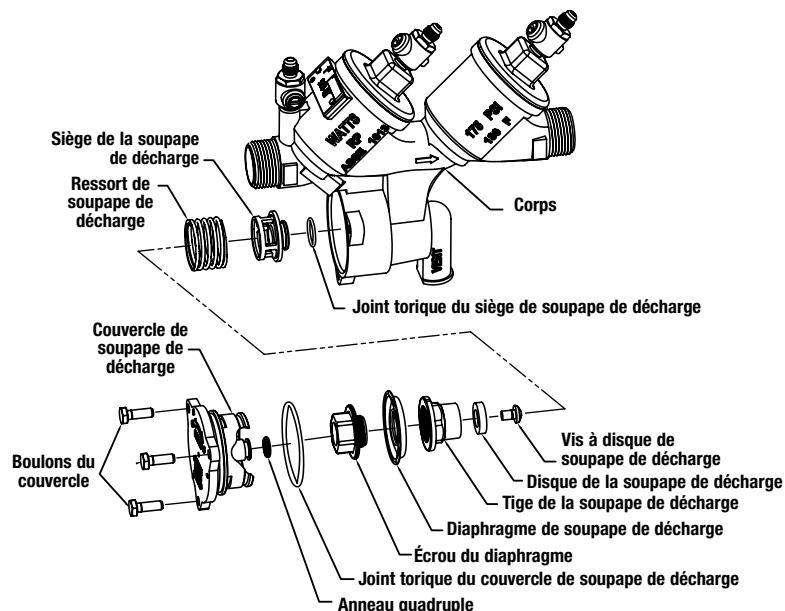
3. Retirez l'ensemble de soupape de décharge (comprend le joint torique du couvercle, la tige et le diaphragme).
4. Retirez le ressort de la soupape de décharge.
5. Retirez le siège de la soupape de décharge à pression et le joint torique du siège.

Remplacement du diaphragme

1. À l'aide d'une clé, desserrez l'ensemble du diaphragme en tournant le boulon hexagonal dans le sens antihoraire.
2. Retirez le diaphragme et remplacez-le par un diaphragme neuf si nécessaire, ou nettoyez le diaphragme existante. La partie moulée du diaphragme doit pointer vers le bas vers la tige de la soupape de décharge.
3. À l'aide d'une clé, réassemblez l'ensemble du diaphragme en tournant le boulon hexagonal dans le sens horaire pour le serrer.

Remplacement du disque et du siège de la soupape de décharge

1. À l'aide d'un tournevis cruciforme, retirez la vis du disque de la soupape de décharge et remplacez-le si nécessaire, ou nettoyez le disque existant.
2. Remplacez la vis dans le disque de la soupape de décharge et serrez-la.
3. Remplacez le siège de la soupape de décharge par un nouveau siège si nécessaire, ou nettoyez le siège existant.



Remontage de la soupape de décharge

1. Remplacez le siège de la soupape de décharge dans l'alésage de la chambre.
2. Glissez le diaphragme dans le siège de la soupape de décharge.
3. Placez le ressort sur le diaphragme.
4. Placez le joint torique du couvercle sur le diaphragme.
5. Alignez les rainures sur le couvercle de la soupape de décharge avec les rainures dans le corps de la soupape de décharge, puis tournez le couvercle d'un quart dans le sens horaire pour le mettre en place.
6. À l'aide d'une clé, remplacez les boulons dans le couvercle et serrez-les.

⚠ MISE EN GARDE

Si le couvercle ne repose pas à plat contre le corps de la soupape de décharge, l'ensemble du diaphragme n'est pas installé correctement et des dommages peuvent en résulter. Retirez les boulons et le couvercle, réalignez l'ensemble du diaphragme et remplacez le couvercle sur le corps de la soupape de décharge.

7. Réinstallez le capteur d'inondation et le module d'activation si le retrait était nécessaire.
8. Ouvrir les robinets d'arrêt.

Entretien des premier et deuxième clapets antiretour

⚠ AVERTISSEMENT Dépressurisez la vanne avant tout entretien ou réparation.

Aucun outil spécial n'est requis pour l'entretien de la série.

Avant de procéder à l'entretien, assurez-vous que l'eau est fermée ou que les robinets d'arrêt sont fermés.

1. Fermez les robinets d'arrêt en amont et en aval de la vanne.
2. À l'aide d'une clé de taille appropriée, desserrez le couvercle du clapet antiretour. Dévissez le couvercle du clapet antiretour et soulevez-le.
3. Retirez le ressort.
4. Soulevez le porte-disque du corps de la vanne.
5. Pour inversez le disque du siège, dévissez la vis du disque et démontez la rondelle du disque et le caoutchouc du disque de l'ensemble du support de disque. Inversez le caoutchouc du disque de sorte que la face opposée soit visible.
6. Assemblez la vis à disque à travers la rondelle à disque et le caoutchouc du disque, et vissez-la dans le support de disque.
7. Pour remplacer le module de siège, tirez le module de siège hors du corps en saisissant la bague de renforcement. Remplacez le module du siège par le nouveau siège en le plaçant dans l'alésage du siège du corps.

AVIS

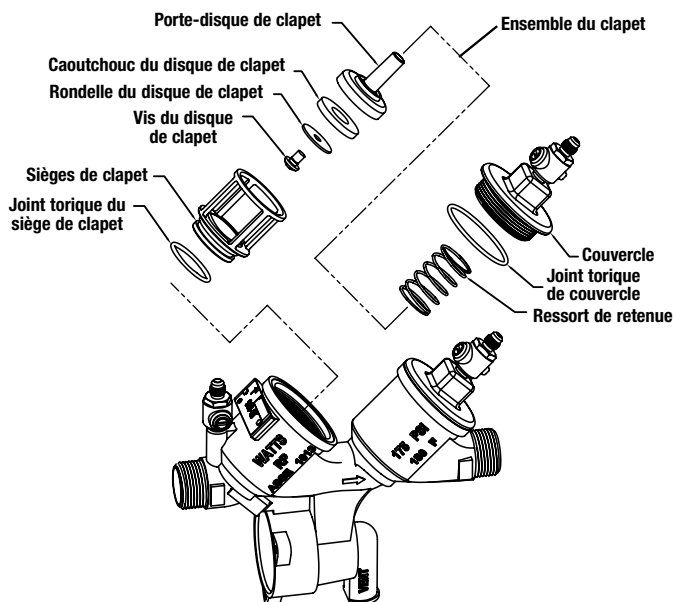
Lorsque le couvercle est serré à l'étape 12, il est engagé correctement avec le module du siège.

8. Réinsérez l'ensemble porte-disque dans le module du siège.
9. Remplacez le ressort en vous assurant qu'il est bien en place sur le porte-disque.

⚠ AVERTISSEMENT

Le premier clapet antiretour est doté d'un ressort lourd. Le deuxième clapet antiretour est doté d'un ressort plus léger. Lors du remontage des clapets antiretour, installez le ressort approprié dans le bon clapet antiretour.



10. Placez le couvercle sur le ressort avec le guide interne sur le couvercle positionné à l'intérieur de la bobine d'extrémité.
11. Vissez le couvercle sur le corps de la vanne.
12. Serrez le couvercle à l'aide d'une clé de taille appropriée.
13. Effectuez l'entretien du deuxième clapet antiretour en suivant les étapes 2 à 12.
14. Ouvrez lentement les robinets d'arrêt.





Dépannage

SYMPTÔME	CAUSE	SOLUTION
Le clapet antiretour ne retient pas une pression minimale différentielle de 1,0 lb/po ² .	Débris sur la surface d'étanchéité du disque de contrôle	Démontez et nettoyez
	Fuite du robinet-vanne	Démontez et nettoyez ou réparez
	Disque de siège ou joint torique de siège endommagé	Démontez et remplacez
	Guide endommagé maintenant le clapet ouvert	Démontez et nettoyez ou remplacez
	Ressort faible ou cassé	Démontez et remplacez le ressort
Claquement pendant les conditions de débit	Guide usé, endommagé ou défectueux	Démontez et réparez ou remplacez le guide
Faibles débits passant par la vanne de la ligne principale	Clapet antiretour de ligne principale encrassé	Démontez et nettoyez
	Crépine de compteur bouchée	
	Disque de siège ou siège de la ligne principale endommagé	Démontez et remplacez
	Ressort de ligne principale cassé	

Trousses de raccordement de capteur complémentaire et de modernisation pour les systèmes de gestion de bâtiment

CODE DE COMMANDE	TROUSSE D'AJOUT/DE MODERNISATION	DESCRIPTION
88009418	 <p>FP-BF-BMS Trousse de raccordement du capteur d'inondation BMS Série LF919 Tailles 1,3 cm à 5,1 cm (½ po à 2 po)</p>	Comprend un module d'activation de capteur avec câble, un adaptateur d'alimentation et un fil de mise à la terre. Utilisez cette trousse pour activer le capteur d'inondation et activer la fonctionnalité de détection des inondations sur la soupape de décharge lors d'une nouvelle installation dans une configuration BMS.
88009423	 <p>FP-RFK-BF-BMS-CFS Trousse de raccordement de modernisation de capteur d'inondation BMS Série LF919 Tailles 1,3 cm à 5,1 cm (½ po à 2 po)</p>	Comprend deux (2) capteurs d'inondation, un module d'activation de capteur avec câble, un adaptateur d'alimentation et un fil de mise à la terre. Utilisez cette trousse pour ajouter des capacités de détection d'inondation à la soupape de décharge d'une installation existante dans une configuration BMS.

Trousses de raccordement de capteur complémentaire et de modernisation pour communication cellulaire

CODE DE COMMANDE	TROUSSE D'AJOUT/DE MODERNISATION	DESCRIPTION
88009420	 <p>FP-BF-CFS Trousse de raccordement pour capteur d'inondation cellulaire Série LF919 Tailles 1,3 cm à 5,1 cm (½ po à 2 po)</p>	Comprend un module d'activation de capteur avec câble, une passerelle cellulaire avec trousse de montage, un adaptateur d'alimentation et un fil de mise à la terre. Utilisez cette trousse pour activer le capteur d'inondation et activer les capacités de détection des inondations et les notifications par courriel, message texte et vocal.
88009424	 <p>FP-RFK-BF-CFS Trousse de raccordement de modernisation de capteur d'inondation cellulaire Série LF919 Tailles 1,3 cm à 5,1 cm (½ po à 2 po)</p>	Comprend deux (2) capteurs d'inondation, un module d'activation de capteur avec câble, une passerelle cellulaire avec trousse de montage, un adaptateur d'alimentation et un fil de mise à la terre. Utilisez cette trousse pour ajouter des capacités de détection des inondations à la soupape de décharge d'une installation existante et activer les notifications par courriel, message texte et vocal.

Garantie limitée : Watts (la « Société ») garantit que chacun de ses produits est exempt de vice de matériau et de fabrication dans des conditions normales d'utilisation pour une période d'un an à compter de la date d'expédition d'origine. Si une telle défaillance devait se produire au cours de la période sous garantie, la Société pourra, à sa discrétion, remplacer le produit ou le remettre en état, sans frais.

LA PRÉSENTE GARANTIE EST DONNÉE EXPRESSÉMENT ET CONSTITUE LA SEULE GARANTIE DONNÉE PAR LA SOCIÉTÉ EN CE QUI CONCERNE LE PRODUIT. LA SOCIÉTÉ NE FORMULE AUCUNE AUTRE GARANTIE, EXPRESSE OU IMPLICITE. LA SOCIÉTÉ DÉCLINE AUSSI FORMELLEMENT PAR LA PRÉSENTE TOUTE AUTRE GARANTIE, EXPRESSE OU IMPLICITE, Y COMPRIS MAIS SANS S'Y LIMITER, LES GARANTIES IMPLICITES DE QUALITÉ MARCHANDE ET D'APTITUDE À UN USAGE PARTICULIER.

Le dédommagement précisé dans le premier paragraphe de cette garantie constitue la seule et unique alternative en cas de service demandé au titre de cette garantie et la Société ne pourra pas être tenue responsable de dommages accessoires, spéciaux ou indirects, incluant mais sans s'y limiter : pertes de profit, coûts de réparation ou de remplacement des autres biens ayant été endommagés si ce produit ne fonctionne pas correctement, autres coûts afférents aux frais de main-d'œuvre, de retards, de vandalisme, de négligence, d'engorgement causés par des corps étrangers, de dommages causés par des conditions défavorables en matière d'eau, de produits chimiques ou toute autre circonstance indépendante de la volonté de la Société. La présente garantie est déclarée nulle et non avenue en cas d'usage abusif ou incorrect, d'application, d'installation ou de maintenance incorrectes ou de modification du produit.

Certains États n'autorisent pas les limitations de durée d'une garantie tacite, ni l'exclusion ou la limitation des dommages accessoires ou indirects. En conséquence, les limitations susmentionnées pourraient ne pas s'appliquer à votre cas. Cette garantie limitée vous confère des droits spécifiques reconnus par la loi; vous pourriez également avoir d'autres droits, lesquels varient d'un État à l'autre. Vous devez donc prendre connaissance des lois d'État applicables pour déterminer vos droits. **DANS LA MESURE OÙ CELA EST COMPATIBLE AVEC LA LÉGISLATION DE L'ÉTAT APPLICABLE, TOUTE GARANTIE IMPLICITE QUI NE PEUT ÊTRE EXCLUE, Y COMPRIS LES GARANTIES IMPLICITES DE QUALITÉ MARCHANDE ET D'ADÉQUATION À UN USAGE PARTICULIER, EST LIMITÉE À UN AN À COMPTER DE LA DATE D'EXPÉDITION D'ORIGINE.**



É.-U. : Tél. : 978 689-6066 • Watts.com

Canada : Tél. : 888 208-8927 • Watts.ca

Amérique latine : Tél. : (52) 55-4122-0138 • Watts.com

Manual de instalación, mantenimiento y reparación

Serie LF919

Ensamble de zona de presión reducida

½ in a 2 in (1.2 cm a 5 cm)

⚠ ADVERTENCIA



Lea este manual ANTES de utilizar este equipo.

No leer ni seguir toda la información de seguridad y uso puede provocar la muerte, lesiones físicas graves, daños a la propiedad o al equipo.

Guarde este manual para futuras consultas.



⚠ ADVERTENCIA

Los reglamentos locales de construcción o plomería pueden requerir modificaciones a la información proporcionada. Debe consultar los reglamentos locales de construcción y plomería antes de realizar la instalación. Si la información proporcionada aquí no es consistente con los reglamentos locales de construcción o plomería, se deben seguir los reglamentos locales. Este producto debe ser instalado por un contratista autorizado de acuerdo con los reglamentos y ordenanzas locales.

⚠ ADVERTENCIA

Se requiere inspección y mantenimiento periódicos:

Este producto se debe probar periódicamente de conformidad con los reglamentos locales y al menos una vez al año o más, según lo requieran las condiciones de servicio. Todos los productos deben probarse nuevamente una vez que se haya realizado el mantenimiento. Las condiciones corrosivas del agua y/o los ajustes o reparaciones no autorizados podrían hacer que el producto sea ineficaz para el servicio previsto. La verificación y limpieza regular de los componentes internos y externos del producto ayudan a garantizar la máxima vida útil y el funcionamiento adecuado del producto.

AVISO

Para Australia y Nueva Zelanda, se deben instalar coladores de línea entre la válvula de cierre de aguas arriba y la entrada del dispositivo de prevención de reflujo.

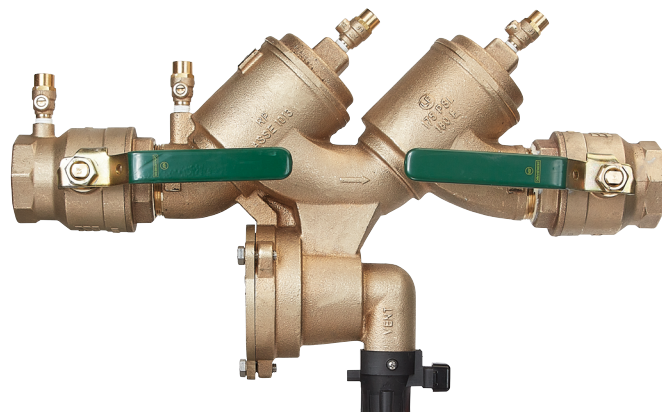
Si se instala en un sistema de rociadores contra incendios, todas las verificaciones mecánicas, como la verificación de alarmas y los inhibidores de reflujo deben probarse con flujo e inspeccionarse internamente de acuerdo con las normas NFPA 13 y NFPA 25.

Pruebas

Para el procedimiento de prueba de campo, consulte las hojas de instalación IS-TK-DL, IS-TK-7, IS-TK-9A, IS-TK-99D, e IS-TK-99E en www.watts.com.

Para otros kits de reparación y piezas de repuesto, consulte los kits de reparación de productos para prevención de flujo de retorno y la lista de precios de piezas de servicio PL-RP-BPD en www.watts.com.

Para obtener asistencia técnica, póngase en contacto con su representante local de Watts.



LF919-QT con sensor de inundación

La serie LF919 está equipada con un sensor de inundación que activa la notificación de posibles eventos de inundación por descargas excesivas de la válvula de alivio.

AVISO

Se requiere un kit de conexión adicional para activar el sensor de inundaciones. Sin el kit de conexión, el sensor de inundaciones es un componente pasivo sin comunicación con ningún otro dispositivo. (También hay disponible un kit de conexión de sensor de retroadaptación para instalaciones existentes. Consulte "Kits de conexión de sensor de complemento y retroadaptación" para obtener detalles sobre el pedido.)

AVISO

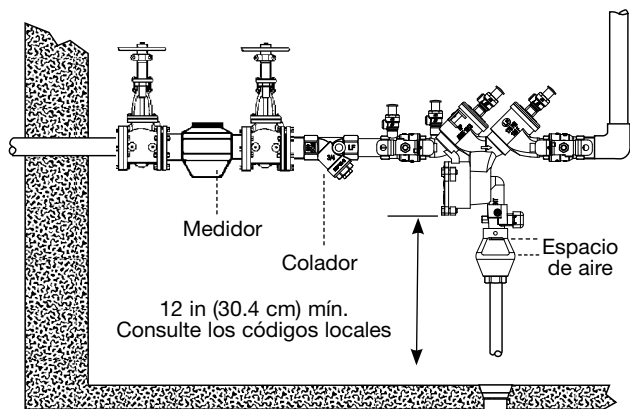
El uso del sensor de inundaciones no sustituye la necesidad de cumplir con todas las instrucciones, códigos y regulaciones requeridas relacionadas con la instalación, el funcionamiento y el mantenimiento de este producto, incluida la necesidad de proporcionar un drenaje adecuado en caso de descarga.

Watts no asume responsabilidad por fallas de las alertas debido a problemas de conectividad o de alimentación.

Pautas de instalación

Interiores

Para la instalación en interiores, asegúrese de que la Serie LF919 sea accesible para facilitar las pruebas y el mantenimiento. No instale el ensamblaje en un lugar oculto. Si la ubicación es paralela y cercana a la pared, asegúrese de que las llaves de prueba sean accesibles y de que la línea de drenaje pueda descargar agua si es necesario. Un espacio de aire y una línea de drenaje se canalizan desde la conexión de la válvula de alivio, lo que permite ver evidencias de descarga y evitar que se produzcan daños por agua. (Consulte ES-AG/EL/TC en watts.com).



Exterior, por encima del suelo

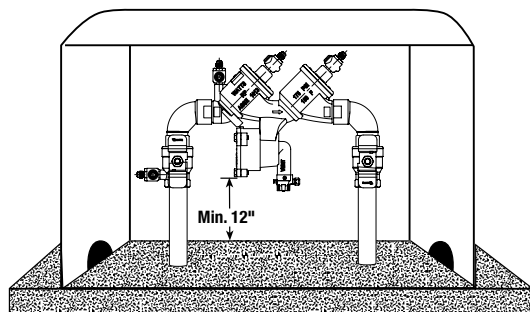
Para instalaciones en exteriores, instale la Serie LF919 donde no haya condiciones de congelación y sobre el suelo siempre que sea posible.

Instale el ensamblaje en un lugar accesible para facilitar las pruebas y el mantenimiento. La instalación también debe permitir un drenaje adecuado desde el espacio de aire y la línea de descarga si es necesario.

⚠ ADVERTENCIA

No permita que la línea de drenaje se vacíe directamente en una zanja de drenaje, sistema de alcantarillado o sumidero.

No instale el ensamblaje en ningún lugar donde cualquier parte de la unidad pueda sumergirse en agua estancada.



Compartimento aislado WattsBox

Para obtener más información, descargue ES-WB.

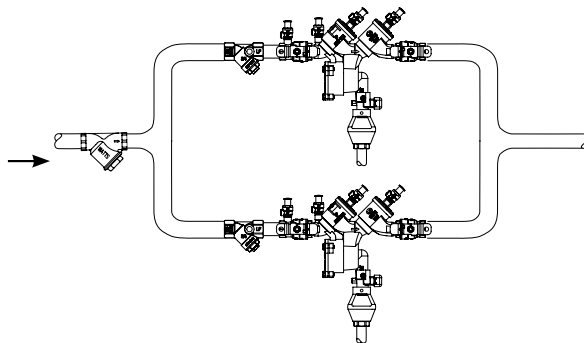
Paralelo

Para instalaciones en paralelo, se pueden instalar dos o más conjuntos de tamaño pequeño (cuando se apruebe) para servir a una tubería principal de suministro grande. Utilice este tipo de instalación en una aplicación en la que se requiera una mayor capacidad que la proporcionada por una sola válvula. Además, este tipo de instalación permite la prueba y/o el mantenimiento de una sola válvula sin cerrar la línea completa.

El número de unidades instaladas en paralelo debe determinarse según el criterio del ingeniero, en función de las condiciones de funcionamiento de una aplicación específica.

AVISO

La capacidad total de todas las unidades instaladas en la aplicación debe ser igual o superior a la requerida por el sistema.



- A. Válvulas de cierre: Si retira las válvulas de cierre del ensamblaje, vuelva a montar la válvula de cierre con la llave de prueba montada en el lado de entrada de la unidad.
- B. Compruebe los códigos estatales y locales para asegurarse de que el ensamblaje esté instalado de acuerdo con los códigos, como la altura adecuada sobre el suelo.
- C. Recomendado: Instale un filtro delante del ensamblaje para proteger los componentes internos de incrustaciones innecesarias.

⚠ PRECAUCIÓN

No instale el ensamblaje con un filtro en líneas de agua poco usadas, como un sistema de rociadores contra incendios que solo se despliega durante emergencias.

Arranque: Cierre el bloqueo aguas abajo. Abra lentamente el flujo ascendente y llene la válvula. Cuando la válvula esté llena, abra lentamente el bloqueo de aguas abajo y llene el sistema de suministro de agua. Esto es necesario para evitar golpes de ariete y/o daños por golpes.

- D. Ventile el espacio de aire y la línea de drenaje de la válvula de alivio de acuerdo con los requisitos del código. Termine la descarga aproximadamente 12 in (30 cm) por encima del suelo o a través de un espacio de aire conectado a un drenaje del suelo.

⚠ ADVERTENCIA

No permita que la línea de drenaje se vacíe directamente en una zanja de drenaje, sistema de alcantarillado o sumidero.

AVISO

Velocidades de descarga de la válvula de alivio. El espacio de aire y la línea de drenaje que terminan por encima de un drenaje de suelo pueden manejar cualquier descarga moderada o salpicaduras molestas a través de la válvula de alivio. Sin embargo, para evitar daños por agua en caso de fallo catastrófico, diseñe el tamaño del desagüe del suelo para que se adapte al aumento de la descarga. (Consulte la tabla sobre los caudales típicos según el tamaño de los fabricantes de desagües de suelo, página 3.)

AVISO

No reduzca el tamaño de la línea de drenaje del empalme de espacio de aire. La línea de drenaje debe permanecer en tamaño completo.

- E. Después de la instalación inicial del ensamblaje, puede producirse una descarga de la válvula de alivio debido a la suciedad y los compuestos de la tubería. Esto puede deberse a un lavado inicial inadecuado de las tuberías. Si el lavado de la válvula no elimina la unidad, retire la primera válvula de retención y límpiela a fondo, siguiendo los procedimientos descritos en “Mantenimiento de las primeras y segundas válvulas de retención”.

AVISO

La descarga periódica de la válvula de alivio puede ocurrir en aplicaciones de servicio sin salida, como líneas de alimentación de calderas o líneas de composición de torres de enfriamiento. Esto puede deberse a la fluctuación de la presión de suministro durante una condición estática o sin flujo. Para evitar esta descarga, instale una válvula de retención de goma con resorte delante del conjunto de reflujo.

- F. Evite colocar el conjunto en un foso o a una profundidad por debajo del nivel del suelo, a menos que sea absolutamente necesario. Si una instalación requiere una instalación por debajo del nivel del suelo, se recomienda una instalación en foso modificada, así como la aprobación de los códigos locales. En tales casos, se debe hacer lo necesario para ventilar siempre la línea de drenaje por encima del nivel de inundación. En el caso de un drenaje de pozo, asegúrese de que haya un espacio de aire adecuado entre la parte inferior de la línea de drenaje y la parte inferior del pozo.
- G. Inspeccione periódicamente el conjunto para comprobar si hay alguna descarga de la válvula de alivio. Esta descarga es una indicación visual de que la válvula necesita limpieza o reparación. Pruebe también la válvula periódicamente de acuerdo con los códigos locales para garantizar su correcto funcionamiento.

El respiradero de alivio descarga agua durante los períodos sin flujo en los siguientes casos:

- La primera válvula de retención está sucia.
- La presión de entrada a la válvula de retención disminuye lo suficiente debido a las fluctuaciones de presión aguas arriba. Esto afecta al diferencial de funcionamiento requerido entre la presión de entrada y la zona de presión reducida.
- La segunda válvula se ensucia durante el reflujo de emergencia o es el resultado de una condición de golpe de ariete.

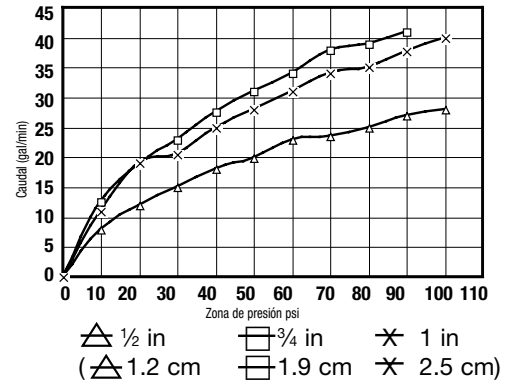
Para obtener más información, descargue la Guía de resolución de problemas S-TSG.

AVISO

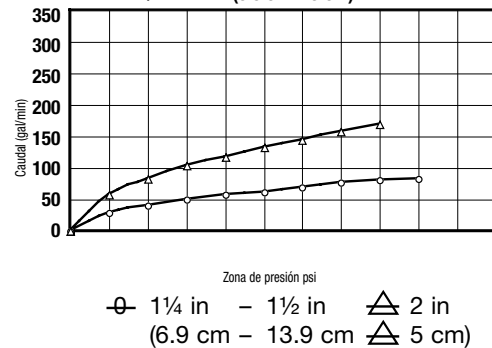
Al instalar el conjunto en sistemas de prevención de incendios, se requieren consideraciones especiales.

Instalaciones del sistema de protección contra incendios: Las pautas de la Agencia Nacional de Protección contra Incendios (National Fire Protection Agency, NFPA) exigen que un probador certificado realice una prueba de flujo de confirmación siempre que se instale una válvula de “línea principal”, como una válvula de cierre o un dispositivo de prevención de reflujo.

½ in – 1 in (1.2 cm – 2.5 cm)



1¼ in – 2 in (6.9 cm – 5 cm)



FLUJOS TÍPICOS SEGÚN EL TAMAÑO DE LOS FABRICANTES DE DESAGÜES DE SUELO

2 in (5 cm) 55 gal/min (208 l/min)	5 in (12 cm) 350 gal/min (1325 l/m)
3 in (7.6 cm) 112 gal/min (424 l/min)	6 in (15.2 cm) 450 gal/min (1703 l/min)
4 in (10 cm) 170 gal/min (644 l/min)	8 in (20.3 cm) 760 gal/min (2877 l/min)

Mantenimiento de la válvula de alivio

⚠ ADVERTENCIA Despresurice la válvula antes de realizar el mantenimiento o la reparación.

No se necesitan herramientas especiales para realizar el mantenimiento del ensamblaje.

Antes de realizar tareas de mantenimiento, apague el agua o cierre las válvulas de cierre.

Retire el sensor de inundación y el módulo de activación si es necesario limpiar la salida de la válvula de alivio de residuos.

Los siguientes procedimientos proporcionan información para reemplazar el diafragma, el disco de la válvula de alivio y el asiento de la válvula de alivio. Inspeccione visualmente estas piezas para determinar si es necesario sustituirlas o limpiarlas.

Desmontaje de la válvula de alivio

1. Retire los pernos de la tapa de la válvula de alivio mientras mantiene la tapa hacia abajo.
2. Gire la cubierta un cuarto en sentido contrario a las manecillas del reloj y levántela directamente mientras sigue aplicando presión a la cubierta con la mano.

⚠ ADVERTENCIA

Aplique presión a la cubierta mientras la levanta directamente. Debido a la liberación de presión al retirar la cubierta, el resorte de la válvula de alivio puede expulsarse rápidamente.

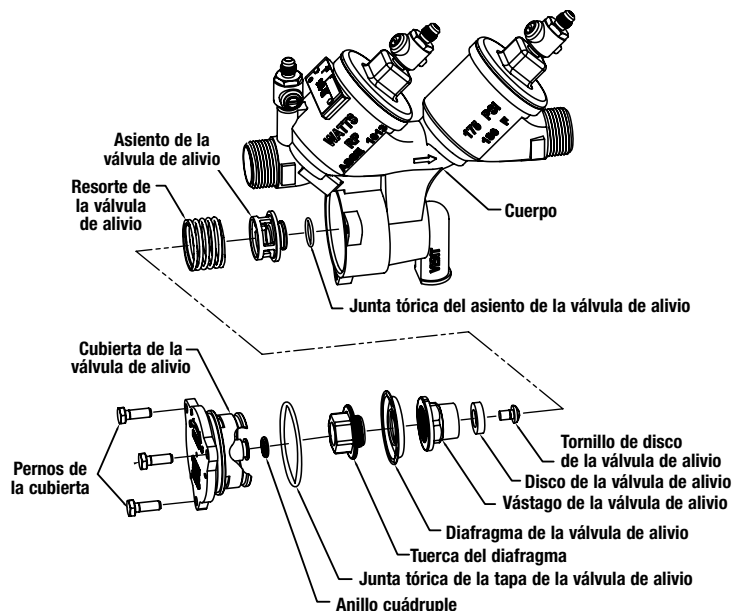
3. Retire el conjunto de la válvula de alivio (incluye la junta tórica de la cubierta, el conjunto del vástago y el diafragma).
4. Retire el resorte de la válvula de alivio.
5. Retire el asiento de la válvula de alivio a presión y la junta tórica del asiento.

Sustitución del diafragma

1. Con una llave, afloje el conjunto del diafragma girando el perno hexagonal en sentido contrario a las manecillas del reloj.
2. Retire el diafragma y sustitúyalo por uno nuevo si es necesario, o limpie el diafragma existente. El escalón moldeado del diafragma debe apuntar hacia abajo, hacia el vástago de la válvula de alivio.
3. Con una llave, vuelva a montar el conjunto del diafragma girando el perno hexagonal en el sentido de las manecillas del reloj para apretarlo.

Sustitución del disco y el asiento de la válvula de alivio

1. Con un destornillador Phillips, retire el tornillo del disco de la válvula de alivio y sustituya el disco si es necesario, o limpie el disco existente.
2. Vuelva a colocar el tornillo en el disco de la válvula de alivio y apriételo.
3. Sustituya el asiento de la válvula de alivio por un asiento nuevo si es necesario, o limpie el asiento existente.



Reensamblaje de la válvula de alivio

1. Vuelva a colocar el asiento de la válvula de alivio en el orificio de la cámara.
2. Deslice el conjunto del diafragma en el asiento de la válvula de alivio.
3. Coloque el resorte en el conjunto del diafragma.
4. Coloque la junta tórica de la cubierta en el conjunto del diafragma.
5. Alinee las ranuras de la cubierta de la válvula de alivio con las ranuras del cuerpo de la válvula de alivio y gire la cubierta en sentido horario un cuarto para asentar la cubierta.
6. Con una llave, vuelva a colocar los pernos en la cubierta y apriételos.

⚠ PRECAUCIÓN

Si la cubierta no queda plana contra el cuerpo de la válvula de alivio, el conjunto del diafragma no está instalado correctamente y puede dañarse. Retire los pernos y la cubierta, vuelva a alinear el conjunto del diafragma y vuelva a colocar la cubierta en el cuerpo de la válvula de alivio.

7. Vuelva a instalar el sensor de inundación y el módulo de activación si fuera necesario retirarlo.
8. Abra las válvulas de cierre.

Mantenimiento de las primeras y segundas válvulas de retención

⚠ ADVERTENCIA Despresurice la válvula antes de realizar el mantenimiento o la reparación.

No se necesitan herramientas especiales para realizar el mantenimiento de la serie.

Antes de realizar tareas de mantenimiento, asegúrese de que el agua esté apagada o de que las válvulas de cierre estén cerradas.

1. Cierre las válvulas de cierre aguas arriba y abajo de la válvula.
2. Con una llave del tamaño adecuado, afloje la tapa de la válvula de retención. Desenrosque la tapa de la válvula de retención y levántela.
3. Retire el muelle.
4. Levante el conjunto del soporte del disco del cuerpo de la válvula.
5. Para invertir el disco de asiento, desenrosque el tornillo del disco y desmonte la arandela del disco y la goma del disco del conjunto del soporte del disco. Invierta la goma del disco para que se muestre la cara opuesta.
6. Monte el tornillo del disco a través de la arandela del disco y la goma del disco, y enrósquelo en el soporte del disco.
7. Para reemplazar el módulo del asiento, tire del módulo del asiento para sacarlo del cuerpo agarrándolo por el anillo de refuerzo. Vuelva a colocar el módulo del asiento con el nuevo asiento colocándolo en el orificio del asiento del cuerpo.

AVISO

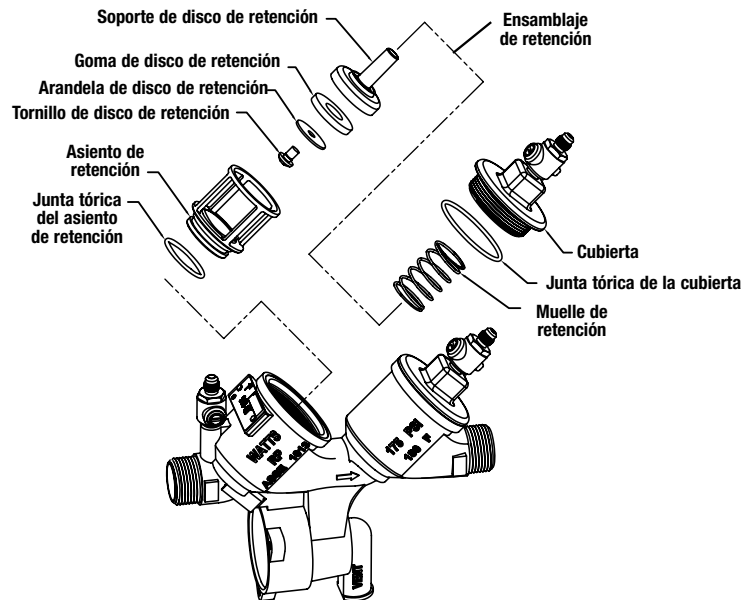
Cuando se aprieta la cubierta en el paso 12, la cubierta se acopla correctamente con el módulo del asiento.

8. Vuelva a insertar el conjunto del soporte del disco en el módulo de asiento.
9. Sustituya el muelle asegurándose de que se asiente correctamente en el soporte del disco.

⚠ ADVERTENCIA

La primera válvula de retención tiene un resorte pesado. La segunda válvula de retención tiene un resorte más liviano. Cuando vuelva a montar las válvulas de retención, instale el resorte correcto en la válvula de retención correcta.



10. Coloque la cubierta sobre el muelle con la guía interna sobre la cubierta colocada dentro de la bobina terminal.
11. Enrosque la cubierta en el cuerpo de la válvula.
12. Apriete la cubierta con la llave del tamaño adecuado.
13. Realice el mantenimiento de la segunda válvula de retención siguiendo los pasos 2 a 12.
14. Abra lentamente las válvulas de cierre.





Solución de problemas

SÍNTOMA	CAUSA	SOLUCIÓN
La válvula de retención no logra retener un mínimo de 1.0 psid (7 kPa)	Residuos en la superficie de sellado del disco de retención	Desensamblaje y limpieza
	Válvula de compuerta con fugas	Desmontar y limpiar o reparar
	Disco del asiento o junta tórica del asiento dañados	Desensamblaje y sustitución
	Guía que sujeta la retención abierta dañada	Desmontar y limpiar o sustituir
	Resorte débil o roto	Desmontaje y sustitución del resorte
Traqueteo durante las condiciones de flujo	Guía desgastada, dañada o defectuosa	Desmontaje y reparación o sustitución de la guía
Flujos bajos que pasan a través de la válvula de línea principal	Control de la línea principal atascada	Desensamblaje y limpieza
	Colador del medidor obstruido	
	Disco o asiento de la línea principal dañado	Desensamblaje y sustitución
	Resorte de línea principal roto	

Kits de conexión de sensor de complemento y retroadaptación para sistemas de gestión de edificios

CÓDIGO DE PEDIDO	KIT COMPLEMENTARIO/DE RETROADAPTACIÓN	DESCRIPCIÓN
88009418	 <p>FP-BF-BMS Kit de conexión del sensor de inundación de BMS Serie LF919 Tamaños ½ in a 2 in (1.2 cm a 5 cm)</p>	Incluye un módulo de activación del sensor con cable, cable de tierra y adaptador de corriente. Utilice este kit para activar el sensor de inundación y habilitar las capacidades de detección de inundaciones en la válvula de alivio de una nueva instalación en una configuración BMS.
88009423	 <p>FP-RFK-BF-BMS-CFS Kit de conexión de retroadaptación del sensor de inundación de BMS Serie LF919 Tamaños ½ in a 2 in (1.2 cm a 5 cm)</p>	Incluye sensor de inundación (2), módulo de activación del sensor con cable, cable de tierra y adaptador de corriente. Utilice este kit para añadir capacidades de detección de inundaciones a la válvula de alivio de una instalación existente en una configuración de BMS.

Kits de conexión de sensores adicionales y de retroadaptación para la comunicación celular

CÓDIGO DE PEDIDO	KIT COMPLEMENTARIO/DE RETROADAPTACIÓN	DESCRIPCIÓN
88009420	 <p>FP-BF-CFS Kit de conexión del sensor celular de inundación Serie LF919 Tamaño de ½ in a 2 in (1.2 cm a 5 cm)</p>	Incluye un módulo de activación de sensor con cable, puerta de enlace celular con kit de montaje, adaptador de corriente y cable de tierra. Utilice este kit para activar el sensor de inundación y habilitar las capacidades de detección de inundaciones y las notificaciones de correo electrónico, texto y voz.
88009424	 <p>FP-RFK-BF-CFS Kit de conexión de retroadaptación del sensor celular de inundación Serie LF919 Tamaños ½ in a 2 in (1.2 cm a 5 cm)</p>	Incluye sensor de inundación (2), módulo de activación de sensor con cable, puerta de enlace celular con kit de montaje, adaptador de corriente y cable de tierra. Use este kit para agregar capacidades de detección de inundaciones a la válvula de alivio de una instalación existente y habilitar notificaciones de correo electrónico, texto y voz.

Garantía limitada: Watts (la "Compañía") garantiza que cada producto está libre de defectos en los materiales y la mano de obra en condiciones de uso normal en el período de un año a partir de la fecha de envío original. En caso de que tales defectos se presenten dentro del período de garantía, la Compañía, a su criterio, reemplazará o reacondicionará el producto sin cargo alguno.

LA GARANTÍA ESTABLECIDA EN ESTE DOCUMENTO SE OTORGA EXPRESAMENTE Y ES LA ÚNICA GARANTÍA OTORGADA POR LA COMPAÑÍA CON RESPECTO AL PRODUCTO. LA COMPAÑÍA NO OFRECE NINGUNA OTRA GARANTÍA, EXPRESA NI IMPLÍCITA. POR ESTE MEDIO, LA COMPAÑÍA RENUNCIA ESPECÍFICAMENTE A TODAS LAS DEMÁS GARANTÍAS, EXPRESAS O IMPLÍCITAS, INCLUIDAS, ENTRE OTRAS, LAS GARANTÍAS IMPLÍCITAS DE COMERCIABILIDAD E IDONEIDAD PARA UN PROPÓSITO EN PARTICULAR.

El recurso descrito en el primer párrafo de esta garantía constituirá el único y exclusivo recurso por incumplimiento de la garantía, y la Compañía no será responsable de ningún daño incidental, especial o consecuente, incluidos, entre otros, la pérdida de ganancias o el costo de reparación o reemplazo de otros bienes dañados si este producto no funciona correctamente, otros costos resultantes de cargos laborales, retrasos, vandalismo, negligencia, contaminación causada por materiales extraños, daños por condiciones adversas del agua, productos químicos o cualquier otra circunstancia sobre la cual la Compañía no tenga control. Esta garantía quedará anulada por cualquier abuso, uso indebido, aplicación incorrecta, instalación o mantenimiento inadecuados o alteración del producto.

Algunos estados no permiten limitaciones de la duración de una garantía implícita, y algunos estados no permiten la exclusión o limitación de daños incidentales o consecuentes. Por lo tanto, es posible que las limitaciones anteriores no se apliquen a usted. Esta garantía limitada le otorga derechos legales específicos y es posible que tenga otros derechos que varían de un estado a otro. Debe consultar las leyes estatales correspondientes para determinar sus derechos. **EN LA MEDIDA QUE SEA CONSISTENTE CON LAS LEYES ESTATALES VIGENTES, CUALQUIER GARANTÍA IMPLÍCITA QUE PUEDA NO SER RENUNCIADA, INCLUYENDO LAS GARANTÍAS IMPLÍCITAS DE COMERCIABILIDAD E IDONEIDAD PARA UN PROPÓSITO PARTICULAR, TIENE UNA DURACIÓN LIMITADA A UN AÑO A PARTIR DE LA FECHA DE ENVÍO ORIGINAL.**



EE. UU.: T: (978) 689-6066 • Watts.com

Canadá: T: (888) 208-8927 • Watts.ca

Latinoamérica: T: (52) 55-4122-0138 • Watts.com