

Engineering Specification

Job Name _____
 Job Location _____
 Engineer _____
 Approval _____

Contractor _____
 Approval _____
 Contractor's P.O. No. _____
 Representative _____

CO-380-RD Wall Cleanout with Brass Plug and Stainless Steel Cover Specification

Watts CO-380-RD cast iron wall cleanout with gasketed brass countersunk plug, stainless steel access cover, vandal proof stainless steel screw, and no hub connection.

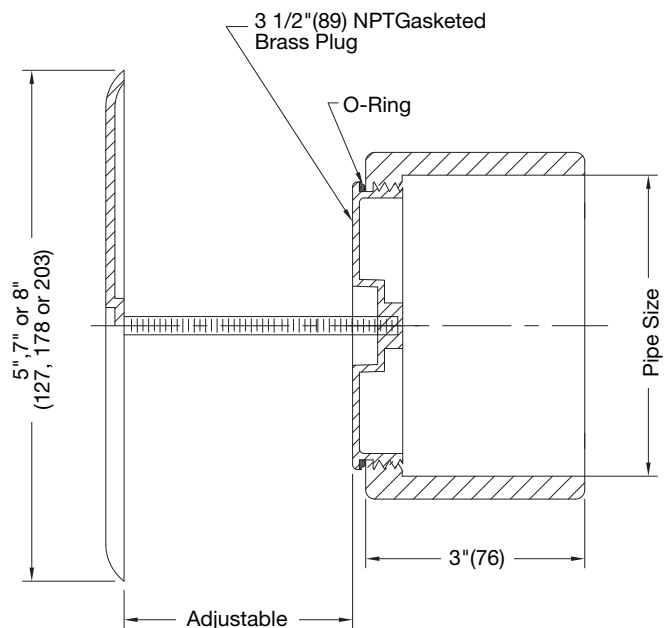
Call customer service if you need assistance with technical details.

Pipe Size	Cover Size	
2"(51)	5"(127)	<input type="checkbox"/>
3"(76)	7"(178)	<input type="checkbox"/>
4"(102)	7"(178)	<input type="checkbox"/>
6"(152)	8"(203)	<input type="checkbox"/>

Load Rating
 MD

NOTICE
 The load classifications are in accordance with the American National Standards ASME A112.21.1M ASME Ratings are as follows:
 MD - Safe Live Load 2000-4999 lbs. (900-2250 kg)
 The above categories are given as a guide only.
 Please consult factory.

NOTICE
 The information contained herein is not intended to replace the full product installation and safety information available or the experience of a trained product installer. You are required to thoroughly read all installation instructions and product safety information before beginning the installation of this product.



Watts product specifications in U.S. customary units and metric are approximate and are provided for reference only. For precise measurements, please contact Watts Technical Service. Watts reserves the right to change or modify product design, construction, specifications, or materials without prior notice and without incurring any obligation to make such changes and modifications on Watts products previously or subsequently sold.

