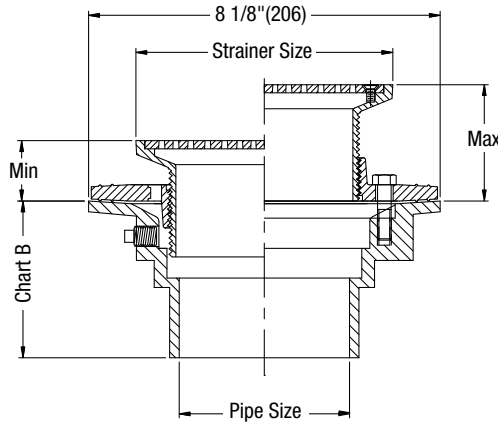


Engineering Specification

Job Name _____ Contractor _____
 Job Location _____ Approval _____
 Engineer _____ Contractor's P.O. No. _____
 Approval _____ Representative _____

FD-1100-A Floor Drain with Round Stainless Steel Strainer



Specification

Watts FD-1100-A epoxy coated cast iron floor drain with anchor flange, reversible clamping collar with primary & secondary weepholes, adjustable round heel proof stainless steel strainer, and no hub (standard) outlet.

Call customer service if you need assistance with technical details.

Pipe Sizing	
Suffix	Description
2	2"(51) Pipe Size <input type="checkbox"/>
3	3"(76) Pipe Size <input type="checkbox"/>
4	4"(102) Pipe Size <input type="checkbox"/>
6	6"(152) Pipe Size (NH Only) <input type="checkbox"/>

Optional Body Material (NH Only)	
Suffix	Description
-60	PVC BBody w/Socket Outlet <input type="checkbox"/>
-61	ABS Body w/Socket Outlet <input type="checkbox"/>

Outlet Type	
Suffix	Description
NH	No Hub (MJ) <input type="checkbox"/>
P	Push On <input type="checkbox"/>
T	Threaded Outlet <input type="checkbox"/>
X	Inside Caulk <input type="checkbox"/>

Options	
Suffix	Description
-5	Sediment Bucket <input type="checkbox"/>
-6	Vandal Proof <input type="checkbox"/>
-7	Trap Primer Tapping <input type="checkbox"/>
-8	Backwater Valve (2, 3, 4" Only) <input type="checkbox"/>
-13	Galvanized Body <input type="checkbox"/>
-15	Strainer Extension (DD-50) <input type="checkbox"/>
-28	304 SS Body & Collar <input type="checkbox"/>
-F4-50	4" Round Cast Iron Funnel <input type="checkbox"/>
-F4-1	4" Round Nickel Bronze Funnel <input type="checkbox"/>
-F4-3	4" Round SS Funnel <input type="checkbox"/>
-F6-1	6" Round Nickel Bronze Funnel <input type="checkbox"/>
-G-50	4" x 9" Oval Cast Iron Funnel <input type="checkbox"/>
-G-1	4" x 9" Oval Nickel Bronze Funnel <input type="checkbox"/>
-G-3	4" x 9" Oval SS Funnel <input type="checkbox"/>
-S0	Side Outlet <input type="checkbox"/>

Strainer Size	
Suffix	Description
A5	5"(127) Dia. Stainless Steel <input type="checkbox"/>
A6	6"(152) Dia. Stainless Steel <input type="checkbox"/>
A8	8"(203) Dia. Stainless Steel <input type="checkbox"/>

Load Rating
HD

NOTICE

The information contained herein is not intended to replace the full product installation and safety information available or the experience of a trained product installer. You are required to thoroughly read all installation instructions and product safety information before beginning the installation of this product.

Watts product specifications in U.S. customary units and metric are approximate and are provided for reference only. For precise measurements, please contact Watts Technical Service. Watts reserves the right to change or modify product design, construction, specifications, or materials without prior notice and without incurring any obligation to make such changes and modifications on Watts products previously or subsequently sold.

Strainer Size

Strainer				
Size	Min.	Max.	Load Rating	Free Area Sq. In.
5"(127)	13/16"(21)	3 1/4"(83)	*HD	8
6"(152)	7/8"(22)	3 3/8"(86)	*HD	9
8"(203)	7/8"(22)	3 1/4"(83)	*HD	18

Chart B

Pipe Size	Std.	P	T	X	60/61
	No Hub	Push On	Female Thread	Inside Caulk	PVC/ABS
2"(51)	3-5/8"(92)	4-1/4"(108)	4-1/4"(108)	4-1/2"(114)	4"(102)
3"(76)	3-5/8"(92)	4-1/4"(108)	4-1/4"(108)	4-1/2"(114)	4"(102)
4"(102)	3-5/8"(92)	4-1/4"(108)	4-1/4"(108)	4-1/2"(114)	4"(102)
6"(152)	3-1/2"(89)	-	-	-	-

NOTICE

The load classifications are in accordance with the American National Standard ASME A112.21.1M ASME Ratings are as follows:
 HD Safe Live Load 5000-7499 lbs. (2250-3375 kg)
 The above categories are given as a guide only. Please consult factory.



USA: T: (800) 338-2581 • Watts.com
 Canada: T: (888) 208-8927 • Watts.ca
 Latin America: T: (52) 55-4122-0138 • Watts.com