

Engineering Specification

Job Name _____

Contractor _____

Job Location _____

Approval _____

Engineer _____

Contractor's P.O. No. _____

Approval _____

Representative _____

FS-500 12" Square x 6" Deep PVC Sanitary Floor Sink



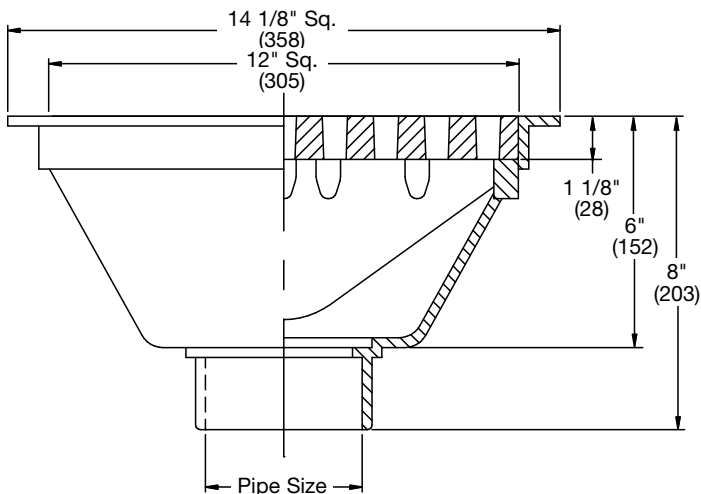
Specification

Watts FS-500 12" Square x 6" Deep PVC sanitary floor sink with secured grates, and SCH40 socket outlet.

Call customer service if you need assistance with technical details.

PIPE SIZING	
SUFFIX	DESCRIPTION
2	2"(51) Pipe Size
3	3"(76) Pipe Size
4	4"(102) Pipe Size

OPTIONS	
SUFFIX	DESCRIPTION
-5	Sediment Bucket
-6	Vandal Proof
-33	Less Grate
-150	1/2 Grate
-175	3/4 Grate
-DS	Dome Bottom Strainer



NOTICE

The information contained herein is not intended to replace the full product installation and safety information available or the experience of a trained product installer. You are required to thoroughly read all installation instructions and product safety information before beginning the installation of this product.

Watts product specifications in U.S. customary units and metric are approximate and are provided for reference only. For precise measurements, please contact Watts Technical Service. Watts reserves the right to change or modify product design, construction, specifications, or materials without prior notice and without incurring any obligation to make such changes and modifications on Watts products previously or subsequently sold.



USA: T: (800) 338-2581 • Watts.com
Canada: T: (888) 208-8927 • Watts.ca
Latin America: T: (52) 55-4122-0138 • Watts.com