



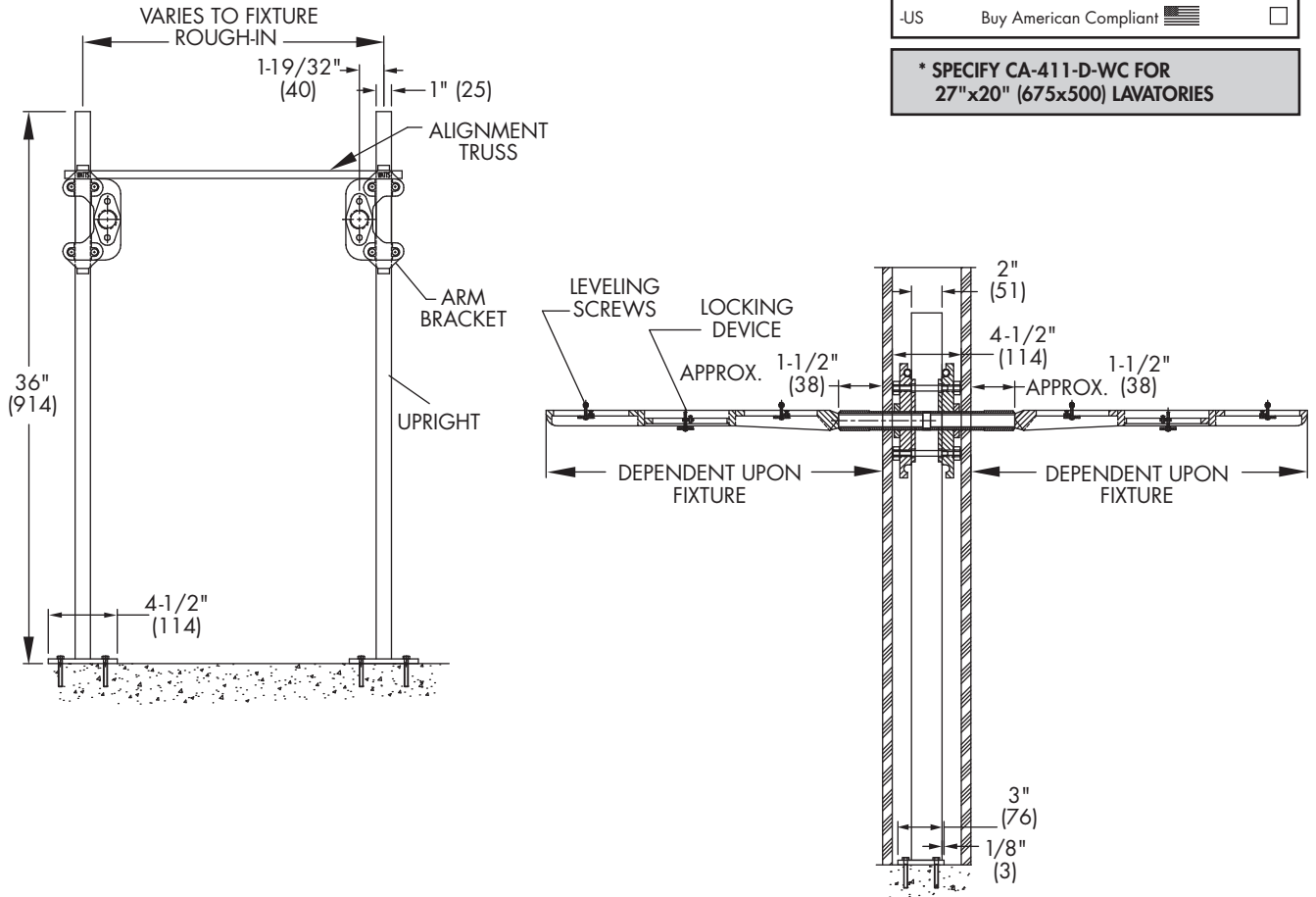
**WCA-411-D/  
WCA-411-D-WC**  
Tag: \_\_\_\_\_

**Back-to-back Floor Mounted  
Lavatory Carrier with  
Concealed Arms**

**SPECIFICATION:** Watts Drainage WCA-411-D/WCA-411-D-WC\* back-to-back floor mounted concealed arm lavatory carrier with heavy gauge steel offset uprights with integral welded feet, adjustable epoxy coated cast iron arms with levelling screws and basin locking device, upper tie rod, and plated hardware.

Options (Select One or More)	
Suffix	Description
-M42	42" Long Carrier Leg <input type="checkbox"/>
-M54	2" Chrome Plated Escutcheons, Single <input type="checkbox"/>
-M55	4" Chrome Plated Escutcheons, Single <input type="checkbox"/>
-M60	Knee-Operated Valve Support Plate, Single <input type="checkbox"/>
-US	Buy American Compliant <input type="checkbox"/>

**\* SPECIFY CA-411-D-WC FOR  
27"x20" (675x500) LAVATORIES**



**Note:** Anchor legs to concrete floor with minimum 1/2" anchor bolts (by others).

Job Name \_\_\_\_\_ Contractor \_\_\_\_\_

Job Location \_\_\_\_\_ Contractor's P.O. No. \_\_\_\_\_

Engineer \_\_\_\_\_ Representative \_\_\_\_\_

WATTS Drainage reserves the right to modify or change product design or construction without prior notice and without incurring any obligation to make similar changes and modifications to products previously or subsequently sold. See your WATTS Drainage representative for any clarification. Dimensions are subject to manufacturing tolerances.



**Specification Drainage Products**

USA: 100 Watts Road, Spindale, NC, 28160-2298; TEL: 828-288-2179 TOLL-FREE: 1-800-338-2581 [www.watts.com](http://www.watts.com)