



CO44

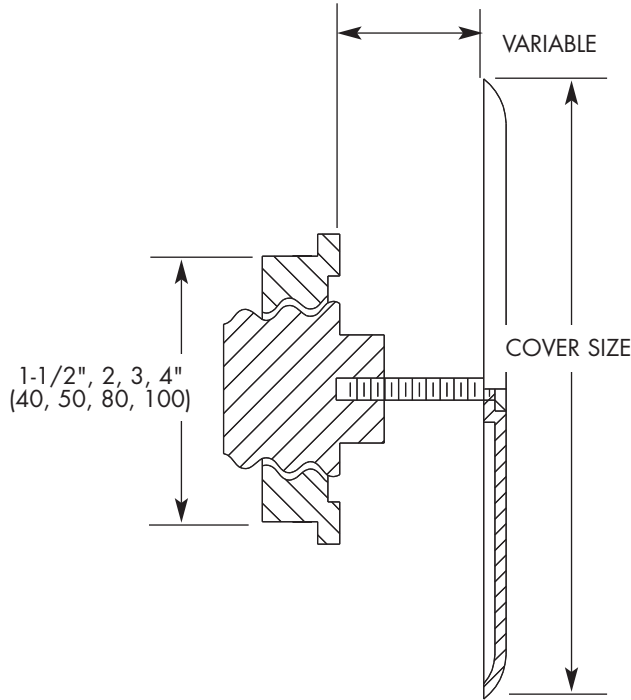
Poly Wall Cleanout

Tag: _____

PROLINE

SPECIFICATION: Watts ProLine CO44 wall cleanout with poly plug with brass insert, SS cover, and vandal proof SS screw.

Pipe Sizing (Select One)		
Suffix	Description	
-1.5	1-1/2" Pipe	<input type="checkbox"/>
-2	2" Pipe	<input type="checkbox"/>
-3	3" Pipe	<input type="checkbox"/>
-4	4" Pipe	<input type="checkbox"/>
-6	6" Pipe	<input type="checkbox"/>



Job Name _____ Contractor _____

Job Location _____ Contractor's P.O. No. _____

Engineer _____ Representative _____

WATTS Drainage reserves the right to modify or change product design or construction without prior notice and without incurring any obligation to make similar changes and modifications to products previously or subsequently sold. See your WATTS Drainage representative for any clarification. Dimensions are subject to manufacturing tolerances.



USA: 100 Watts Road, Spindale, NC, 28160 TEL: 828-288-2179 TOLL-FREE: 1-800-338-2581 Website: www.wattsdrainage.com