

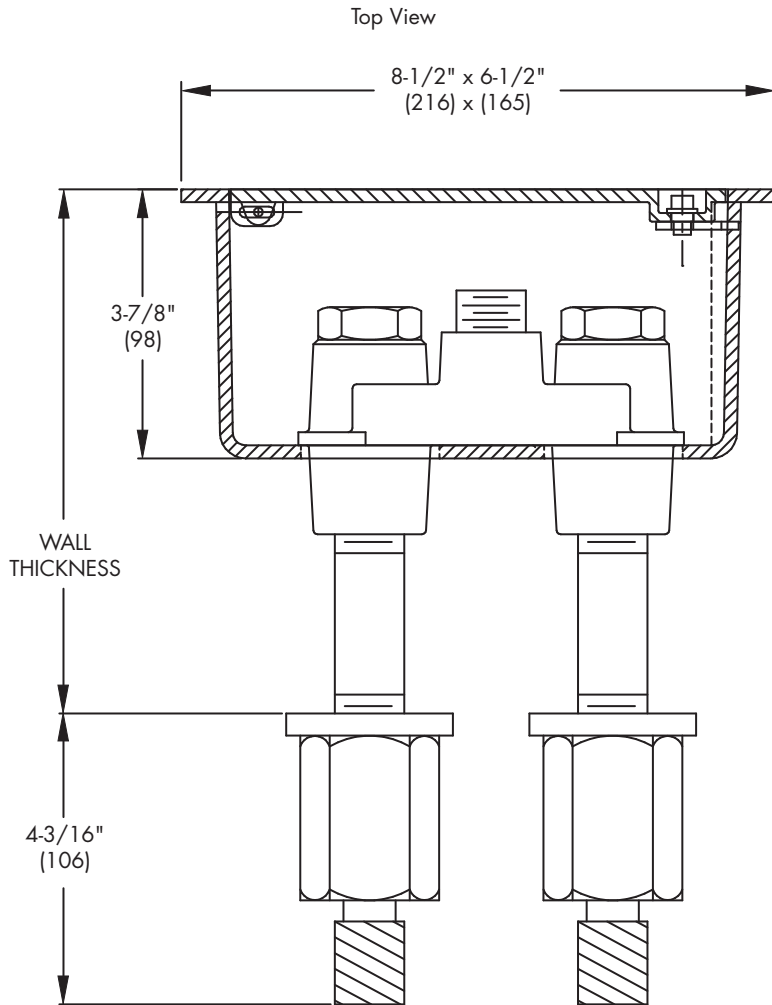


HY-700

Tag: _____

Non-Freeze Duo-Temp Wall Hydrant with SS Box

SPECIFICATION: Watts Drainage HY-700 concealed non-freeze key operated dual-temp wall hydrant with stainless steel box and door, polished bronze hydrant face, 3/4"(19) hose connection, 3/4"(19) female x 1"(25) male pipe connections, all bronze head, seat casting and internal working parts, galvanized wall casing, and loose key.



Wall Thickness (Select One)		
Suffix	Description	
-6	6"(152) Thick	<input type="checkbox"/>
-8	8"(203) Thick	<input type="checkbox"/>
-10	10"(254) Thick	<input type="checkbox"/>
-12	12"(305) Thick	<input type="checkbox"/>
-14	14"(356) Thick	<input type="checkbox"/>
-16	16"(406) Thick	<input type="checkbox"/>
-18	18"(457) Thick	<input type="checkbox"/>

Options		
Suffix	Description	
-K	Cylinder Lock	<input type="checkbox"/>
-VB	Vacuum Breaker	<input type="checkbox"/>
-CIA	Complete Internal Assembly (Repair Kit)	<input type="checkbox"/>

NOTICE

The information contained herein is not intended to replace the full product installation and safety information available or the experience of a trained product installer. You are required to thoroughly read all installation instructions and product safety information before beginning the installation of this product

Recommended Wall Opening:
6-5/8" x 8-3/8" (168 x 213)

Job Name _____

Contractor _____

Job Location _____

Contractor's P.O. No. _____

Engineer _____

Representative _____

Watts product specifications in U.S. customary units and metric are approximate and are provided for reference only. For precise measurements, please contact Watts Technical Service. Watts reserves the right to change or modify product design, construction, specifications, or materials without prior notice and without incurring any obligation to make such changes and modifications on Watts products previously or subsequently sold.

USA: Tel: (800) 338-2581 • Fax: (828) 248-3929 • Watts.com
Canada: Tel: (905) 332-4090 • Fax: (905) 332-7068 • Watts.ca
Latin America: Tel: (52) 81-1001-8600 • Fax: (52) 81-8000-7091 • Watts.com



A Watts Water Technologies Company