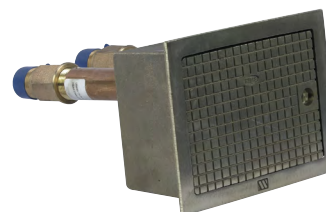


Engineering Specification

Job Name _____	Contractor _____
Job Location _____	Approval _____
Engineer _____	Contractor's P.O. No. _____
Approval _____	Representative _____

HY-700

Non-Freeze Duo-Temp Wall Hydrant w/Stainless Steel Box



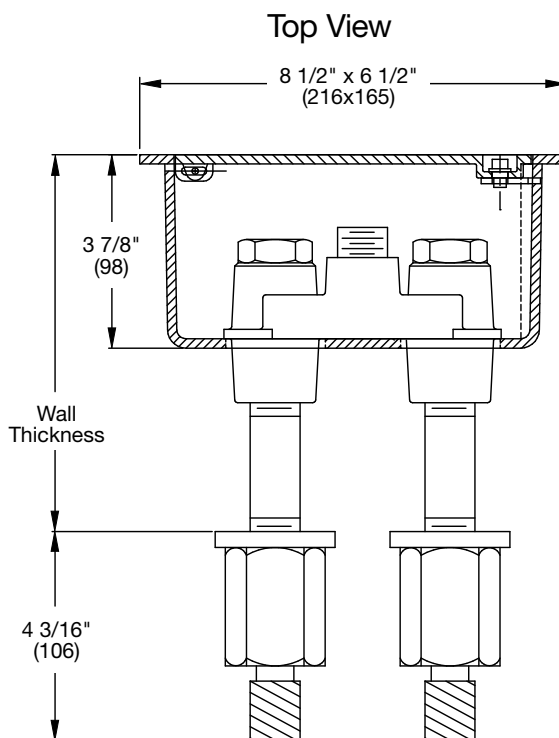
Specification

Watts HY-700 concealed non-freeze dual-temp wall hydrant with stainless steel box and door, polished bronze hydrant face, 3/4" hose connection, 3/4" female x 1" male pipe connections, all bronze head, seat casting and internal working parts, galvanized wall casing, and loose key.

Call customer service if you need assistance with technical details.

Wall Thickness	
Suffix	Description
-6	6"(152) Thick
-8	8"(203) Thick
-10	10"(254) Thick
-12	12"(305) Thick
-14	14"(356) Thick
-16	16"(406) Thick
-18	18"(457) Thick

Options	
Suffix	Description
-K	Cylinder Lock
-VB	Vacuum Breaker
-CIA	Complete Internal Assembly (Repair Kit)



NOTICE

The information contained herein is not intended to replace the full product installation and safety information available or the experience of a trained product installer. You are required to thoroughly read all installation instructions and product safety information before beginning the installation of this product.

Watts product specifications in U.S. customary units and metric are approximate and are provided for reference only. For precise measurements, please contact Watts Technical Service. Watts reserves the right to change or modify product design, construction, specifications, or materials without prior notice and without incurring any obligation to make such changes and modifications on Watts products previously or subsequently sold.



USA: T: (800) 338-2581 • Watts.com
Canada: T: (888) 208-8927 • Watts.ca
Latin America: T: (52) 55-4122-0138 • Watts.com

