

For Agricultural and Industrial Applications

Job Name _____

Contractor _____

Job Location _____

Approval _____

Engineer _____

Contractor's P.O. No. _____

Approval _____

Representative _____

APEX™ PB Series

PumpBuddy® Differential Tank Valve

Sizes: ¾" – 1¼" (20 – 32mm)

The PumpBuddy valve is an outlet control device that allows variable minimum and maximum water level settings within a water tank when filling from a pump. For rainwater harvesting applications, it works as a backup water supply control valve, in the event demand exceeds rainfall.

Features

- Adjustable water levels save electricity & increase pump life
- Full on, full off
- No float switches, no power required (pump requires pressure switch)
- Fewer parts mean fewer problems
- Long tail available, no tank fittings

Application

- **Pump fed reservoirs** – it allows for a single level or variable minimum and maximum levels within a reservoir/tank.
- **Rain Harvesting** – as a backup water supply control valve, providing a backup supply of water in the event of demand exceeding rainfall.

Operating Principle

The PumpBuddy will be closed when both weights are submerged (maximum water level). The valve will remain closed until the bottom weight is exposed (minimum water level). The valve will then open and remain open until the maximum level is reached.

Models

Standard

PB34 US – ¾" NPT (20mm)

PB1 US – 1" NPT (25mm)

PB114 US – 1 ¼" NPT (32mm)

Longtail

PB34LT US – ¾" NPT (19mm)

PB1LT US – 1" NPT (25mm)

RKPB US – Repair Kit



Specifications

Working Pressure: 8 – 175 psi (55 – 1200 kPa)

Minimum water temperature: 34°F (1°C)

Tank valves must be insulated to protect the valve where the temperature can get below 34°F (1°C) (minimum service temperature).

Maximum water temperature: 140°F (60°C)

Maximum inlet pressure: 175psi (1200 kPa) .

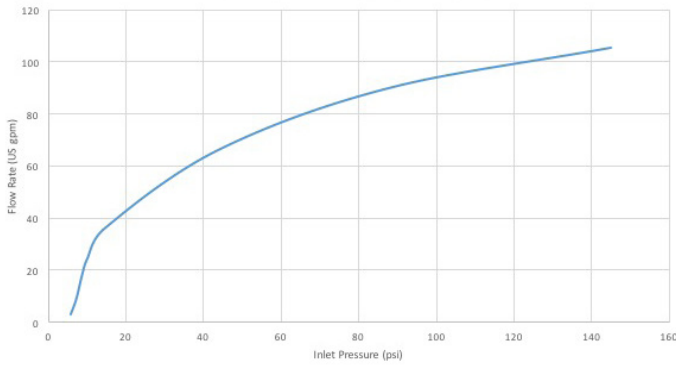
Patents

- US Patent Application No. 11/604204
- New Zealand Patent Application No. 535912
- Australian Class 11 Patent Application No. 1025211
- RSA Patent Application No. 2006/09432

NOTICE

The information contained herein is not intended to replace the full product installation and safety information available or the experience of a trained product installer. You are required to thoroughly read all installation instructions and product safety information before beginning the installation of this product.

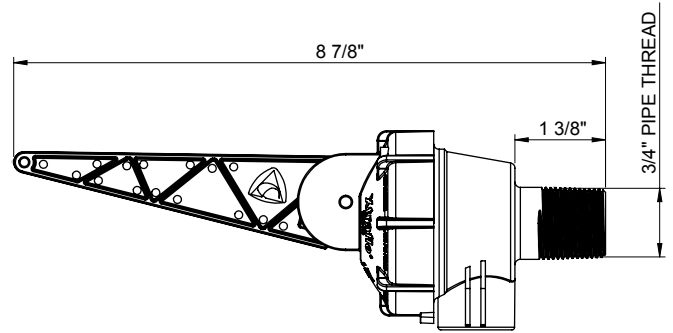
APEX PumpBuddy Valve 3/4", 1" & 1 1/4"



Materials

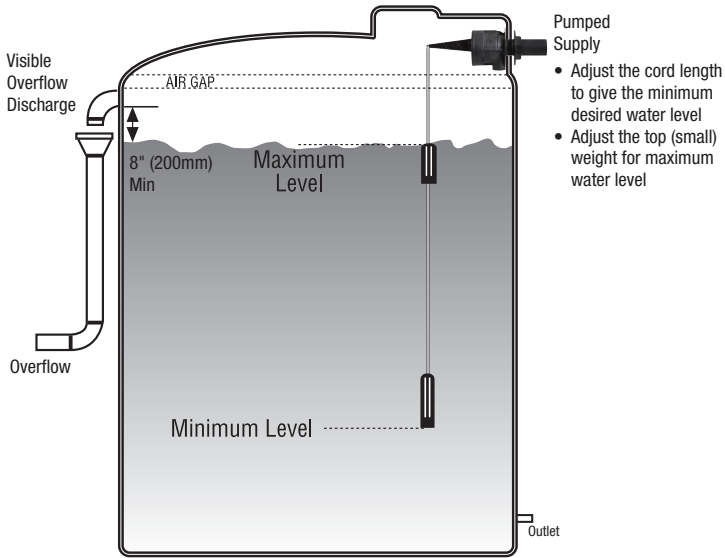
- Body: Acetyl
- Arm: Acetyl
- Spring: 304 S/S
- Seals & O-Rings: Nitrile
- Diaphragm: Nitrile

Dimensions

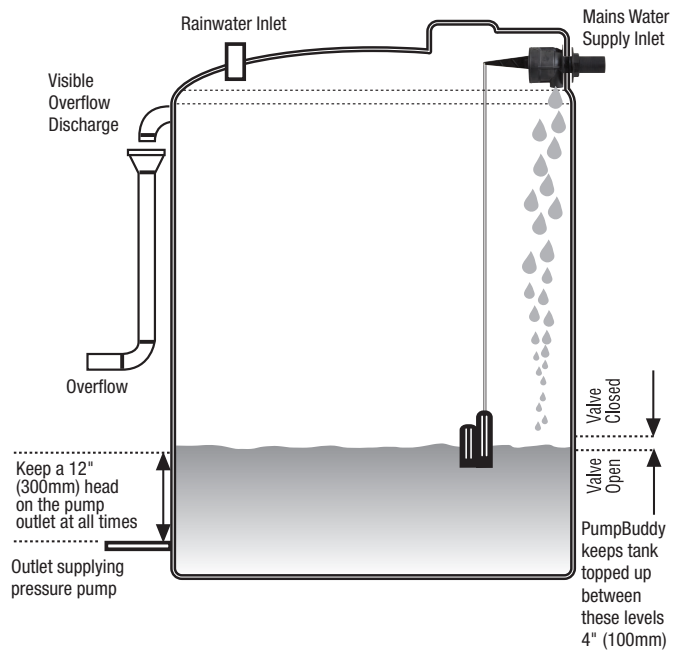


Applications

Pump Supply



Rain Harvesting



USA: T: (978) 689-6066 • F: (978) 975-8350 • Watts.com
 Canada: T: (905) 332-4090 • F: (905) 332-7068 • Watts.ca
 Latin America: T: (52) 81-1001-8600 • Watts.com