

For Agricultural and Industrial Applications

Job Name _____
 Job Location _____
 Engineer _____
 Approval _____

Contractor _____
 Approval _____
 Contractor's P.O. No. _____
 Representative _____

APEX SpaceSaver

Sizes: 1/2" and 3/4"

Compact Acetyl valve designed for small individual troughs and drinkers. Non-corrosive materials — ideal for hydroponic applications.

Application

- Drinkers
- Hydroponics

Models

SS12 US – 1/2" NPT (15mm)
 SS34 US – 3/4" NPT (20mm)

Specifications

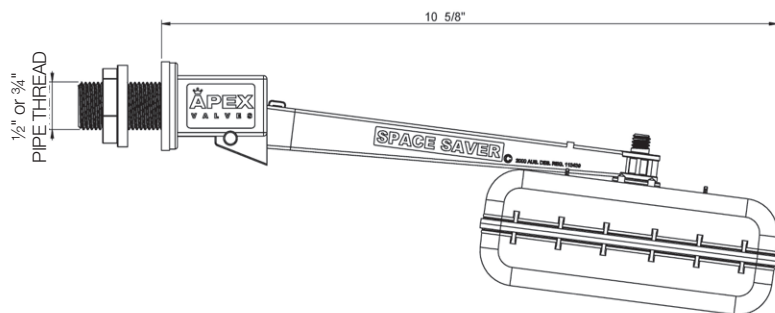
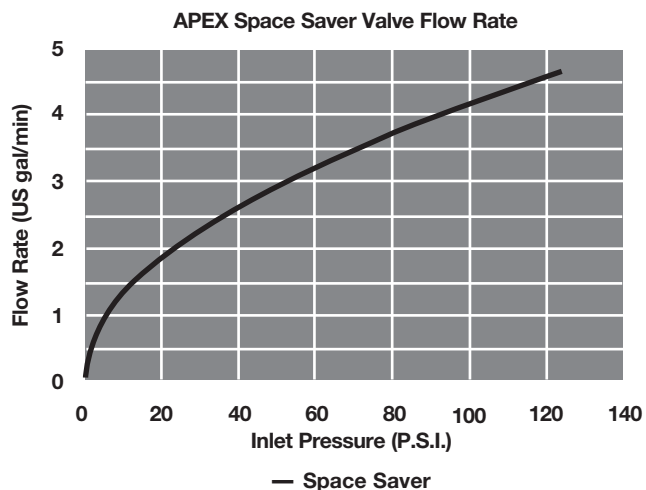
Working Pressure: 0 – 120 psi (0 – 800 kPa)

Maximum Water Temperature: 140°F (60°C)

Minimum Water Temperature: 34°F (1°C)

NOTICE

The information contained herein is not intended to replace the full product installation and safety information available or the experience of a trained product installer. You are required to thoroughly read all installation instructions and product safety information before beginning the installation of this product.



Watts product specifications in U.S. customary units and metric are approximate and are provided for reference only. For precise measurements, please contact Watts Technical Service. Watts reserves the right to change or modify product design, construction, specifications, or materials without prior notice and without incurring any obligation to make such changes and modifications on Watts products previously or subsequently sold.



USA: T: (978) 689-6066 • F: (978) 975-8350 • Watts.com
Canada: T: (905) 332-4090 • F: (905) 332-7068 • Watts.ca
Latin America: T: (52) 81-1001-8600 • Watts.com