

Engineering Specification

Job Name _____

Contractor _____

Job Location _____

Approval _____

Engineer _____

Contractor's P.O. No. _____

Approval _____

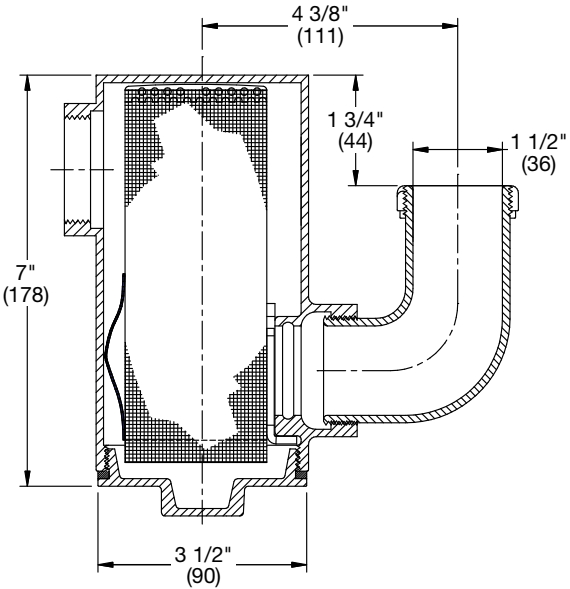
Representative _____

SI-750 Cast Iron Hair Interceptor

Specification

Watts SI-750 epoxy coated cast iron hair interceptor with gasketed cover, slip joint inlet elbow, removable sediment basket and 1 1/2" IPS threaded connections.

NOTE: 6 1/2" clearance required below cover to remove sediment basket.



NOTICE

The information contained herein is not intended to replace the full product installation and safety information available or the experience of a trained product installer. You are required to thoroughly read all installation instructions and product safety information before beginning the installation of this product.

Approvals



Watts product specifications in U.S. customary units and metric are approximate and are provided for reference only. For precise measurements, please contact Watts Technical Service. Watts reserves the right to change or modify product design, construction, specifications, or materials without prior notice and without incurring any obligation to make such changes and modifications on Watts products previously or subsequently sold.

