

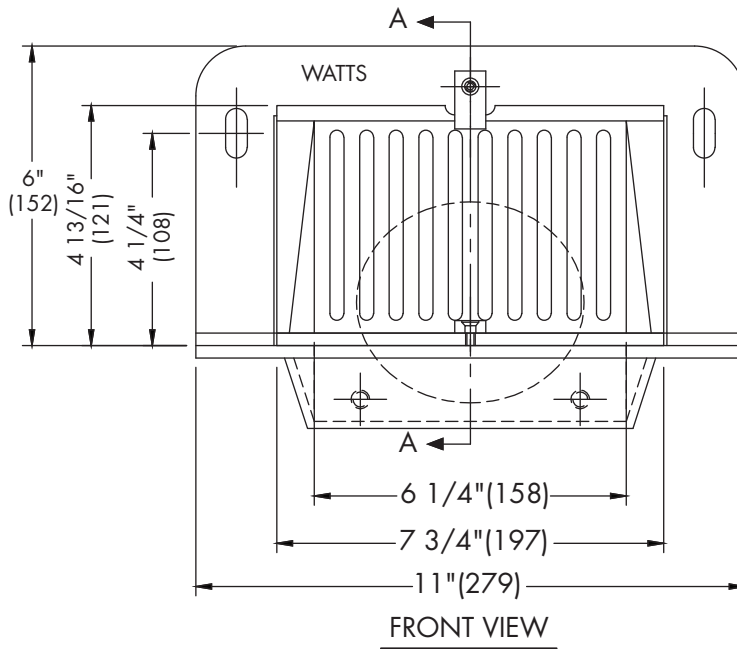


**RD-290**

Tag: \_\_\_\_\_

**Scupper Drain with Flat Grate**

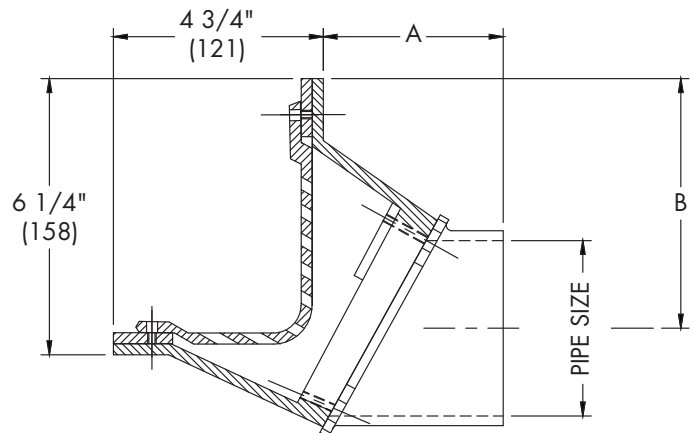
**SPECIFICATION:** Watts Drainage RD-290 epoxy coated cast iron scupper drain with flashing clamp, secured flat grate, and no hub (standard) outlet.



Pipe Sizing (Select One)		
Suffix	Description	
2	2"(51) Pipe Size	<input type="checkbox"/>
3	3"(76) Pipe Size	<input type="checkbox"/>
4	4"(102) Pipe Size	<input type="checkbox"/>
6	6"(152) Pipe Size	<input type="checkbox"/>

Options		
Suffix	Description	
-A	45 Degree Outlet (NH Only)	<input type="checkbox"/>
-T	Threaded Outlet	<input type="checkbox"/>
-1	Nickel Bronze Grate & Frame	<input type="checkbox"/>
-6	Vandal Proof Grate	<input type="checkbox"/>
-13	Galvanized	<input type="checkbox"/>

Free Area Sq. In.
15



Pipe Size	No Hub		Threaded	
	A	B	A	B
2"(51)	5-1/8"(130)	6-1/2"(165)	2-3/4"(70)	6"(152)
3"(76)	4-1/2"(114)	5-3/4"(146)	2-3/4"(70)	5-3/8"(137)
4"(102)	4"(102)	5-1/8"(130)	2-3/4"(70)	4-7/8"(124)
6"(152)	3-1/2"(90)	4-13/16"(122)	n/a	n/a

Job Name \_\_\_\_\_  
 Job Location \_\_\_\_\_  
 Engineer \_\_\_\_\_

Contractor \_\_\_\_\_  
 Contractor's P.O. No. \_\_\_\_\_  
 Representative \_\_\_\_\_

Watts product specifications in U.S. customary units and metric are approximate and are provided for reference only. For precise measurements, please contact Watts Technical Service. Watts reserves the right to change or modify product design, construction, specifications, or materials without prior notice and without incurring any obligation to make such changes and modifications on Watts products previously or subsequently sold.

**USA:** Tel: (800) 338-2581 • Fax: (828) 248-3929 • Watts.com  
**Canada:** Tel: (905) 332-4090 • Fax: (905) 332-7068 • Watts.ca  
**Latin America:** Tel: (52) 81-1001-8600 • Fax: (52) 81-8000-7091 • Watts.com

