

For Commercial Applications

Job Name _____
 Job Location _____
 Engineer _____
 Approval _____
 Tag _____

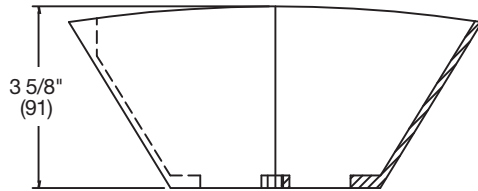
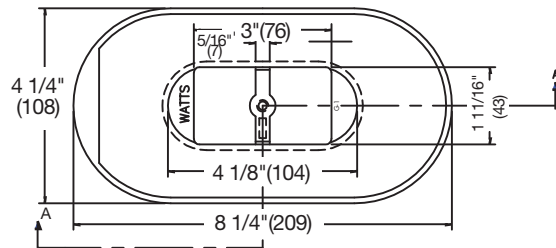
Contractor _____
 Approval _____
 Contractor's P.O. No. _____
 Representative _____

FD-Funnels

Bolt-On Funnels

Specification

Watts FD-Funnels epoxy coated cast iron, nickel bronze or stainless steel bolt-on funnel.



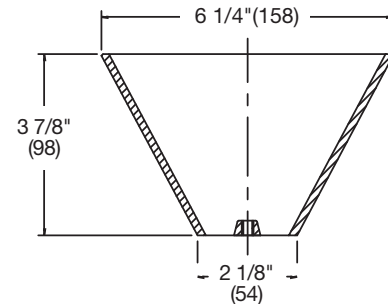
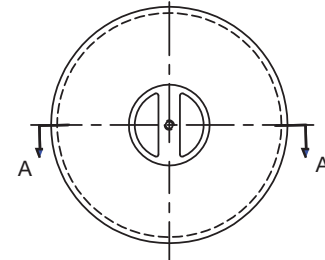
G Funnel

Model No.	Size	Material
F4-50	4"(102) Round	Cast Iron
F4-1	4"(102) Round	Nickel Bronze
F4-3	4"(102) Round	Stainless Steel
F6-1	6"(152) Round	Nickel Bronze
G-50	4"x9"(102x229) Oval	Cast Iron
G-1	4"x9"(102x229) Oval	Nickel Bronze
G-3	4"x9"(102x229) Oval	Stainless Steel

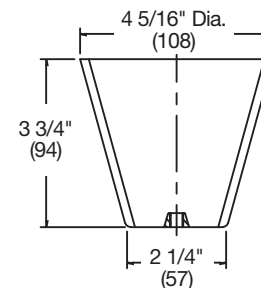
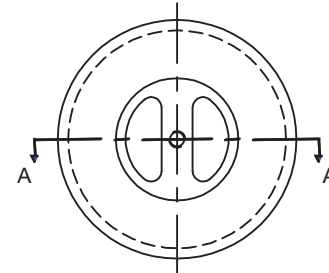
NOTICE

The information contained herein is not intended to replace the full product installation and safety information available or the experience of a trained product installer. You are required to thoroughly read all installation instructions and product safety information before beginning the installation of this product.

Watts product specifications in U.S. customary units and metric are approximate and are provided for reference only. For precise measurements, please contact Watts Technical Service. Watts reserves the right to change or modify product design, construction, specifications, or materials without prior notice and without incurring any obligation to make such changes and modifications on Watts products previously or subsequently sold.



F6 Funnel



F4 Funnel

