

Engineering Specification

Job Name _____

Contractor _____

Job Location _____

Approval _____

Engineer _____

Contractor's P.O. No. _____

Approval _____

Representative _____

BV-200 Cast Iron "In Line" Backwater Valve Specification

Watts BV-200 cast iron backwater valve with gasketed cover, bronze seat and flapper, and no hub connections.

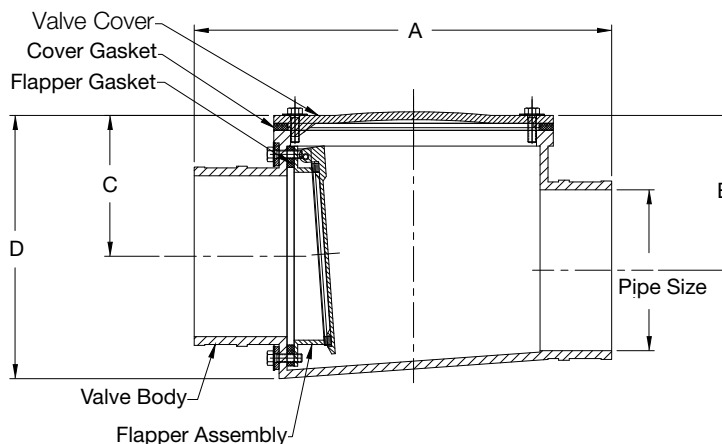


Call customer service if you need assistance with technical details.

Connection Size		
Suffix	Description	
3	3"(76) Connection Size	<input type="checkbox"/>
4	4"(102) Connection Size	<input type="checkbox"/>
6	6"(152) Connection Size	<input type="checkbox"/>

Dimensional Chart

Pipe Size	A	B	C	D
3"(76)	11 5/8"(294)	4 3/16"(107)	3 3/4"(94)	6 1/2"(165)
4"(102)	12"(305)	4 3/8"(110)	3 7/8"(98)	7 1/4"(184)
6"(152)	14 3/4"(375)	5 1/2"(140)	5"(127)	9 3/8"(238)



NOTICE

The information contained herein is not intended to replace the full product installation and safety information available or the experience of a trained product installer. You are required to thoroughly read all installation instructions and product safety information before beginning the installation of this product.

Watts product specifications in U.S. customary units and metric are approximate and are provided for reference only. For precise measurements, please contact Watts Technical Service. Watts reserves the right to change or modify product design, construction, specifications, or materials without prior notice and without incurring any obligation to make such changes and modifications on Watts products previously or subsequently sold.



USA: T: (800) 338-2581 • Watts.com

Canada: T: (888) 208-8927 • Watts.ca

Latin America: T: (52) 55-4122-0138 • Watts.com

