

Engineering Specification

Job Name _____
 Job Location _____
 Engineer _____
 Approval _____

Contractor _____
 Approval _____
 Contractor's P.O. No. _____
 Representative _____

FD-1100-ER Floor Drain with Stainless Steel Extended Rim Strainer



Specification

Watts FD-1100-ER epoxy coated cast iron floor drain with anchor flange, reversible clamping collar with primary & secondary weepholes, adjustable round stainless steel extended rim strainer, an no hub (standard) outlet.

Call customer service if you need assistance with technical details.

Pipe Sizing		Options	
Suffix	Description	Suffix	Description
2	2"(51) Pipe Size <input type="checkbox"/>	-5	Sediment Bucket <input type="checkbox"/>
3	3"(76) Pipe Size <input type="checkbox"/>	-6	Vandal Proof <input type="checkbox"/>
4	4"(102) Pipe Size <input type="checkbox"/>	-7	Trap Primer Tapping <input type="checkbox"/>
6	6"(152) Pipe Size (NH Only) <input type="checkbox"/>	-8	Backwater Valve (2, 3, 4" Only) <input type="checkbox"/>
Outlet Type		-13	Galvanized Body <input type="checkbox"/>
Suffix	Description	-15	Strainer Extension (DD-50) <input type="checkbox"/>
NH	No Hub (MJ) <input type="checkbox"/>	-28	304SS Body & Grate <input type="checkbox"/>
P	Push On <input type="checkbox"/>	-S0	Side Outlet <input type="checkbox"/>
T	Threaded Outlet <input type="checkbox"/>		
X	Inside Caulk <input type="checkbox"/>		

Optional Body Material	
Suffix	Description
-60	PVC Body w/Socket Outlet <input type="checkbox"/>
-61	ABS Body w/Socket Outlet <input type="checkbox"/>

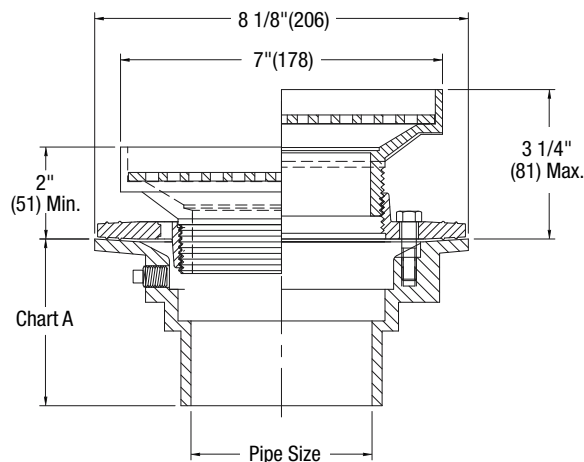


Chart A

	Std.	P	T	X	60/61
Pipe Size	No Hub	Push On	Female Thread	Inside Caulk	PVC/ABS
2"(51)	3-5/8"(92)	4-1/4"(108)	4 1/4"(108)	4 1/4"(108)	4"(102)
3"(76)	3-5/8"(92)	4-1/4"(108)	4 1/4"(108)	4 1/4"(108)	4"(102)
4"(102)	3-5/8"(92)	4-1/4"(108)	4 1/4"(108)	4 1/4"(108)	4"(102)
6"(152)	3-1/2"(89)	-	-	-	-

NOTICE

The information contained herein is not intended to replace the full product installation and safety information available or the experience of a trained product installer. You are required to thoroughly read all installation instructions and product safety information before beginning the installation of this product.

Watts product specifications in U.S. customary units and metric are approximate and are provided for reference only. For precise measurements, please contact Watts Technical Service. Watts reserves the right to change or modify product design, construction, specifications, or materials without prior notice and without incurring any obligation to make such changes and modifications on Watts products previously or subsequently sold.

