

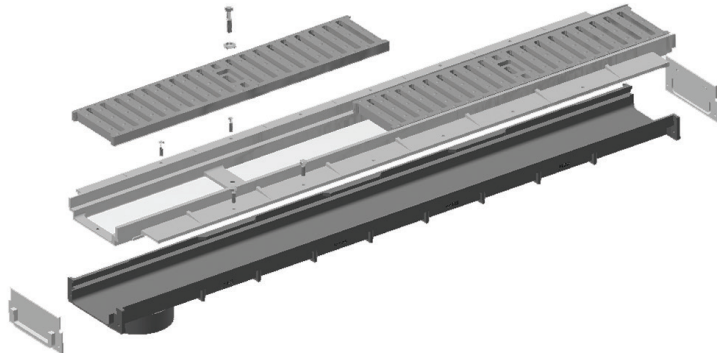


# Dead Level Z

Tag: \_\_\_\_\_

# Parking Deck Channel System for Precast Slabs

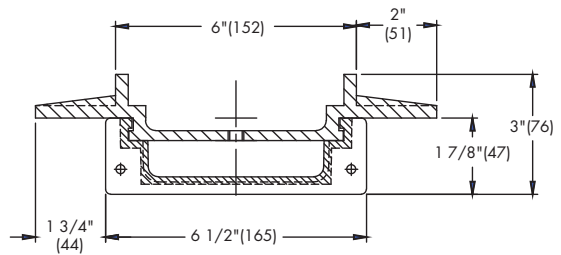
**SPECIFICATION:** Watts Dead Level Z Parking Deck Channel System with 6"(152) wide x 48"(1219) long (standard) ductile iron frame with integral deck flange, UV stabilized talc-filled polypropylene channels with integral 4" IPS threaded bottom outlet. System shall be frame-anchored, with (specify) grating to suit DIN Class (specify) load rating. System to include frame connectors, grate lockdowns, and construction covers. System can be specified in 1'(305) increments. Installation to be performed in accordance with manufacturer's recommendations.



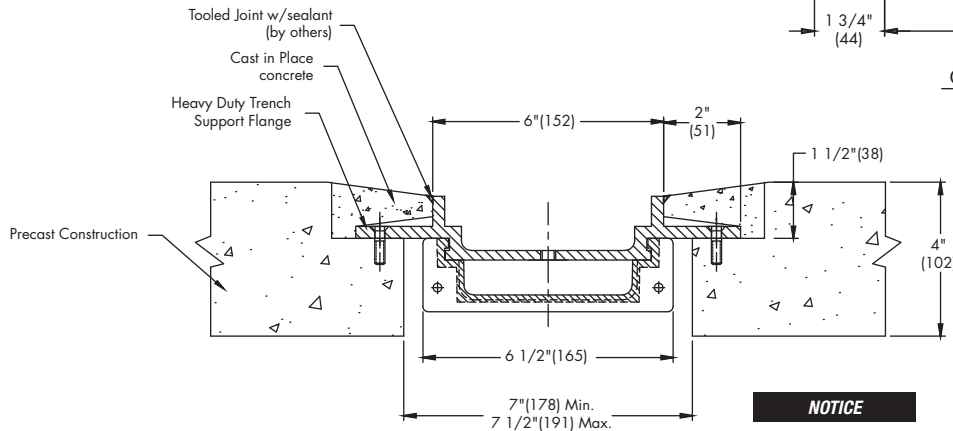
Grate Options:		
Suffix	Description	
-DI	Ductile Iron	Class F <input type="checkbox"/>
-DI-ADA	Ductile Iron ADA	Class F <input type="checkbox"/>
-GDI	Galvanized Ductile Iron*	Class F <input type="checkbox"/>
-RGP	Reinforced Galvanized Perforated	Class E <input type="checkbox"/>
-RGS	Reinforced Galvanized Slotted	Class E <input type="checkbox"/>
-RSP	Reinforced Stainless Steel Perforated	Class E <input type="checkbox"/>
-RSS	Reinforced Stainless Steel Slotted	Class E <input type="checkbox"/>

Options:		
Suffix	Description	
-FG	Galvanized Steel Frame Guard	<input type="checkbox"/>
-FS	Stainless Steel Frame Guard	<input type="checkbox"/>
-US	Buy American Compliant	<input type="checkbox"/>

\*Not Available with -US



CROSS SECTION



TYPICAL INSTALLATION

**NOTICE**

The information contained herein is not intended to replace the full product installation and safety information available or the experience of a trained product installer. You are required to thoroughly read all installation instructions and product safety information before beginning the installation of this product.

Job Name \_\_\_\_\_

Contractor \_\_\_\_\_

Job Location \_\_\_\_\_

Contractor's P.O. No. \_\_\_\_\_

Engineer \_\_\_\_\_

Representative \_\_\_\_\_

Watts product specifications in U.S. customary units and metric are approximate and are provided for reference only. For precise measurements, please contact Watts Technical Service. Watts reserves the right to change or modify product design, construction, specifications, or materials without prior notice and without incurring any obligation to make such changes and modifications on Watts products previously or subsequently sold.

USA: Tel: (800) 338-2581 • Fax: (828) 248-3929 • Watts.com

Canada: Tel: (905) 332-4090 • Fax: (905) 332-7068 • Watts.ca

Latin America: Tel: (52) 81-1001-8600 • Fax: (52) 81-8000-7091 • Watts.com

ES-WD-DeadLevel-Z-USA 1632



A Watts Water Technologies Company