

Engineering Specification

Job Name _____
 Job Location _____
 Engineer _____
 Approval _____

Contractor _____
 Approval _____
 Contractor's P.O. No. _____
 Representative _____

WD-A-Series Semi-Automatic Draw-Off Grease Interceptor

Specification

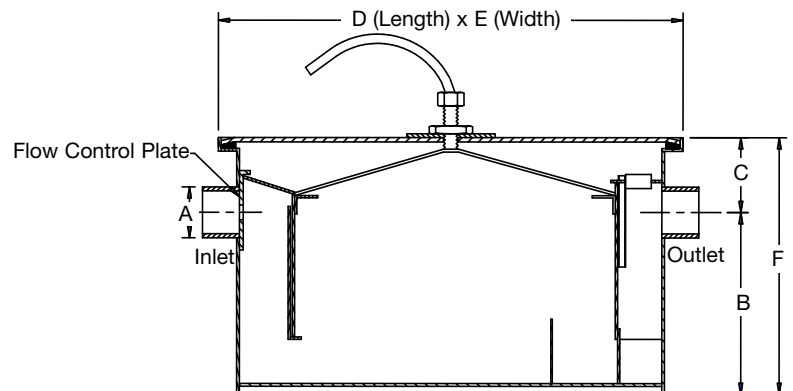
Watts WD-A Series recessed epoxy coated steel semi-automatic draw-off grease interceptor with gasketed epoxy coated steel cover, hex head perimeter bolts, removable grease accumulating cover and baffle assembly, deep seal trap with cleanout, internal stainless steel flow control plate, flexible draw-off hose, outlet line shut-off valve, IPS threaded connections, and epoxy coated steel access housing with skid-proof cover and adjustable carrier brackets.



Call customer service if you need assistance with technical details.

FLOW RATE	
SUFFIX	DESCRIPTION
7	7 GPM
10	10 GPM
15	15 GPM
20	20 GPM
25	25 GPM
35	35 GPM
50	50 GPM
75	75 GPM

OPTIONS	
SUFFIX	DESCRIPTION
-0	Inlet & Outlet (other than standard)
-SS	Stainless Steel



NOTICE

The information contained herein is not intended to replace the full product installation and safety information available or the experience of a trained product installer. You are required to thoroughly read all installation instructions and product safety information before beginning the installation of this product.

Watts product specifications in U.S. customary units and metric are approximate and are provided for reference only. For precise measurements, please contact Watts Technical Service. Watts reserves the right to change or modify product design, construction, specifications, or materials without prior notice and without incurring any obligation to make such changes and modifications on Watts products previously or subsequently sold.



USA: T: (800) 338-2581 • Watts.com
Canada: T: (888) 208-8927 • Watts.ca
Latin America: T: (52) 55-4122-0138 • Watts.com
 ES-WD-WD-A Series 2608