

Engineering Specification

Job Name _____
 Job Location _____
 Engineer _____
 Approval _____
 Tag _____

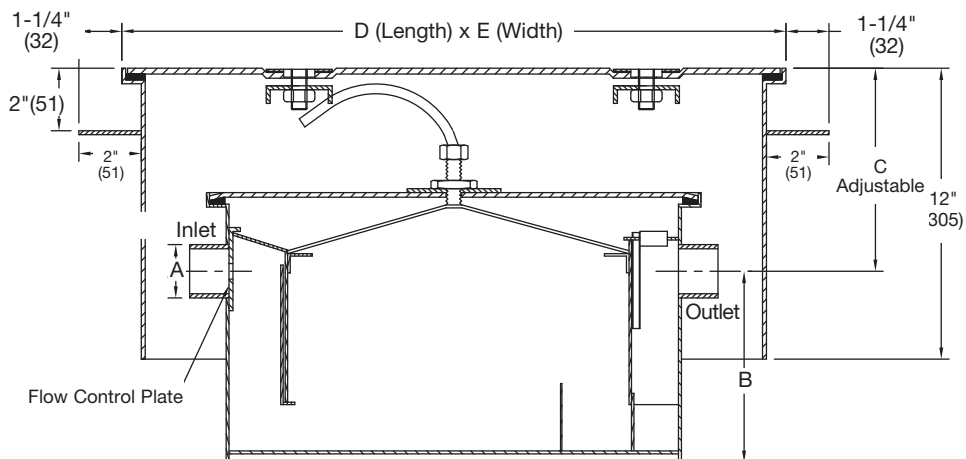
Contractor _____
 Approval _____
 Contractor's P.O. No. _____
 Representative _____

WD-AH Series Semi-Automatic Draw-Off Grease Interceptor with Access Housing Specification

Watts WD-AH Series recessed epoxy coated steel semi-automatic draw-off grease interceptor with gasketed epoxy coated steel cover, hex head perimeter bolts, removable grease accumulating cover and baffle assembly, deep seal trap with cleanout, internal stainless steel flow control plate, flexible draw-off hose, outlet line shut-off valve, IPS threaded connections, and epoxy coated steel access housing with skid-proof cover and adjustable carrier brackets.



| Flow Rate | | |
|-----------|-------------|--------------------------|
| Suffix | Description | |
| 7 | 7 GPM | <input type="checkbox"/> |
| 10 | 10 GPM | <input type="checkbox"/> |
| 15 | 15 GPM | <input type="checkbox"/> |
| 20 | 20 GPM | <input type="checkbox"/> |
| 25 | 25 GPM | <input type="checkbox"/> |
| 35 | 35 GPM | <input type="checkbox"/> |
| 50 | 50 GPM | <input type="checkbox"/> |
| 75 | 75 GPM | <input type="checkbox"/> |



| Options | | |
|---------|---|--------------------------|
| Suffix | Description | |
| -FC | Flange & Clamp Device | <input type="checkbox"/> |
| -O | Inlet & Outlet other than Standard Size | <input type="checkbox"/> |
| -SS | Stainless Steel | <input type="checkbox"/> |

NOTICE

The information contained herein is not intended to replace the full product installation and safety information available or the experience of a trained product installer. You are required to thoroughly read all installation instructions and product safety information before beginning the installation of this product.

Watts product specifications in U.S. customary units and metric are approximate and are provided for reference only. For precise measurements, please contact Watts Technical Service. Watts reserves the right to change or modify product design, construction, specifications, or materials without prior notice and without incurring any obligation to make such changes and modifications on Watts products previously or subsequently sold.



Dimensional Chart

| Model No. | Flow Rate | Grease Capacity | A Inlet & Outlet | B Base To Center | C Top To Center | | D Length | E Width |
|-----------|-----------|-----------------|------------------|------------------|-----------------|--------------|-----------|--------------|
| | GPM | Lbs. | | | Min. | Max. | | |
| WD-7-AH | 7 | 14 | 2"(51) | 8 1/2"(216) | 5 1/4"(133) | 13 1/4"(337) | 35"(889) | 18 1/2"(470) |
| WD-10-AH | 10 | 20 | 2"(51) | 8 1/2"(216) | 5 1/4"(133) | 13 1/4"(337) | 39"(991) | 19 1/2"(495) |
| WD-15-AH | 15 | 30 | 2"(51) | 10 1/2"(267) | 5 1/4"(133) | 13 1/4"(337) | 39"(991) | 20 1/2"(521) |
| WD-20-AH | 20 | 40 | 3"(76) | 11 1/2"(292) | 5 1/4"(133) | 13 1/4"(337) | 41"(1041) | 21 1/2"(546) |
| WD-25-AH | 25 | 50 | 3"(76) | 12"(305) | 6 1/4"(159) | 14 1/4"(362) | 43"(1092) | 22"(559) |
| WD-35-AH | 35 | 70 | 3"(76) | 14"(356) | 6 3/4"(171) | 14 3/4"(375) | 47"(1194) | 23 1/2"(597) |
| WD-50-AH | 50 | 100 | 4"(102) | 16"(406) | 7 1/4"(184) | 15 1/4"(387) | 49"(1245) | 27 1/2"(699) |
| WD-75-AH | 75 | 150 | 4"(102) | 18 1/2"(470) | 7 3/4"(197) | 15 3/4"(400) | 53"(1346) | 29 1/2"(749) |



USA: T: (800) 338-2581 • F: (828) 248-3929 • Watts.com
 Canada: T: (888) 208-8927 • F: (905) 481-2316 • Watts.ca
 Latin America: T: (52) 55-4122-0138 • Watts.com