

Engineering Specification

Job Name _____

Contractor _____

Job Location _____

Approval _____

Engineer _____

Contractor's P.O. No. _____

Approval _____

Representative _____

RD-200 Small Area Roof Drain

Specification

Watts RD-200 epoxy coated cast iron roof drain with flashing clamp with integral gravel stop, self-locking polyethylene dome (standard), and no hub (standard) outlet.



Call customer service if you need assistance with technical details.

Pipe Sizing		
Suffix	Description	
2	2"(51) Pipe Size (NH Only)	<input type="checkbox"/>
3	3"(76) Pipe Size	<input type="checkbox"/>
4	4"(102) Pipe Size (NH Only)	<input type="checkbox"/>

Outlet Type		
Suffix	Description	
NH	No Hub (MJ)	<input type="checkbox"/>
P	Push On	<input type="checkbox"/>
T	Threaded	<input type="checkbox"/>
X	Inside Caulk	<input type="checkbox"/>

Optional Body Material		
Suffix	Description	
-60	PVC Body w/Socket Outlet	<input type="checkbox"/>
-61	ABS Body w/Socket Outlet	<input type="checkbox"/>

**Deck Opening 6 1/2"(165)
with Sump Receiver 8"(203)**

Options		
Suffix	Description	
-13	Galvanized Body & Flashing Clamp	<input type="checkbox"/>
-B	Sump Receiver	<input type="checkbox"/>
-D	Underdeck Clamp (up to 4" only)	<input type="checkbox"/>
-F	Deck Flange/Adj. Extension	<input type="checkbox"/>
-GSS	Stainless Steel Ballast Guard	<input type="checkbox"/>
-K	Ductile Iron Dome	<input type="checkbox"/>
-K13	Galvanized Dome	<input type="checkbox"/>
-K80	Aluminum Dome	<input type="checkbox"/>
-K81	Rough Bronze Dome	<input type="checkbox"/>
-K83	SS Mesh Covered Dome	<input type="checkbox"/>
-L	Vandal Proof Dome	<input type="checkbox"/>
-R	2" External Water Dam	<input type="checkbox"/>
-SO	Side Outlet (2, 3, 4" Only)	<input type="checkbox"/>
-W	Adj. Internal Water Dam	<input type="checkbox"/>

**Free Area
Sq. In.
35**

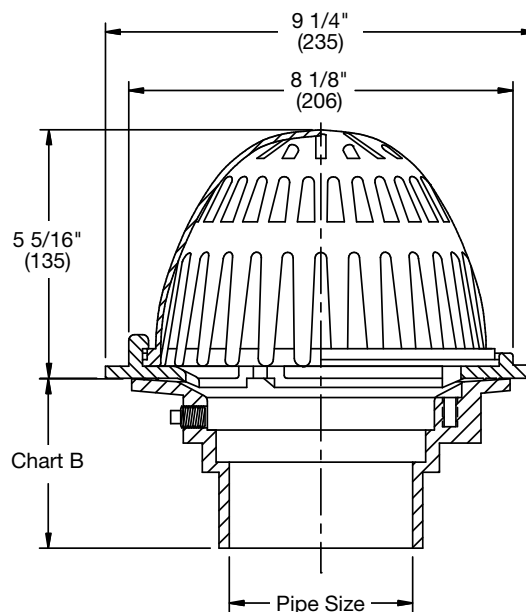


Chart B

Pipe Size	Std. No Hub	P Push On	T Female Thread	X Inside Caulk	60/61 PVC/ABS
2"(51)	3 5/8"(92)	4 1/4"(108)	4 1/4"(108)	4 1/2"(108)	4"(102)
3"(76)	3 5/8"(92)	4 1/4"(108)	4 1/4"(108)	4 1/2"(108)	4"(102)
4"(102)	3 5/8"(92)	4 1/4"(108)	4 1/4"(108)	4 1/2"(108)	4"(102)

NOTICE

The information contained herein is not intended to replace the full product installation and safety information available or the experience of a trained product installer. You are required to thoroughly read all installation instructions and product safety information before beginning the installation of this product.

Watts product specifications in U.S. customary units and metric are approximate and are provided for reference only. For precise measurements, please contact Watts Technical Service. Watts reserves the right to change or modify product design, construction, specifications, or materials without prior notice and without incurring any obligation to make such changes and modifications on Watts products previously or subsequently sold.



USA: T: (800) 338-2581 • Watts.com
Canada: T: (888) 208-8927 • Watts.ca
Latin America: T: (52) 55-4122-0138 • Watts.com

