

Engineering Specification

Job Name _____

Contractor _____

Job Location _____

Approval _____

Engineer _____

Contractor's P.O. No. _____

Approval _____

Representative _____

LEAD FREE*

Series

LFFBV-3 Press-M2

2-Piece, Full Port, Lead Free* DZR**
Brass Ball Valves with Integral Press
Fitting End Connection

Designed for use in ProPress® Piping Systems
1/2" – 4"

The Series LFFBV-3 Press-M2 features Lead Free* construction to comply with low lead installation requirements.

Features

- Lead Free* brass body
- Tested and Certified to NSF/ANSI 61 Annex G 1/2" – 4"
- Designed for types K, L, and M hard copper tubing 1/2" - 4" and soft copper tubing 1/2" – 1 1/4"
- Press end connections comply to ASTM-B88
- Press connection rated to 250psi CWP up to 100°F (13.8 bar to 121°C)
- Bottom loaded, blowout proof stem
- PTFE seats, seals and thrust washers

Applications

- Lead free and potable water installations
- Commercial, Residential, Industrial plumbing
- Hydronics

*The wetted surface of this product contacted by consumable water contains less than 0.25% of lead by weight.

** DZR as per the requirements of ISO 6509

ProPress® is a registered trademark of Viega N.A.



LFFBV-3 Press-M2

Approvals

NSF/ANSI 372 - Lead content

NSF/ANSI 61 - Health effects

NSF/ANSI 14 - Plastic piping system components

RoHS Certification Directive 2011/65/EU



Specification

Approved valve to be 2-piece, full port, forged body of Lead Free* brass. Certified to NSF/ANSI 61 Annex G by UL for potable water applications. Lead Free* brass ball and PTFE seats, seal, and thrust washer required. Press fitting rated to 250psi CWP up to 100°F (13.8 bar to 37.78°C) and press ends must comply to ASTM-B88. The valve shall be constructed using Lead Free* brass. Lead Free* brass ball valves shall comply with state codes and standards, where applicable, requiring reduced lead content. Valve shall be a Watts Series LFFBV-3 Press-M2.

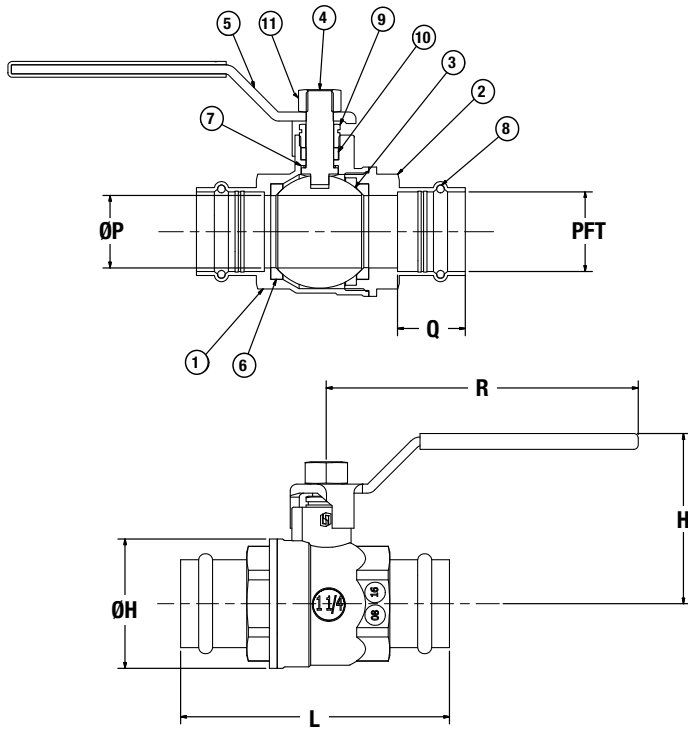
NOTICE

The information contained herein is not intended to replace the full product installation and safety information available or the experience of a trained product installer. You are required to thoroughly read all installation instructions and product safety information before beginning the installation of this product.

Inquire with governing authorities for local installation requirements

Small Size Valves 1/2" to 2"

Materials



N POS	PART NAME	MATERIAL	N PGS
1	Body	Brass (DZR per requirements of ISO 6509)	1
2	Adaptor	Brass (DZR per requirements of ISO 6509)	1
3	Ball	Brass (DZR per requirements of ISO 6509)	1
4	Stem	Brass (DZR per requirements of ISO 6509)	1
5	Handle	Steel	1
6	Ball Seat	PTFE	2
7	Thrust Washer	PTFE	1
8	O-Ring	EPDM	2
9	Packing Nut	Brass	1
10	Packing Gland	PTFE	2
11	Nut	Steel	1

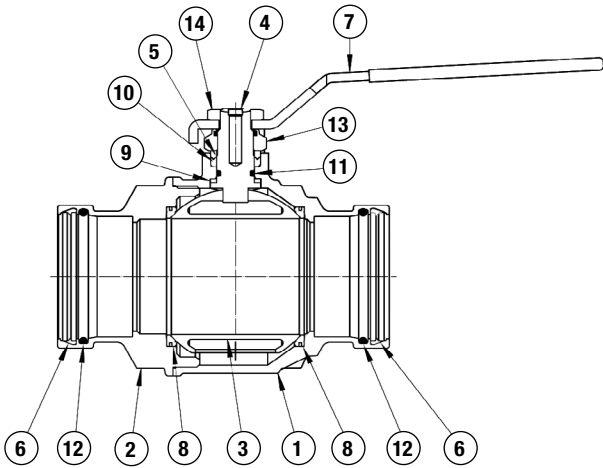
Dimensions-Weights

ORDERING CODE	SIZE			DIMENSIONS								WEIGHT			
	PFT <i>in</i>	ØP <i>in</i>	<i>mm</i>	Q <i>in</i>	<i>mm</i>	ØH <i>in</i>	<i>mm</i>	L <i>in</i>	<i>mm</i>	H <i>in</i>	<i>mm</i>	R <i>in</i>	<i>mm</i>	Lbs	kgs
88005493	1/2	9/16	14.5	1 1/8	28.0	1 3/16	30.0	3 3/8	86.5	1 11/16	42.2	3 13/16	97.0	0.51	0.23
88005494	3/4	3/4	19.0	1 3/16	30.0	1 1/2	37.5	3 7/8	97.9	1 15/16	48.7	3 13/16	97.0	0.78	0.35
88005495	1	1	25.0	1 3/16	30.0	1 7/8	47.0	4 1/8	105.0	2 5/16	58.5	4 7/16	112.0	1.22	0.55
88005496	1 1/4	1 1/4	32.0	1 3/16	30.0	2 1/4	57.0	4 9/16	116.5	2 3/4	69.3	5 3/16	132.0	1.67	0.76
88005497	1 1/2	1 1/8	39.0	1 3/8	35.0	2 11/16	69.0	5 1/16	131.1	2 15/16	74.5	5 3/16	132.0	2.42	1.10
88005498	2	1 15/16	50.0	1 9/16	40.0	3 3/8	86.5	6	152.5	3 7/16	88.0	6 7/16	163.5	3.87	1.76

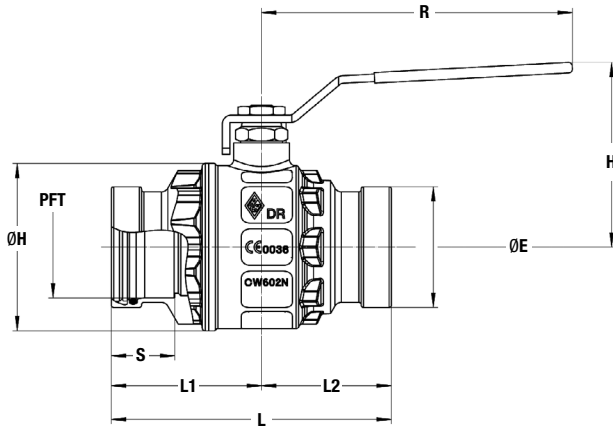
ACCESSORIES					
Stem Extension		Locking Handle		Replacement Handle	
Ordering Code	Description	Ordering Code	Description	Ordering Code	Description
88005505	1/2" - 3/4" HK SXI-Press-M2	0789520	Locking Handle KIT For 1/2" LFBV 3 Press	0789527	Replacement Handle KIT For 1/2" - 3/4" LFBV 3 Press
88005507	1 HK SXI-Press-M2	0789525	Locking Handle KIT For 3/4" LFBV 3 Press	0789528	Replacement Handle KIT 1" LFBV 3 Press
88005508	1 1/4" - 1 1/2" HK SXI-Press-M2	0789521	Locking Handle KIT 1" LFBV 3 Press	0789529	Replacement Handle KIT 1 1/4" - 1 1/2" LFBV 3 Press
88005510	2 HK SXI-Press-M2	0789522	Locking Handle KIT 1 1/4" - 1 1/2" LFBV 3 Press	0789530	Replacement Handle KIT For 2" LFBV 3 Press
-	-	0789523	Locking Handle KIT For 2" LFBV 3 Press	-	-

Large Size Valves 2½" to 4"

Materials



N POS	PART NAME	MATERIAL
1	Body	Brass (DZR per requirements of ISO 6509)
2	Adaptor	Brass (DZR per requirements of ISO 6509)
3	Ball	Brass (DZR per requirements of ISO 6509)
4	Stem	Brass (DZR per requirements of ISO 6509)
5	Packing Gland	Lead Free* brass
6	Compression Ring	Steel
7	Handle	Steel DD11
8	Ball Seat	PTFE
9	Stem Seal/Thrust Washer	PTFE
10	Stem Seal	PTFE
11	O-ring	NBR
12	O-ring	EPDM
13	Nut	Steel CL 04
14	Nut	Steel CL 04



Dimensions – Weights

ORDERING CODE	SIZE		DIMENSIONS								WEIGHT			
	in.	mm	in.	mm	in.	mm	in.	mm	in.	mm	Lbs	Kgs		
88005499	2½"	61.4934	1.575	40.005	4.173	105.9942	6.5	165.1	4.61	117.094	9.45	240.03	7.165	3.25
88005500	3"	73.5076	1.77	44.958	4.882	124.0028	7.38	187.452	4.96	125.984	9.45	240.03	9.8	4.45
88005501	4"	97.5106	2.125	53.975	6.299	159.9946	9.21	233.934	5.91	150.114	9.53	242.062	17.62	7.99

ACCESSORIES					
Stem Extension		Locking Handle		Replacement Handle	
Ordering Code	Description	Ordering Code	Description	Ordering Code	Description
88005568	2-1/2" - 3 HK SXI-Press-M2	0789524	Locking Handle KIT For 2 1/2" - 3" LFBV 3 Press	0789531	Replacement Handle KIT For 2 1/2" - 3" LFBV 3 Press
88005570	4 HK SXI-Press-M2	0789526	Locking Handle KIT For 4" LFBV 3 Press	0789533	Replacement Handle KIT For 4" LFBV 3 Press



USA: T: (978) 689-6066 • Watts.com
 Canada: T: (888) 208-8927 • Watts.ca
 Latin America: T: (52) 55-4122-0138 • Watts.com