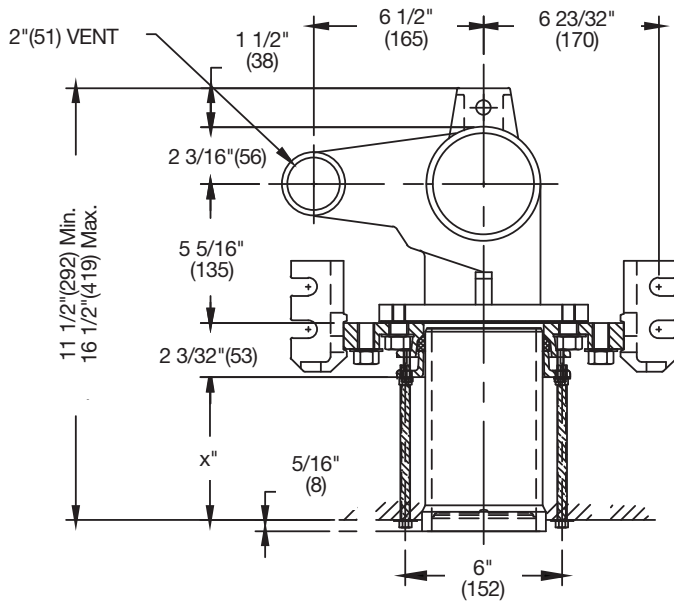




**ISCA-121-BF**  
 Tag: \_\_\_\_\_

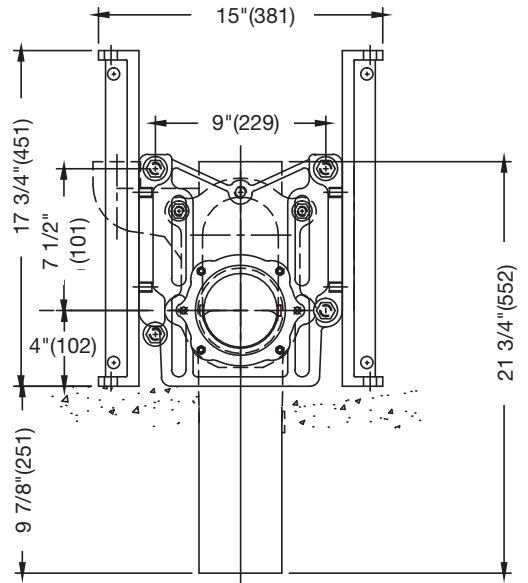
**Industry Standard  
 Vertical Carrier for Floor  
 Mounted Back Outlet Bowl**

**SPECIFICATION:** Watts Drainage ISCA-121-BF *Industry Standard* vertical water closet carrier for floor mounted back outlet bowl, with epoxy coated cast iron fitting, 4" (102) no hub waste and 2" (51) no hub vent connections, epoxy coated cast iron foot supports and patented compression seal faceplate assembly, ABS nipple with integral test cap and neoprene bowl gasket, plated hardware and chrome cap nuts.



Options (Select One or More)	
Suffix	Description
-CI	Cast Iron Nipple <input type="checkbox"/>
-HS	Hub & Spigot Connections <input type="checkbox"/>
-US	Buy American Compliant <input type="checkbox"/>

**NOTICE**  
 Anchor legs to concrete floor with minimum 1/2" (13) anchor bolts (by others).  
 Dual slotted carrier feet require one 1/2" (13) anchor bolt per foot.  
**X = 5-3/4" (146) Maximum with Standard Nipple**



**NOTICE**  
 The information contained herein is not intended to replace the full product installation and safety information available or the experience of a trained product installer. You are required to thoroughly read all installation instructions and product safety information before beginning the installation of this product.

Job Name \_\_\_\_\_  
 Job Location \_\_\_\_\_  
 Engineer \_\_\_\_\_

Contractor \_\_\_\_\_  
 Contractor's P.O. No. \_\_\_\_\_  
 Representative \_\_\_\_\_

Watts product specifications in U.S. customary units and metric are approximate and are provided for reference only. For precise measurements, please contact Watts Technical Service. Watts reserves the right to change or modify product design, construction, specifications, or materials without prior notice and without incurring any obligation to make such changes and modifications on Watts products previously or subsequently sold.



**USA:** Tel: (800) 338-2581 • Fax: (828) 248-3929 • Watts.com  
**Canada:** Tel: (905) 332-4090 • Fax: (905) 332-7068 • Watts.ca  
**Latin America:** Tel: (52) 81-1001-8600 • Fax: (52) 81-8000-7091 • Watts.com

ES-WD-ISCA-121-BF-USA 1744