

Engineering Specification

Job Name _____

Contractor _____

Job Location _____

Approval _____

Engineer _____

Contractor's P.O. No. _____

Approval _____

Representative _____

FS-700

8" Round x 3" Deep Sanitary Floor Sink

Specification

Watts FS-700 8" Round x 3" Deep flanged sanitary floor sink with white acid resistant porcelain enamel coated interior, loose set porcelain enamel coated cast iron grate, polypropylene dome bottom strainer, and no hub (standard) outlet.

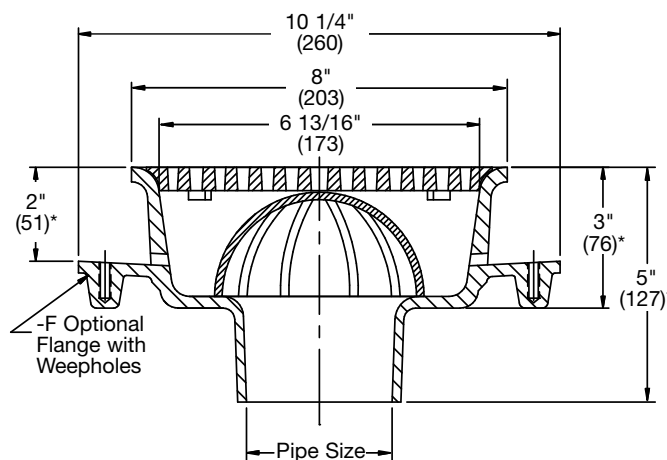


Call customer service if you need assistance with technical details.

PIPE SIZING	
SUFFIX	DESCRIPTION
2	2"(51) Pipe Size
3	3"(76) Pipe Size
4	4"(102) Pipe Size

OUTLET TYPE	
SUFFIX	DESCRIPTION
NH	No-Hub (MJ)
P	Push-On

OPTIONS	
SUFFIX	DESCRIPTION
-FC	Flashing Clamp
-1	Nickel Bronze Top
-5	Sediment Bucket
-6	Vandal Proof
-7	Trap Primer Tapping
-21	Secondary Strainer
-33	Less Grate
-150	1/2 Grate
-175	3/4 Grate
-F4-1	4" Round Nickel Bronze Funnel
-F6-1	6" Round Nickel Bronze Funnel
-G-1	4" x 9" Oval Nickel Bronze Funnel



*Add 5/8"(16) for -1 Nickel Bronze Rim & Grate

NOTICE

The information contained herein is not intended to replace the full product installation and safety information available or the experience of a trained product installer. You are required to thoroughly read all installation instructions and product safety information before beginning the installation of this product.

Watts product specifications in U.S. customary units and metric are approximate and are provided for reference only. For precise measurements, please contact Watts Technical Service. Watts reserves the right to change or modify product design, construction, specifications, or materials without prior notice and without incurring any obligation to make such changes and modifications on Watts products previously or subsequently sold.



USA: T: (800) 338-2581 • Watts.com
Canada: T: (888) 208-8927 • Watts.ca
Latin America: T: (52) 55-4122-0138 • Watts.com