

# For Commercial Applications

Job Name \_\_\_\_\_

Job Location \_\_\_\_\_

Engineer \_\_\_\_\_

Approval \_\_\_\_\_

Tag \_\_\_\_\_

Contractor \_\_\_\_\_

Approval \_\_\_\_\_

Contractor's P.O. No. \_\_\_\_\_

Representative \_\_\_\_\_

## CO-200-R

### Floor Cleanout With Round Top

#### Specification

Watts CO-200-R epoxy coated cast iron floor cleanout with 5"(127) round adjustable gasketed nickel bronze top, removable gas tight gasketed brass cleanout plug, and no hub (standard) outlet.

| Pipe Sizing (Select One) |                    |                          |
|--------------------------|--------------------|--------------------------|
| Size                     | Description        |                          |
| 2                        | 2"(51) Pipe Size   | <input type="checkbox"/> |
| 3                        | 3"(76) Pipe Size   | <input type="checkbox"/> |
| 4                        | 4"(102) Pipe Sized | <input type="checkbox"/> |

| Outlet Type (Select One) |              |                          |
|--------------------------|--------------|--------------------------|
| Size                     | Description  |                          |
| NH                       | No Hub (MJ)  | <input type="checkbox"/> |
| P                        | Push-On      | <input type="checkbox"/> |
| X                        | Inside Caulk | <input type="checkbox"/> |

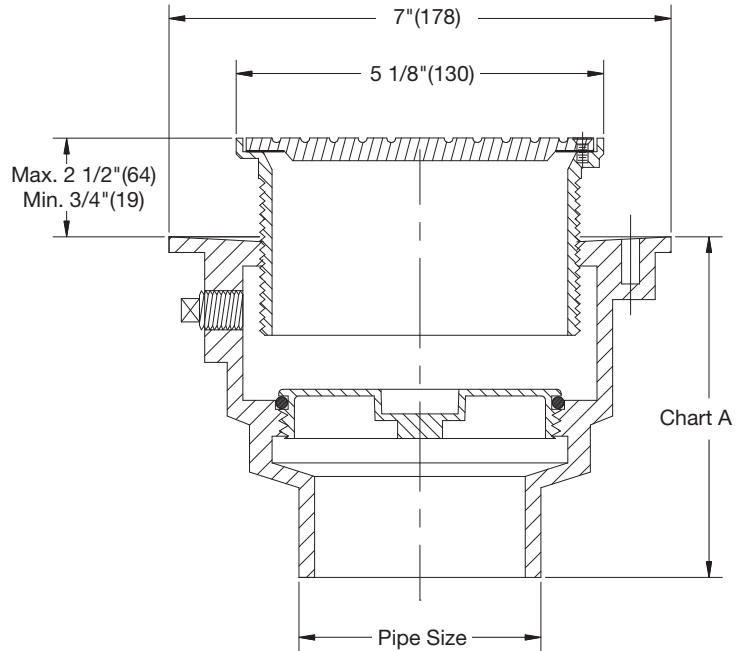
| Options (Select One or More) |                        |                          |
|------------------------------|------------------------|--------------------------|
| Size                         | Description            |                          |
| -C                           | Membrane Clamp         | <input type="checkbox"/> |
| -6                           | Vandal Proof           | <input type="checkbox"/> |
| -13                          | Galvanized Body        | <input type="checkbox"/> |
| -CF                          | Carpet Clamping Flange | <input type="checkbox"/> |
| -US                          | Buy American Compliant | <input type="checkbox"/> |

| Optional Body Material |                      |                          |
|------------------------|----------------------|--------------------------|
| Size                   | Description          |                          |
| -60                    | PVC Body w/Poly Plug | <input type="checkbox"/> |
| -61                    | ABS Body w/Poly Plug | <input type="checkbox"/> |

| Load Rating |
|-------------|
| MD          |

**NOTICE**

The load classifications are in accordance with the American National Standards ASME A112.21.1M ASME Ratings are as follows:  
 MD - Safe Live Load 2000-4999 lbs. (900-2250 kg.)  
 The above categories are given as a guide only.  
 Please consult factory.



| Chart A   |        |         |         |
|-----------|--------|---------|---------|
| Pipe Size | NH     | Push-On | PVC/ABS |
| 2"        | 4-3/4" | 5-1/2"  | 4"      |
| 3"        | 4-3/4" | 5-1/2"  | 4"      |
| 4"        | 4-3/4" | 5-1/2"  | 4"      |

### Approvals



**NOTICE**

The information contained herein is not intended to replace the full product installation and safety information available or the experience of a trained product installer. You are required to thoroughly read all installation instructions and product safety information before beginning the installation of this product.

Watts product specifications in U.S. customary units and metric are approximate and are provided for reference only. For precise measurements, please contact Watts Technical Service. Watts reserves the right to change or modify product design, construction, specifications, or materials without prior notice and without incurring any obligation to make such changes and modifications on Watts products previously or subsequently sold.

