

Engineering Specification

Job Name _____

Contractor _____

Job Location _____

Approval _____

Engineer _____

Contractor's P.O. No. _____

Approval _____

Representative _____

RD-280-SO Flanged Cast Iron Roof Drain with Side Outlet Specification

Watts RD-280-SO cast iron roof drain with deck flange with countersunk securing holes, flashing clamp with integral gravel guard, self-locking cast iron dome, and no hub side outlet.



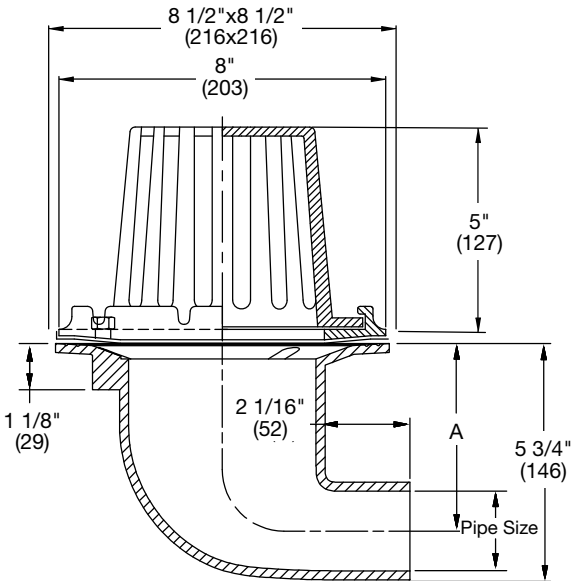
Call customer service if you need assistance with technical details.

Pipe Sizing		
Suffix	Description	
2	2"(51) Pipe Size	<input type="checkbox"/>
3	3"(76) Pipe Size	<input type="checkbox"/>
4	4"(102) Pipe Size (NH Only)	<input type="checkbox"/>

Options		
Suffix	Description	
-L	Vandal Proof Dome	<input type="checkbox"/>
-R	2"(51) External Water Dam	<input type="checkbox"/>

Free Area Sq. In.
35

Deck Opening: 8 3/8"(213) Dia.



NOTICE

The information contained herein is not intended to replace the full product installation and safety information available or the experience of a trained product installer. You are required to thoroughly read all installation instructions and product safety information before beginning the installation of this product.

Watts product specifications in U.S. customary units and metric are approximate and are provided for reference only. For precise measurements, please contact Watts Technical Service. Watts reserves the right to change or modify product design, construction, specifications, or materials without prior notice and without incurring any obligation to make such changes and modifications on Watts products previously or subsequently sold.



USA: T: (800) 338-2581 • Watts.com
Canada: T: (888) 208-8927 • Watts.ca
Latin America: T: (52) 55-4122-0138 • Watts.com
 ES-WD-RD-280-SO 2446

