

Engineering Specification

Job Name _____

Contractor _____

Job Location _____

Approval _____

Engineer _____

Contractor's P.O. No. _____

Approval _____

Representative _____

GRD-640

Green Roof Metered Overflow Drain

Specification

Watts GRD-640 epoxy coated cast iron green roof metered overflow drain with flashing clamp, ABS standpipe with 5/8" orifice, perforated stainless steel gravel guard with secured solid cover, and no hub (standard) outlet.



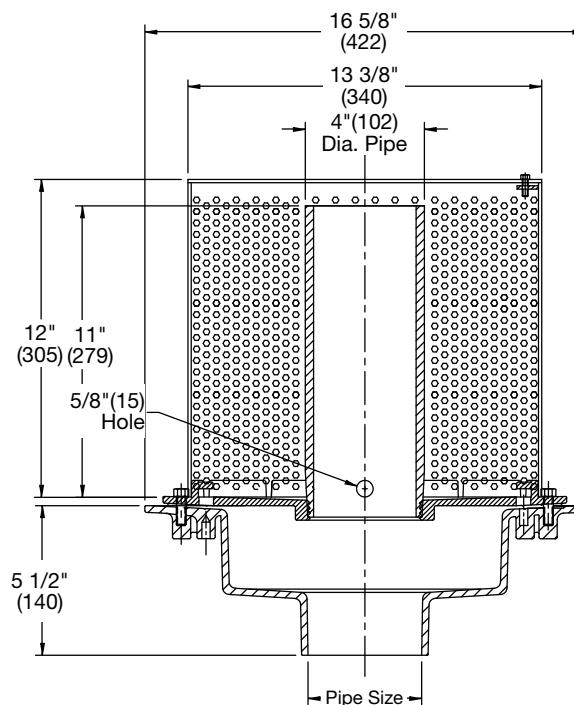
Call customer service if you need assistance with technical details.

| Pipe Sizing | | |
|-------------|------------------------------|--------------------------|
| Suffix | Description | |
| 2 | 2"(51) Pipe Size (NH Only) | <input type="checkbox"/> |
| 3 | 3"(76) Pipe Size | <input type="checkbox"/> |
| 4 | 4"(102) Pipe Size | <input type="checkbox"/> |
| 5 | 5"(127) Pipe Size (NH Only) | <input type="checkbox"/> |
| 6 | 6"(152) Pipe Size | <input type="checkbox"/> |
| 8 | 8"(203) Pipe Size | <input type="checkbox"/> |
| 10 | 10"(254) Pipe Size (NH Only) | <input type="checkbox"/> |

| Outlet Type | | |
|-------------|--------------|--------------------------|
| Suffix | Description | |
| NH | No Hub (MJ) | <input type="checkbox"/> |
| P | Push On | <input type="checkbox"/> |
| X | Inside Caulk | <input type="checkbox"/> |

| Options | | |
|---------|-----------------------------|--|
| Suffix | Description | |
| -13 | Galv. Body & Flashing Clamp | |
| -B | Sump Receiver | |
| -D | Underdeck Clamp | |
| -F | Deck Flange/Adj. Extension | |

**Deck Opening: 14 1/2"(368)
with Sump Receiver 18"(457)**



NOTICE

The information contained herein is not intended to replace the full product installation and safety information available or the experience of a trained product installer. You are required to thoroughly read all installation instructions and product safety information before beginning the installation of this product.

Watts product specifications in U.S. customary units and metric are approximate and are provided for reference only. For precise measurements, please contact Watts Technical Service. Watts reserves the right to change or modify product design, construction, specifications, or materials without prior notice and without incurring any obligation to make such changes and modifications on Watts products previously or subsequently sold.



USA: T: (800) 338-2581 • Watts.com

Canada: T: (888) 208-8927 • Watts.ca

Latin America: T: (52) 55-4122-0138 • Watts.com

