

Engineering Specification

Job Name _____
 Job Location _____
 Engineer _____
 Approval _____

Contractor _____
 Approval _____
 Contractor's P.O. No. _____
 Representative _____

ISCA-133-D

Industry Standard Back-to-Back Vertical 750 lb. Closet Carrier with Side Inlet(s)

Specification

Watts ISCA-133-D *Industry Standard* back-to-back vertical adjustable water closet carrier with epoxy coated cast iron fitting, 4" no hub waste and 2" no hub vent connections, 4" no hub side inlet(s), epoxy coated ductile iron patented compression seal faceplate assembly, and epoxy coated ductile iron foot supports with incremental height markings. Adjustable for standard and wheelchair height, adjustable ABS nipple with integral test cap and neoprene bowl gasket, plated hardware and chrome plated cap nuts. Carrier complies with requirements of ASME A112.6.1M up to a 750 lb. static load.

Call customer service if you need assistance with technical details.

Options	
Suffix	Description
-CI	Cast Iron Nipple
-HS	Hub & Spigot Connections
-M11	Tiling Frame
-M20	Flush Valve Support

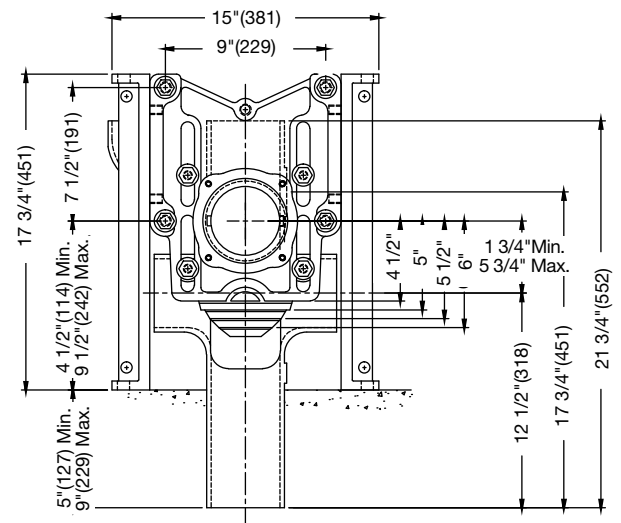
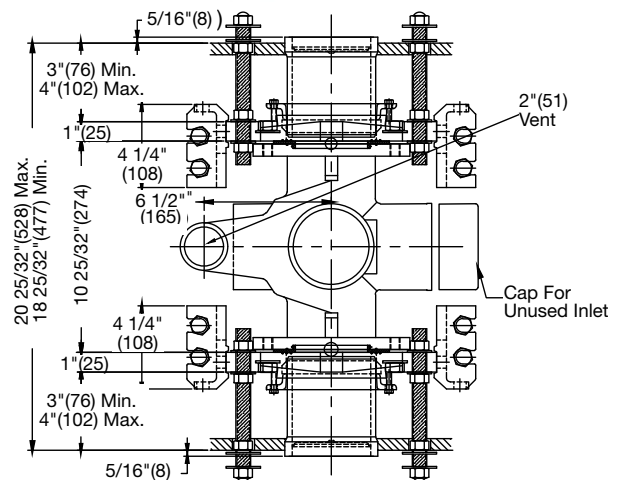
NOTICE

All foot supports must be securely anchored to concrete floor with minimum 1/2"(13) anchors with pull-out force of 500 lbs. (227 kg).

Dual slotted carrier feet require one 1/2"(13) anchor bolt per foot.

NOTICE

The information contained herein is not intended to replace the full product installation and safety information available or the experience of a trained product installer. You are required to thoroughly read all installation instructions and product safety information before beginning the installation of this product.



Watts product specifications in U.S. customary units and metric are approximate and are provided for reference only. For precise measurements, please contact Watts Technical Service. Watts reserves the right to change or modify product design, construction, specifications, or materials without prior notice and without incurring any obligation to make such changes and modifications on Watts products previously or subsequently sold.



USA: T: (800) 338-2581 • Watts.com
 Canada: T: (888) 208-8927 • Watts.ca
 Latin America: T: (52) 55-4122-0138 • Watts.com