

For Steam or Liquid Applications

Job Name _____
 Job Location _____
 Engineer _____
 Approval _____

Contractor _____
 Approval _____
 Contractor's P.O. No. _____
 Representative _____

Series 152SS

Process Regulators

Sizes 1/2", 3/4" and 1" (15, 20 and 25mm)

This design offers highly sensitive response to reduced pressure changes and maintains fullest possible volume without appreciable reduced pressure drop. They are used successfully on applications such as oil lines, testing fixtures, autoclaves, steam tables, steam irons, single radiators, vulcanizers, sterilizers, and process lines.

An exclusive, feature which has been added at no extra cost is a "sensitivity adjuster" which eliminates any vibrating condition which may arise from critical flow requirements.

Features

- Versatile design in stainless steel
- In-Line Serviceability
- "Sensitivity Adjuster"

Models

No. 152SS - Stainless Steel body

No. 152SST - tight seating model for dead end service.

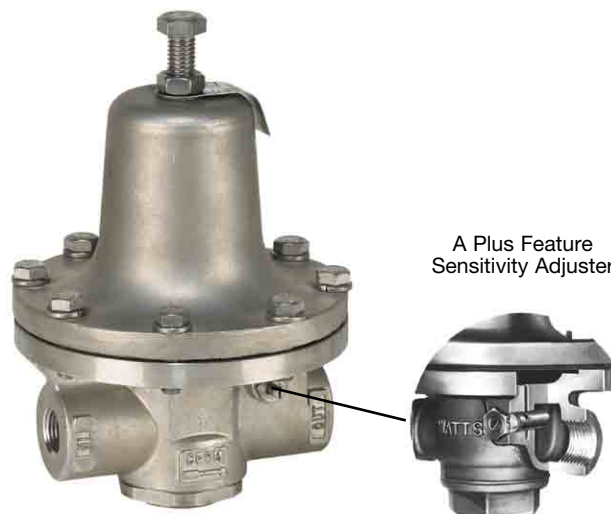
Materials

- | | |
|--|--------|
| 1- Adjusting Screw (HHSTB) | 316SS |
| 2- Adjusting Screw Nut | 316SS |
| 3- Spring Cage | CF8M |
| 4- Spring Button | 316SS |
| 5- Adjusting Spring by Range (psi) | |
| 3-15 | 302SS |
| 10-50 | 316SS |
| 30-140 | 316SS |
| 6- Diaphragm Plate | 316SS |
| 7- Diaphragm | 316SS |
| 8- Flange Screw (HHSCS) (SS) | 316SS |
| 9- Diaphragm Button & Stem Assembly | 304SS |
| 10- Seat | 304SS |
| • 11- Disc (152SS) | 316SS |
| 12- Bottom Spring | 304SS |
| 13- Body | CF8M |
| 14- Strainer | 304SS |
| 15- Bottom Plug | CF8M |
| • 11- Disc (152SST) Tight Seating Option | Teflon |

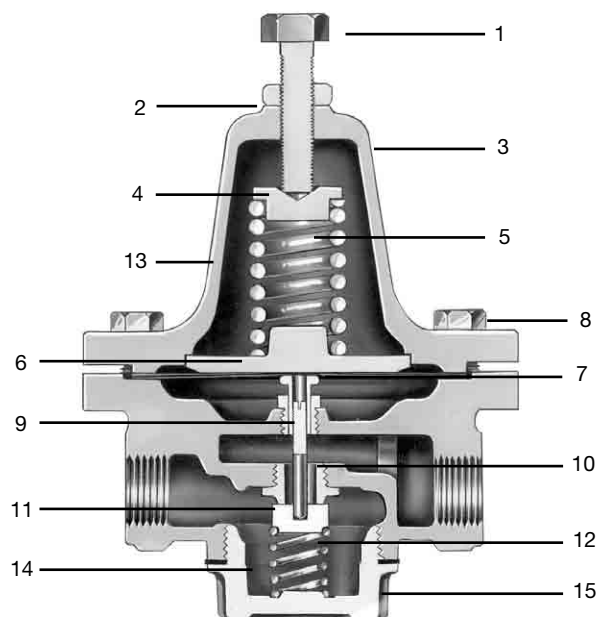
Pressure – Temperature

152-SS - for maximum supply pressure up to 300psi @ 420°F
 (21.1 bar @ 216°C).

152-SST - operating temperatures are 300°F at 300psi and 400°F
 at 200psi (149°C @ 21.1 bar and 204°C @ 14.1 bar).



Basic Design Features

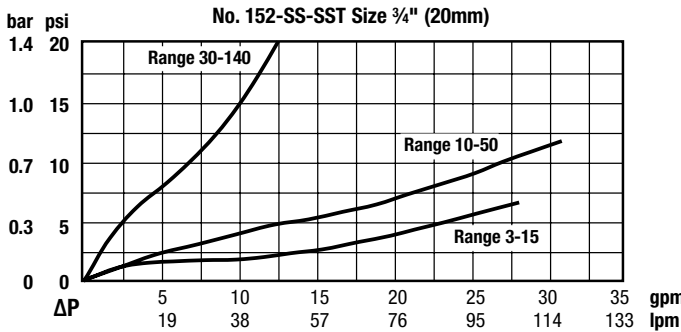
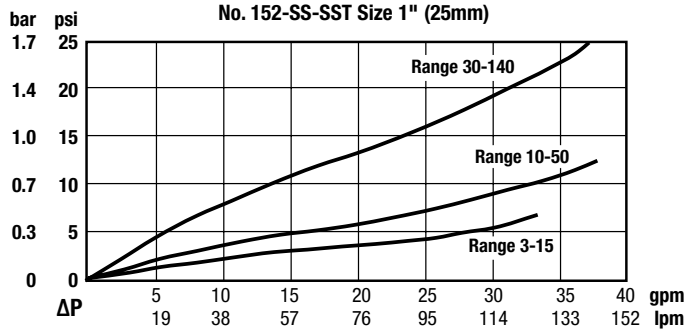
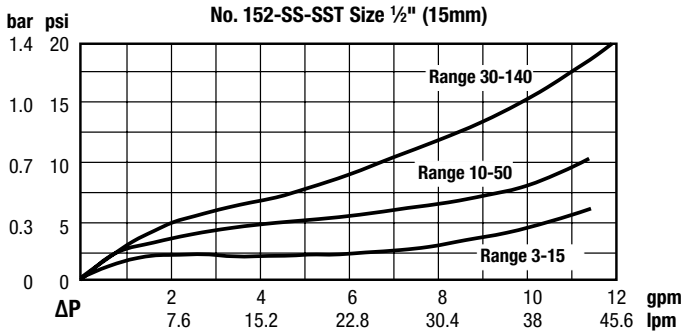


QUICK REFERENCE CAPACITY CHART FOR AVERAGE CONDITION

	From		From		From		From		From		From		From		From		From	
	psi	bar	psi	bar	psi	bar	psi	bar	psi	bar	psi	bar	psi	bar	psi	bar	psi	bar
Initial Pressure	50	3.52	75	5.27	100	7.03	125	8.79	150	10.55	175	12.30	200	14.06	225	15.82	250	17.58
	UP TO		UP TO		UP TO		UP TO		UP TO		UP TO		UP TO		UP TO		UP TO	
Reduced Pressure	20	1.41	35	2.46	50	3.52	60	4.22	70	4.92	80	5.62	90	6.33	100	7.03	125	8.79
	in.	mm	* MAXIMUM CAPACITIES IN LBS. OF STEAM PER HOUR															
152-SS-SST	½	15	80	111	143	175	205	237	270	299	332							
152-SS-SST	¾	20	285	394	506	620	726	841	945	1050	1178							
152-SS-SST	1	25	402	557	715	875	1025	1186	1349	1497	1663							

* 1 Lb. Steam Equals 970 BTU Per Hour

Capacity



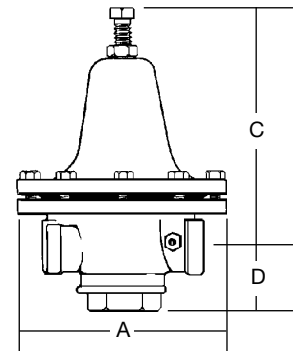
Adjusting Spring Range Chart

152-SS Series

SIZE		*ADJUSTABLE RANGES		SPRING AND MODEL NO.
in.	mm	psi	bar	SS
½ - ¾ - 1	15-20-25	3 - 15	.21 - 1.05	128
		10 - 50	.70 - 3.52	591
		30 - 140	2.11 - 9.84	592

Dimensions – Weights

MODEL	SIZE		DIMENSIONS						WEIGHT	
	in.	mm	A		C		D		lbs.	kgs.
152-SS	½, ¾, 1	15,20,25	in.	mm	in.	mm	in.	mm	11	4.99
152-SST			6	152	7	178	1¼	44	11	4.99



A Watts Water Technologies Company



USA: Tel: (978) 688-1811 • Fax: (978) 794-1848 • www.watts.com
 Canada: Tel: (905) 332-4090 • Fax: (905) 332-7068 • www.wattscanada.ca