

For Residential and Commercial Applications

Job Name _____

Contractor _____

Job Location _____

Approval _____

Engineer _____

Contractor's P.O. No. _____

Approval _____

Representative _____

LEAD FREE*

WaterPEX® Stud Reels

WaterPEX® Tubing is a cross-linked polyethylene tubing used for potable water applications. WaterPEX® is manufactured without an oxygen barrier.

Temperature – Pressure

Maximum Working Pressure:

160psi (11 bar) @ 73.4°F (23°C)

100psi (6.9 bar) @ 180°F (80°C)

80psi (5.5 bar) @ 200°F (93°C)

Specifications

System shall be plumbed using Watts cross-linked polyethylene pipe, and all joints shall be made using Watts brass CrimpRing™ and/or Poly-alloy CrimpRing™ fittings using either the Watts copper CrimpRing™ or stainless steel CinchClamp™** crimping methods as outlined in the Watts Installation Guidelines.

Installation Note

WaterPEX® must be installed in accordance with all Watts installation procedures, including information provided in installation manual and guidelines.

WaterPEX® Stud Reels are not approved for fire protection applications.

Connections

WaterPEX® is connected to WaterPEX® manifolds or barbed fittings using one of two connection systems, depending on manifold type or fitting system specified. See chart below:

✓ FITTING STYLE	DESCRIPTION
CrimpRing Fittings	Ductile Copper CrimpRing™ compressed over WaterPEX/CrimpRing fitting.
Compression Fittings	Brass Compression Nut tightened around WaterPEX® and CompNut™ fitting.

*The wetted surface of this product contacted by consumable water contains less than one quarter of one percent (0.25%) of lead by weight.

**Note: Watts WaterPEX CinchClamp™ fittings should not be used with wrought copper PEX fittings.



WPSR

Approvals



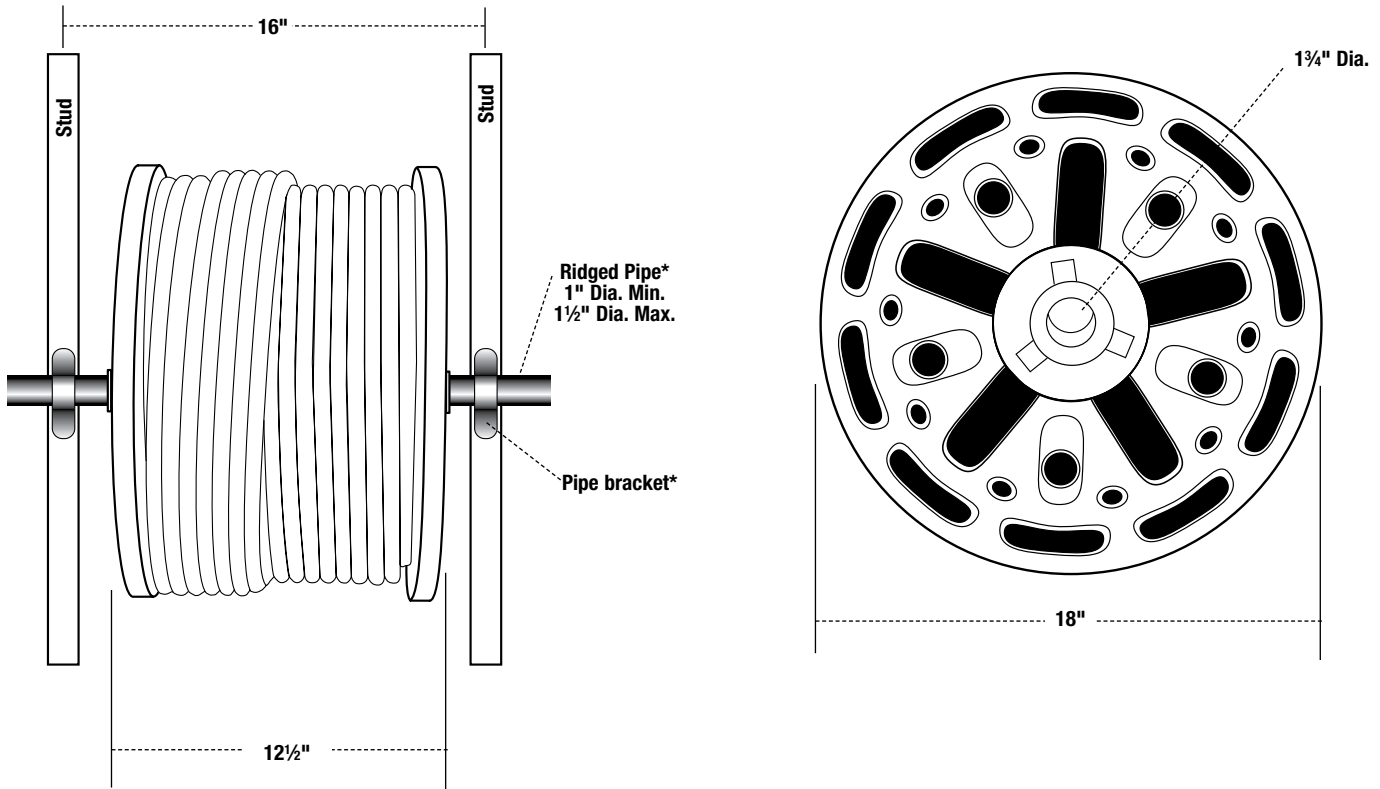
- Manufactured in accordance with American Society for Testing and Materials (ASTM International) F876 and F877 to SDR-9 dimensional standards
- Listed by the NSF International to NSF Standards 14 and 61 for use in potable water systems
- Listed by NSF International to be in compliance to the Uniform Plumbing Code
- Labeled B137.5 which indicates that it is compliant to the CSA Standards B137.5

Watts product specifications in U.S. customary units and metric are approximate and are provided for reference only. For precise measurements, please contact Watts Technical Service. Watts reserves the right to change or modify product design, construction, specifications, or materials without prior notice and without incurring any obligation to make such changes and modifications on Watts products previously or subsequently sold.

WATTS®

Dimensions – Weights

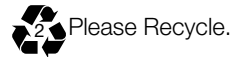
MODEL	NOMINAL TUBING SIZE				COIL LENGTH		BEND RADIUS		FLUID CAPACITY PER 100 FEET		PKG WT.	
	in.	ID mm	in.	OD mm	feet	cm	in.	mm	gal.	ltr.	lbs.	kgs.
Red												
WPSR06-500R	3/8	10	1/2	15	500	15240	4	102	0.53	2.01	31.75	14.4
WPSR08-300R	1/2	15	5/8	16	300	9144	5	127	0.96	3.65	23.5	10.7
Blue												
WPSR06-500B	3/8	10	1/2	15	500	15240	4	102	0.53	2.01	31.75	14.4
WPSR08-300B	1/2	15	5/8	16	300	9144	5	127	0.96	3.65	23.5	10.7



* Not Included

To secure Stud Reel for use, insert a ridged metal pipe or bar (18" length minimum) through center hole of plastic reel. Secure both ends of the axle to outside face of stud with ridged pipe brackets. Uncoil PEX pipe as required.

Note: WaterPEX Stud Reels are made from HDPE plastic.



WATTS®

A Watts Water Technologies Company



**ISO 9001-2008
CERTIFIED**

USA: No. Andover, MA • Tel: (978) 688-1811 • Fax: (978) 794-1848 • www.watts.com
Canada: Burlington, ON • Tel: (905) 332-4090 • Fax: (905) 332-7068 • www.wattscanada.ca