

A Burst Washing Machine Hose Can Discharge 500 Gallons of Water in One Hour

Make sure your customers don't find out the hard way.

Next time you install a washing machine shutoff valve, don't do your customers a disservice. Protect their investment with the IntelliFlow®. The Watts IntelliFlow® Automatic Washing Machine Shutoff Valve uses a state-of-the-art electronic control device that senses the washing machine current flow. When the washing machine is turned on, the controls detect the current flow to the washer, opening both hot and cold water inlet valves to allow water to flow to the washing machine. When the washing machine completes the full cycle,

the IntelliFlow® senses the lack of current and closes the water inlet valves. These valves remain closed until the machine is used again. The IntelliFlow®'s automatic operation and floor mounted leak sensor protect against catastrophic water damage should a washing machine inlet hose burst while the machine is in use or unattended.

The IntelliFlow® is also available in a variety of retrofit kits to simplify installation where other washing machine shutoff

valves exist. Customers enjoy peace of mind by not having to remember to shutoff old manual style shutoff valves — the IntelliFlow® does it automatically!



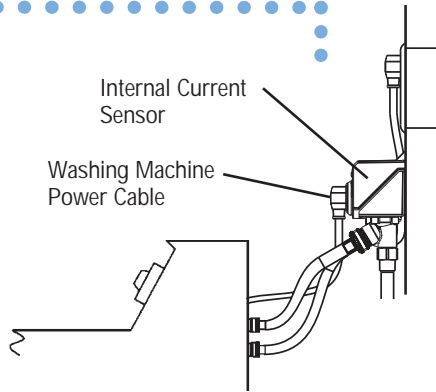
Watts IntelliFlow® Features

- Easy installation
- Silent reliable operation
- Replaceable internal strainer screen
- Comes standard with floor mounted leak sensor. Provides additional protection against water damage if a hose should burst while the machine is running. Upon detection of water at the sensor, the IntelliFlow automatically shuts off the water supply to the washing machine.
- Available in a variety of retrofit kits to meet your installation needs



How It Works

The Watts IntelliFlow® is equipped with a state-of-the-art electric current sensing device. When the washing machine is turned on, the IntelliFlow senses the current flowing to the washing machine and opens the supply of water to the washing machine. Upon completion of the full wash cycle, the washing machine shuts off, cutting off the current. The IntelliFlow® senses this lack of current and closes both the hot and cold water supplies.



Typical Installations

The Watts IntelliFlow can be installed in new construction or as an upgrade to existing installations.



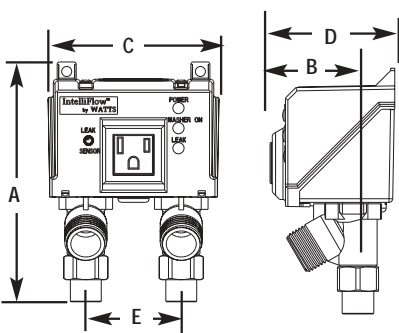
Model A2C-WB-M1
For Recessed Wall Mounting



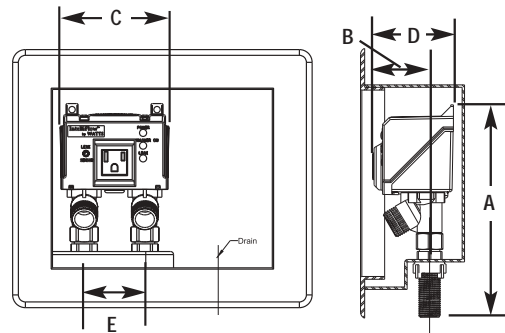
Model A2C-M1
For surface mounting or retrofit installation

Dimensions/Weights

Model A2C-M1



Model A2C-WB-M1



Model No.	Size in. mm	Ordering Code No.	Dimensions					Weight	
			A in. mm	B in. mm	C in. mm	D in. mm	E in. mm	lbs.	kg
A2C-M1	1/2 13	0004640	6 152	2 1/8 54	4 1/4 108	3 1/32 77	2 3/8 60	2.0	.9
A2C-M1-WB	1/2 13	0004646	8 203	2 1/8 54	4 1/4 108	3 1/32 77	2 3/8 60	3.5	1.6

Easy Installation

The Watts A2C-M1 IntelliFlow® comes equipped with 1/2" (13mm) sweat adapters to receive tubing. Either connection may be used for the hot or cold water supply because the A2C-M1 is equipped with long wearing Buna-N diaphragms for long life. Water supply connections are 2 3/8" (60mm) on centers.

No electrical wiring is required. Simply plug the washing machine power cord into the IntelliFlow® and plug it to the standard 15A, GFI†, 115 volt outlet.

†Ground fault interrupter circuit

CAUTION: Use of the Watts Automatic Washing Machine Valve outlet for appliances other than a washing machine is not recommended and voids the warranty.

Note: This valve cannot be used for 230 VAC, 3 phase appliances.

Leak Sensor



Used in conjunction with the A2C-M1 or A2C-WB-M1, the leak sensor provides the maximum level of protection. Should water be detected at the leak sensor at any time, the water flow to the washing machine hoses will be cut off immediately. This protects against catastrophic water damage regardless of the operating cycle of the washing machine. The leak sensor comes standard with both IntelliFlow® models.

Specifications

Mechanical

Maximum Pressure: 150psi (10 bars)

Maximum Temperature: 180°F (82°C)

Electrical

115 VAC, 15A, 60Hz

Cord: 5 ft.

Current draw (with appliance off): 20mA

Maximum appliance current rating: 15A

Circuit breaker requirement: 15 amp. GFI†

†Note: It is suggested that the electrical power source be ground fault protected.

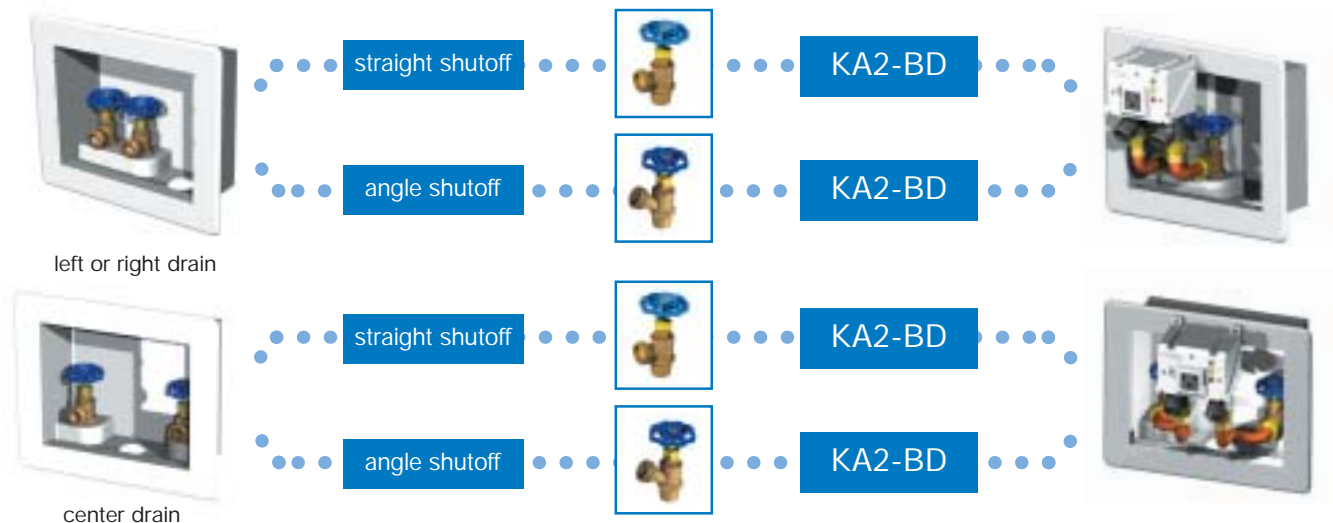
IntelliFlow® Retrofit Kit Options

Watts IntelliFlow® Retrofit Installation Kit

These mounting kits are specifically used to install the Watts Model A2C-M1 IntelliFlow® automatic washing machine shutoff valve to existing drain valves.

If Your Current Installation Looks Like:

Final Installation Will Look Like:



Watts IntelliFlow® Retrofit Kit KA2-R

This kit is used to replace the following Watts IntelliFlow® Models:
A2-WB, A2C-WB, A2C-WB-M with the new IntelliFlow Model A2C-M1.

If Your Current Installation Looks Like:

Final Installation Will Look Like:



Watts IntelliFlow® Retrofit Kit KA2-A

This kit is used to replace the following Watts washing machine shutoff valves: the wall mounted Watts Models #2 Duo-Cloz valve and the wall mounted IntelliFlow® Models: A2, A2C, A2C-M with the new Watts IntelliFlow Model A2C-M1.

If Your Current Installation Looks Like:

Final Installation Will Look Like:



For more information visit the Watts IntelliFlow® website at: www.watts-IntelliFlow.com

Watts IntelliFlow® Accessories

IntelliTimer

The Watts A2-IntelliTimer is used in conjunction with the Watts IntelliFlow® Automatic Washing Machine Shutoff Valve. It is a remote timer which allows the IntelliFlow® to be used in applications where the washing machine or a combination washer/dryer is 220 VAC powered. (The IntelliFlow® is not compatible with 220 VAC powered appliances). The timer initiates a two-hour cycle when the button is depressed.

The A2-IntelliTimer low voltage power supply is plugged into the IntelliFlow® power outlet. The remote solid-state timer is installed in a location that is convenient to the user and connected to the low voltage power supply.

Activation of the push button on the timer causes current flow, which is detected by the IntelliFlow®. The IntelliFlow® then actuates the solenoid valves, allowing water to flow to the washing machine. This also begins a timing sequence of two hours, which, upon its completion, deenergizes the IntelliFlow®, shutting off the flow of water to the washing machine. The timing sequence can be interrupted by activating the push button a second time.

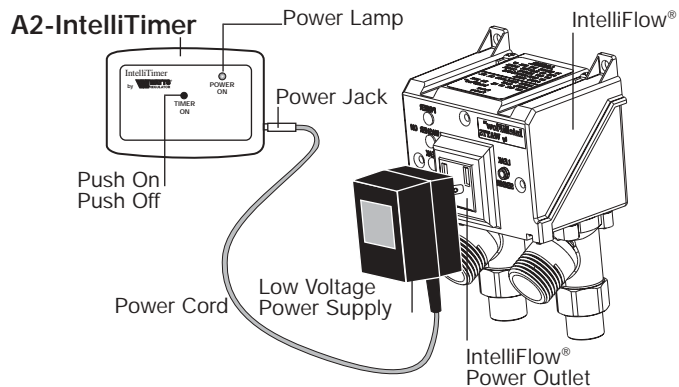
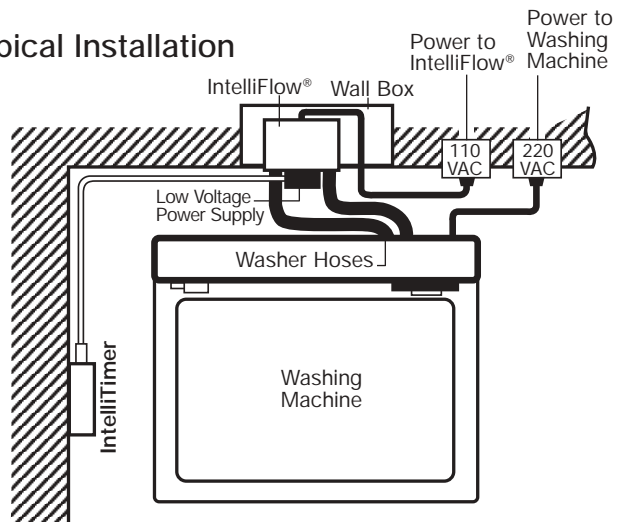
A Green LED is illuminated whenever the A2-IntelliTimer is energized.



A2-IntelliTimer

Ordering Code 0004650

Typical Installation



USA: 815 Chestnut St., No. Andover, MA 01845-6098; www.wattsreg.com

Canada: 5435 North Service Rd., Burlington, ONT L7L 5H7; www.wattsca.com