

Catalog and Price List

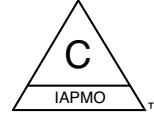
Specification Drainage Products



Effective June 2, 2025

All prices supersede previous issues, are temporary and subject to change without notice.

Drainage Products Standards



American National Standards Institute (ANSI)
American Society of Sanitary Engineering (ASSE)
Plumbing & Drainage Institute (PDI)
International Association of Plumbing and Mechanical Officials (IAPMO)

Product Group	ANSI	ASSE	PDI	IAPMO
Fixture Carriers	A112.6.1M-97			A112.6.1M-97
Floor Drains	A112.6.3-01			A112.6.3-01
Floor Sinks	A112.6.7-2001			A112.6.7-2001
Roof Drains	A112.6.4-2003			A112.6.4-2003
Wall Hydrants		1019-2004		1019-2004
Water Hammer Arrestors		1010-04	WH-201	1010-04
Cleanouts	A112-36.2M-91			A112-36.2M-91
Trap Seal Primers		1018-2001		1018-2001
Grease Interceptors	A112.14.3-2000		G-101	A112.14.3-2000
Solids Interceptors				IGC167-2011

Watts
Drainage Products Division
 100 Watts Road
 Spindale, NC. 28160
 Fax: 828-248-3929

Call Toll-Free:
1-800-338-2581

PL-WD Table of Contents

Floor & Area Drains 5-55, 59-68

Parking Deck Drains56-58

Sanitary Floor Sinks69-81

Dead Level® Trench Drains.....82-96

Green Roof Drains.....97-106

Roof Drains 107-130

Interceptors 131-152

Cleanouts 153-179

Hydrants..... 180-188

Specialties..... 189-198

Fixture Carriers..... 199-245

Common Suffixes

Numeric Suffixes		Alpha Suffixes			
Code	Description	Code	Description	Code	Description
-1	Nickel Bronze	-21	Secondary Strainer	-A	45 Degree Outlet
-3	Stainless Steel	-28	All Type 304 Stainless Steel	-A	Accutrol Flow Restrictor
-4	Ductile Iron	-33	Less Grate	-AL	Aluminum Cover
-5	Sediment Bucket	-34	Closure Plug	-B	Sump Receiver
-6	Vandal Proof	-38	Solids Retaining Baffle	-C	Membrane Clamp
-7	Trap Primer Tapping	-81	Bronze Dome	-CF	Carpet Clamping Flange
-8	Ball Float Backwater Valve	-83	SS Screen	-D	Deck Clamp
-9	Hinged Grate	-88	Wall Clamp	-DS	Dome Strainer
-13	Galvanized	-128	Grate w/Center Opening	-E	Extension
-14	Flat Grate	-150	Half Grate	-F	Deck Flange
-15	Strainer Extension	-175	3/4 Grate	-F4-1	4" Round NB Funnel
				-F4-50	4" Round Cast Iron Funnel
				-F6-1	6" Round NB Funnel
				-FC	Flange & Clamp
				-G-1	4" x 9" Oval NB Funnel
				-G-50	4" x 9" Oval C.I. Funnel
				-GSS	SS Ballast Guard
				-HD	Heavy Duty
				-HS	Hub & Spigot
				-K	Cylinder Lock
				-K	Ductile Iron Dome
				-K13	Galvanized Dome
				-K40	Ductile Iron Low Dome
				-K80	Aluminum Dome
				-K81	Bronze Dome
				-K83	SS Screen Dome
				-L	Vandal Proof
				-M1	Extended Nipple
				-M11	Tiling Frame
				-M20	Flush Valve Support
				-M23	Right Side Inlet
				-M24	Left Side Inlet
				-M54	2" Escutcheons
				-M55	4" Escutcheons
				-M60	Flush Valve Support
				-O	Non-Standard Inlet/Outlet
				-Q	Special
				-R	External Water Dam
				-S0	Side Outlet
				-SS	Stainless Steel
				-TG	Top Grate
				-US	Buy American Compliant
				-VB	Vacuum Breaker
				-W	4" Internal Water Dam
				-W2	2" Internal Water Dam
				-Y	Fixed Top

Outlet Description

Note: All Drainage products are supplied with NH (No Hub) connections standard unless otherwise indicated.

Code	Description
-P	Push-On
-T or -THD	IPS Threaded
-X	Inside Caulk
-60	PVC Socket
-61	ABS Socket

NOTICE

The information contained herein is not intended to replace the full product installation and safety information available or the experience of a trained product installer. You are required to thoroughly read all installation instructions and product safety information before beginning the installation of this product.



Consult factory for all applications outside of listed parameters.
Prices do not include applicable taxes.

Terms & Conditions

FREIGHT TERMS:

Shipments from the factory of less than \$3,500.00 net are F.O.B. factory. Factory shipments over \$3,500.00 net will be prepaid and allowed within the continental United States when made at the lowest motor carrier transportation rate.

TERMS OF SALE:

All sales are F.O.B. shipping point.

PAYMENT TERMS:

Invoices are due and payable 30 days from the date of invoice.

STOCKING WHOLESALE MINIMUM CHARGE:

A minimum billing charge of \$200.00 applies to shipments F.O.B. factory. Stocking Wholesaler Customers are encouraged to order sufficient material to avoid this charge which is necessitated by increased costs of processing small orders.

SPECIAL PRODUCTS:

Orders for special or modified products are non-cancelable and non-returnable. In the event that the customer cancels an order for such products, Watts shall charge the customer an amount equal to Watts' costs and expenses incurred in performing the purchase order prior to receipt of notice of cancellation.

LIMITED WARRANTY:

Watts Regulator Co. (the "Company") warrants each product to be free from defects in material and workmanship under normal usage for a period of one year from the date of original shipment. In the event of such defects within the warranty period, the Company will, at its option, replace or recondition the product without charge.

THE WARRANTY SET FORTH HEREIN IS GIVEN EXPRESSLY AND IS THE ONLY WARRANTY GIVEN BY THE COMPANY WITH RESPECT TO THE PRODUCT. THE COMPANY MAKES NO OTHER WARRANTIES, EXPRESS OR IMPLIED. THE COMPANY HEREBY SPECIFICALLY DISCLAIMS ALL OTHER WARRANTIES, EXPRESS OR IMPLIED, INCLUDING BUT NOT LIMITED TO THE IMPLIED WARRANTIES OF MERCHANTABILITY AND FITNESS FOR A PARTICULAR PURPOSE.

The remedy described in the first paragraph of this warranty shall constitute the sole and exclusive remedy for breach of warranty, and the Company shall not be responsible for any incidental, special or consequential damages, including without limitation, lost profits or the cost of repairing or replacing other property which is damaged if this product does not work properly, other costs resulting from labor charges, delays, vandalism, negligence, fouling caused by foreign material, damage from adverse water conditions, chemical, or any other circumstances over which the Company has no control. This warranty shall be invalidated by any abuse, misuse, misapplication, improper installation or improper maintenance or alteration of the product.

Some States do not allow limitations on how long an implied warranty lasts, and some States do not allow the exclusion or limitation of incidental or consequential damages. Therefore the above limitations may not apply to you. This Limited Warranty gives you specific legal rights, and you may have other rights that vary from State to State. You should consult applicable state laws to determine your rights. SO FAR AS IS CONSISTENT WITH APPLICABLE STATE LAW, ANY IMPLIED WARRANTIES THAT MAY NOT BE DISCLAIMED, INCLUDING THE IMPLIED WARRANTIES OF MERCHANTABILITY AND FITNESS FOR A PARTICULAR PURPOSE, ARE LIMITED IN DURATION TO ONE YEAR FROM THE DATE OF ORIGINAL SHIPMENT.

RETURNED GOODS RESTOCKING CHARGE:

No material shall be returned without authorization. When credit is issued it will be at the price charged, or prevailing price if lower, less handling charges based on costs of reconditioning, boxing, etc. However, a minimum 25% handling charge will apply. A minimum handling charge of \$35.00 is applied whenever the 25% handling deduction does not total \$35.00. Products which are obsolete or made to special order are not returnable.

NOTE:

Prices and terms are subject to change without notice and supersede all previous quotations. The right is reserved to change or modify product design or construction without prior notice and without incurring any obligation to make such changes and modifications on products previously or subsequently sold. All dimensions shown in this catalog are subject to manufacturing tolerances.

WATTS Drainage reserves the right to modify or change product design or construction without prior notice and without incurring any obligation to make similar changes and modifications to products previously or subsequently sold.

See your **WATTS Drainage** representative for any clarification.

Examples of WATTS Drainage Alpha/Numeric Suffix System

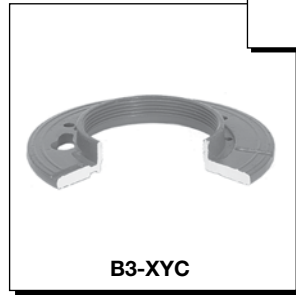
Floor Drains With Adjustable Strainers

Components:

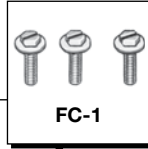


B3 Body, 3" Push-on connection standard with trap primer tapping.

+

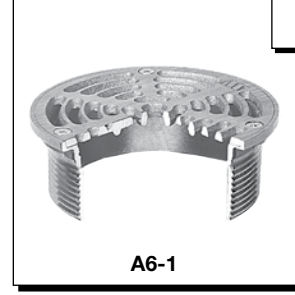


Reversible clamp collar, attached with FC-1 hardware.

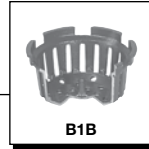


FC-1

+

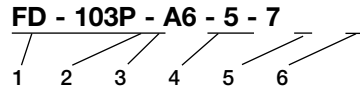


6" diameter nickel bronze strainer standard with vandal proof screws.



B1B

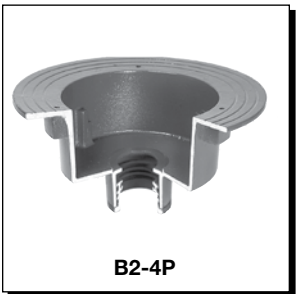
Alpha/Numeric Description



- 1. Series Number - FD-100
- 2. Outlet Size..... - 3" Outlet
- 3. Outlet Type..... - Push-On Outlet - Suffix "P"
- 4. Strainer - Type "A6" Strainer.
- 5. Option - Sediment Bucket - Suffix "-5"
- 6. Option - Trap Primer Tapping - Suffix "-7"

Area Drains

Components:

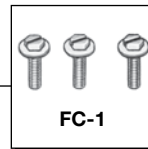


B2 Body, 4" Push-on Connection

+

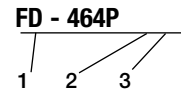


Fixed top assembly with ductile iron grate, attached with FC-1 hardware.



FC-1

Alpha/Numeric Description



- 1. Series Number - FD-460-F
- 2. Outlet Size - 4" outlet
- 3. Outlet Type - Push-on



Consult factory for all applications outside of listed parameters.
Prices do not include applicable taxes.

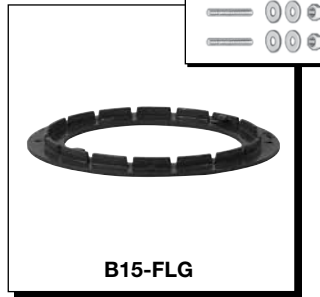
Examples of WATTS Drainage Alpha/Numeric Suffix System

Roof Drains

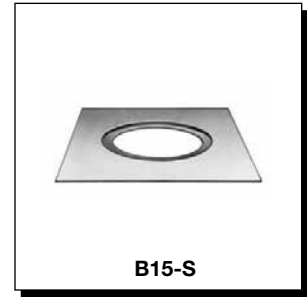
Components:



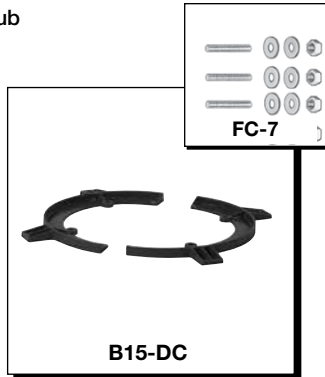
B15 Body, 6" no hub connection.



Flashing Clamp w/Integral Gravel stop, attached with FC-6 Hardware.



24" x 24" Sump Receiver



Underdeck Clamp with FC-7 hardware.



Poly dome standard

Alpha/Numeric Description:

RD - 306 - B-D

1 2 3 4 5

- 1. Series Number - RD-300
- 2. Outlet Size..... - 6" Outlet
- 3. Outlet type - (Standard) No Hub
- 4. Option - B Sump Receiver
- 5. Option - D Underdeck Clamp

Cleanout With Adjustable Top

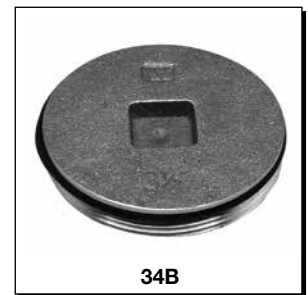
Components:



B4-34 Body 4" No Hub Connection



5" dia. heavy duty nickel bronze top, standard with vandal proof screws



Gas-tight gasketed brass cleanout plug

Alpha/Numeric Description

CO - 204 - RX

1 2 3 4

- 1. Series Number - CO-200
- 2. Outlet Size..... - 4" Outlet
- 3. Outlet Type - (Standard) No Hub
- 4. Top - Type RX strainer

Consult factory for all applications outside of listed parameters.
Prices do not include applicable taxes.



Floor And Area Drains

Table Of Contents

- Pictorial Index
- Recommendations
- Floor Drain Selection Factors
 - Materials
 - Pipe Connections
 - Load Ratings
 - Grate Free Area
 - Design Considerations
 - Commonly Specified Options
- Typical Installations



Floor And Area Drains

Pictorial Index



FD-100-A
Round Strainer



FD-100-B
HD Round Strainer



FD-190-PR
Pronto!® Cast Iron Adj. Floor
Drain w/Integrated Level



FD-190-PR-60
Pronto!® PVC Adj. Floor
Drain w/Integrated Level



FD-100-AS
Angle Strainer



FD-100-DD
Hub Funnel



FD-100-EF
Round Funnel



FD-100-EG
Oval Funnel



FD-100-ER
Extended Rim Strainer



FD-100-FC
Surface Membrane Clamp



FD-100-H
Elastomeric Flange



FD-100-K
Dome Strainer



FD-100-L
HD Square Strainer



FD-100-M
Square Strainer



FD-100-RS
Rectangular Strainer



FD-100-VD
Solid Hinged Cover

Consult factory for all applications outside of listed parameters.
Prices do not include applicable taxes.

WATTS®

Floor And Area Drains

Pictorial Index



FD-100-VS
Square Hinged Solid Cover



FD-100-WD
Domed Standpipe



FD-200-A
Round Strainer



FD-200-B
HD Round Strainer



FD-290-PR
Pronto!® Cast Iron Adj. Floor
Drain w/Integrated Level



FD-290-PR-60
Pronto!® PVC Adj. Floor
Drain w/Integrated Level



FD-200-AS
Angle Strainer



FD-200-DD
Hub Funnel



FD-200-EF
Round Funnel



FD-200-EG
Oval Funnel



FD-200-ER
Extended Rim Strainer



FD-200-FC
Surface Membrane Clamp



FD-200-H
Elastomeric Tile Flange



FD-200-K
Dome Strainer



FD-200-L
HD Square Strainer



FD-200-M
Square Strainer



Consult factory for all applications outside of listed parameters.
Prices do not include applicable taxes.

Floor And Area Drains

Pictorial Index



FD-200-RS
Rectangular Strainer



FD-200-VD
Solid Hinged Cover



FD-200-VS
Square Hinged Solid Cover



FD-200-WD
Domed Standpipe



FD-230-A
Combination



FD-240
Prison Cell



FD-300
6-1/2" Adjustable Top



FD-310
6-1/2" Fixed Top



FD-320
8" Adjustable Top



FD-320-SET
8" Adjustable Top



FD-320-Y
8" Fixed Top



FD-320-Y-SET
8" Fixed Top



FD-330
8x8" Adjustable Top



FD-330-Y
8x8" Fixed Top



FD-340
12" Adjustable Top



FD-340-SET
12" Adjustable Top

Consult factory for all applications outside of listed parameters.
Prices do not include applicable taxes.

WATTS[®]

Floor And Area Drains

Pictorial Index



FD-340-Y
12" Fixed Top



FD-340-Y-SET
12" Fixed Top



FD-360
15" Adjustable Top



FD-360-Y
15" Fixed Top



FD-370
Wood Deck Drain



FD-380
Adjustable Wood Floors



FD-390-E
General Purpose



FD-390-E-63
Fixed Wood Floors



FD-410
Parking Area
Catch Basin



FD-430
Side Outlet



FD-450
15x15" Adjustable Top



FD-450-F
15x15" Fixed Top



FD-460
12x12" Adjustable Top



FD-460-F
12x12" Fixed Top



FD-490-F-4
Parking Structure



FD-490-F-80
Aluminum Parking
Structure Heavy Duty



Consult factory for all applications outside of listed parameters.
Prices do not include applicable taxes.

Floor And Area Drains

Pictorial Index



FD-530
Parking Area Drain



FD-600
Unfinished Area Isolation



FD-620
Finished Area Isolation



FD-660
PVC 7" Fixed Top



FD-670
PVC 10" Fixed Top



FD-810
Iowa Garage Drain



FD-820
Flushing Rim



FD-830
Hopper Drain



FD-850
Planting Area Drain with
Dome Cap



FD-860
8" Planting Area



FD-870
12" Planting Area



FD-880
Ground Water
Containment Drain



FD-890
Planter Drain with
Removable Cover



FD-900
12" Precast Parking Deck



FD-910
15" Precast Parking Deck



FD-920
8" Precast Parking Deck

Consult factory for all applications outside of listed parameters.
Prices do not include applicable taxes.



Floor And Area Drains

Pictorial Index



FD-930
Sq. Precast Parking Deck



FD-1100-A
Round SS Strainer



FD-1100-A-LR
Floor Drain w/Ligature
Resistant Round Strainer



FD-1100-B
HD Round SS Strainer



FD-1100-ER
SS Extended Rim Strainer



FD-1100-L
HD Square SS Strainer



FD-1100-M
Square SS Strainer



FD-1100-M-LR
Floor Drain w/Ligature
Resistant Square Strainer



FD-1160
Chemical Resistant



FD-1190-PR
Pronto!® Cast Iron Adj. Floor
Drain w/Integrated Level



FD-1190-PR-60
Pronto!® PVC Adj. Floor
Drain w/Integrated Level



FD-1200-A
Round SS Strainer



FD-1200-B
HD Round SS Strainer



FD-1290-PR
Pronto!® Cast Iron Adj. Floor
Drain w/Integrated Level



FD-1290-PR-60
Pronto!® PVC Adj. Floor
Drain w/Integrated Level



FD-1200-ER
SS Extended Rim Strainer



Consult factory for all applications outside of listed parameters.
Prices do not include applicable taxes.

Floor And Area Drains

Pictorial Index



FD-1200-L
HD Square SS Strainer



FD-1200-M
Square SS Strainer



TD-300
Elevator Trench Drain



FD-Funnels
Bolt-On Funnels



WSC-300-LR
Ligature Resistant
Waterline Shower Channel

Floor And Area Drains

Recommendations

Application	Product
Basement Areas.....	FD-300, FD-310-Y, FD-320(-Y), FD-320(-Y)-SET
Carwash & Sediment Collection Areas.....	FD-410, also see Dead Level® Catch Basins
Clinical & Surgical Areas.....	FD-1100(-28) Series, FD-820, also see BLÜCHER
Condensate & Drip Lines (indirect waste).....	FD-100-DD, FD-100-EF, FD-100-EG, FD-200-DD, FD-200-EF, FD-200-EG
Rubberized Sheet Flooring.....	FD-100-FC, FD-200-FC
Rubberized Poured Flooring.....	FD-100-H, FD-200-H
Floating Slabs.....	FD-600, FD-620
Food Preparation Areas.....	FD-1100 Series, also see Sanitary Floor Sinks
Garage & Service Bays.....	FD-430, FD-450(-F), FD-460(-F), also see Dead Level® Trench Drains
Industrial & Warehouse Areas.....	FD-320(-Y), FD-330(-Y), FD-340(-Y), FD-460(-F)
Outdoor Parking Areas.....	FD-530, also see Dead Level® Trench Drains
Planting Areas.....	FD-850, FD-860, FD-870, FD-880, see also Green Roof Drains
Parking Decks Poured.....	FD-490-F-4
Parking Decks Precast.....	FD-900, FD-910, FD-920, FD-930
Prison Cells.....	FD-240
Sanitary Manufacturing Areas.....	FD-1100, FD-1200 Series, also see BLÜCHER
Shower Areas.....	FD-100, FD-1100 Series
Stairwells.....	FD-100, FD-200 Series
Wood Floors.....	FD-380, FD-390-E-63

Floor Drain Selection Factors

Materials

Cast Iron Epoxy Coated*

Industrial grade cast iron, finished with Watts gray acid resistant coating.

*Note: *Watts Drainage standard epoxy coating is designed for interim protection of iron components during processing, shipping, and construction. It is not intended to protect surfaces subject to traffic, or environmental conditions. Exposed iron surfaces should be expected to show surface oxidation (rusting) after a short period of time.*

Nickel Bronze

Nickel Bronze alloy is homogenous, highly resistant to wear, and will not be discolored by weather or traffic. Appearance is silvery, and compliments most interior and exterior finishes.

Stainless Steel

In accordance with ASTM A-351-Grade CF8 (Type 304) standard specification. Highly durable and resistant to corrosion.

Ductile Iron Epoxy Coated*

Superior impact resistance and durability compared to standard cast iron. Watts supplies ductile iron drain grates standard, finished with gray acid resistant epoxy coating.

PVC or ABS

Most floor and area drains can be specified with optional PVC (-60) or ABS (-61) plastic bodies for direct sch. 40 solvent weld connection.

Pipe Connections

No Hub (Standard)

Butt connection using a no hub or neoprene coupling. Suitable for cast iron, plastic, and most other piping applications.

Push-on

ASTM C-564 gasket connection, with pipe stop. Suitable for no hub or service weight cast iron, sch. 40 plastic, and steel pipe. Not recommended for above grade.

Inside Caulk (-X)

Used for lead and oakum joints, pipe is inserted through a caulk ring on the drain outlet.

PVC (-60) or ABS (-61) Socket

For direct solvent weld connection to sch. 40 plastic pipe.

Threaded (THD)

Female threaded outlet for connection to IPS threaded pipe.



Consult factory for all applications outside of listed parameters.
Prices do not include applicable taxes.

Floor And Area Drains

Floor Drain Selection Factors

Load Ratings

Load ratings are based upon maximum anticipated traffic, in accordance with American National Standards AMSE A112.21.1M. See specification pages for specific load rating data.

Light Duty (LD) - safe live load under 2000 lbs.
Medium Duty (MD) - safe live load 2000-4999 lbs.
Heavy Duty (HD) - safe live load 5000-7499 lbs.
Extra Heavy Duty (XHD) - safe live load 7500-10,000 lbs.
Special Duty - safe live load over 10,000 lbs.

Grate Free Area

Drains should be specified with sufficient grate free area and outlet size to pass anticipated flow. For standard indoor applications, the grate free area should equal 1-1/2 times the transverse area of the connecting pipe. In exterior areas, the grate free area should be twice the transverse area of the connecting pipe.

Recommended Free Area

Pipe Size	Transverse Sq. In.	Interior Free Area Sq. In.	Exterior Free Area Sq. In.
2"	3.14	4.71	6.28
3"	7.06	10.59	14.12
4"	12.50	18.75	25.00
5"	19.60	29.40	39.20
6"	28.30	42.45	56.60
8"	50.25	75.38	100.50

Design Considerations

Finished / Unfinished Areas

Finished area top specifications should be nickel bronze, or optional stainless steel. Ductile iron is typically used in unfinished areas, where appearance is not a primary concern.

Fixed / Adjustable Tops

Adjustable top drains enable vertical adjustment of the strainer or top assembly, to more easily match the finished floor level.

Heel Proof / ADA Grate Openings

All standard floor and area drains are supplied with heel proof, ADA compliant 5/16" grate openings. Consult product specifications for parking area drain applications.

Weep Holes / Double Drainage

All standard floor and area drains are designed with weep holes for "double drainage". Water seeping around the outside of the drain filters through the weepholes, and back into the drain sump. This protects the immediate area surrounding the drain from deterioration.

Commonly Specified Options

-5 Sediment Bucket

Catches large debris at the drain, protects the p-trap from becoming clogged with accumulated debris.

-6 Vandal Proof

Grate secured with Allen Head screws. Security screws (Torx & Pin) may be specified for high security applications.

-7 Trap Primer Tapping

Plugged 1/2" threaded inlet on drain body, for connection to trap primer valve (see Watts #LFTP300-DR).

-8 Backwater Valve (2", 3", 4" Only)

Ball float backwater valve with no hub connections, attaches to drain outlet to prevent back-up damage in low pressure applications.

-9 Hinged Grate

Available on select square top drains, provides easy access to sediment buckets or drain lines requiring regular maintenance.

-13 Galvanized

Standard zinc galvanizing, commonly specified above grade in highly corrosive coastal environments or industrial areas.

-15 Strainer Extension

For FD-100 & FD-200 Series floor drains, extends strainer to accommodate thick slabs and special applications.

-21 Secondary Strainer

Fits in bottom of drain body, secondary protection against debris that bypasses sediment bucket.

-C Membrane Clamp

Specified in floors with a waterproofing membrane. On most Watts floor and area drains, the waterproofing membrane is clamped between the drain body and bolt-on collar, so a separate membrane clamp is not required.

-F4-50, -F4-1, -F6-1 Round Funnels

4" dia. cast iron or nickel bronze, 6" dia. nickel bronze round funnels to accept single condensate lines. Bolt supplied to attach funnel through underside of the grate.

-G-50, -G-1 Oval Funnels

4"x9" cast iron or nickel bronze oval funnel, to accept multiple condensate lines. Bolt supplied to attach funnel through underside of the grate

-US Buy American Compliant

Product will be supplied with minimum 51% domestic content, in compliance with FAR 52.225-9 Buy American Act

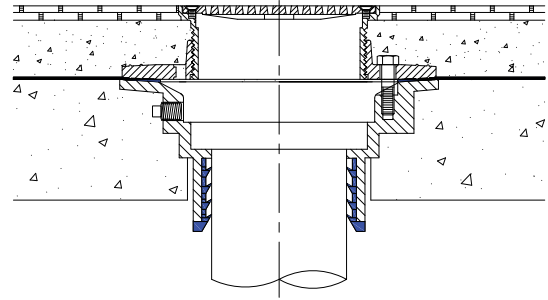
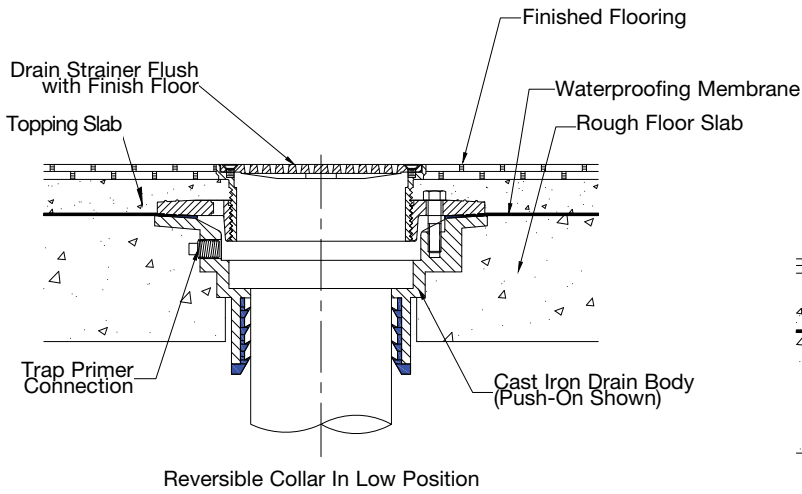
Consult factory for all applications outside of listed parameters.

Prices do not include applicable taxes.



Floor And Area Drains

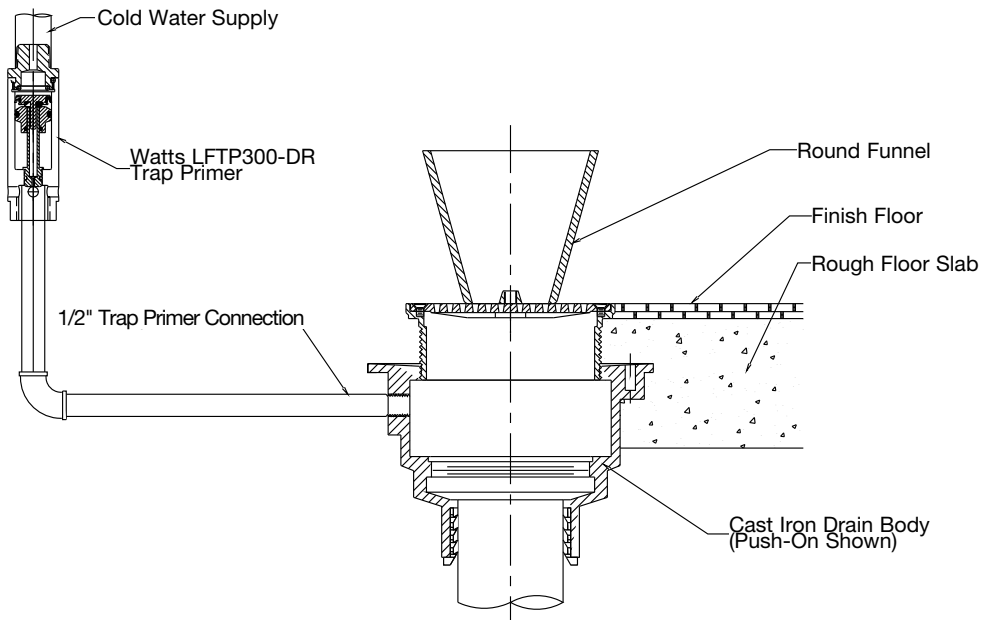
Typical Installations



FD-100 SERIES

ADJUSTABLE FLOOR DRAIN ABOVE GRADE

Reversible Collar In High Position



FD-200 SERIES

ADJUSTABLE FLOOR DRAIN ON GRADE W/TRAP PRIMER

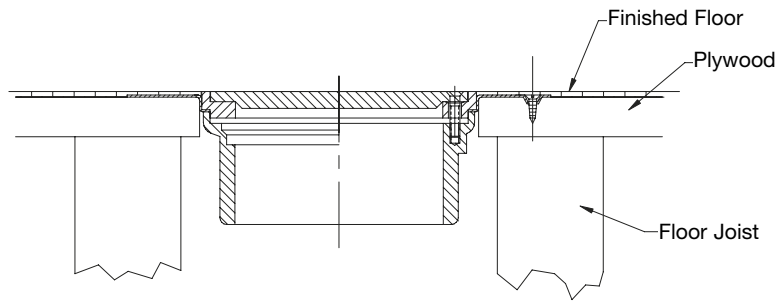
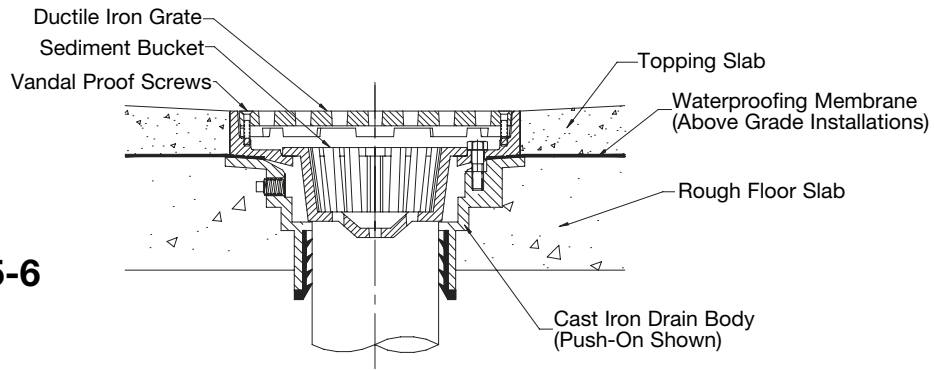


Consult factory for all applications outside of listed parameters.
Prices do not include applicable taxes.

Floor And Area Drains

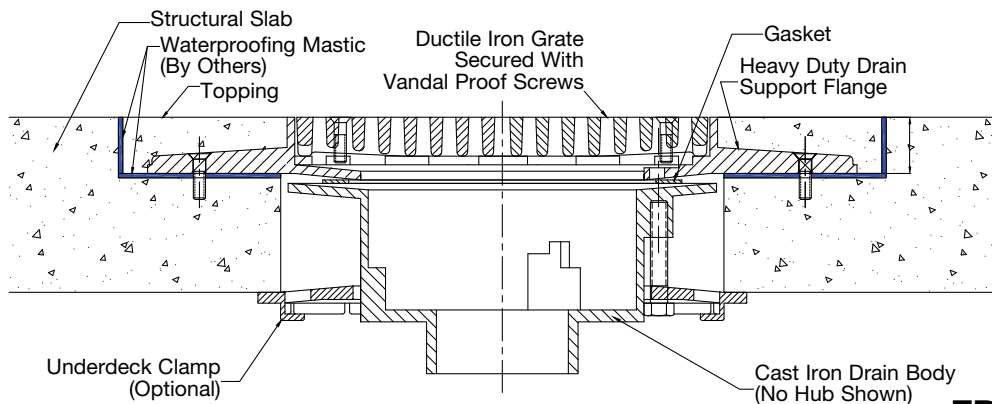
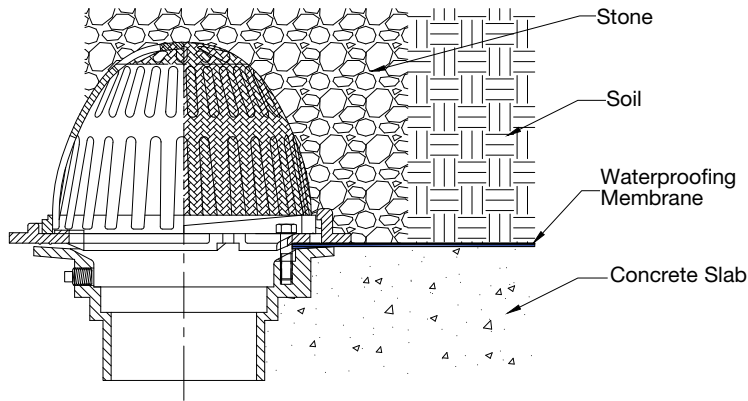
Typical Installations

FD-320-Y-5-6
AREA DRAIN



FD-390-E-63
WOODEN FLOORS

FD-860
PLANTER AREA



FD-900
PRECAST PARKING DECK

Consult factory for all applications outside of listed parameters.
Prices do not include applicable taxes.



Finished Area Floor Drains

FD-100-A

Floor Drain with Round Strainer



Model Number	Weight (lbs.)	Str. Size	Pipe Size	Strainer	List Price
FD-102, 3, 4-A5	11	5"	2,3,4"	nickel bronze	\$779.50
FD-102, 3, 4-A6	12.5	6"	2,3,4"	nickel bronze	829.50
FD-102, 3, 4-A7	14	7"	2,3,4"	nickel bronze	957.50
FD-102, 3, 4-A8	16	8"	2,3,4"	nickel bronze	1,363.00
FD-102, 3, 4-A10	21	10"	2,3,4"	nickel bronze	2,890.00

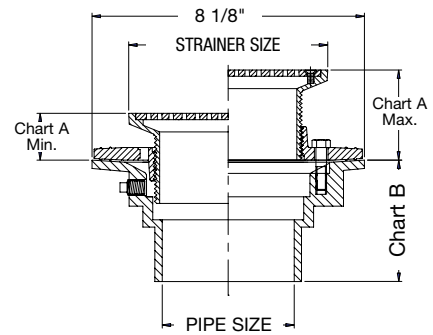


Chart A		
Strainer	Min.	Max.
5"	13/16"	3 1/4"
6"	7/8"	3 3/8"
7"	11/16"	3 1/4"
8"	7/8"	3 1/4"
10"	1 1/4"	3 1/4"

Chart B					
Pipe Size	No Hub	Push On	Female Thread	Inside Caulk	PVC/ABS
2"	3 5/8"	4 1/4"	4 1/4"	4 1/2"	4"
3"	3 5/8"	4 1/4"	4 1/4"	4 1/2"	4"
4"	3 5/8"	4 1/4"	4 1/4"	4 1/2"	4"
6"	3 1/2"	-	-	-	-

FD-100-B

Floor Drain with Round Heavy Duty Strainer



Model Number	Wt., Lbs.	Str. Size	Pipe Size	Strainer	List Price
FD-102, 3, 4-B5-4	13	5"	2,3,4"	ductile iron	\$771.00
FD-102, 3, 4-B5	11	5"	2,3,4"	nickel bronze	1,117.00
FD-102, 3, 4-B6	12.5	6"	2,3,4"	nickel bronze	1,290.00
FD-102, 3, 4-B8	16	8"	2,3,4"	nickel bronze	1,710.00
FD-102, 3, 4-B10	21	10"	2,3,4"	nickel bronze	2,890.00

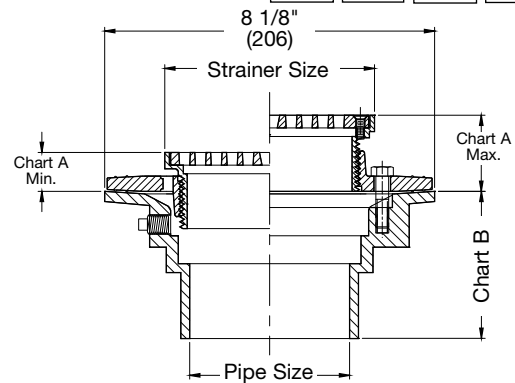


Chart A		
Strainer	Min.	Max.
5"	13/16"	3 1/4"
6"	7/8"	3 3/8"
8"	7/8"	3 1/4"
10"	1 1/4"	3 1/4"

Chart B					
Pipe Size	No Hub	Push On	Female Thread	Inside Caulk	PVC/ABS
2"	3 5/8"	4 1/4"	4 1/4"	4 1/2"	4"
3"	3 5/8"	4 1/4"	4 1/4"	4 1/2"	4"
4"	3 5/8"	4 1/4"	4 1/4"	4 1/2"	4"
6"	3 1/2"	-	-	-	-

Options for FD-100 Series:

Suffix	Description	List Price	Suffix	Description	List Price
None	No Hub Outlet	No Add	-15	Strainer Extension (DD-50)	\$229.50
P	Push-On Outlet	No Add	-60	PVC Body w/Socket Outlet (2,3,4" Only)	No Add
T	Threaded Outlet	\$131.50	-61	ABS Body w/Socket Outlet (2,3,4" Only)	No Add
X	Inside Caulk	No Add	-F4-50	4" Round Cast Iron Funnel	291.00
None	6" Outlet No Hub Only	196.00	-F4-1	4" Round Nickel Bronze Funnel	693.00
-5	Sediment Bucket	176.00	-F6-1	6" Round Nickel Bronze Funnel	1,013.00
-6	Vandal Proof	88.50	-G-50	4x9" Oval Cast Iron Funnel	685.50
-7	Trap Primer Tapping	No Add	-G-1	4x9" Oval Nickel Bronze Funnel	1,414.00
-8	Ball Float Backwater Valve (2,3,4" Only)	611.50	-S0	Side Outlet (2,3,4" Only)	355.00
-13	Galvanized Body	317.50			



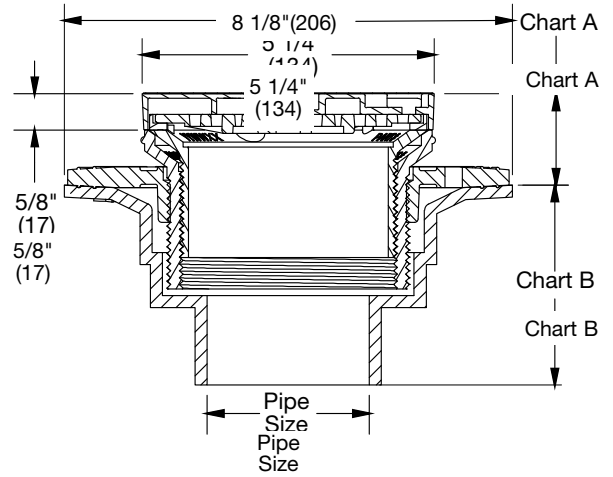
Consult factory for all applications outside of listed parameters.
Prices do not include applicable taxes.

Adjustable Floor Drains

FD-190-PR

Pronto!® Cast Iron Adjustable Floor Drain w/Integrated Level

Model Number	Weight Lbs.	Str. Size	Outlet Size	Strainer	List Price
FD-192, 3, 4-PR5	14	5"(127)	2, 3, 4"	nickel bronze	\$944.50
FD-192, 3, 4-PR6	16	6"(152)	2, 3, 4"	nickel bronze	1,121.00
FD-192, 3, 4-PR7	18	7"(178)	2, 3, 4"	nickel bronze	1,378.00
FD-192, 3, 4-PR8	21	8"(203)	2, 3, 4"	nickel bronze	1,705.00
FD-196-PR5 (NH Only)	14	5"(127)	6"(152)	nickel bronze	2,259.00
FD-196-PR6 (NH Only)	16	6"(152)	6"(152)	nickel bronze	2,259.00
FD-196-PR7 (NH Only)	18	7"(178)	6"(152)	nickel bronze	2,259.00
FD-196-PR8 (NH Only)	21	8"(203)	6"(152)	nickel bronze	2,421.00



PATENTED

Chart A

Strainer Size	Min.	Max.	Load Rating	Free Area Sq. In.
5"(127)	1 3/4"(83)	4 1/4"(108)	MD	6 1/16"(154)
6"(152)	1 3/4"(83)	4 1/4"(108)	LD	10 3/4"(273)
7"(178)	1 7/8"(54)	4 3/8"(111)	LD	13 1/4"(337)
8"(203)	2"(51)	4 1/2"(114)	MD	19"(483)

0-7/8" Adj. After Pour

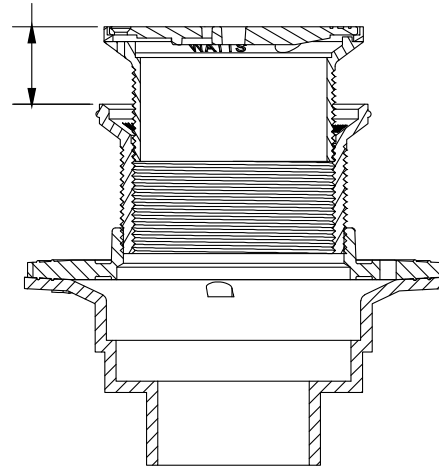


Chart B

Pipe Size	Std. No Hub	P Push On	T Female Thread	X Inside Caulk	60 PVC
2"(51)	3 5/8"(92)	4 1/4"(108)	4 1/4"(108)	4 1/2"(114)	4"(102)
3"(76)	3 5/8"(92)	4 1/4"(108)	4 1/4"(108)	4 1/2"(114)	4"(102)
4"(102)	3 5/8"(92)	4 1/4"(108)	4 1/4"(108)	4 1/2"(114)	4"(102)
6"(152)	3 1/2"(89)				

Options for FD-190-PR Series

Suffix	Description	List Price	Suffix	Description	List Price
None	No Hub Outlet	No Add	-15	Strainer Extension (DD-50)	\$229.50
P	Push-On Outlet	No Add	-F4-50	4" Round Cast Iron Funnel	291.00
T	Threaded Outlet	\$131.50	-F4-1	4" Round Nickel Bronze Funnel	693.00
X	Inside Caulk	No Add	-F6-1	6" Round Nickel Bronze Funnel	1,013.00
-7	Trap Primer Tapping	No Add	-G-50	4x9" Oval Cast Iron Funnel	685.50
-8	Ball Float Backwater Valve (2, 3, 4" Only)	611.50	-G-1	4x9" Oval Nickel Bronze Funnel	1,414.00
-13	Galvanized Body	317.50	-S0	Side Outlet (2, 3, 4" Only)	355.00

Consult factory for all applications outside of listed parameters.

Prices do not include applicable taxes.



Adjustable Floor Drains

FD-190-PR-60

Pronto!® PVC Adjustable Floor Drain w/Integrated Level

Model Number	Weight Lbs.	Str. Size	Outlet Size	Strainer	List Price
FD-192, 3, 4-PR5-60	5	5"(127)	2, 3, 4"	nickel bronze	\$523.00
FD-192, 3, 4-PR6-60	6	6"(152)	2, 3, 4"	nickel bronze	778.00
FD-192, 3, 4-PR7-60	7	7"(178)	2, 3, 4"	nickel bronze	877.50
FD-192, 3, 4-PR8-60	8	8"(203)	2, 3, 4"	nickel bronze	960.00



PATENTED

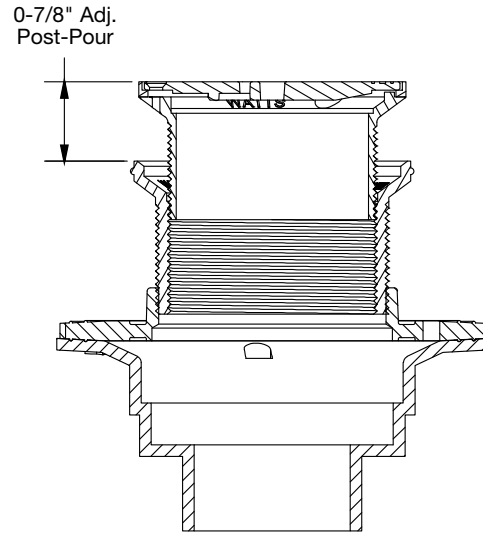
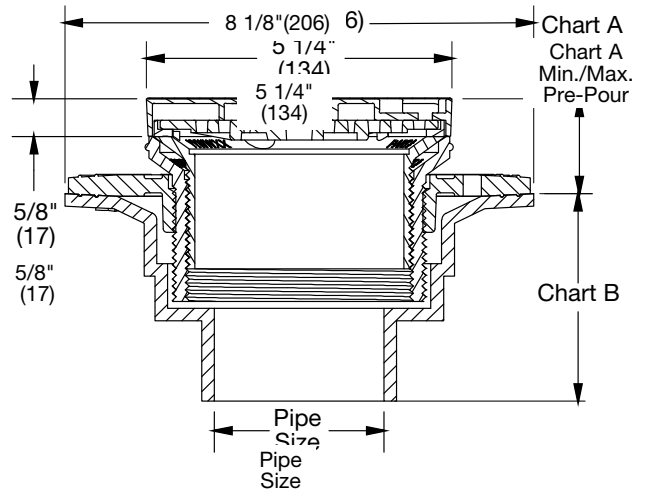


Chart A

Strainer Size	Min.	Max.	Load Rating	Free Area Sq. In.
5"(127)	2 1/2"(64)	4 1/4"(108)	MD	6 1/16"(154)
6"(152)	2 1/2"(64)	4 1/4"(108)	LD	10 3/4"(273)
7"(178)	2 5/8"(67)	4 3/8"(111)	LD	13 1/4"(337)
8"(203)	2 3/4"(70)	4 1/2"(114)	MD	19"(483)

Chart B

Pipe Size	60 PVC
2"(51)	4"(102)
3"(76)	4"(102)
4"(102)	4"(102)

Options for FD-190-PR-60 Series:

Suffix	Description	List Price	Suffix	Description	List Price
-7	Trap Primer Tapping	No Add	-15	Strainer Extension (DD-50)	\$229.50
-8	Ball Float Backwater Valve	\$611.50	-G-1	4x9"Oval Nickel Bronze Funnel	1,414.00
-61	ABS Body w/Socket Outlet	164.50			
-F4-50	4" Round Cast Iron Funnel	291.00			
-F4-1	4" Round Nickel Bronze Funnel	693.00			
-F6-1	6" Round Nickel Bronze Funnel	1,013.00			
-G-50	4x9" Oval Cast Iron Funnel	685.50			

WATTS® Consult factory for all applications outside of listed parameters.
Prices do not include applicable taxes.

Finished Area Floor Drains

FD-100-AS

Floor Drain with Angle Strainer



Model Number	Wt., Lbs.	Str. Size	Outlet Size	Strainer	List Price
FD-102, 3, 4-AS	15	5"x4"	2,3,4"	nickel bronze	\$3,162.00

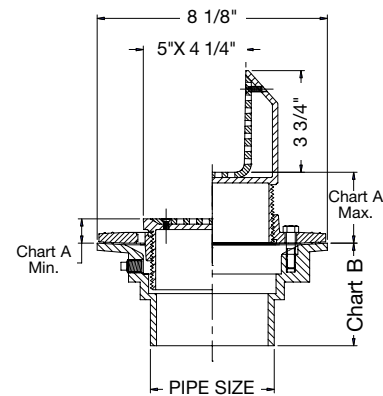


Chart A	
Min.	Max.
13/16"	3 1/4"

Chart B					
Pipe Size	No Hub	Push On	Female Thread	Inside Caulk	PVC/ABS
2"	3 5/8"	4 1/4"	4 1/4"	4 1/2"	4"
3"	3 5/8"	4 1/4"	4 1/4"	4 1/2"	4"
4"	3 5/8"	4 1/4"	4 1/4"	4 1/2"	4"
6"	3 1/2"	-	-	-	-

FD-100-DD

Floor Drain with Hub Funnel



Model Number	Weight (Lbs.)	Outlet Size	Strainer	List Price
FD-102, 3, 4-DD-50	7	2,3,4"	cast iron	\$734.50
FD-102, 3,4-DD-1	7	2,3,4"	nickel bronze	1,207.00

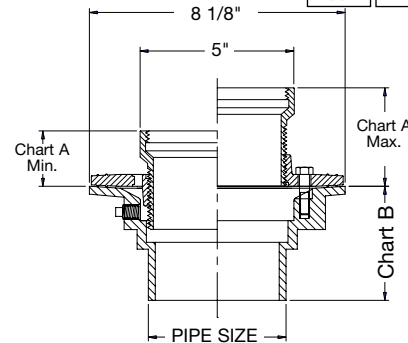


Chart A	
Min.	Max.
1"	2 3/4"

Chart B					
Pipe Size	No Hub	Push On	Female Thread	Inside Caulk	PVC/ABS
2"	3 5/8"	4 1/4"	4 1/4"	4 1/2"	4"
3"	3 5/8"	4 1/4"	4 1/4"	4 1/2"	4"
4"	3 5/8"	4 1/4"	4 1/4"	4 1/2"	4"
6"	3 1/2"	-	-	-	-

Options for FD-100 Series:

Suffix	Description	List Price	Suffix	Description	List Price
None	No Hub Outlet	No Add	-15	Strainer Extension (DD-50)	\$229.50
P	Push-On Outlet	No Add	-60	PVC Body w/Socket Outlet (2,3,4" Only)	No Add
T	Threaded Outlet	\$131.50	-61	ABS Body w/Socket Outlet (2,3,4" Only)	No Add
X	Inside Caulk	No Add	-F4-50	4" Round Cast Iron Funnel	291.00
None	6" Outlet No Hub Only	196.00	-F4-1	4" Round Nickel Bronze Funnel	693.00
-5	Sediment Bucket	176.00	-F6-1	6" Round Nickel Bronze Funnel	1,013.00
-6	Vandal Proof	88.50	-G-50	4x9" Oval Cast Iron Funnel	685.50
-7	Trap Primer Tapping	No Add	-G-1	4x9" Oval Nickel Bronze Funnel	1,414.00
-8	Ball Float Backwater Valve (2,3,4" Only)	611.50	-S0	Side Outlet (2,3,4" Only)	355.00
-13	Galvanized Body	317.50			

Consult factory for all applications outside of listed parameters.

Prices do not include applicable taxes.



Finished Area Floor Drains

FD-100-EF

Floor Drain with Round Funnel



Model Number	Weight (lbs.)	Str. Size	Outlet Size	Funnel	List Price
FD-102, 3, 4-EF-1	9	5"	2,3,4"	nickel bronze	\$1,473.00
FD-102, 3, 4-EF-50	10	5"	2,3,4"	cast iron	1,067.00

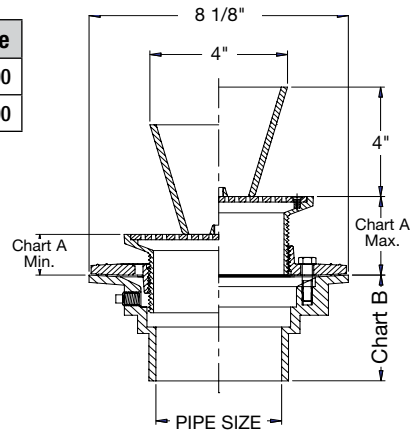


Chart A		
Strainer Dia.	Min.	Max.
5"	7/8"	3 1/4"

Chart B					
Pipe Size	No Hub	Push On	Female Thread	Inside Caulk	PVC/ABS
2"	3 5/8"	4 1/4"	4 1/4"	4 1/2"	4"
3"	3 5/8"	4 1/4"	4 1/4"	4 1/2"	4"
4"	3 5/8"	4 1/4"	4 1/4"	4 1/2"	4"
6"	3 1/2"	-	-	-	-

FD-100-EG

Floor Drain with Oval Funnel



Model Number	Weight (lbs.)	Str. Size	Outlet Size	Funnel	List Price
FD-102, 3, 4-EG-1	10	5"	2,3,4"	nickel bronze	\$2,192.00
FD-102, 3, 4-EG-50	10	5"	2,3,4"	cast iron	1,464.00

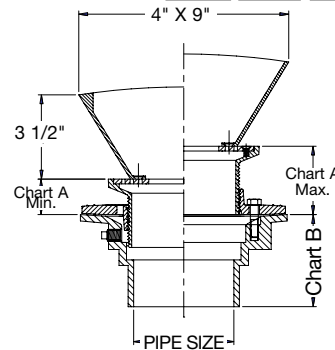


Chart A		
Strainer Dia.	Min.	Max.
5"	7/8"	3 1/4"

Chart B					
Pipe Size	No Hub	Push On	Female Thread	Inside Caulk	PVC/ABS
2"	3 5/8"	4 1/4"	4 1/4"	4 1/2"	4"
3"	3 5/8"	4 1/4"	4 1/4"	4 1/2"	4"
4"	3 5/8"	4 1/4"	4 1/4"	4 1/2"	4"
6"	3 1/2"	-	-	-	-

Options for FD-100 Series:

Suffix	Description	List Price	Suffix	Description	List Price
None	No Hub Outlet	No Add	-13	Galvanized Body	\$317.50
P	Push-On Outlet	No Add	-15	Strainer Extension (DD-50)	255.50
T	Threaded Outlet	\$131.50	-60	PVC Body w/Socket Outlet (2, 3, 4" Only)	No Add
X	Inside Caulk	No Add	-61	ABS Body w/Socket Outlet (2, 3, 4" Only)	No Add
None	6" Outlet No Hub Only	196.00	-F6-1	6" Round Nickel Bronze Funnel	1,013.00
-5	Sediment Bucket	176.00	-S0	Side Outlet (2, 3, 4" Only)	355.00
-6	Vandal Proof	88.50			
-7	Trap Primer Tapping	No Add			
-8	Ball Float Backwater Valve (2,3,4" Only)	611.50			



Consult factory for all applications outside of listed parameters.
Prices do not include applicable taxes.

Finished Area Floor Drains

FD-100-ER Floor Drain with Extended Rim Strainer

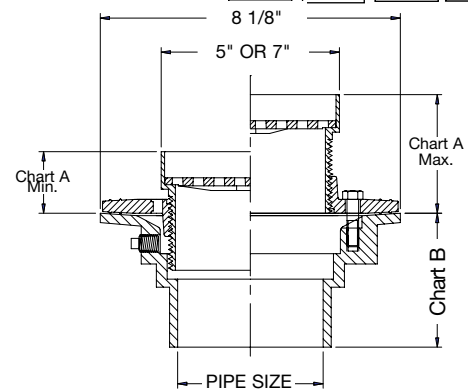


Model Number	Weight (lbs.)	Str. Size	Outlet Size	Strainer	List Price
FD-102, 3, 4-ER5	11	5"	2,3,4"	nickel bronze	\$1,682.00
FD-102, 3, 4-ER7	12	7"	2,3,4"	nickel bronze	1,808.00
FD-102, 3, 4-ER9	13	9"	2,3,4"	nickel bronze	2,534.00



Chart A		
Strainer Dia.	Min.	Max.
5"	1 1/2"	4"
7"	2 1/2"	4"
9"	2 1/2"	4"

Chart B					
Pipe Size	No Hub	Push On	Female Thread	Inside Caulk	PVC/ABS
2"	3 5/8"	4 1/4"	4 1/4"	4 1/2"	4"
3"	3 5/8"	4 1/4"	4 1/4"	4 1/2"	4"
4"	3 5/8"	4 1/4"	4 1/4"	4 1/2"	4"
6"	3 1/2"	-	-	-	-



FD-100-FC Floor Drain with Surface Membrane Clamp

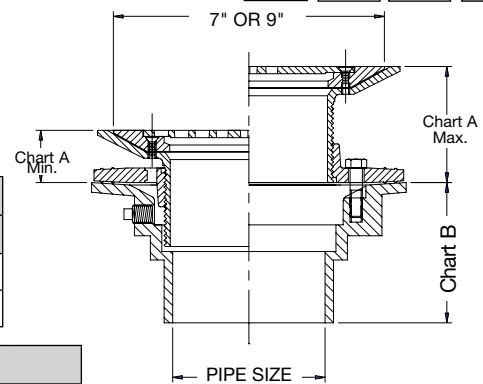


Model Number	Weight (lbs.)	Str. Size	Outlet Size	Strainer	List Price
FD-102, 3, 4-FC7	15	7"	2,3,4"	nickel bronze	\$2,394.00
FD-102, 3, 4-FC9	18	9"	2,3,4"	nickel bronze	3,279.00



Chart A		
Strainer Dia.	Min.	Max.
7"	2 1/4"	3 3/4"
9"	2 1/4"	3 3/4"

Chart B					
Pipe Size	No Hub	Push On	Female Thread	Inside Caulk	PVC/ABS
2"	3 5/8"	4 1/4"	4 1/4"	4 1/2"	4"
3"	3 5/8"	4 1/4"	4 1/4"	4 1/2"	4"
4"	3 5/8"	4 1/4"	4 1/4"	4 1/2"	4"
6"	3 1/2"	-	-	-	-



Options for FD-100 Series:

Suffix	Description	List Price	Suffix	Description	List Price
None	No Hub Outlet	No Add	-15	Strainer Extension (DD-50)	\$229.50
P	Push-On Outlet	No Add	-60	PVC Body w/Socket Outlet (2,3,4" Only)	No Add
T	Threaded Outlet	\$131.50	-61	ABS Body w/Socket Outlet (2,3,4" Only)	No Add
X	Inside Caulk	No Add	-F4-50	4" Round Cast Iron Funnel	291.00
None	6" Outlet No Hub Only	196.00	-F4-1	4" Round Nickel Bronze Funnel	693.00
-5	Sediment Bucket	176.00	-F6-1	6" Round Nickel Bronze Funnel	1,013.00
-6	Vandal Proof	88.50	-G-50	4x9" Oval Cast Iron Funnel	685.50
-7	Trap Primer Tapping	No Add	-G-1	4x9" Oval Nickel Bronze Funnel	1,414.00
-8	Ball Float Backwater Valve (2,3,4" Only)	611.50	-S0	Side Outlet (2,3,4" Only)	355.00
-13	Galvanized Body	317.50			

Consult factory for all applications outside of listed parameters.

Prices do not include applicable taxes.



Finished Area Floor Drains

FD-100-H

Floor Drain with Elastomeric Flange



Model Number	Weight (lbs.)	Str. Size	Outlet Size	Strainer	List Price
FD-102, 3, 4-H	15	6"	2,3,4"	nickel bronze	\$2,447.00

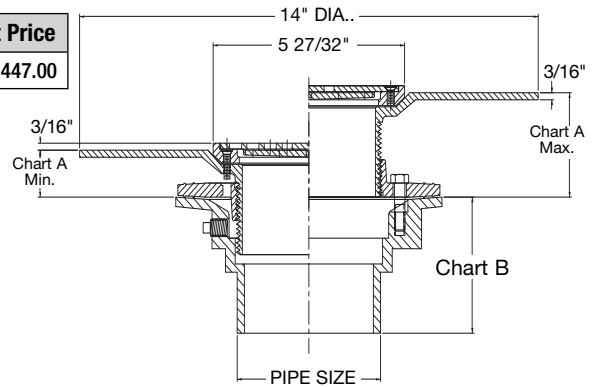


Chart A		
Strainer Dia.	Min.	Max.
6"	7/8"	3 1/4"

Chart B					
Pipe Size	No Hub	Push On	Female Thread	Inside Caulk	PVC/ABS
2"	3 5/8"	4 1/4"	4 1/4"	4 1/2"	4"
3"	3 5/8"	4 1/4"	4 1/4"	4 1/2"	4"
4"	3 5/8"	4 1/4"	4 1/4"	4 1/2"	4"
6"	3 1/2"	-	-	-	-

FD-100-K

Floor Drain with Dome Strainer

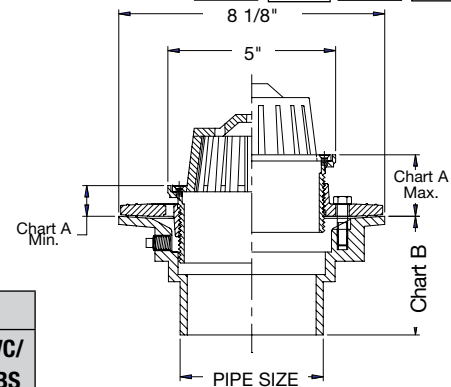


Model Number	Weight (lbs.)	Str. Size	Outlet Size	Strainer	List Price
FD-102, 3, 4-K	11	5" dome	2,3,4"	nickel bronze	\$1,101.00



Chart A		
Strainer Dia.	Min.	Max.
5"	13/16"	3 1/4"

Chart B					
Pipe Size	No Hub	Push On	Female Thread	Inside Caulk	PVC/ABS
2"	3 5/8"	4 1/4"	4 1/4"	4 1/2"	4"
3"	3 5/8"	4 1/4"	4 1/4"	4 1/2"	4"
4"	3 5/8"	4 1/4"	4 1/4"	4 1/2"	4"
6"	3 1/2"	-	-	-	-



Options for FD-100 Series:

Suffix	Description	List Price	Suffix	Description	List Price
None	No Hub Outlet	No Add	-15	Strainer Extension (DD-50)	\$229.50
P	Push-On Outlet	No Add	-60	PVC Body w/Socket Outlet (2,3,4" Only)	No Add
T	Threaded Outlet	\$131.50	-61	ABS Body w/Socket Outlet (2,3,4" Only)	No Add
X	Inside Caulk	No Add	-F4-50	4" Round Cast Iron Funnel	291.00
None	6" Outlet No Hub Only	196.00	-F4-1	4" Round Nickel Bronze Funnel	693.00
-5	Sediment Bucket	176.00	-F6-1	6" Round Nickel Bronze Funnel	1,013.00
-6	Vandal Proof	88.50	-G-50	4x9" Oval Cast Iron Funnel	685.50
-7	Trap Primer Tapping	No Add	-G-1	4x9" Oval Nickel Bronze Funnel	1,414.00
-8	Ball Float Backwater Valve (2,3,4" Only)	611.50	-S0	Side Outlet (2,3,4" Only)	355.00
-13	Galvanized Body	317.50			



Consult factory for all applications outside of listed parameters.
Prices do not include applicable taxes.

Finished Area Floor Drains

FD-100-L

Floor Drain with Square Heavy Duty Strainer



Model Number	Weight (lbs.)	Str. Size	Outlet Size	Strainer	List Price
FD-102, 3, 4-L5	10	5"x5"	2, 3, 4"	nickel bronze	\$1,212.00
FD-102, 3, 4-L5-4	11	5"x5"	2, 3, 4"	ductile iron	817.50
FD-102, 3, 4-L6	14	6"x6"	2, 3, 4"	nickel bronze	1,425.00
FD-102, 3, 4-L6-9	14	6"x6"	2, 3, 4"	NB hinged	1,871.00
FD-102, 3, 4-L8	16	8"x8"	2, 3, 4"	nickel bronze	2,005.00
FD-102, 3, 4-L8-9	16	8"x8"	2, 3, 4"	NB hinged	2,451.00

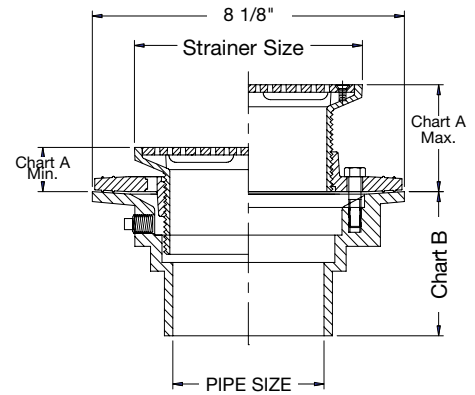


Chart A		
Strainer	Min.	Max.
5"x5"	7/8"	3 1/4"
6"x6"	1"	3 1/4"
8"x8"	1 3/8"	3 5/8"

Chart B					
Pipe Size	No Hub	Push On	Female Thread	Inside Caulk	PVC/ABS
2"	3 5/8"	4 1/4"	4 1/4"	4 1/2"	4"
3"	3 5/8"	4 1/4"	4 1/4"	4 1/2"	4"
4"	3 5/8"	4 1/4"	4 1/4"	4 1/2"	4"
6"	3 1/2"	-	-	-	-

FD-100-M

Floor Drain with Square Strainer



Model Number	Weight (lbs.)	Str. Size	Outlet Size	Strainer	List Price
FD-102, 3, 4-M5	10	5"x5"	2, 3, 4"	nickel bronze	\$1,041.00
FD-102, 3, 4-M6	14	6"x6"	2, 3, 4"	nickel bronze	1,160.00
FD-102, 3, 4-M6-9	14	6"x6"	2, 3, 4"	NB hinged	1,609.00
FD-102, 3, 4-M8	16	8"x8"	2, 3, 4"	nickel bronze	1,687.00
FD-102, 3, 4-M8-9	16	8"x8"	2, 3, 4"	NB hinged	2,131.00

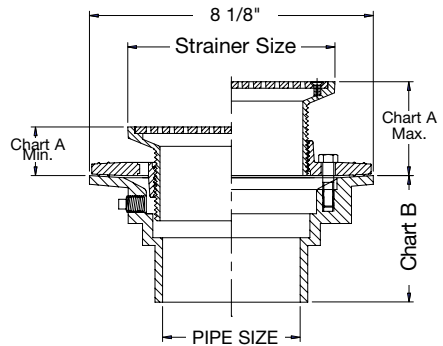


Chart A		
Strainer	Min.	Max.
5"x5"	7/8"	3 1/4"
6"x6"	1"	3 1/4"
8"x8"	1 3/8"	3 5/8"

Chart B					
Pipe Size	No Hub	Push On	Female Thread	Inside Caulk	PVC/ABS
2"	3 5/8"	4 1/4"	4 1/4"	4 1/2"	4"
3"	3 5/8"	4 1/4"	4 1/4"	4 1/2"	4"
4"	3 5/8"	4 1/4"	4 1/4"	4 1/2"	4"
6"	3 1/2"	-	-	-	-

Options for FD-100 Series:

Suffix	Description	List Price	Suffix	Description	List Price
None	No Hub Outlet	No Add	-15	Strainer Extension (DD-50)	\$229.50
P	Push-On Outlet	No Add	-60	PVC Body w/Socket Outlet (2,3,4" Only)	No Add
T	Threaded Outlet	\$131.50	-61	ABS Body w/Socket Outlet (2,3,4" Only)	No Add
X	Inside Caulk	No Add	-F4-50	4" Round Cast Iron Funnel	291.00
None	6" Outlet No Hub Only	196.00	-F4-1	4" Round Nickel Bronze Funnel	693.00
-5	Sediment Bucket	176.00	-F6-1	6" Round Nickel Bronze Funnel	1,013.00
-6	Vandal Proof	88.50	-G-50	4x9" Oval Cast Iron Funnel	685.50
-7	Trap Primer Tapping	No Add	-G-1	4x9" Oval Nickel Bronze Funnel	1,414.00
-8	Ball Float Backwater Valve (2,3,4" Only)	611.50	-S0	Side Outlet (2,3,4" Only)	355.00
-13	Galvanized Body	317.50			

Consult factory for all applications outside of listed parameters.

Prices do not include applicable taxes.



Finished Area Floor Drains

FD-100-RS

Floor Drain with Rectangular Strainer

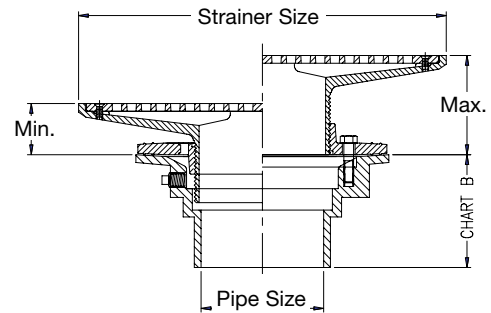


Model Number	Weight (lbs.)	Str. Size	Outlet Size	Strainer	List Price
FD-102, 3, 4-RS48	12	4"x8"	2, 3, 4"	nickel bronze	\$1,710.00
FD-102, 3, 4-RS412	14	4"x12"	2, 3, 4"	nickel bronze	2,065.00
FD-102, 3, 4-RS517	24	5"x17"	2, 3, 4"	nickel bronze	2,468.00



Chart A		
Strainer	Min.	Max.
4"x8"	1 1/2"	3 3/4"
4"x12"	1 1/2"	3 3/4"
5"x17"	2"	4 3/8"

Chart B					
Pipe Size	No Hub	Push On	Female Thread	Inside Caulk	PVC/ABS
2"	3 5/8"	4 1/4"	4 1/4"	4 1/2"	4"
3"	3 5/8"	4 1/4"	4 1/4"	4 1/2"	4"
4"	3 5/8"	4 1/4"	4 1/4"	4 1/2"	4"
6"	3 1/2"	-	-	-	-



FD-100-VD

Floor Drain with Round Hinged Solid Cover

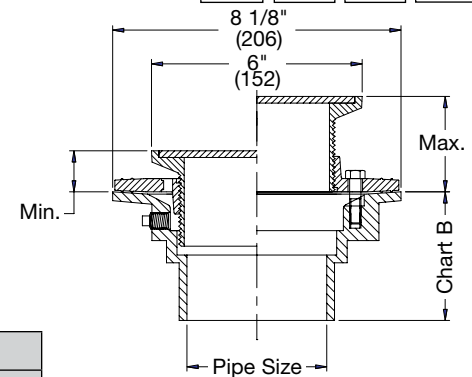


Model Number	Weight (lbs.)	Str. Size	Outlet Size	Strainer	List Price
FD-102, 3, 4-VD	15	6"	2,3,4"	nickel bronze	\$1,406.00



Chart A		
Strainer	Min.	Max.
6"	13/16"	3 1/4"

Chart B					
Pipe Size	No Hub	Push On	Female Thread	Inside Caulk	PVC/ABS
2"	3 5/8"	4 1/4"	4 1/4"	4 1/2"	4"
3"	3 5/8"	4 1/4"	4 1/4"	4 1/2"	4"
4"	3 5/8"	4 1/4"	4 1/4"	4 1/2"	4"
6"	3 1/2"	-	-	-	-



Options for FD-100 Series:

Suffix	Description	List Price	Suffix	Description	List Price
None	No Hub Outlet	No Add	-15	Strainer Extension (DD-50)	\$229.50
P	Push-On Outlet	No Add	-60	PVC Body w/Socket Outlet (2,3,4" Only)	No Add
T	Threaded Outlet	\$131.50	-61	ABS Body w/Socket Outlet (2,3,4" Only)	No Add
X	Inside Caulk	No Add	-F4-50	4" Round Cast Iron Funnel	291.00
None	6" Outlet No Hub Only	196.00	-F4-1	4" Round Nickel Bronze Funnel	693.00
-5	Sediment Bucket	176.00	-F6-1	6" Round Nickel Bronze Funnel	1,013.00
-6	Vandal Proof	88.50	-G-50	4x9" Oval Cast Iron Funnel	685.50
-7	Trap Primer Tapping	No Add	-G-1	4x9" Oval Nickel Bronze Funnel	1,414.00
-8	Ball Float Backwater Valve (2,3,4" Only)	611.50	-S0	Side Outlet (2,3,4" Only)	355.00
-13	Galvanized Body	317.50			



Consult factory for all applications outside of listed parameters.
Prices do not include applicable taxes.

Finished Area Floor Drains

FD-100-VS Floor Drain with Square Hinged Solid Cover



Model Number	Weight (lbs.)	Str. Size	Outlet Size	Strainer	List Price
FD-102, 3, 4-VS	15	6"x6 Cover"	2, 3, 4"	nickel bronze	\$2,005.00

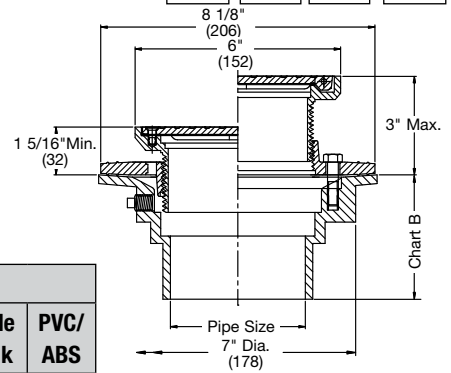


Chart B					
Pipe Size	No Hub	Push On	Female Thread	Inside Caulk	PVC/ABS
2"	3 5/8"	4 1/4"	4 1/4"	4 1/2"	4"
3"	3 5/8"	4 1/4"	4 1/4"	4 1/2"	4"
4"	3 5/8"	4 1/4"	4 1/4"	4 1/2"	4"
6"	3 1/2"	-	-	-	-

FD-100-WD Floor Drain with Domed Standpipe



Model Number	Weight (lbs.)	Str. Size	Outlet Size	List Price
FD-102, 3, 4-WD	11	Domed Standpipe	2, 3, 4"	\$1,875.00

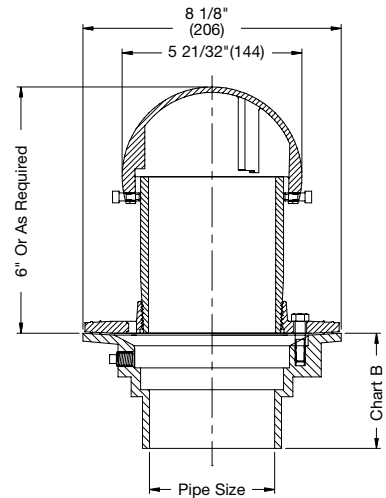


Chart B					
Pipe Size	No Hub	Push On	Female Thread	Inside Caulk	PVC/ABS
2"	3 5/8"	4 1/4"	4 1/4"	4 1/2"	4"
3"	3 5/8"	4 1/4"	4 1/4"	4 1/2"	4"
4"	3 5/8"	4 1/4"	4 1/4"	4 1/2"	4"
6"	3 1/2"	-	-	-	-

Options for FD-100 Series:

Suffix	Description	List Price	Suffix	Description	List Price
None	No Hub Outlet	No Add	-15	Strainer Extension (DD-50)	\$229.50
P	Push-On Outlet	No Add	-60	PVC Body w/Socket Outlet (2,3,4" Only)	No Add
T	Threaded Outlet	\$131.50	-61	ABS Body w/Socket Outlet (2,3,4" Only)	No Add
X	Inside Caulk	No Add	-F4-50	4" Round Cast Iron Funnel	291.00
None	6" Outlet No Hub Only	196.00	-F4-1	4" Round Nickel Bronze Funnel	693.00
-5	Sediment Bucket	176.00	-F6-1	6" Round Nickel Bronze Funnel	1,013.00
-6	Vandal Proof	88.50	-G-50	4x9" Oval Cast Iron Funnel	685.50
-7	Trap Primer Tapping	No Add	-G-1	4x9" Oval Nickel Bronze Funnel	1,414.00
-8	Ball Float Backwater Valve (2,3,4" Only)	611.50	-S0	Side Outlet (2,3,4" Only)	355.00
-13	Galvanized Body	317.50			

Consult factory for all applications outside of listed parameters.

Prices do not include applicable taxes.



On-Grade Finished Area Floor Drains

FD-200-A

Floor Drain with Round Strainer



Model Number	Weight (lbs.)	Str. Size	Outlet Size	Strainer	List Price
FD-202, 3, 4-A5	8	5"	2, 3, 4"	nickel bronze	\$696.00
FD-202, 3, 4-A6	9.5	6"	2, 3, 4"	nickel bronze	853.00
FD-202, 3, 4-A7	12	7"	2, 3, 4"	nickel bronze	999.50
FD-202, 3, 4-A8	16	8"	2, 3, 4"	nickel bronze	1,512.00
FD-202, 3, 4-A10	20	10"	2, 3, 4"	nickel bronze	1,889.00

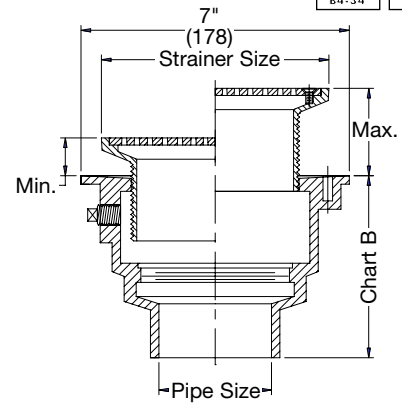


Chart A		
Strainer	Min.	Max.
5"	7/16"	2 1/4"
6"	5/8"	2 1/4"
7"	11/16"	2 1/4"
8"	3/4"	2 3/4"
10"	1"	2 1/4"

Chart B			
Pipe Size	No Hub	Push On	PVC/ABS
2"	4 3/4"	5 1/2"	4"
3"	4 3/4"	5 1/2"	4"
4"	4 3/4"	5 1/2"	4"

FD-200-B

Floor Drain with Round Heavy Duty Strainer



Model Number	Weight (lbs.)	Str. Size	Outlet Size	Strainer	List Price
FD-202, 3, 4-B5-4	13	5"	2, 3, 4"	ductile iron	\$672.00
FD-202, 3, 4-B5	8	5"	2, 3, 4"	nickel bronze	859.00
FD-202, 3, 4-B6	9.5	6"	2, 3, 4"	nickel bronze	1,187.00
FD-202, 3, 4-B8	16	8"	2, 3, 4"	nickel bronze	1,609.00
FD-202, 3, 4-B10	20	10"	2, 3, 4"	nickel bronze	2,587.00

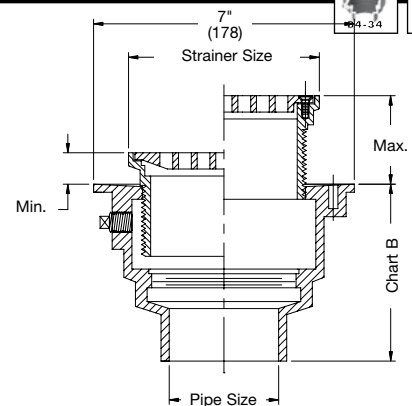


Chart A		
Strainer	Min.	Max.
5"	1"	2 1/4"
6"	1"	2 1/4"
8"	1 7/16"	2 3/4"
10"	1"	2 1/4"

Chart B			
Pipe Size	No Hub	Push On	PVC/ABS
2"	4 3/4"	5 1/2"	4"
3"	4 3/4"	5 1/2"	4"
4"	4 3/4"	5 1/2"	4"

Options for FD-200 Series:

Suffix	Description	List Price	Suffix	Description	List Price
None	No Hub Outlet	No Add	-15	Strainer Extension (DD-50)	\$229.50
P	Push-On Outlet	No Add	-60	PVC Body w/Socket Outlet	No Add
X	Inside Caulk	No Add	-61	ABS Body w/Socket Outlet	No Add
-5	Sediment Bucket	\$176.00	-F4-50	4" Round Cast Iron Funnel	291.00
-6	Vandal Proof	88.50	-F4-1	4" Round Nickel Bronze Funnel	693.00
-7	Trap Primer Tapping	No Add	-F6-1	6" Round Nickel Bronze Funnel	1,013.00
-8	Ball Float Backwater Valve (2,3,4" Only)	611.50	-G-50	4x9" Oval Cast Iron Funnel	685.50
-13	Galvanized Body	317.50	-G-1	4x9" Oval Nickel Bronze Funnel	1,414.00



Consult factory for all applications outside of listed parameters.
Prices do not include applicable taxes.

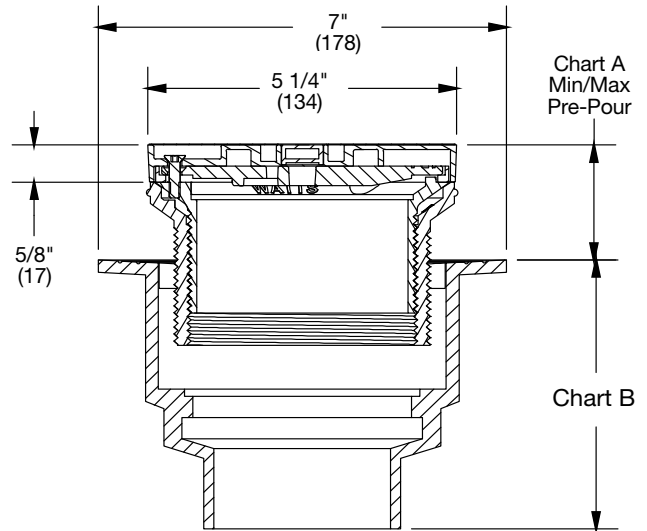
Adjustable Floor Drains

FD-290-PR Pronto!® Cast Iron Adjustable Floor Drain w/Integrated Level

Model Number	Weight Lbs.	Str. Size	Outlet Size	Strainer	List Price
FD-292, 3, 4-PR5	13	5"(127)	2, 3, 4"	nickel bronze	\$848.00
FD-292, 3, 4-PR6	15	6"(152)	2, 3, 4"	nickel bronze	1,024.00
FD-292, 3, 4-PR7	17	7"(178)	2, 3, 4"	nickel bronze	1,281.00
FD-292, 3, 4-PR8	20	8"(203)	2, 3, 4"	nickel bronze	1,606.00



PATENTED



0-7/8" Adj. Post-Pour

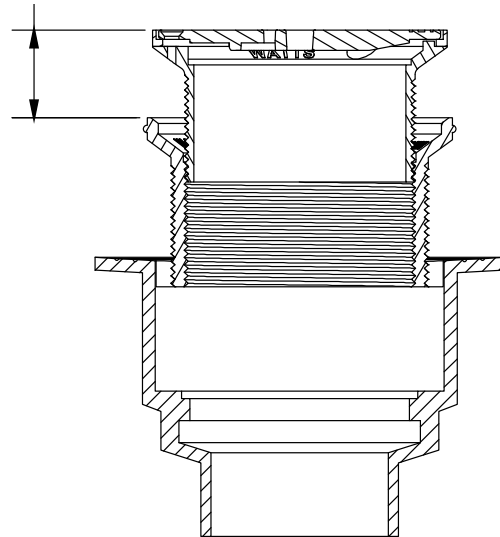


Chart A

Strainer Size	Min.	Max.	Load Rating	Free Area Sq. In
5"(127)	1 1/2"(38)	3 1/4"(83)	MD	6 1/16"(154)
6"(152)	1 1/2"(38)	3 1/4"(83)	LD	10 3/4"(273)
7"(178)	1 9/16"(40)	3 5/16"(84)	LD	13 1/4"(337)
8"(203)	1 11/16"(43)	3 7/16"(87)	MD	19"(483)

Chart B

Pipe Size	Std. No Hub	P Push On	60/61 PVC/ABS
2"(51)	4 1/2"(114)	5 1/2"(140)	4"(102)
3"(76)	4 1/2"(114)	5 1/2"(140)	4"(102)
4"(102)	4 1/2"(114)	5 1/2"(140)	4"(102)

Options for FD-290-PR Series

Suffix	Description	List Price	Suffix	Description	List Price
None	No Hub Outlet	No Add	-15	Strainer Extension (DD-50)	\$229.50
P	Push-On Outlet	No Add	-F4-50	4" Round Cast Iron Funnel	291.00
T	Threaded Outlet	\$131.50	-F4-1	4" Round Nickel Bronze Funnel	693.00
X	Inside Caulk	No Add	-F6-1	6" Round Nickel Bronze Funnel	1,013.00
None	6" Outlet No Hub Only	196.00	-G-50	4x9" Oval Cast Iron Funnel	685.50
-7	Trap Primer Tapping	No Add	-G-1	4x9" Oval Nickel Bronze Funnel	1,414.00
-8	Ball Float Backwater Valve (2, 3, 4" Only)	611.50			
-13	Galvanized Body	317.50			

Consult factory for all applications outside of listed parameters.

Prices do not include applicable taxes.



Adjustable Floor Drains

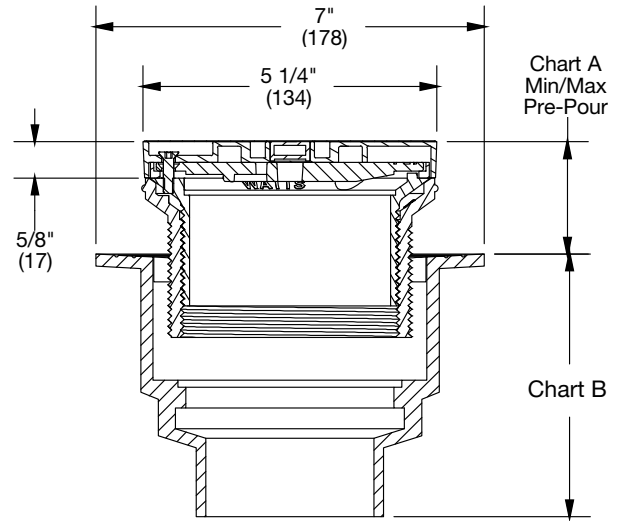
FD-290-PR-60

Pronto!® PVC Adjustable Floor Drain w/Integrated Level

Model Number	Weight Lbs.	Str. Size	Outlet Size	Strainer	List Price
FD-292, 3, 4-PR5-60	4	5"(127)	2, 3, 4"	nickel bronze	\$481.00
FD-292, 3, 4-PR6-60	5	6"(152)	2, 3, 4"	nickel bronze	697.00
FD-292, 3, 4-PR7-60	6	7"(178)	2, 3, 4"	nickel bronze	825.00
FD-292, 3, 4-PR8-60	7	8"(203)	2, 3, 4"	nickel bronze	894.50



PATENTED



0-7/8" Adj. Post-Pour

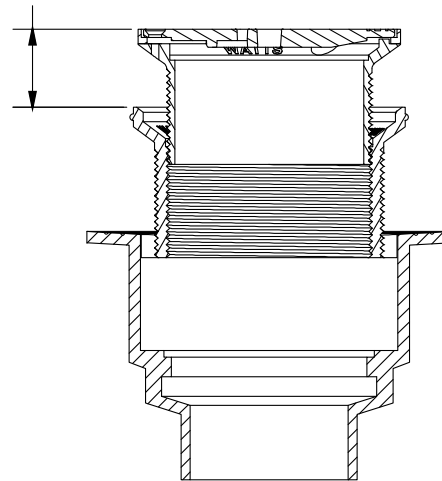


Chart A

Strainer Size	Min.	Max.	Load Rating	Free Area Sq. In
5"(127)	1 1/2"(38)	3 1/4"(83)	MD	6 1/16"(154)
6"(152)	1 1/2"(38)	3 1/4"(83)	LD	10 3/4"(273)
7"(178)	1 9/16"(40)	3 5/16"(84)	LD	13 1/4"(337)
8"(203)	1 11/16"(43)	3 7/16"(87)	MD	19"(483)

Chart B

Pipe Size	60 PVC
2"(51)	4 1/2"(114)
3"(76)	4 1/2"(114)
4"(102)	4 1/2"(114)

Options for FD-290-PR-60 Series

Suffix	Description	List Price	Suffix	Description	List Price
-7	Trap Primer Tapping	No Add	-G-1	4x9" Oval Nickel Bronze Funnel	\$1,414.00
-8	Ball Float Backwater Valve	\$611.50			
-61	ABS Body w/Socket Outlet	164.50			
-F4-50	4" Round Cast Iron Funnel	291.00			
F4-1	4" Round Nickel Bronze Funnel	693.00			
-F6-1	6" Round Nickel Bronze Funnel	1,013.00			
-G-50	4x9" Oval Cast Iron Funnel	685.50			
-15	Strainer Extension (DD-50)	229.50			



Consult factory for all applications outside of listed parameters.
Prices do not include applicable taxes.

On-Grade Finished Area Floor Drains

FD-200-AS

Floor Drain with Angle Strainer



Model Number	Weight (lbs.)	Str. Size	Outlet Size	Strainer	List Price
FD-202, 3, 4-AS	8	5"x4"	2, 3, 4"	nickel bronze	\$3,060.00

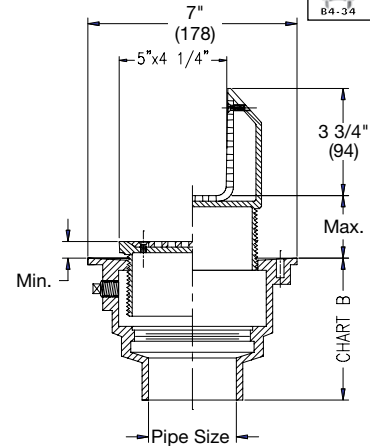


Chart A	
Min.	Max..
13/16"	3 1/4"

Chart B			
Pipe Size	No Hub	Push On	PVC/ABS
2"	4 3/4"	5 1/2"	4"
3"	4 3/4"	5 1/2"	4"
4"	4 3/4"	5 1/2"	4"

FD-200-DD

Floor Drain with Hub Funnel



Model Number	Weight (lbs.)	Str. Size	Outlet Size	Strainer	List Price
FD-202, 3, 4-DD-50	7	N/A	2, 3, 4"	cast iron	\$633.00
FD-202, 3, 4-DD-1	7	N/A	2, 3, 4"	nickel bronze	1,105.00

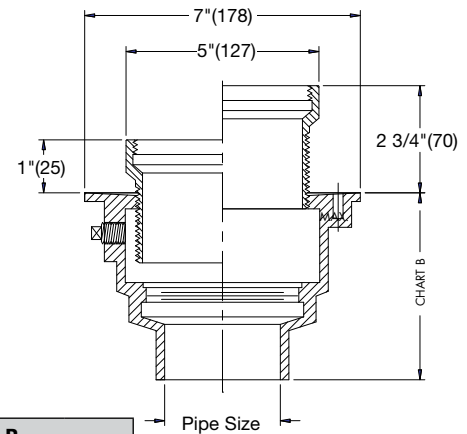


Chart A	
Min.	Max..
13/16"	3 1/4"

Chart B			
Pipe Size	No Hub	Push On	PVC/ABS
2"	4 3/4"	5 1/2"	4"
3"	4 3/4"	5 1/2"	4"
4"	4 3/4"	5 1/2"	4"

Options for FD-200 Series:

Suffix	Description	List Price	Suffix	Description	List Price
None	No Hub Outlet	No Add	-15	Strainer Extension (DD-50)	\$229.50
P	Push-On Outlet	No Add	-60	PVC Body w/Socket Outlet	No Add
X	Inside Caulk	No Add	-61	ABS Body w/Socket Outlet	No Add
-5	Sediment Bucket	\$176.00	-F4-50	4" Round Cast Iron Funnel	291.00
-6	Vandal Proof	88.50	-F4-1	4" Round Nickel Bronze Funnel	693.00
-7	Trap Primer Tapping	No Add	-F6-1	6" Round Nickel Bronze Funnel	1,013.00
-8	Ball Float Backwater Valve (2,3,4" Only)	611.50	-G-50	4x9" Oval Cast Iron Funnel	685.50
-13	Galvanized Body	317.50	-G-1	4x9" Oval Nickel Bronze Funnel	1,414.00

Consult factory for all applications outside of listed parameters.

Prices do not include applicable taxes.



On-Grade Finished Area Floor Drains

FD-200-EF

Floor Drain with Round Funnel



Model Number	Weight (lbs.)	Str. Size	Outlet Size	Funnel	List Price
FD-202, 3, 4-EF-1	9	5"	2, 3, 4"	nickel bronze	\$1,371.00
FD-202, 3, 4-EF-50	10	5"	2, 3, 4"	nickel bronze	965.50

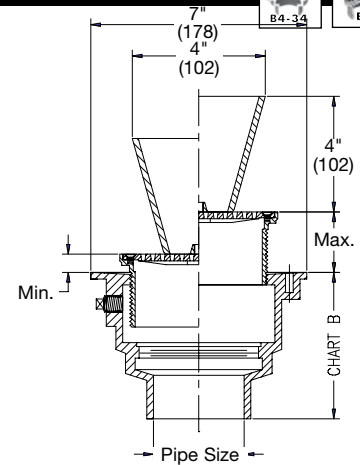


Chart A		
Strainer Dia.	Min.	Max.
5"	7/16"	1 5/8"

Chart B			
Pipe Size	No Hub	Push On	PVC/ABS
2"	4 3/4"	5 1/2"	4"
3"	4 3/4"	5 1/2"	4"
4"	4 3/4"	5 1/2"	4"

FD-200-EG

Floor Drain with Oval Funnel



Model Number	Weight (lbs.)	Str. Size	Outlet Size	Funnel	List Price
FD-202, 3, 4-EG-1	10	5"	2, 3, 4"	nickel bronze	\$2,090.00
FD-202, 3, 4-EG-50	10	5"	2, 3, 4"	cast iron	1,365.00

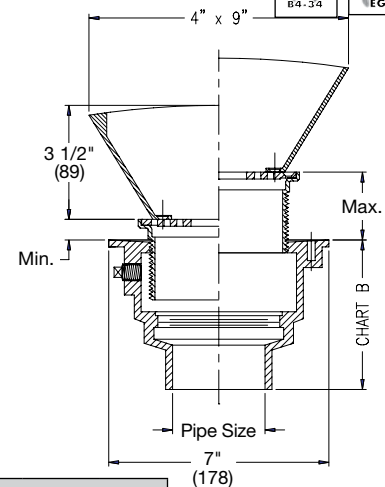


Chart A		
Strainer Dia.	Min.	Max.
5"	7/16"	1 5/8"

Chart B			
Pipe Size	No Hub	Push On	PVC/ABS
2"	4 3/4"	5 1/2"	4"
3"	4 3/4"	5 1/2"	4"
4"	4 3/4"	5 1/2"	4"

Options for FD-200 Series:

Suffix	Description	List Price	Suffix	Description	List Price
None	No Hub Outlet	No Add	-15	Strainer Extension (DD-50)	\$229.50
P	Push-On Outlet	No Add	-60	PVC Body w/Socket Outlet	No Add
X	Inside Caulk	No Add	-61	ABS Body w/Socket Outlet	No Add
-5	Sediment Bucket	176.00	-F6-1	6" Round Nickel Bronze Funnel	1,013.00
-6	Vandal Proof	88.50			
-7	Trap Primer Tapping	No Add			
-8	Ball Float Backwater Valve (2,3,4" Only)	611.50			
-13	Galvanized Body	317.50			



Consult factory for all applications outside of listed parameters.
Prices do not include applicable taxes.

On-Grade Finished Area Floor Drains

FD-200-ER Floor Drain with Extended Rim Strainer



Model Number	Weight (lbs.)	Str. Size	Outlet Size	Strainer	List Price
FD-202, 3, 4-ER5	11	5"	2, 3, 4"	nickel bronze	\$1,580.00
FD-202, 3, 4-ER7	12	7"	2, 3, 4"	nickel bronze	1,706.00
FD-202, 3, 4, ER9	13	9"	2, 3, 4"	nickel bronze	2,174.00

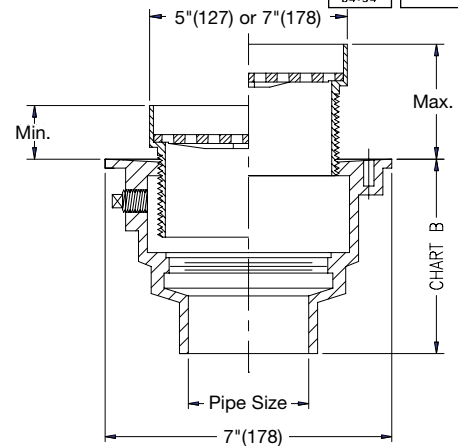


Chart A		
Strainer Dia.	Min.	Max.
5"	1 3/4"	3"
7"	1 3/4"	3"
9"	1 3/4"	3"

Chart B			
Pipe Size	No Hub	Push On	PVC/ABS
2"	4 3/4"	5 1/2"	4"
3"	4 3/4"	5 1/2"	4"
4"	4 3/4"	5 1/2"	4"

FD-200-FC Floor Drain with Surface Membrane Clamp



Model Number	Weight (lbs.)	Str. Size	Outlet Size	Strainer	List Price
FD-202, 3, 4-FC7	15	7"	2, 3, 4"	nickel bronze	\$2,292.00
FD-202, 3, 4-FC9	16	9"	2, 3, 4"	nickel bronze	3,177.00

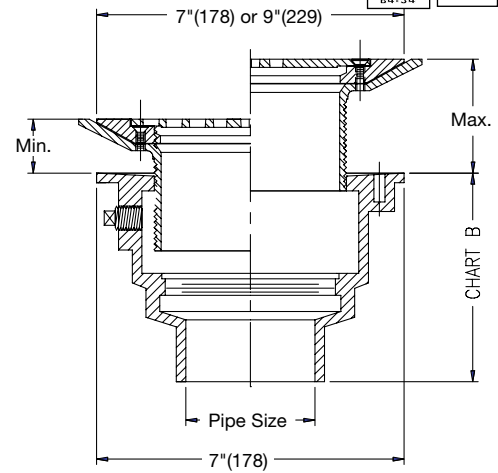


Chart A		
Strainer Dia.	Min.	Max.
7"	1 1/2"	2 3/4"
9"	1 1/2"	2 3/4"

Chart B			
Pipe Size	No Hub	Push On	PVC/ABS
2"	4 3/4"	5 1/2"	4"
3"	4 3/4"	5 1/2"	4"
4"	4 3/4"	5 1/2"	4"

Options for FD-200 Series:

Suffix	Description	List Price	Suffix	Description	List Price
None	No Hub Outlet	No Add	-15	Strainer Extension (DD-50)	\$229.50
P	Push-On Outlet	No Add	-60	PVC Body w/Socket Outlet	No Add
X	Inside Caulk	No Add	-61	ABS Body w/Socket Outlet	No Add
-5	Sediment Bucket	\$176.00	-F4-50	4" Round Cast Iron Funnel	291.00
-6	Vandal Proof	88.50	-F4-1	4" Round Nickel Bronze Funnel	693.00
-7	Trap Primer Tapping	No Add	-F6-1	6" Round Nickel Bronze Funnel	1,013.00
-8	Ball Float Backwater Valve (2,3,4" Only)	611.50	-G-50	4x9" Oval Cast Iron Funnel	685.50
-13	Galvanized Body	317.50	-G-1	4x9" Oval Nickel Bronze Funnel	1,414.00

Consult factory for all applications outside of listed parameters.

Prices do not include applicable taxes.



On-Grade Finished Area Floor Drains

FD-200-H

Floor Drain with Elastomeric Flange



Model Number	Weight (lbs.)	Str. Size	Outlet Size	Strainer	List Price
FD-202, 3, 4-H	15	6"	2, 3, 4"	nickel bronze	\$2,393.00

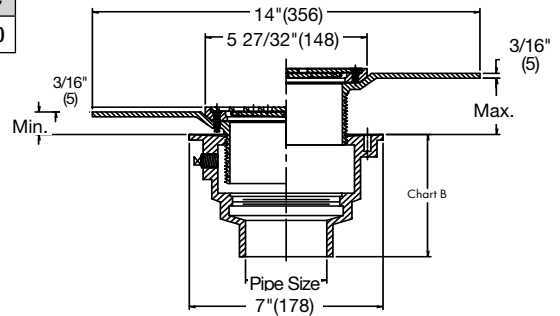


Chart A		
Strainer Dia.	Min.	Max.
6"	1"	2 1/4"

Chart B			
Pipe Size	No Hub	Push On	PVC/ABS
2"	4 3/4"	5 1/2"	4"
3"	4 3/4"	5 1/2"	4"
4"	4 3/4"	5 1/2"	4"

FD-200-K

Floor Drain with Dome Strainer



Model Number	Weight (lbs.)	Str. Size	Outlet Size	Strainer	List Price
FD-202, 3, 4-K	11	5" dome	2, 3, 4"	nickel bronze	\$999.50

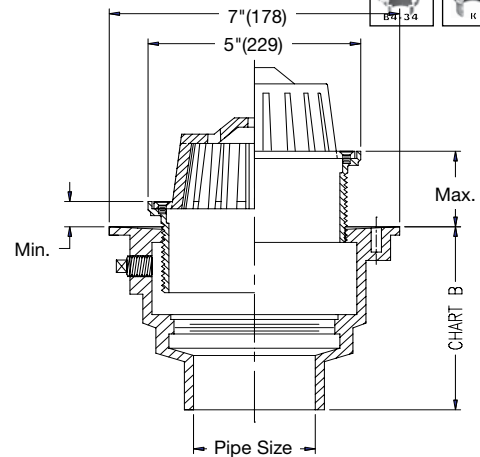


Chart A		
Strainer Dia.	Min.	Max.
5"	1"	2 1/4"

Chart B			
Pipe Size	No Hub	Push On	PVC/ABS
2"	4 3/4"	5 1/2"	4"
3"	4 3/4"	5 1/2"	4"
4"	4 3/4"	5 1/2"	4"

Options for FD-200 Series:

Suffix	Description	List Price	Suffix	Description	List Price
None	No Hub Outlet	No Add	-15	Strainer Extension (DD-50)	\$2.50
P	Push-On Outlet	No Add	-60	PVC Body w/Socket Outlet	No Add
X	Inside Caulk	No Add	-61	ABS Body w/Socket Outlet	No Add
-5	Sediment Bucket	\$176.00	-F4-50	4" Round Cast Iron Funnel	291.00
-6	Vandal Proof	88.50	-F4-1	4" Round Nickel Bronze Funnel	693.00
-7	Trap Primer Tapping	No Add	-F6-1	6" Round Nickel Bronze Funnel	1,013.00
-8	Ball Float Backwater Valve (2,3,4" Only)	611.50	-G-50	4x9" Oval Cast Iron Funnel	685.50
-13	Galvanized Body	317.50	-G-1	4x9" Oval Nickel Bronze Funnel	1,414.00



Consult factory for all applications outside of listed parameters.
Prices do not include applicable taxes.

On-Grade Finished Area Floor Drains

FD-200-L

Floor Drain with Square Heavy Duty Strainer



Model Number	Weight (lbs.)	Str. Size	Outlet Size	Strainer	List Price
FD-202, 3, 4-L5	10	5" Sq.	2, 3, 4"	nickel bronze	\$1,111.00
FD-202, 3, 4-L5-4	11	5" Sq.	2, 3, 4"	ductile iron	718.50
FD-202, 3, 4-L6	14	6" Sq.	2, 3, 4"	nickel bronze	1,325.00
FD-202, 3, 4-L6-9	14	6" Sq.	2, 3, 4"	NB hinged	1,771.00
FD-202, 3, 4-L8	16	8" Sq.	2, 3, 4"	nickel bronze	1,730.00
FD-202, 3, 4-L8-9	16	8" Sq.	2, 3, 4"	NB hinged	2,349.00

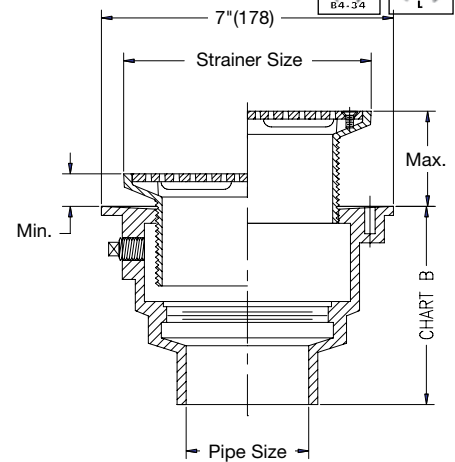
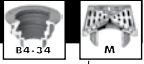


Chart A		
Strainer Dia.	Min.	Max.
5"x5"	1 1/2"	2 5/16"
6"x6"	1 1/2"	2 5/16"
8"x8"	1 1/2"	2 3/4"

Chart B			
Pipe Size	No Hub	Push On	PVC/ABS
2"	4 3/4"	5 1/2"	4"
3"	4 3/4"	5 1/2"	4"
4"	4 3/4"	5 1/2"	4"

FD-200-M

Floor Drain with Square Strainer



Model Number	Weight (lbs.)	Str. Size	Outlet Size	Strainer	List Price
FD-202, 3, 4-M5	10	5" Sq.	2, 3, 4"	nickel bronze	\$1,041.00
FD-202, 3, 4-M6	14	6" Sq.	2, 3, 4"	nickel bronze	1,160.00
FD-202, 3, 4-M6-9	14	6" Sq.	2, 3, 4"	NB hinged	1,309.00
FD-202, 3, 4-M8	16	8" Sq.	2, 3, 4"	nickel bronze	1,687.00
FD-202, 3, 4-M8-9	16	8" Sq.	2, 3, 4"	NB hinged	2,131.00

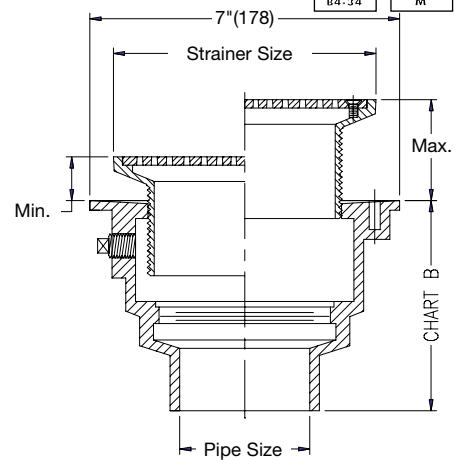


Chart A		
Strainer Dia.	Min.	Max.
5"x5"	1 1/2"	2 5/16"
6"x6"	1 1/2"	2 5/16"
8"x8"	1 1/2"	2 3/4"

Chart B			
Pipe Size	No Hub	Push On	PVC/ABS
2"	4 3/4"	5 1/2"	4"
3"	4 3/4"	5 1/2"	4"
4"	4 3/4"	5 1/2"	4"

Options for FD-200 Series:

Suffix	Description	List Price	Suffix	Description	List Price
None	No Hub Outlet	No Add	-15	Strainer Extension (DD-50)	\$229.50
P	Push-On Outlet	No Add	-60	PVC Body w/Socket Outlet	No Add
X	Inside Caulk	No Add	-61	ABS Body w/Socket Outlet	No Add
-5	Sediment Bucket	\$176.00	-F4-50	4" Round Cast Iron Funnel	291.00
-6	Vandal Proof	88.50	-F4-1	4" Round Nickel Bronze Funnel	770.00
-7	Trap Primer Tapping	No Add	-F6-1	6" Round Nickel Bronze Funnel	1,013.00
-8	Ball Float Backwater Valve (2,3,4" Only)	611.50	-G-50	4x9" Oval Cast Iron Funnel	685.50
-13	Galvanized Body	317.50	-G-1	4x9" Oval Nickel Bronze Funnel	1,414.00

Consult factory for all applications outside of listed parameters.

Prices do not include applicable taxes.

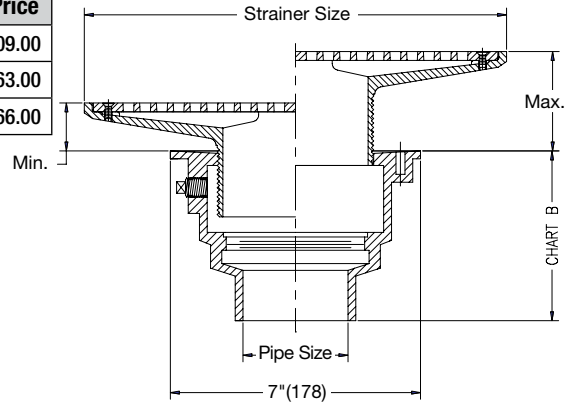


On-Grade Finished Area Floor Drains

FD-200-RS Floor Drain with Rectangular Strainer



Model Number	Weight (lbs.)	Str. Size	Outlet Size	Strainer	List Price
FD-202, 3, 4-RS48	12	4"x8"	2, 3, 4"	nickel bronze	\$1,609.00
FD-202, 3, 4-RS412	14	4"x12"	2, 3, 4"	nickel bronze	1,963.00
FD-202, 3, 4-RS517	24	5"x17"	2, 3, 4"	nickel bronze	2,366.00



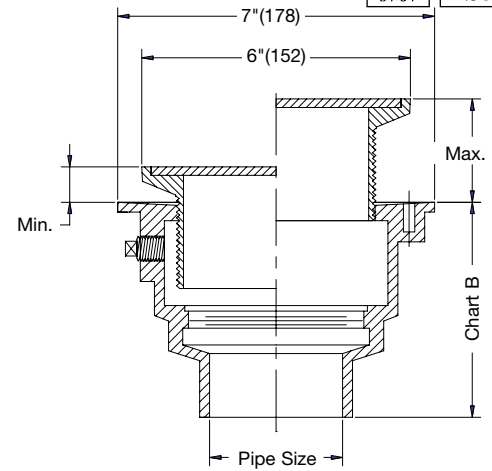
Strainer	Min.	Max.
4"x8"	1 1/2"	2 3/4"
4"x12"	1 1/2"	3"
5"x17"	1 1/2"	3 1/2"

Pipe Size	No Hub	Push On	PVC/ABS
2"	4 3/4"	5 1/2"	4"
3"	4 3/4"	5 1/2"	4"
4"	4 3/4"	5 1/2"	4"

FD-200-VD Floor Drain with Round Hinged Solid Cover



Model Number	Weight (lbs.)	Str. Size	Outlet Size	Strainer	List Price
FD-202, 3, 4-VD	15	6" cover	2, 3, 4"	nickel bronze	\$1,304.00



Pipe Size	No Hub	Push On	PVC/ABS
2"	4 3/4"	5 1/2"	4"
3"	4 3/4"	5 1/2"	4"
4"	4 3/4"	5 1/2"	4"

Options for FD-200 Series:

Suffix	Description	List Price	Suffix	Description	List Price
None	No Hub Outlet	No Add	-15	Strainer Extension (DD-50)	\$229.50
P	Push-On Outlet	No Add	-60	PVC Body w/Socket Outlet	No Add
X	Inside Caulk	No Add	-61	ABS Body w/Socket Outlet	No Add
-5	Sediment Bucket	\$176.00	-F4-50	4" Round Cast Iron Funnel	291.00
-6	Vandal Proof	88.50	-F4-1	4" Round Nickel Bronze Funnel	770.00
-7	Trap Primer Tapping	No Add	-F6-1	6" Round Nickel Bronze Funnel	1,013.00
-8	Ball Float Backwater Valve (2,3,4" Only)	611.50	-G-50	4x9" Oval Cast Iron Funnel	685.50
-13	Galvanized Body	317.50	-G-1	4x9" Oval Nickel Bronze Funnel	1,414.00



Consult factory for all applications outside of listed parameters.
Prices do not include applicable taxes.

On-Grade Finished Area Floor Drains

FD-200-VS

Floor Drain with Square Hinged Solid Cover



Model Number	Weight (lbs.)	Str. Size	Outlet Size	Strainer	List Price
FD-202, 3, 4-VS	15	6"x6"	2, 3, 4"	nickel bronze	\$1,903.00

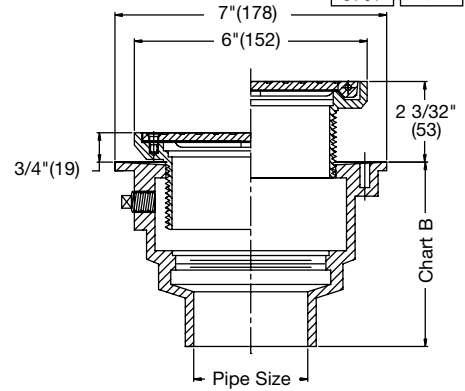


Chart B			
Pipe Size	No Hub	Push On	PVC/ABS
2"	4 3/4"	5 1/2"	4"
3"	4 3/4"	5 1/2"	4"
4"	4 3/4"	5 1/2"	4"

FD-200-WD

Floor Drain with Domed Standpipe



Model Number	Weight (lbs.)	Strainer Type	Outlet Size	List Price
FD-202, 3, 4-WD	11	domed standpipe	2, 3, 4"	\$1,673.00

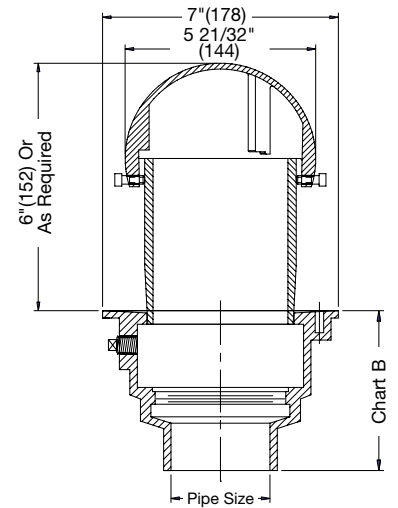


Chart B			
Pipe Size	No Hub	Push On	PVC/ABS
2"	4 3/4"	5 1/2"	4"
3"	4 3/4"	5 1/2"	4"
4"	4 3/4"	5 1/2"	4"

Options for FD-200 Series:

Suffix	Description	List Price	Suffix	Description	List Price
None	No Hub Outlet	No Add	-15	Strainer Extension (DD-50)	\$229.50
P	Push-On Outlet	No Add	-60	PVC Body w/Socket Outlet	No Add
X	Inside Caulk	No Add	-61	ABS Body w/Socket Outlet	No Add
-5	Sediment Bucket	\$176.00	-F4-50	4" Round Cast Iron Funnel	291.00
-6	Vandal Proof	88.50	-F4-1	4" Round Nickel Bronze Funnel	770.00
-7	Trap Primer Tapping	No Add	-F6-1	6" Round Nickel Bronze Funnel	1,013.00
-8	Ball Float Backwater Valve (2,3,4" Only)	611.50	-G-50	4x9" Oval Cast Iron Funnel	685.50
-13	Galvanized Body	317.50	-G-1	4x9" Oval Nickel Bronze Funnel	1,414.00

Consult factory for all applications outside of listed parameters.

Prices do not include applicable taxes.



On-Grade Finished Area Floor Drains

FD-230-A

Combined Floor Drain/Cleanout with Integral Trap

Model Number	Weight (lbs.)	Str. Size	Outlet Size	Strainer	List Price
FD-232, 3, 4-A5	57	5"	2, 3, 4"	nickel bronze	\$2,872.00
FD-232, 3, 4-A6	58	6"	2, 3, 4"	nickel bronze	3,050.00
FD-232, 3, 4-A7	60	7"	2, 3, 4"	nickel bronze	3,210.00
FD-232, 3, 4-M5	60	5"	2, 3, 4"	nickel bronze	2,994.00
FD-232, 3, 4-M6	60	6"	2, 3, 4"	nickel bronze	2,922.00

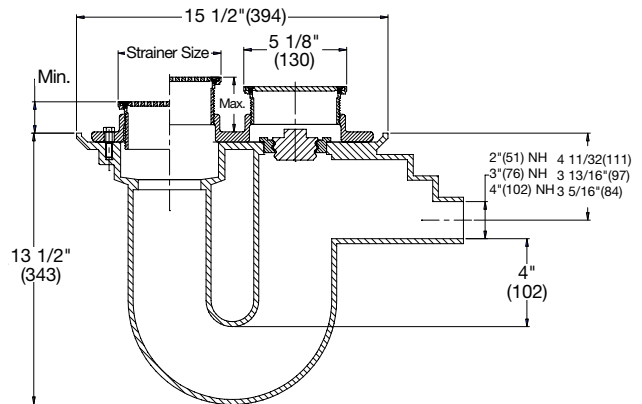


Chart A		
Str. Size	Min.	Max.
5" Dia.	1 7/16"	2 1/4"
6" Dia.	1 9/16"	2 3/8"
7" Dia.	1 11/16"	3 1/4"
5" Sq.	7/8"	3 1/4"
6" Sq.	1"	3 1/4"

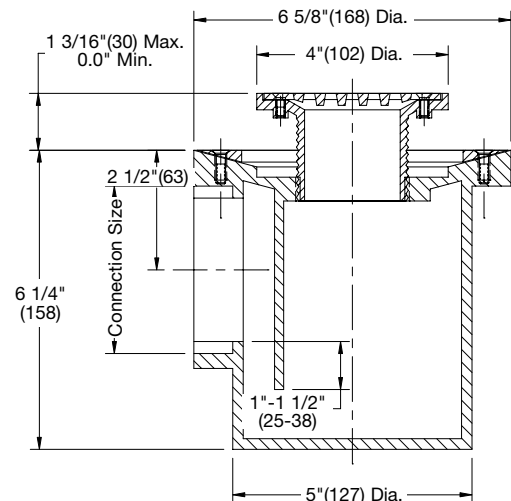
Options for FD-230 Series:

Suffix	Description	List Price	Suffix	Description	List Price
-7	Trap Primer Tapping	\$244.50	-F6-1	6" Round Nickel Bronze Funnel	\$1,013.00
-15	Strainer Extension (DD-50)	229.50	-G-50	4x9" Oval Cast Iron Funnel	685.50
-F4-50	4" Round Cast Iron Funnel	291.00	-G-1	4x9" Oval Nickel Bronze Funnel	1,414.00
-F4-1	4" Round Nickel Bronze Funnel	693.00			

FD-240

Prison Cell Floor Drain

Model Number	Weight (lbs.)	Str. Size	Outlet Size	Strainer	List Price
FD-242	15	4"	2"	nickel bronze	\$1,628.00
FD-243	14	4"	3"	nickel bronze	1,817.00



Options for FD-240 Series

Suffix	Description	List Price
-7	Trap Primer Tapping	\$245.00
-CP	Chrome Plated Top	420.00



Consult factory for all applications outside of listed parameters.
Prices do not include applicable taxes.

Area Drains

FD-300

Area Drain with 7" Adjustable Top



Model Number	Weight (lbs.)	Grate Size	Outlet Size	Grate	List Price
FD-302, 3, 4	13	7"	2,3,4"	ductile iron	\$763.50
FD-302, 3, 4-1	18	7"	2,3,4"	nickel bronze	1,703.00

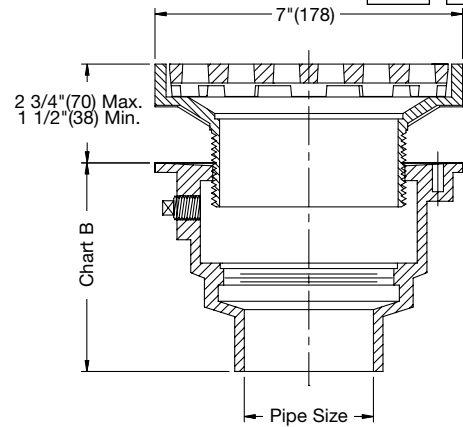


Chart B			
Pipe Size	No Hub	Push On	PVC/ABS
2"	4 3/4"	5 1/2"	4"
3"	4 3/4"	5 1/2"	4"
4"	4 3/4"	5 1/2"	4"

Options for FD-300 Series

Suffix	Description	List Price
-C	Membrane Clamp	\$214.50

FD-310

Area Drain with 7" Fixed Top



Model Number	Weight (lbs.)	Grate Size	Outlet Size	Grate	List Price
FD-312, 3, 4	13	7"	2,3,4"	ductile iron	\$708.00
FD-312, 3, 4-1	18	7"	2,3,4"	nickel bronze	1,696.00

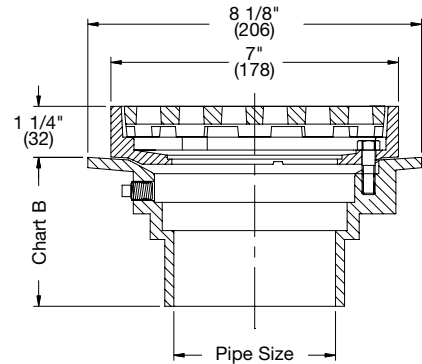


Chart B					
Pipe Size	No Hub	Push On	Female Thread	Inside Caulk	PVC/ABS
2"	3 5/8"	3 5/8"	4 1/4"	4 1/4"	2 3/4"
3"	3 5/8"	4"	4 1/4"	4 1/4"	3 5/8"
4"	3 5/8"	4"	4 1/4"	4 1/4"	3 7/8"
6"	3 1/2"	-	-	-	-

Options for FD-300, 310, 320, 330 Series:

Suffix	Description	List Price	Suffix	Description	List Price
None	No Hub	No Add	-34	Closure Plug	\$197.50
P	Push-On	No Add	-60	PVC Body w/Socket Outlet (2,3,4" only)	No Add
T	Threaded Outlet	\$131.50	-61	ABS Body w/Socket Outlet (2,3,4" only)	No Add
X	Inside Caulk Outlet	No Add	-F4-50	4" Round Cast Iron Funnel	291.00
None	6" Outlet - No Hub Only	196.00	-F4-1	4" Round Nickel Bronze Funnel	693.00
-5	Sediment Bucket	225.00	-F6-1	6" Round Nickel Bronze Funnel	1,013.00
-6	Vandal Proof	239.00	-G-50	4x9" Oval Cast Iron Funnel	685.50
-7	Trap Primer Tapping	No Add	-G-1	4x9" Oval Nickel Bronze Funnel	1,414.00
-8	Ball Float Backwater Valve (2,3,4" Only)	611.50	-S0	Side Outlet (2, 3, 4" only)	355.00
-13	All Galvanized (unless other top specified)	689.00			
-21	Secondary Strainer	110.50			

Consult factory for all applications outside of listed parameters.

Prices do not include applicable taxes.



Area Drains

FD-320

Area Drain with 8" Adjustable Top



Model Number	Weight (lbs.)	Grate Size	Outlet Size	Grate	List Price
FD-322, 3, 4	19	8"	2, 3, 4"	ductile iron	\$1,152.00
FD-322, 3, 4-1	20	8"	2, 3, 4"	nickel bronze	2,027.00

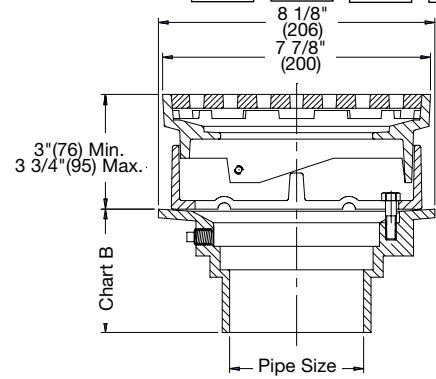


Chart B					
Pipe Size	No Hub	Push On	Female Thread	Inside Caulk	PVC/ABS
2"	3 5/8"	3 5/8"	4 1/4"	4 1/4"	2 3/4"
3"	3 5/8"	4"	4 1/4"	4 1/4"	3 5/8"
4"	3 5/8"	4"	4 1/4"	4 1/4"	3 7/8"
6"	3 1/2"	-	-	-	-

FD-320-SET

Area Drain with 8" Adjustable Top, Grate Supported by Bucket

Model Number	Weight (lbs.)	Grate Size	Outlet Size	Grate	List Price
FD-322, 3, 4-Set	19	8"	2, 3, 4"	ductile iron	\$1,343.00
FD-322, 3, 4-Set-1	19	8"	2, 3, 4"	nickel bronze	3,125.00

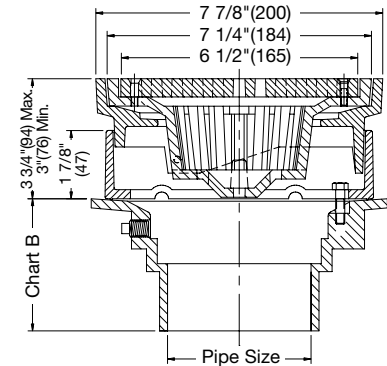


Chart B					
Pipe Size	No Hub	Push On	Female Thread	Inside Caulk	PVC/ABS
2"	3 5/8"	3 5/8"	4 1/4"	4 1/4"	2 3/4"
3"	3 5/8"	4"	4 1/4"	4 1/4"	3 5/8"
4"	3 5/8"	4"	4 1/4"	4 1/4"	3 7/8"
6"	3 1/2"	-	-	-	-

Options for FD-300, 310, 320, 330 Series:

Suffix	Description	List Price	Suffix	Description	List Price
None	No Hub	No Add	-34	Closure Plug	\$197.50
P	Push-On	No Add	-60	PVC Body w/Socket Outlet (2,3,4" only)	No Add
T	Threaded Outlet	\$131.50	-61	ABS Body w/Socket Outlet (2,3,4" only)	No Add
X	Inside Caulk Outlet	No Add	-F4-50	4" Round Cast Iron Funnel	291.00
None	6" Outlet - No Hub Only	196.00	-F4-1	4" Round Nickel Bronze Funnel	693.00
-5	Sediment Bucket	225.00	-F6-1	6" Round Nickel Bronze Funnel	1,013.00
-6	Vandal Proof	239.00	-G-50	4x9" Oval Cast Iron Funnel	685.50
-7	Trap Primer Tapping	No Add	-G-1	4x9" Oval Nickel Bronze Funnel	1,414.00
-8	Ball Float Backwater Valve (2,3,4" Only)	611.50	-S0	Side Outlet (2, 3, 4" only)	355.00
-13	All Galvanized (unless other top specified)	689.00			
-21	Secondary Strainer	110.50			



Consult factory for all applications outside of listed parameters.
Prices do not include applicable taxes.

Area Drains

FD-320-Y

Area Drain with 8" Fixed Top



Model Number	Weight (lbs.)	Grate Size	Outlet Size	Grate	List Price
FD-322, 3, 4-Y	19	8"	2, 3, 4"	ductile iron	\$823.00
FD-322, 3, 4-Y-1	20	8"	2, 3, 4"	nickel bronze	1,778.00

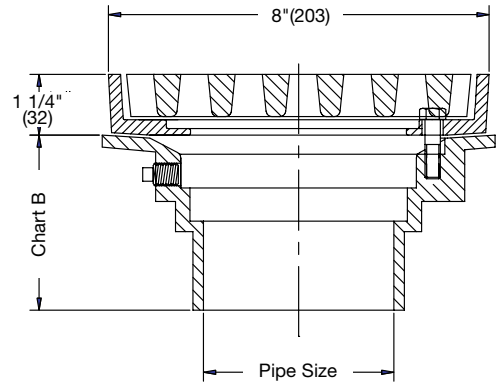


Chart B					
Pipe Size	No Hub	Push On	Female Thread	Inside Caulk	PVC/ABS
2"	3 5/8"	3 5/8"	4 1/4"	4 1/4"	2 3/4"
3"	3 5/8"	4"	4 1/4"	4 1/4"	3 5/8"
4"	3 5/8"	4"	4 1/4"	4 1/4"	3 7/8"
6"	3 1/2"	-	-	-	-

Options for FD-320-Y Series

Suffix	Description	List Price
-5SS	Type 304 Stainless Steel Sediment Bucket	\$557.50
-28	All Type 304 Stainless Steel	1,585.00

FD-320-Y-SET

Area Drain with 8" Fixed Top, Grate Supported by Bucket

Model Number	Weight (lbs.)	Grate Size	Outlet Size	Grate	List Price
FD-322, 3, 4-Y-SET	19	8"	2, 3, 4"	ductile iron	\$969.00
FD-322, 3, 4-Y-SET-1	19	8"	2, 3, 4"	nickel bronze	2,364.00

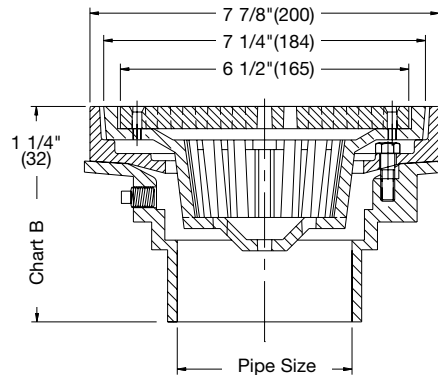


Chart B					
Pipe Size	No Hub	Push On	Female Thread	Inside Caulk	PVC/ABS
2"	3 5/8"	3 5/8"	4 1/4"	4 1/4"	2 3/4"
3"	3 5/8"	4"	4 1/4"	4 1/4"	3 5/8"
4"	3 5/8"	4"	4 1/4"	4 1/4"	3 7/8"
6"	3 1/2"	-	-	-	-

Options for FD-300, 310, 320, 330 Series:

Suffix	Description	List Price	Suffix	Description	List Price
None	No Hub	No Add	-34	Closure Plug	\$197.50
P	Push-On	No Add	-60	PVC Body w/Socket Outlet (2,3,4" only)	No Add
T	Threaded Outlet	\$131.50	-61	ABS Body w/Socket Outlet (2,3,4" only)	No Add
X	Inside Caulk Outlet	No Add	-F4-50	4" Round Cast Iron Funnel	291.00
None	6" Outlet - No Hub Only	196.00	-F4-1	4" Round Nickel Bronze Funnel	693.00
-5	Sediment Bucket	225.00	-F6-1	6" Round Nickel Bronze Funnel	1,013.00
-6	Vandal Proof	239.00	-G-50	4x9" Oval Cast Iron Funnel	685.50
-7	Trap Primer Tapping	No Add	-G-1	4x9" Oval Nickel Bronze Funnel	1,414.00
-8	Ball Float Backwater Valve (2,3,4" Only)	611.50	-S0	Side Outlet (2, 3, 4" only)	355.00
-13	All Galvanized (unless other top specified)	689.00			
-21	Secondary Strainer	110.50			

Consult factory for all applications outside of listed parameters.

Prices do not include applicable taxes.



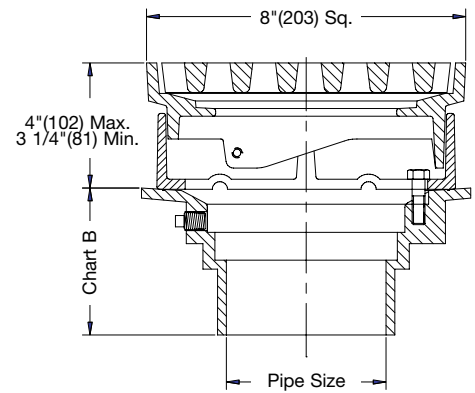
Area Drains

FD-330

Area Drain with 8" x 8" Adjustable Top



Model Number	Weight (lbs.)	Grate Size	Outlet Size	Grate	List Price
FD-332, 3, 4	22	8" Sq.	2, 3, 4"	ductile iron	\$1,682.00
FD-332, 3, 4-1	23	8" Sq.	2, 3, 4"	nickel bronze	2,826.00



Options for FD-330 Series

Suffix	Description	List Price
-9	Hinged Grate	\$420.00

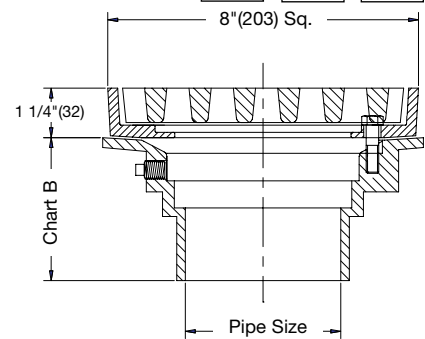
Pipe Size	No Hub	Push On	Female Thread	Inside Caulk	PVC/ABS
2"	3 5/8"	3 5/8"	4 1/4"	4 1/4"	2 3/4"
3"	3 5/8"	4"	4 1/4"	4 1/4"	3 5/8"
4"	3 5/8"	4"	4 1/4"	4 1/4"	3 7/8"
6"	3 1/2"	-	-	-	-

FD-330-Y

Area Drain with 8" x 8" Fixed Top



Model Number	Weight (lbs.)	Grate Size	Outlet Size	Grate	List Price
FD-332, 3, 4-Y	22	8" Sq.	2, 3, 4"	ductile iron	\$1,344.00
FD-332, 3, 4-Y-1	23	8" Sq.	2, 3, 4"	nickel bronze	2,337.00



Options for FD-330-Y Series

Suffix	Description	List Price
-9	Hinged Grate	\$420.00

Pipe Size	No Hub	Push On	Female Thread	Inside Caulk	PVC/ABS
2"	3 5/8"	3 5/8"	4 1/4"	4 1/4"	2 3/4"
3"	3 5/8"	4"	4 1/4"	4 1/4"	3 5/8"
4"	3 5/8"	4"	4 1/4"	4 1/4"	3 7/8"
6"	3 1/2"	-	-	-	-

Options for FD-300, 310, 320, 330 Series:

Suffix	Description	List Price	Suffix	Description	List Price
None	No Hub	No Add	-34	Closure Plug	\$197.50
P	Push-On	No Add	-60	PVC Body w/Socket Outlet (2,3,4" only)	No Add
T	Threaded Outlet	\$131.50	-61	ABS Body w/Socket Outlet (2,3,4" only)	No Add
X	Inside Caulk Outlet	No Add	-F4-50	4" Round Cast Iron Funnel	291.00
None	6" Outlet - No Hub Only	196.00	-F4-1	4" Round Nickel Bronze Funnel	693.00
-5	Sediment Bucket	225.00	-F6-1	6" Round Nickel Bronze Funnel	1,013.00
-6	Vandal Proof	239.00	-G-50	4x9" Oval Cast Iron Funnel	685.50
-7	Trap Primer Tapping	No Add	-G-1	4x9" Oval Nickel Bronze Funnel	1,414.00
-8	Ball Float Backwater Valve (2,3,4" Only)	611.50	-S0	Side Outlet (2, 3, 4" only)	355.00
-13	All Galvanized (unless other top specified)	689.00			
-21	Secondary Strainer	110.50			



Consult factory for all applications outside of listed parameters.
Prices do not include applicable taxes.

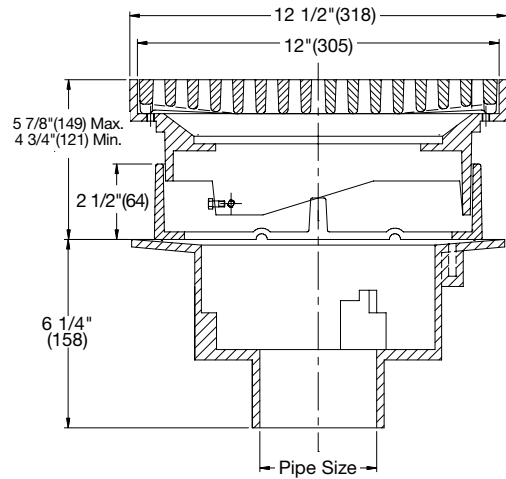
Area Drains

FD-340

Area Drain with 12" Round Adjustable Top



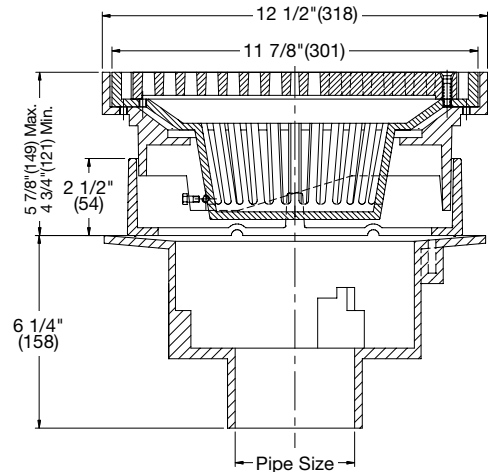
Model Number	Weight (lbs.)	Grate Size	Outlet Size	Grate	List Price
FD-342,3,4,5,6,8	62	12"	2,3,4,5,6,8"	ductile iron	\$2,384.00
FD-342,3,4,5,6,8-1	62	12"	2,3,4,5,6,8"	nickel bronze	4,421.00



FD-340-SET

Area Drain with 12" Round Adjustable Top, Grate Supported By Bucket

Model Number	Weight (lbs.)	Grate Size	Outlet Size	Grate	List Price
FD-342,3,4,5,6,8-SET	62	12"	2,3,4,5,6,8"	ductile iron	\$2,882.00
FD-342,3,4,5,6,8-1-SET	62	12"	2,3,4,5,6,8"	nickel bronze	4,094.00



Options for FD-340, FD-340-SET Series:

Suffix	Description	List Price	Suffix	Description	List Price
None	No Hub	No Add	-34	Closure Plug	\$197.50
P	Push-On Outlet (2,3,4,6" only)	No Add	-60	PVC Body w/Socket Outlet (2,3,4" only)	No Add
T	Threaded Outlet (2,3,4,6" only)	\$131.50	-61	ABS Body w/Socket Outlet (2,3,4" only)	No Add
X	Inside Caulk Outlet (2,3,4,6" only)	No Add	-F4-50	4" Round Cast Iron Funnel	291.00
-5	Sediment Bucket	416.00	-F4-1	4" Round Nickel Bronze Funnel	693.00
-6	Vandal Proof	239.00	-F6-1	6" Round Nickel Bronze Funnel	1,013.00
-7	Trap Primer Tapping	245.00	-G-50	4x9" Oval Cast Iron Funnel	685.50
-8	Ball Float Backwater Valve (2,3,4" only)	611.50	-G-1	4x9" Oval Nickel Bronze Funnel	1,414.00
-13	All Galvanized (unless other top specified)	1,308.00	-S0	Side Outlet (2, 3, 4" only)	545.00
-21	Secondary Strainer	110.50			

Consult factory for all applications outside of listed parameters.

Prices do not include applicable taxes.



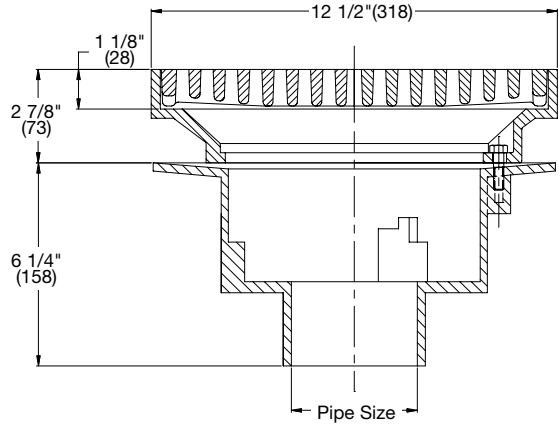
Area Drains

FD-340-Y

Area Drain with 12" Round Fixed Top



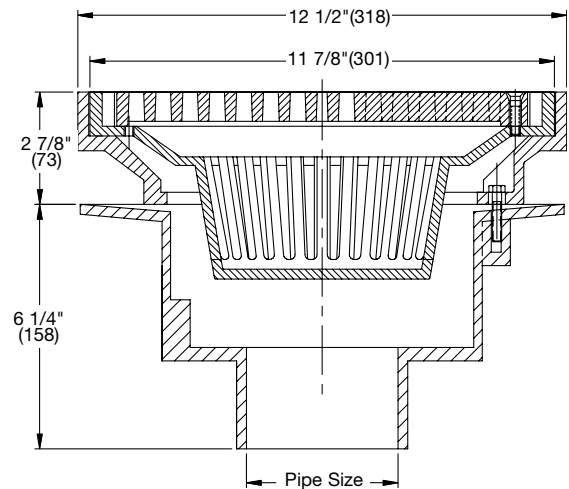
Model Number	Weight (lbs.)	Grate Size	Outlet Size	Grate	List Price
FD-342,3,4,5,6,8-Y	60	12"	2,3,4,5,6,8"	ductile iron	\$1,793.00
FD-342,3,4,5,6,8-Y-1	60	12"	2,3,4,5,6,8"	nickel bronze	3,538.00



FD-340-Y-SET

Area Drain with 12" Round Fixed Top Grate Supported By Bucket

Model Number	Weight (lbs.)	Grate Size	Outlet Size	Grate	List Price
FD-342,3,4,5,6,8-Y-SET	60	12"	2,3,4,5,6,8"	ductile iron	\$2,435.00
FD-342,3,4,5,6,8-Y-1-SET	60	12"	2,3,4,5,6,8"	nickel bronze	4,259.00



Options for FD-340, FD-340-Y Series:

Suffix	Description	List Price	Suffix	Description	List Price
None	No Hub	No Add	-34	Closure Plug	\$197.50
P	Push-On Outlet (2,3,4,6" only)	No Add	-60	PVC Body w/Socket Outlet (2,3,4" only)	No Add
T	Threaded Outlet (2,3,4,6" only)	\$131.50	-61	ABS Body w/Socket Outlet (2,3,4" only)	No Add
X	Inside Caulk Outlet (2,3,4,6" only)	No Add	-F4-50	4" Round Cast Iron Funnel	291.00
-5	Sediment Bucket	416.00	-F4-1	4" Round Nickel Bronze Funnel	693.00
-6	Vandal Proof	239.00	-F6-1	6" Round Nickel Bronze Funnel	1,013.00
-7	Trap Primer Tapping	245.00	-G-50	4x9" Oval Cast Iron Funnel	685.50
-8	Ball Float Backwater Valve (2,3,4" only)	611.50	-G-1	4x9" Oval Nickel Bronze Funnel	1,414.00
-13	All Galvanized (unless other top specified)	1,308.00	-S0	Side Outlet (2, 3, 4" only)	545.00
-21	Secondary Strainer	110.50			



Consult factory for all applications outside of listed parameters.
Prices do not include applicable taxes.

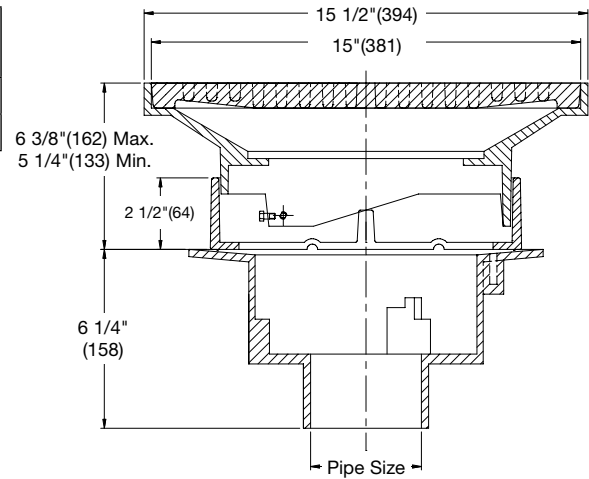
Area Drains

FD-360

Area Drain with 15" Round Adjustable Top



Model Number	Weight (lbs.)	Grate Size	Outlet Size	Grate	List Price
FD-362,3,4,5,6,8	110	15"	2,3,4,5,6,8"	ductile iron	\$5,352.00
FD-362,3,4,5,6,8-1	110	15"	2,3,4,5,6,8"	nickel bronze	8,112.00

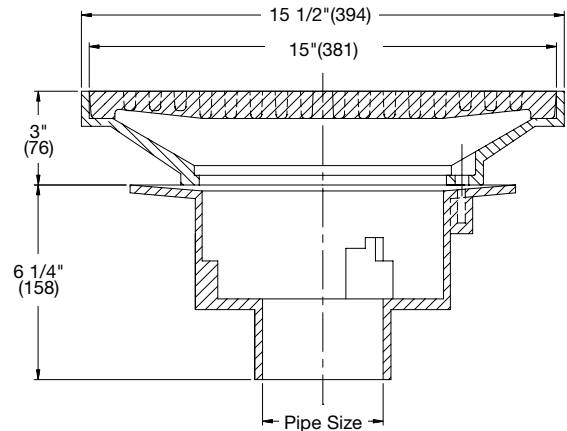


FD-360-Y

Area Drain with 15" Round Fixed Top



Model Number	Weight (lbs.)	Grate Size	Outlet Size	Grate	List Price
FD-362,3,4,5,6,8-Y	110	15"	2,3,4,5,6,8"	ductile iron	\$4,634.00
FD-362,3,4,5,6,8-Y-1	110	15"	2,3,4,5,6,8"	nickel bronze	7,184.00



Options for FD-360, FD-360-Y Series:

Suffix	Description	List Price	Suffix	Description	List Price
None	No Hub	No Add	-34	Closure Plug	\$197.50
P	Push-On (2,3,4,6" Only)	No Add	-60	PVC Body w/Socket Outlet (2,3,4,6" Only)	No Add
T	Threaded Outlet (2,3,4,6" Only)	\$131.50	-61	ABS Body w/Socket Outlet (2,3,4" Only)	No Add
X	Inside Caulk Outlet (2,3,4,6" Only)	No Add	-F4-50	4" Round Cast Iron Funnel	291.00
-5	Sediment Bucket	416.00	-F4-1	4" Round Nickel Bronze Funnel	693.00
-6	Vandal Proof	239.00	-F6-1	6" Round Nickel Bronze Funnel	1,013.00
-7	Trap Primer Tapping	245.00	-G-50	4x9" Oval Cast Iron Funnel	685.50
-8	Ball Float Backwater Valve (2,3,4" only)	611.50	-G-1	4x9" Oval Nickel Bronze Funnel	1,414.00
-13	All Galvanized (unless other top specified)	3,175.00	-S0	Side Outlet (2, 3, 4" Only)	545.00
-21	Secondary Strainer	110.50			

Consult factory for all applications outside of listed parameters.

Prices do not include applicable taxes.

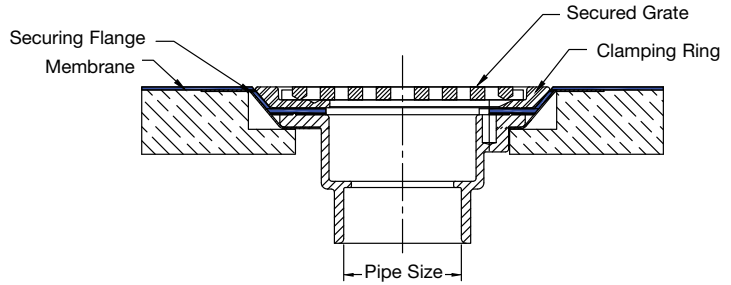


Specialty Drains

FD-370

Wood Deck Drain w/Surface Membrane Clamp

Model Number	Weight (lbs.)	Grate Size	Outlet Size	Grate	List Price
FD-372	4	5"	2" ABS	aluminum	\$663.00



Typical Installation

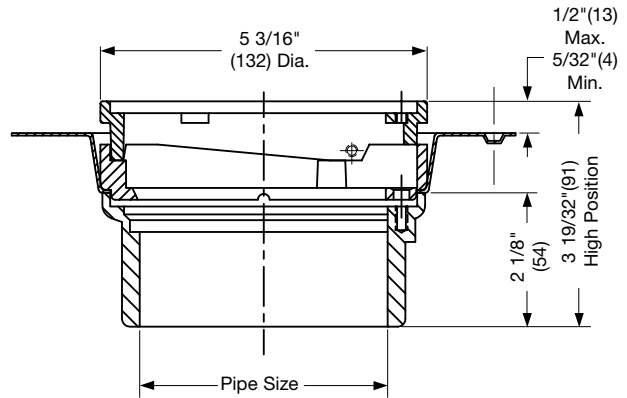
Options for FD-370 Series:

Suffix	Description	List Price
-6	Vandal Proof	\$82.25

FD-380

Adjustable Wood Floor Drain

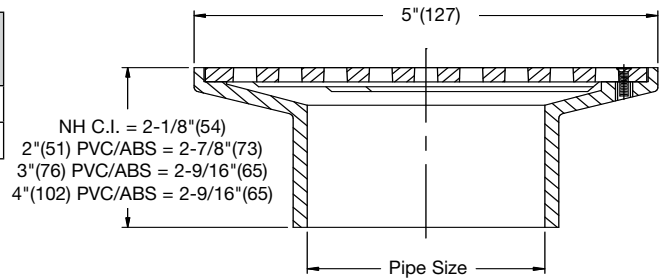
Model Number	Weight (lbs.)	Grate Size	Outlet Size	Grate	List Price
FD-382,3,4	7	5"	2,3,4"	nickel bronze	\$991.00



FD-390-E

General Purpose Floor Drain

Model Number	Weight (lbs.)	Grate Size	Outlet Size	Grate	List Price
FD-392,3,4-E	5	5"	2,3,4"	ductile iron	\$306.00
FD-392,3,4-E-1	5	5"	2,3,4"	nickel bronze	377.50



Options for FD-380 Series:

Suffix	Description	List Price	Suffix	Description	List Price
None	No Hub	No Add	-F4-1	4" Round Bronze Funnel	\$693.00
-6	Vandal Proof	\$88.50	-F6-1	6" Round Nickel Bronze Funnel	1,013.00
-60	PVC Body w/Socket Outlet (2,3,4,6" Only)	No Add	G-50	4x9" Oval Cast Iron Funnel	685.50
-61	ABS Body w/Socket Outlet	No Add	G-1	4x9" Oval Nickel Bronze Funnel	1,414.00
-E	5/16 Stackable Strainer Extension	135.00			
-F4-50	4" Round Cast Iron Funnel	355.00			



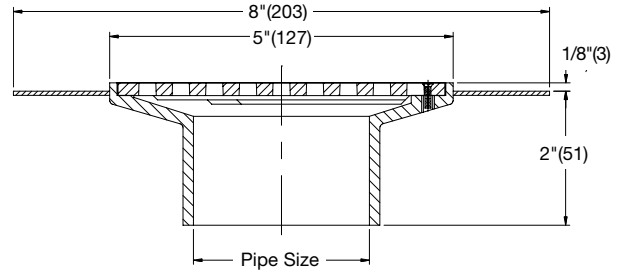
Consult factory for all applications outside of listed parameters.
Prices do not include applicable taxes.

Specialty Drains

FD-390-E-63

Floor Drain for Wooden Floors

Model Number	Weight (lbs.)	Grate Size	Outlet Size	Grate	List Price
FD-392,3,4-E-63	7	5"	2,3,4"	nickel bronze	\$720.00



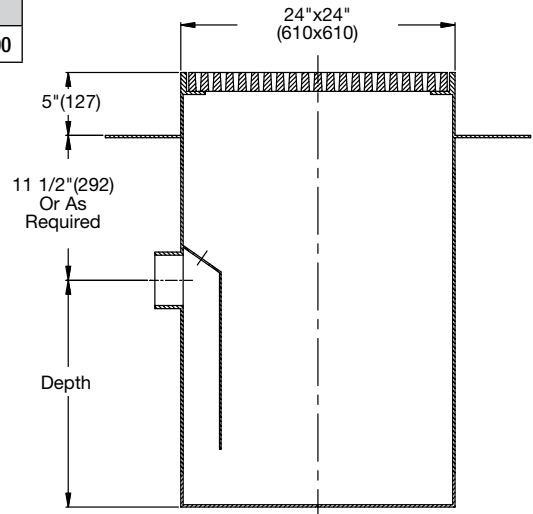
Options for FD-390-E, FD-390-E-63 Series

Suffix	Description	List Price	Suffix	Description	List Price
-None	No Hub	No Add	-F4-1	4" Round Nickel Bronze Funnel	\$693.00
-6	Vandal Proof	\$88.50	-F6-1	6" Round Nickel Bronze Funnel	1,013.00
-60	PVC Body w/Socket Outlet	No Add	-G-50	4x9" Oval Cast Iron Funnel	685.50
-61	ABS Body w/Socket Outlet	No Add	-G-1	4X9" Oval Nickel Bronze Funnel	1,414.00
-F4-50	4" Round Cast Iron Funnel	291.00			

FD-410

Large Capacity Bottom Outlet Offset Parking Area Drain

Model Number	Weight (lbs.)	Grate Size	Outlet Size	Grate	List Price
FD-413,4,6 (A,B,C,D,E)	800	20x20 1/2"	3,4,6"	cast iron	\$16,062.00



Options for FD-410 Series

Suffix	Description	List Price
-6	Vandal Proof	\$313.00
-Q	Special Dimension	P.O.A.
-SI	Side Inlet Connection	1,002.00
-ST	Solid Top	No Add
-T	Threaded Outlet	432.00

Consult factory for all applications outside of listed parameters.

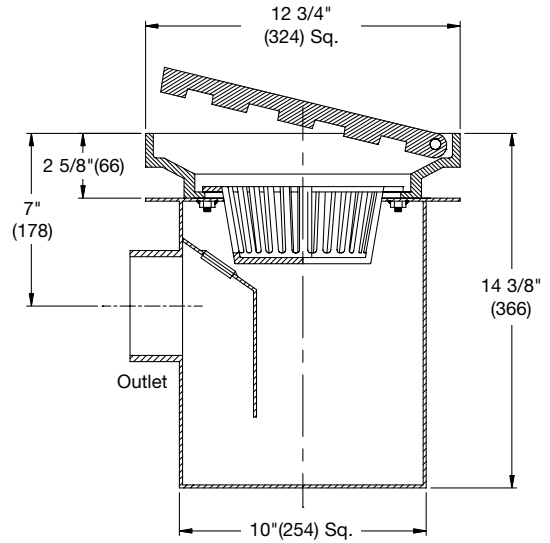
Prices do not include applicable taxes.



Area Drains

FD-430 Side Outlet Area Drain with Hinged Grate

Model Number	Weight (lbs.)	Grate Size	Outlet Size	Grate	List Price
FD-432,3,4	63	12 1/2" Sq.	2,3,4"	ductile iron	\$3,539.00
FD-432,3,4-1	63	12 1/2" Sq.	2,3,4"	nickel bronze	5,297.00



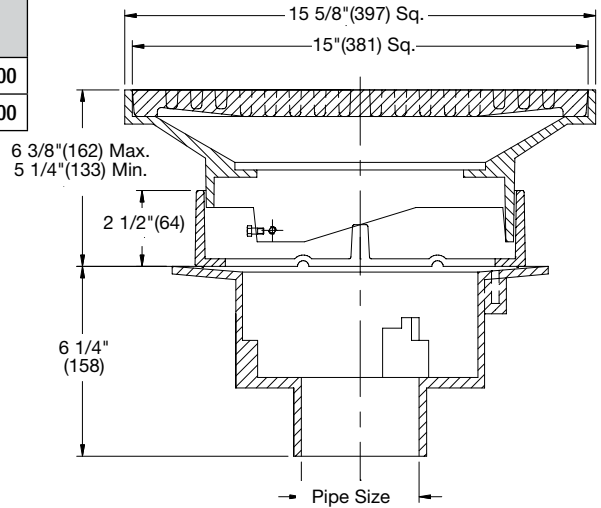
Options for FD-430 Series

Suffix	Description	List Price
-6	Vandal Proof	\$239.00
-T	Threaded Outlet	432.00

FD-450 Area Drain with 15" x 15" Adjustable Top



Model Number	Weight (lbs.)	Grate Size	Outlet Size	Grate	List Price
FD-452,3,4,5,6,8	120	15" (381) Sq.	2,3,4,5,6,8"	ductile iron	\$4,667.00
FD-452,3,4,5,6,8-1	120	15 1/2" (394) Sq.	2,3,4,5,6,8"	nickel bronze	7,471.00



Options for FD-450, FD-450-F Series:

Suffix	Description	List Price	Suffix	Description	List Price
None	No Hub	No Add	-34	Closure Plug	\$197.50
P	Push-On (2,3,4,6" Only)	No Add	-60	PVC Body w/Socket Outlet (2,3,4,6" Only)	No Add
T	Threaded Outlet (2,3,4,6" Only)	\$131.50	-61	ABS Body w/Socket Outlet (2,3,4" Only)	No Add
X	Inside Caulk Outlet (2,3,4,6" Only)	No Add	-F4-50	4" Round Cast Iron Funnel	291.00
-5	Sediment Bucket	416.00	-F4-1	4" Round Nickel Bronze Funnel	693.00
-6	Vandal Proof	239.00	-F6-1	6" Round Nickel Bronze Funnel	1,013.00
-7	Trap Primer Tapping	245.00	-G-50	4x9" Oval Cast Iron Funnel	685.50
-8	Ball Float Backwater Valve (2,3,4" only)	611.50	-G-1	4x9" Oval Nickel Bronze Funnel	1,414.00
-9	Hinged Grate	443.50	-S0	Side Outlet	545.00
-13	All Galvanized (unless other top specified)	3,175.00			
-21	Secondary Strainer	110.50			

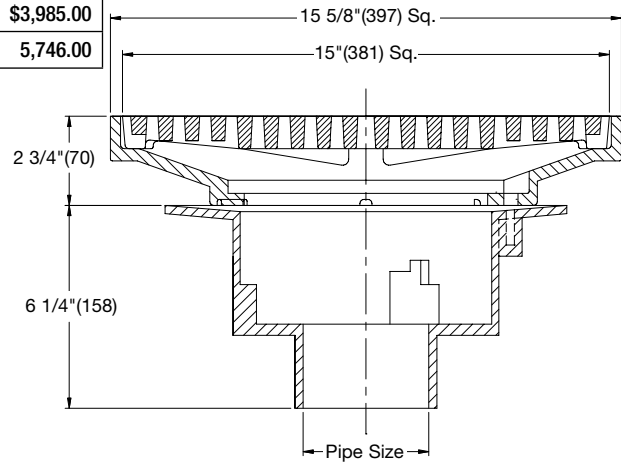
Area Drains

FD-450-F

Area Drain with 15" x 15" Fixed Top



Model Number	Weight (lbs.)	Grate Size	Outlet Size	Grate	List Price
FD-452,3,4,5,6,8-F	120	15"(381) Sq.	2,3,4,5,6,8"	ductile iron	\$3,985.00
FD-452,3,4,5,6,8-1-F	120	15 1/2"(394) Sq.	2,3,4,5,6,8"	nickel bronze	5,746.00

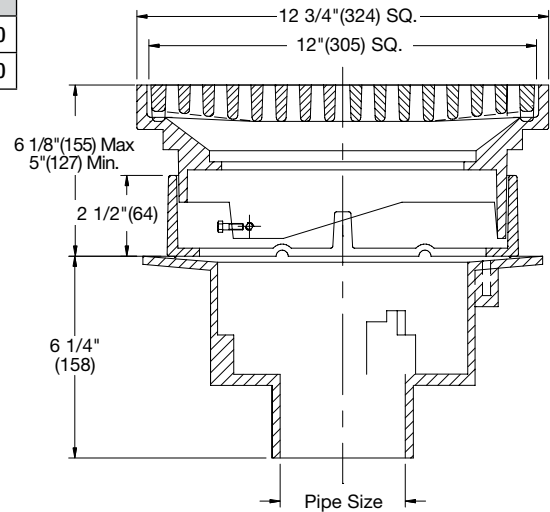


FD-460

Area Drain with 12" Square Adjustable Top



Model Number	Weight (lbs.)	Grate Size	Outlet Size	Grate	List Price
FD-462,3,4,5,6,8	70	12"(305)	2,3,4,5,6,8"	ductile iron	\$3,091.00
FD-462,3,4,5,6,8-1	70	12 1/2"(318).	2,3,4,5,6,8"	nickel bronze	7,722.00



Options for FD-450, FD-450-F Series:

Suffix	Description	List Price	Suffix	Description	List Price
None	No Hub	No Add	-34	Closure Plug	\$197.50
P	Push-On (2,3,4,6" Only)	No Add	-60	PVC Body w/Socket Outlet (2,3,4,6" Only)	No Add
T	Threaded Outlet (2,3,4,6" Only)	\$131.50	-61	ABS Body w/Socket Outlet (2,3,4" Only)	No Add
X	Inside Caulk Outlet (2,3,4,6" Only)	No Add	-F4-50	4" Round Cast Iron Funnel	291.00
-5	Sediment Bucket	416.00	-F4-1	4" Round Nickel Bronze Funnel	693.00
-6	Vandal Proof	239.00	-F6-1	6" Round Nickel Bronze Funnel	1,013.00
-7	Trap Primer Tapping	245.00	-G-50	4x9" Oval Cast Iron Funnel	685.50
-8	Ball Float Backwater Valve (2,3,4" only)	611.50	-G-1	4x9" Oval Nickel Bronze Funnel	1,414.00
-9	Hinged Grate	443.50	-S0	Side Outlet	545.00
-13	All Galvanized (unless other top specified)	3,175.00			
-21	Secondary Strainer	110.50			

Consult factory for all applications outside of listed parameters.

Prices do not include applicable taxes.



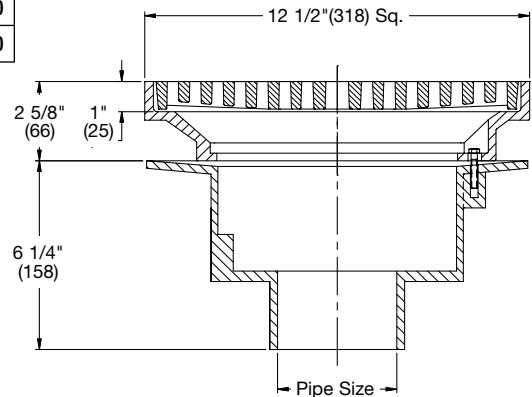
Area Drains

FD-460-F

Area Drain with 12" Square Fixed Top



Model Number	Weight (lbs.)	Grate Size	Outlet Size	Grate	List Price
FD-462,3,4,5,6,8-F	85	12"(305) Sq.	2,3,4,5,6,8"	ductile iron	\$2,412.00
FD-462,3,4,5,6,8-F-1	85	12 1/2"(318) Sq.	2,3,4,5,6,8"	nickel bronze	4,491.00



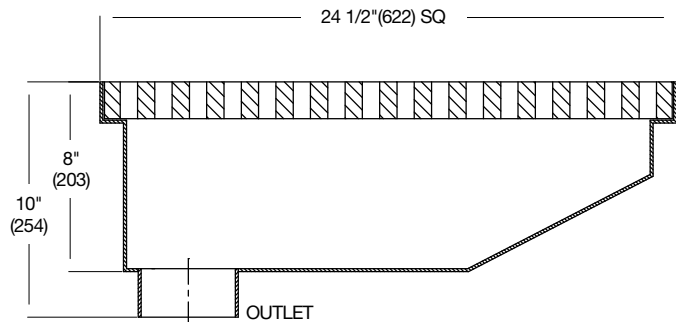
Options for FD-460, 460-F Series:

Suffix	Description	List Price	Suffix	Description	List Price
None	No Hub	No Add	-34	Closure Plug	\$197.50
P	Push-On (2,3,4,6" Only)	No Add	-60	PVC Body w/Socket Outlet (2,3,4,6" Only)	No Add
T	Threaded Outlet (2,3,4,6" Only)	\$131.50	-61	ABS Body w/Socket Outlet (2,3,4" Only)	No Add
X	Inside Caulk Outlet (2,3,4,6" Only)	No Add	-F4-50	4" Round Cast Iron Funnel	291.00
-5	Sediment Bucket	416.00	-F4-1	4" Round Nickel Bronze Funnel	693.00
-6	Vandal Proof	239.00	-F6-1	6" Round Nickel Bronze Funnel	1,013.00
-7	Trap Primer Tapping	245.00	-G-50	4x9" Oval Cast Iron Funnel	685.50
-8	Ball Float Backwater Valve (2,3,4" only)	611.50	-G-1	4x9" Oval Nickel Bronze Funnel	1,414.00
-9	Hinged Grate	443.50	-S0	Side Outlet (2,3,4" Only)	545.00
-13	All Galvanized (unless other top specified)	1,438.00			
-21	Secondary Strainer	110.50			

FD-530

Large Capacity Bottom Outlet Offset Parking Area Drain

Model Number	Weight (lbs.)	Grate Size	Outlet Size	Grate	List Price
FD-533,4,6,8	400	24" Sq.	3,4,6,8" NH	ductile iron	\$9,873.00



Options for FD-530 Series

Suffix	Description	List Price
-5	Sediment Bucket	\$1,382.00
-6	Vandal Proof Grate	740.50
-38	Solids Retaining Baffle	939.50
-C	Membrane Clamp	1,772.00
-T	Threaded Outlet	432.00



Consult factory for all applications outside of listed parameters.
Prices do not include applicable taxes.

Isolation Drains

FD-600

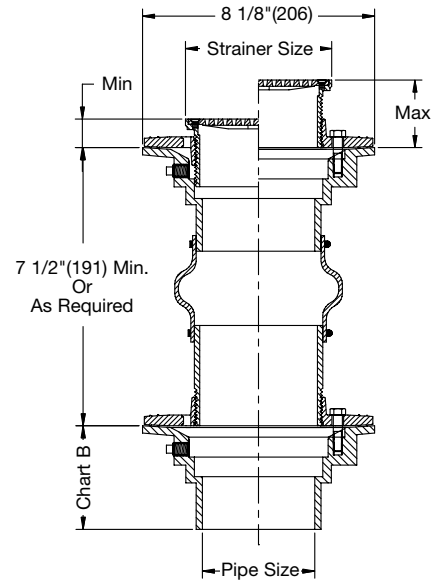
Isolation Floor Drain

Model Number	Weight (lbs.)	Strainer Size	Pipe Size	Strainer	List Price
FD-602, 3, 4-A5	17	5"	2,3,4"	nickel bronze	\$2,144.00
FD-602, 3, 4-A6	17.5	6"	2,3,4"	nickel bronze	2,317.00
FD-602, 3, 4-A8	23	8"	2,3,4"	nickel bronze	2,741.00



Chart A		
Str. Dia.	Min.	Max.
5"	13/16"	3 1/4"
6"	7/8"	3 3/8"
8"	7/8"	3 3/4"

Chart B					
Pipe Size	No Hub	Push On	Female Thread	Inside Caulk	PVC/ABS
2"	3 5/8"	3 5/8"	4 1/4"	4 1/4"	3 3/4"
3"	3 5/8"	4"	4 1/4"	4 1/4"	3 5/8"
4"	3 5/8"	4"	4 1/4"	4 1/4"	3 7/8"



See FD-100 Options on page 17.

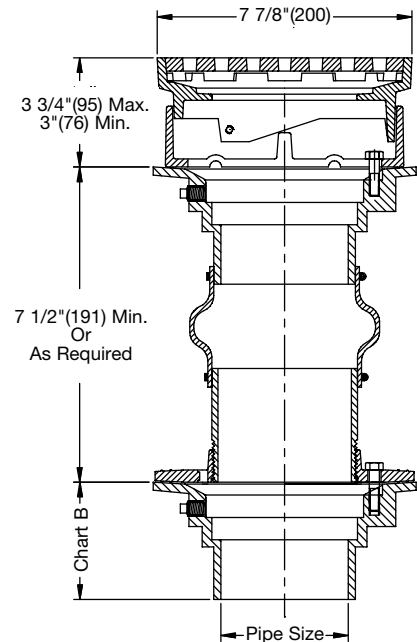
FD-620

Isolation Area Drain

Model Number	Weight (lbs.)	Str. Size	Pipe Size	Strainer	List Price
FD-622, 3, 4	25	8"	2, 3, 4"	ductile iron	\$2,726.00
FD-622, 3, 4-1	25	8"	2, 3, 4"	nickel bronze	3,600.00



Chart B					
Pipe Size	No Hub	Push On	Female Thread	Inside Caulk	PVC/ABS
2"	3 5/8"	3 5/8"	4 1/4"	4 1/4"	3 3/4"
3"	3 5/8"	4"	4 1/4"	4 1/4"	3 5/8"
4"	3 5/8"	4"	4 1/4"	4 1/4"	3 7/8"



See FD-320 Options on page 40.

Consult factory for all applications outside of listed parameters.

Prices do not include applicable taxes.

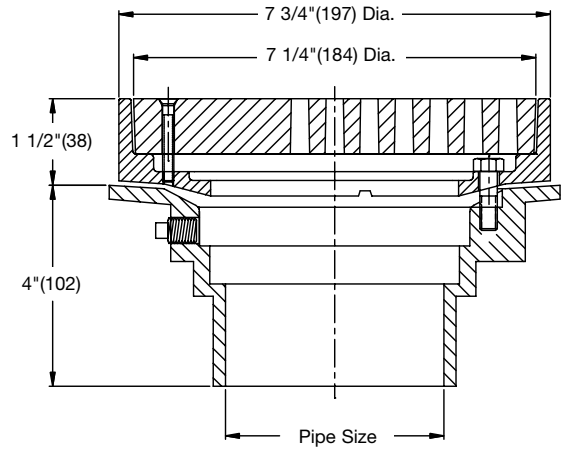


Area Drains

FD-660

PVC Area Drain with 7" Fixed Top

Model Number	Weight (lbs.)	Str. Size	Pipe Size	Strainer	List Price
FD-662, 3, 4	7	7"	2,3,4"	PVC	\$825.00



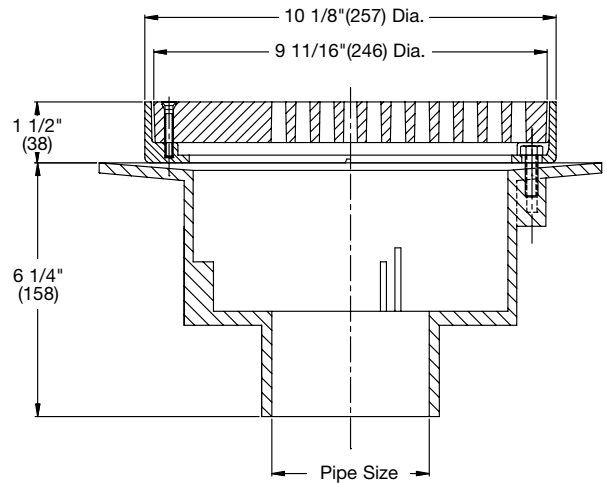
Options for FD-660 Series:

Suffix	Description	List Price	Suffix	Description	List Price
-5	Sediment Bucket	\$225.00	-F4-50	4" Round CI Funnel	\$291.00
-6	Vandal Proof	No Add	-F4-1	4" Round NB Funnel	693.00
-7	Trap Primer Tapping	No Add	-F6-1	6" Round NB Funnel	1,013.00
-34	Closure Plug	197.50	-G-50	4x9" Oval CI Funnel	685.50
-61	ABS Body w/Socket Outlet (2, 3, 4" only)	No Add	-G-1	4x9" Oval NB Funnel	1,414.00
-150	1/2 Grate	No Add			

FD-670

PVC Area Drain with 10" Fixed Top

Model Number	Weight (lbs.)	Str. Size	Pipe Size	Strainer	List Price
FD-672, 3, 4	8	10"	2,3,4"	PVC	\$1,378.00



Options for FD- 670 Series:

Suffix	Description	List Price	Suffix	Description	List Price
-5	Sediment Bucket	\$334.50	-F4-1	4" Round NB Funnel	\$693.00
-6	Vandal Proof	No Add	-F6-1	6" Round NB Funnel	1,013.00
-34	Closure Plug	197.50	-G-50	4x9" Oval Cast Iron Funnel	685.50
-61	ABS Body w/Socket Outlet (2, 3, 4" Only)	No Add	-G-1	4x9" Oval Funnel	1,414.00
-150	1/2 Grate	No Add			
-F4-50	4" Round CI Funnel	291.00			



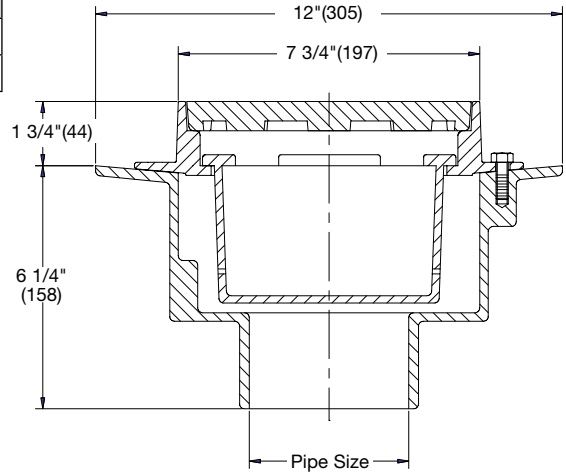
Consult factory for all applications outside of listed parameters.
Prices do not include applicable taxes.

Specialty Floor Drains

FD-810

Iowa Garage Drain

Model Number	Weight (lbs.)	Str. Size	Pipe Size	Strainer	List Price
FD-812, 3, 4, 5, 6, 8	14	8"	2, 3, 4, 5, 6, 8"	ductile iron	\$1,966.00
FD-812, 3, 4, 5, 6, 8-1	15	8"	2, 3, 4, 5, 6, 8"	nickel bronze	2,839.00



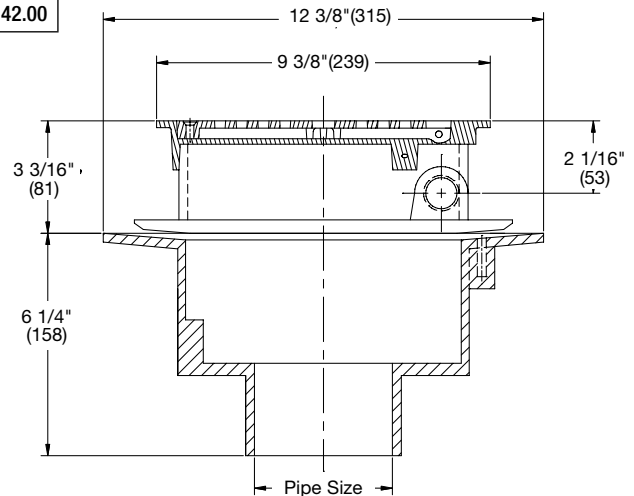
Options for FD-810 Series

Suffix	Description	List Price
None	No Hub	No Add
P	Push-On Outlet (2,3,4,6" only)	No Add.
T	Threaded Outlet (2,3,4,6" only)	\$131.50
X	Inside Caulk Outlet (2,3,4,6" only)X	No Add
-6	Vandal Proof	239.00
-7	Trap Primer Tapping	245.00
-60	PVC Body w/Socket Outlet (2,3,4,6" only)	No Add
-61	ABS Body w/Socket Outlet (2,3,4" only)	No Add

FD-820

Flushing Rim Floor Drain

Model Number	Weight (lbs.)	Str. Size	Pipe Size	Strainer	List Price
FD-822, 3, 4	30	9 1/2"	2, 3, 4"	nickel bronze	\$4,142.00



Options for FD-820 Series

Suffix	Description	List Price
None	No Hub	No Add
P	Push-On Outlet (2,3,4,6" only)	No Add.
T	Threaded Outlet (2,3,4,6" only)	\$131.50
X	Inside Caulk Outlet (2,3,4,6" only)	No Add
-5	Sediment Bucket	416.00
-6	Vandal Proof	239.00

Consult factory for all applications outside of listed parameters.

Prices do not include applicable taxes.

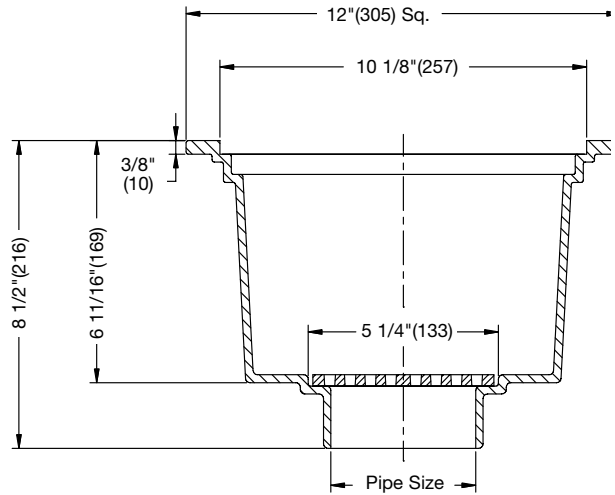


Specialty Floor Drains

FD-830

Hopper Drain

Model Number	Weight (lbs.)	Str. Size	Pipe Size	Material	List Price
FD-832, 3, 4	27	5 1/4"	2,3,4"	cast iron	\$1,301.00



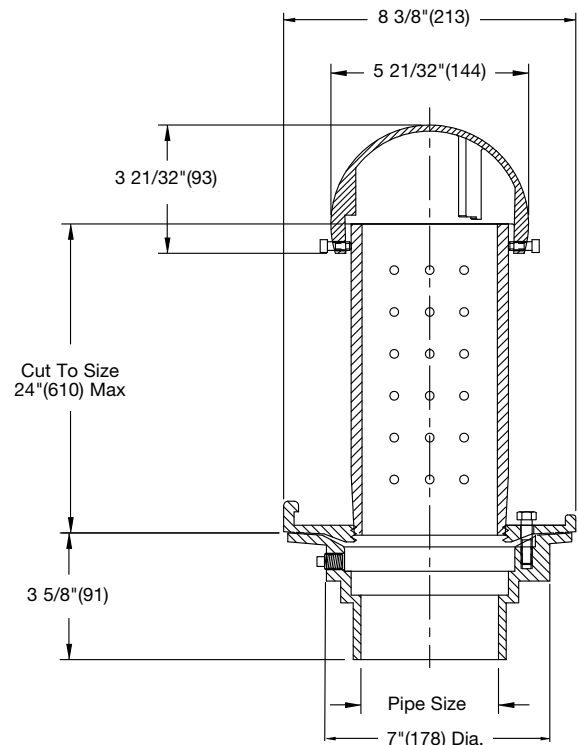
Options for FD-830 Series

Suffix	Description	List Price
-1	Nickel Bronze Top	\$646.00
-5	Sediment Bucket	388.00
-7	Trap Primer Tapping	245.00
-TG	Top Grate - Ductile Iron	316.00

FD-850

Planting Area Drain with Dome Cap

Model Number	Weight (lbs.)	Str. Type	Pipe Size	List Price
FD-852, 3, 4	11	Domed Standpipe	2,3,4"	\$2,047.00



Options for FD-850 Series

Suffix	Description	List Price
P	Push On	No Add
-13	All Galvanized (unless other top specified)	\$634.00
-60	PVC Body w/Socket Outlet	No Add
-61	ABS Body w/Socket Outlet	No Add
-B	Sump Receiver	416.00
-D	Underdeck Clamp	241.50
-F	Deck Flange/Adj. Extension	808.50
-SO	Side Outlet	355.00
-T	Threaded Outlet	131.50



Consult factory for all applications outside of listed parameters.
Prices do not include applicable taxes.

Specialty Floor Drains

FD-860

Planting Area Drain with Screened Dome



Model Number	Weight (lbs.)	Str. Size	Pipe Size	Strainer	List Price
FD-862, 3, 4	25	8 1/2" Dome	2,3,4"	alum. w/SS mesh	\$1,508.00

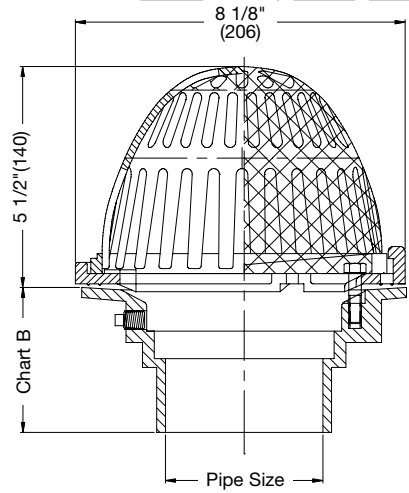


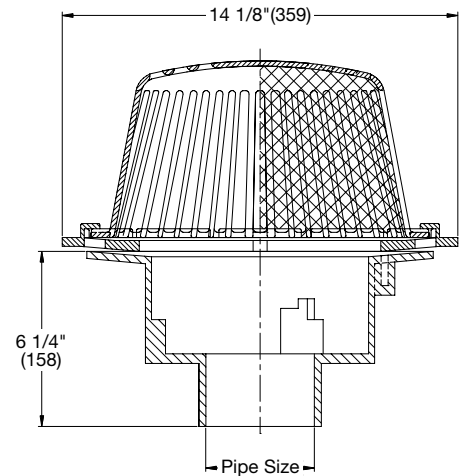
Chart B					
Pipe Size	No Hub	Push On	Female Thread	Inside Caulk	PVC/ABS
2"	3 5/8"	3 5/8"	4 1/4"	4 1/4"	2 3/4"
3"	3 5/8"	4"	4 1/4"	4 1/4"	3 5/8"
4"	3 5/8"	4"	4 1/4"	4 1/4"	3 7/8"
6"	3 1/2"	-	-	-	-

FD-870

Large Planting Area Drain with Screened Dome



Model Number	Weight (lbs.)	Str. Size	Pipe Size	Dome	List Price
FD-872, 3, 4, 6	50	8 1/2" Dome	2,3,4"	alum. w/SS mesh	\$1,766.00



Options for FD-860/870 Series:

Suffix	Description	List Price	Suffix	Description	List Price
None	No Hub	No Add	-13	Galvanized Body and Clamp	\$634.00
P	Push-On Outlet	No Add	-60	PVC Body w/Socket Outlet (2,3,4,6" only)	No Add
T	Threaded Outlet	\$131.50	-61	ABS Body w/Socket Outlet (2,3,4" only)	No Add
X	Inside Caulk Outlet	No Add	-81	Bronze Dome	1,186.00
-6	Vandal Proof Dome	186.50	-S0	Side Outlet	545.00

Consult factory for all applications outside of listed parameters.
Prices do not include applicable taxes.

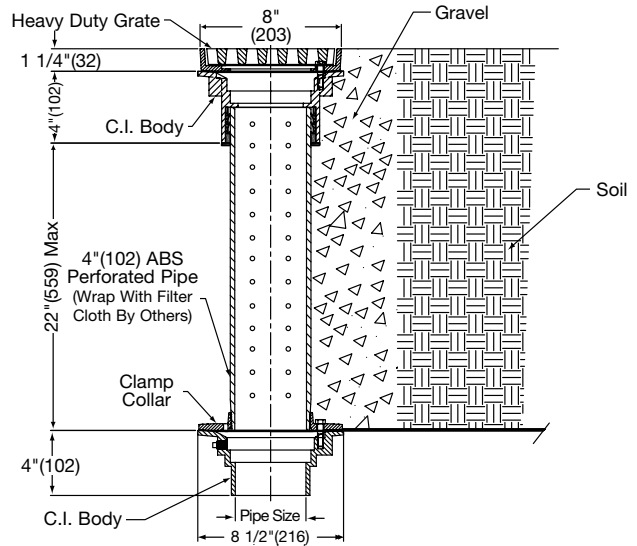


Specialty Floor Drains

FD-880

Ground Water Containment Drain

Model Number	Weight (lbs.)	Str. Size	Pipe Size	Strainer	List Price
FD-882, 3, 4,	34	8"	2,3,4"	ductile iron	\$2,435.00
FD-882, 3, 4-1	34	8"	2, 3, 4"	nickel bronze	3,309.00



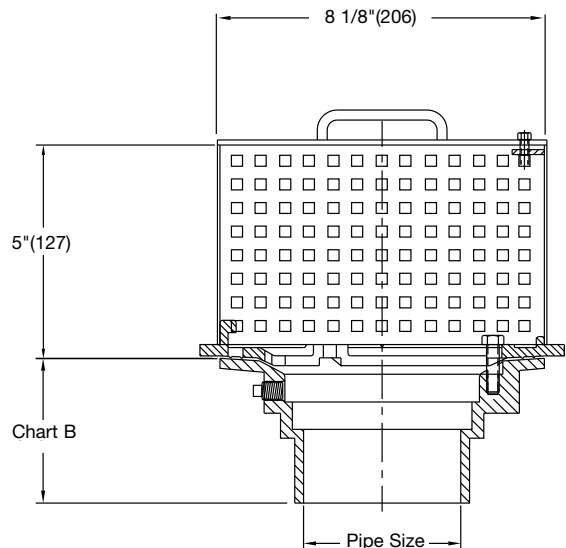
Options for FD-880 Series:

Suffix	Description	List Price	Suffix	Description	List Price
None	No Hub	No Add	-6	Vandal Proof	\$239.00
P	Push-On Outlet	No Add	-7	Trap Primer Tapping	No Add
T	Threaded Outlet	\$131.50	-21	Secondary Strainer	110.50
X	Inside Caulk Outlet	No Add	-S0	Side Outlet (2,3,4" only)	355.00
-5	Sediment Bucket	225.00			

FD-890

Planter Drain with Removable Cover

Model Number	Weight (lbs.)	Pipe Size	Cover	List Price
FD-892, 3, 4,	14	2,3,4"	Stainless Steel	\$2,270.00



Options for FD-890 Series

Suffix	Description	List Price
None	No Hub Outlet	No Add
P	Push-On Outlet	No Add
T	Threaded Outlet	\$131.50
X	Inside Caulk	No Add
-13	Galvanized Body and Clamp	319.00
-S0	Side Outlet	355.00



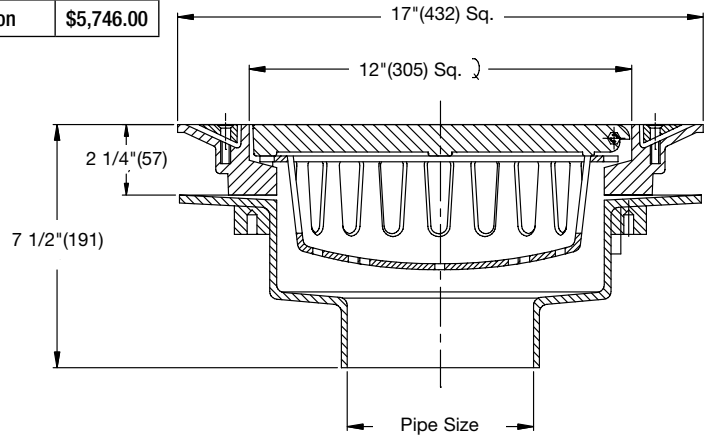
Consult factory for all applications outside of listed parameters. Prices do not include applicable taxes.

Parking Deck Drains

FD-490-F-4

Parking Structure Drain with Heavy Duty Grate and Bucket

Model Number	Weight (lbs.)	Grate Size	Outlet Size	Grate	List Price
FD-493,4,5,6,8,10-F-4	112	12" Sq.	3,4,5,6,8,10"	ductile iron	\$5,746.00



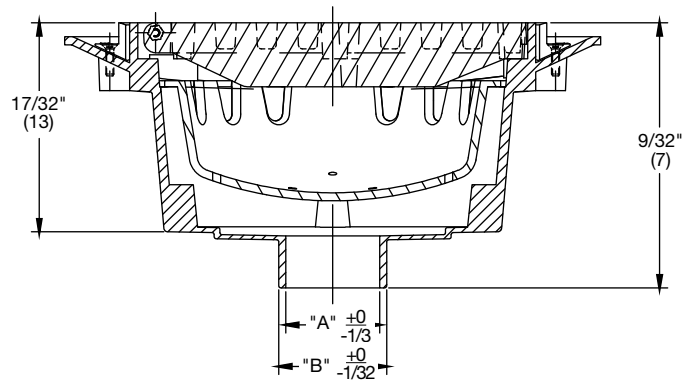
Option for FD-490 Series:

Suffix	Description	List Price
P	Push On	No Add
X	Inside Caulk	No Add
-6	Vandal Proof	\$239.00
-13	Galvanized	1,635.00

FD-490-F-80

Aluminum Parking Structure Drain with Heavy Duty Grate and Bucket

Model Number	Weight (lbs.)	Grate Size	Outlet Size	Grate	List Price
FD-493, 4, 6, 8, -F-80	112	12" Sq.	3,4,6,8,"	aluminum	\$5,864.00



Option for FD-490 Series:

Suffix	Description	List Price
-6	Vandal Proof	\$251.00
-13	Galvanized	1,717.00

Consult factory for all applications outside of listed parameters.

Prices do not include applicable taxes.

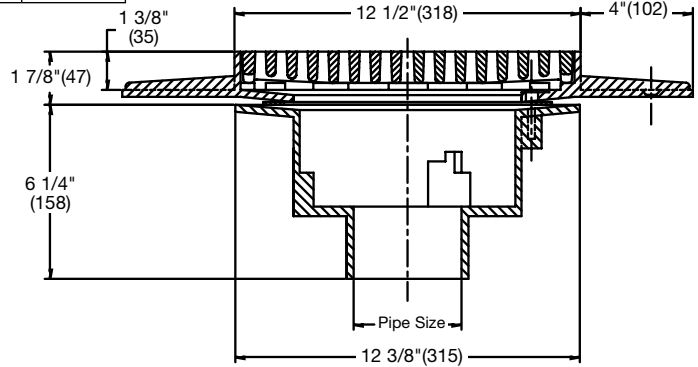


Parking Deck Drains

FD-900

Parking Deck Drain for Precast Slabs

Model Number	Weight (lbs.)	Cover Size	Pipe Size	Grate	List Price
FD-902, 3, 4, 5, 6, 8	62	12"	2, 3, 4, 5, 6, 8"	ductile iron	\$3,774.00



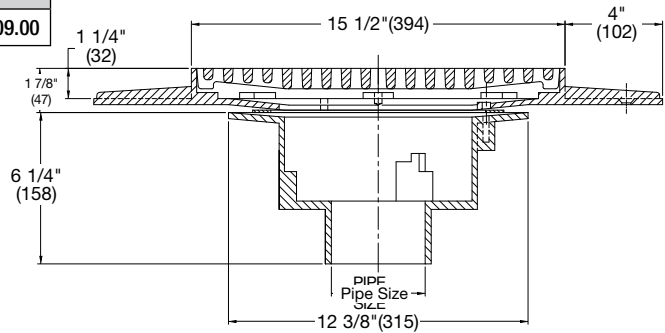
Options for FD-900/910 Series:

Suffix	Description	List Price
None	No Hub	No Add
P	Push-On Outlet (2, 3, 4, 6" only)	No Add
T	Threaded Outlet (2, 3, 4, 6" only)	\$131.50
X	Inside Caulk Outlet (2, 3, 4, 6" only)	No Add
-5	Sediment Bucket	306.50
-6	Vandal Proof	227.50
-13	Galvanized	1,635.00
D	Underdeck Clamp	391.00

FD-910

Parking Deck Drain For Precast Slabs

Model Number	Weight (lbs.)	Cover Size	Pipe Size	Grate	List Price
FD-912, 3, 4, 5, 6, 8	76	15"	2, 3, 4, 5, 6, 8,"	ductile iron	\$4,709.00



Options for FD-900/910 Series:

Suffix	Description	List Price
None	No Hub	No Add
P	Push-On Outlet (2, 3, 4, 6" only)	No Add
T	Threaded Outlet (2, 3, 4, 6" only)	\$131.50
X	Inside Caulk Outlet (2, 3, 4, 6" only)	No Add
-5	Sediment Bucket	306.50
-6	Vandal Proof	239.00
-13	Galvanized	1,635.00
D	Underdeck Clamp	391.00



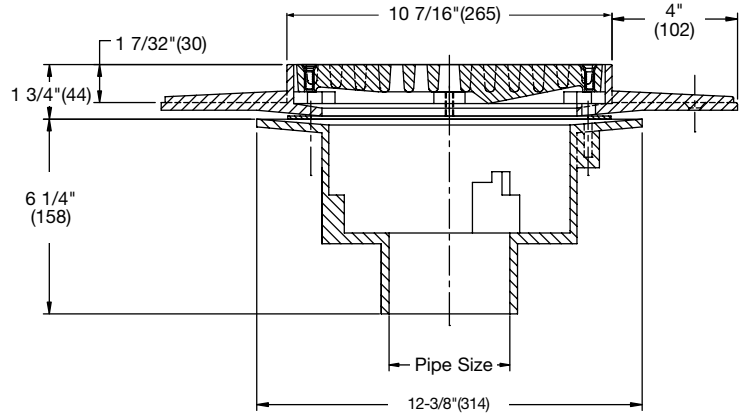
Consult factory for all applications outside of listed parameters.
Prices do not include applicable taxes.

Parking Deck Drains

FD-920

Parking Deck Drain For Precast Slabs

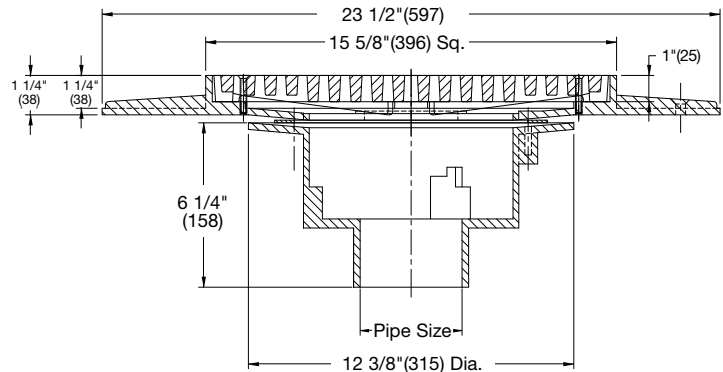
Model Number	Weight (lbs.)	Cover Size	Pipe Size	Grate	List Price
FD-922, 3, 4, 5, 6, 8	48	10"	2, 3, 4, 5, 6, 8,"	ductile iron	\$1,817.00



FD-930

Parking Deck Drain For Precast Slabs

Model Number	Weight (lbs.)	Cover Size	Pipe Size	Grate	List Price
FD-932, 3, 4, 5, 6, 8	85	15" Sq.	2, 3, 4, 5, 6, 8,"	ductile iron	\$4,948.00



Options for FD-930 Series:

Suffix	Description	List Price
None	No Hub	No Add
P	Push-On Outlet (2, 3, 4, 6" only)	No Add
T	Threaded Outlet (2, 3, 4, 6" only)	\$131.50
X	Inside Caulk Outlet (2, 3, 4, 6" only)	No Add
-5	Sediment Bucket	306.50
-6	Vandal Proof	239.00
-13	Galvanized	1,635.00
D	Underdeck Clamp	391.00

Consult factory for all applications outside of listed parameters.

Prices do not include applicable taxes.



Floor Drains with Stainless Steel Strainers

FD-1100-A Floor Drain with Round Stainless Steel Strainer



Model Number	Weight (lbs.)	Str. Size	Pipe Size	Strainer	List Price
FD-1102,3,4-A5	11	5"	2,3,4"	stainless steel	\$1,159.00
FD-1102,3,4-A6	12.5	6"	2,3,4"	stainless steel	1,400.00
FD-1102,3,4-A8	16	8"	2,3,4"	stainless steel	1,920.00

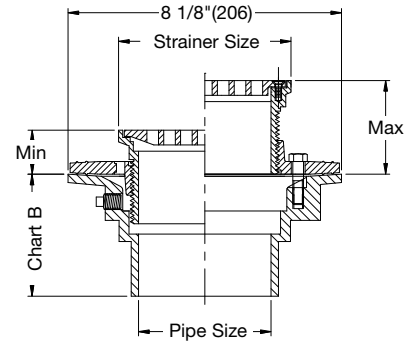


Chart A		
Strainer	Min.	Max.
5"	13/16"	3 1/4"
6"	7/8"	3 3/8"
8"	7/8"	3 1/4"

Chart B					
Pipe Size	No Hub	Push On	Female Thread	Inside Caulk	PVC/ABS
2"	3 5/8"	4 1/4"	4 1/4"	4 1/2"	4"
3"	3 5/8"	4 1/4"	4 1/4"	4 1/2"	4"
4"	3 5/8"	4 1/4"	4 1/4"	4 1/2"	4"
6"	3 1/2"	-	-	-	-

FD-1100-A-LR Floor Drain with Ligature Resistant Round Strainer

Model Number	Weight (lbs.)	Str. Size	Pipe Size	Strainer	List Price
FD-1102, 3, 4-A5-LR	11	5"	2,3,4"	stainless steel	\$3,766.00
FD-1102, 3, 4-A6-LR	12.5	6"	2,3,4"	stainless steel	4,068.00
FD-1102, 3, 4-A8-LR	16	8"	2,3,4"	stainless steel	5,870.00

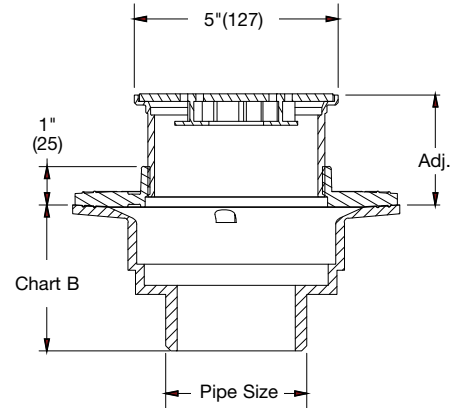


Chart A		
Strainer	Min.	Max.
5"	13/16"	2 1/2"
6"	7/8"	2 3/4"
8"	7/8"	3 1/4"

Chart B					
Pipe Size	No Hub	Push On	Female Thread	Inside Caulk	PVC/ABS
2"(51)	3 5/8"(92)	4 1/4"(108)	4 1/4"(108)	4 1/2"(114)	4"(102)
3"(76)	3 5/8"(92)	4 1/4"(108)	4 1/4"(108)	4 1/2"(114)	4"(102)
4"(102)	3 5/8"(92)	4 1/4"(108)	4 1/4"(108)	4 1/2"(114)	4"(102)
6"(152)	3 1/2"(89)	-	-	-	-

Options for FD-1100-A / FD-1100-A-LR Series:

Suffix	Description	List Price	Suffix	Description	List Price
None	No Hub Outlet	No Add	-60	PVC Body w/Socket Outlet (2,3,4" only)	No Add
P	Push-On Outlet	No Add	-61	ABS Body w/Socket Outlet (2,3,4" only)	No Add
T	Threaded Outlet	\$131.50	-F4-3	4" Round SS Funnel (FD-1100-A Only)	\$886.00
X	Inside Caulk	No Add	-F4-50	4" Round Cast Iron Funnel (FD-1100-A Only)	291.00
None	6" Outlet No Hub Only	196.00	-F4-1	4" Round Nickel Bronze Funnel (FD-1100-A Only)	693.00
-5	Sediment Bucket	176.00	-F6-1	6" Round Nickel Bronze Funnel (FD-1100-A Only)	1,013.00
-6	Vandal Proof	88.50	-G-50	4x9" Oval Cast Iron Funnel (FD-1100-A Only)	685.50
-7	Trap Primer Tapping	No Add	-G-1	4x9" Oval Nickel Bronze Funnel (FD-1100-A Only)	1,414.00
-8	Ball Float Backwater Valve (2,3,4" only)	611.50	-SO	Side Outlet (2,3,4" only)	355.00
-13	Galvanized Body	314.00			
-15	Strainer Extension (DD-50)	229.50			
-28	304 SS Body and Collar (No Hub Only)	1,475.00			

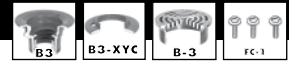


Consult factory for all applications outside of listed parameters.
Prices do not include applicable taxes.

Adjustable Floor Drains with Stainless Steel Strainers

FD-1100-B

Floor Drain with Heavy Duty Round Stainless Steel Strainer



Model Number	Weight (lbs.)	Str. Size	Pipe Size	Strainer	List Price
FD-1102,3,4-B5	11	5"	2,3,4"	stainless steel	\$1,315.00
FD-1102,3,4-B6	12.5	6"	2,3,4"	stainless steel	1,562.00
FD-1102,3,4-B8	16	8"	2,3,4"	stainless steel	1,920.00

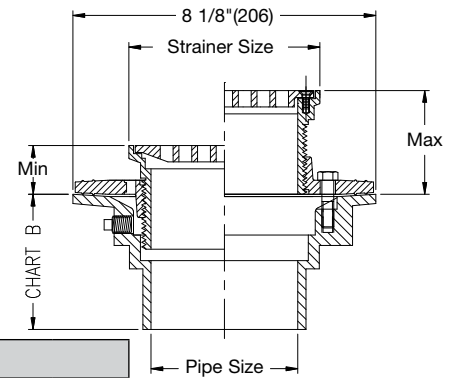


Chart A		
Strainer	Min.	Max.
5"	13/16"	2 1/2"
6"	7/8"	2 3/4"
8"	7/8"	3 1/4"

Chart B					
Pipe Size	No Hub	Push On	Female Thread	Inside Caulk	PVC/ABS
2"	3 5/8"	3 5/8"	4 1/4"	4 1/4"	2 3/4"
3"	3 5/8"	4"	4 1/4"	4 1/4"	3 5/8"
4"	3 5/8"	4"	4 1/4"	4 1/4"	3 7/8"
6"	3 1/2"	-	-	-	-

FD-1100-ER

Floor Drain with Stainless Steel Extended Rim Strainer

Model Number	Weight (lbs.)	Str. Size	Pipe Size	Strainer	List Price
FD-1102,3,4-ER7	11	7"	2,3,4"	stainless steel	\$2,075.00

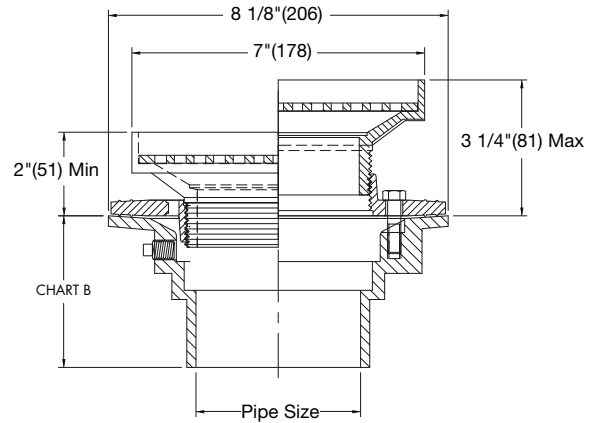


Chart B			
Pipe Size	No Hub	Push On	PVC/ABS
2"	4 3/4"	5 1/2"	4"
3"	4 3/4"	5 1/2"	4"
4"	4 3/4"	5 1/2"	4"

Options for FD-1100 Series:

Suffix	Description	List Price	Suffix	Description	List Price
None	No Hub Outlet	No Add	-60	PVC Body w/Socket Outlet (2,3,4" only)	No Add
P	Push-On Outlet	No Add	-61	ABS Body w/Socket Outlet (2,3,4" only)	No Add
T	Threaded Outlet	\$131.50	-F4-3	4" Round SS Funnel	\$886.00
X	Inside Caulk	No Add	-F4-50	4" Round Cast Iron Funnel	291.00
None	6" Outlet No Hub Only	196.00	-F4-1	4" Round Nickel Bronze Funnel	693.00
-5	Sediment Bucket	176.00	-F6-1	6" Round Nickel Bronze Funnel	1,013.00
-6	Vandal Proof	88.50	-G-50	4x9" Oval Cast Iron Funnel	685.50
-7	Trap Primer Tapping	No Add	-G-1	4x9" Oval Nickel Bronze Funnel	1,414.00
-8	Ball Float Backwater Valve (2,3,4" only)	611.50	-SO	Side Outlet (2,3,4" only)	355.00
-13	Galvanized Body	314.00			
-15	Strainer Extension (DD-50)	229.50			
-28	304 SS Body and Collar (No Hub Only)	1,475.00			

Consult factory for all applications outside of listed parameters.

Prices do not include applicable taxes.



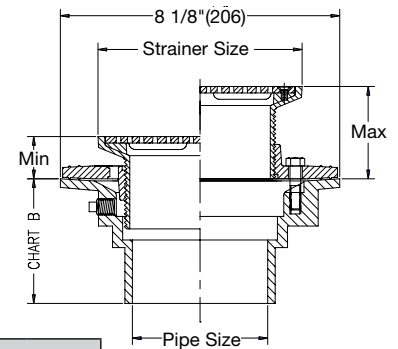
Adjustable Floor Drains with Stainless Steel Strainers

FD-1100-L

Floor Drain with Heavy Duty Square Stainless Steel Strainer



Model Number	Weight (lbs.)	Str. Size	Pipe Size	Strainer	List Price
FD-1102,3,4-L5	10	5"x5"	2,3,4"	stainless steel	\$1,414.00
FD-1102,3,4-L6	14	6"x6"	2,3,4"	stainless steel	1,713.00
FD-1102,3,4-L8	16	8"x8"	2,3,4"	stainless steel	2,192.00



Strainer	Min.	Max.
5"x5"	7/8"	3 1/4"
6"x6"	1"	3 1/4"
8"x8"	1 3/8"	3 5/8"

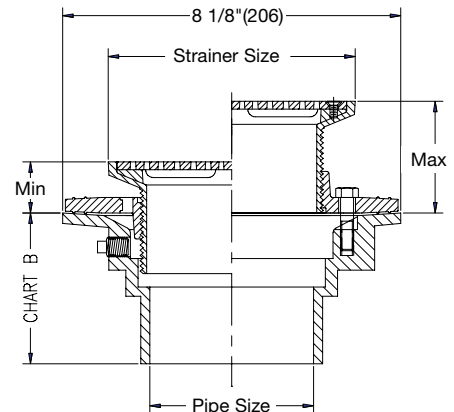
Pipe Size	No Hub	Push On	Female Thread	Inside Caulk	PVC/ABS
2"	3 5/8"	3 5/8"	4 1/4"	4 1/4"	2 3/4"
3"	3 5/8"	4"	4 1/4"	4 1/4"	3 5/8"
4"	3 5/8"	4"	4 1/4"	4 1/4"	3 7/8"
6"	3 1/2"	-	-	-	-

FD-1100-M

Floor Drain with Square Stainless Steel Strainer



Model Number	Weight (lbs.)	Str. Size	Pipe Size	Strainer	List Price
FD-1102,3,4-M5	11	5"x5"	2,3,4"	stainless steel	\$1,278.00
FD-1102,3,4-M6	12.5	6"x6"	2,3,4"	stainless steel	1,713.00
FD-1102,3,4-M8	16	8"x8"	2,3,4"	stainless steel	1,922.00



Options for FD-1100 Series:

Suffix	Description	List Price	Suffix	Description	List Price
None	No Hub Outlet	No Add	-60	PVC Body w/Socket Outlet (2,3,4" only)	No Add
P	Push-On Outlet	No Add	-61	ABS Body w/Socket Outlet (2,3,4" only)	No Add
T	Threaded Outlet	\$131.50	-F4-3	4" Round SS Funnel	\$886.00
X	Inside Caulk	No Add	-F4-50	4" Round Cast Iron Funnel	291.00
None	6" Outlet No Hub Only	196.00	-F4-1	4" Round Nickel Bronze Funnel	693.00
-5	Sediment Bucket	176.00	-F6-1	6" Round Nickel Bronze Funnel	1,013.00
-6	Vandal Proof	88.50	-G-50	4x9" Oval Cast Iron Funnel	685.50
-7	Trap Primer Tapping	No Add	-G-1	4x9" Oval Nickel Bronze Funnel	1,414.00
-8	Ball Float Backwater Valve (2,3,4" only)	611.50	-SO	Side Outlet (2,3,4" only)	355.00
-13	Galvanized Body	314.00			
-15	Strainer Extension (DD-50)	229.50			
-28	304 SS Body and Collar (No Hub Only)	1,475.00			



Consult factory for all applications outside of listed parameters.
Prices do not include applicable taxes.

Adjustable Floor Drains with Stainless Steel Strainers

FD-1100-M-LR Floor Drain with Ligature Resistant Square Strainer

Model Number	Weight (lbs.)	Str. Size	Pipe Size	Strainer	List Price
FD-1102, 3, 4-M5-LR	11	5"	2,3,4"	stainless steel	\$4,060.00
FD-1102, 3, 4-M6-LR	12.5	6"	2,3,4"	stainless steel	4,202.00
FD-1102, 3, 4-M8-LR	16	8"	2,3,4"	stainless steel	5,242.00

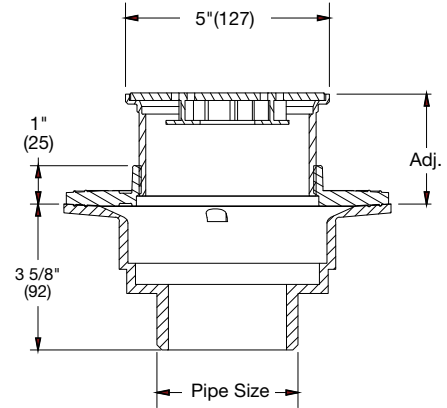


Chart A		
Strainer	Min.	Max.
5"	13/16"	2 1/2"
6"	7/8"	2 3/4"
8"	1 3/8"	3 5/8"

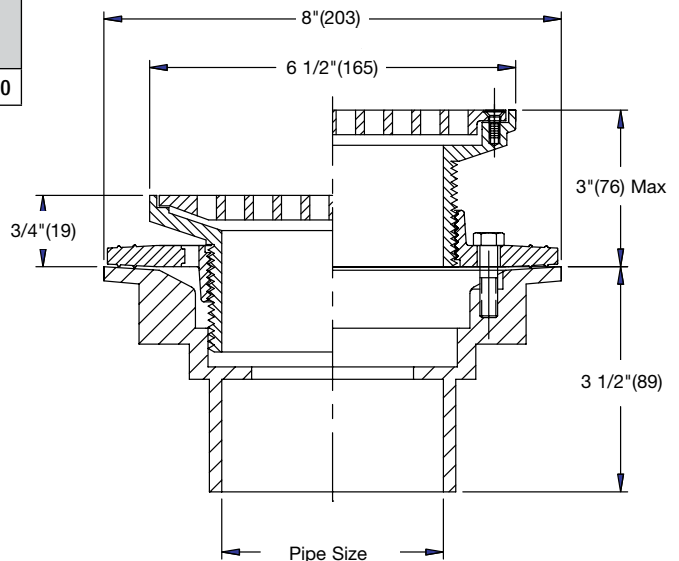
Chart B					
Pipe Size	No Hub	Push On	Female Thread	Inside Caulk	PVC/ABS
2"(51)	3 5/8"(92)	4 1/4"(108)	4 1/4"(108)	4 1/2"(114)	4"(102)
3"(76)	3 5/8"(92)	4 1/4"(108)	4 1/4"(108)	4 1/2"(114)	4"(102)
4"(102)	3 5/8"(92)	4 1/4"(108)	4 1/4"(108)	4 1/2"(114)	4"(102)
6"(152)	3 1/2"(89)	-	-	-	-

Options for FD-1100-M-LR Series:

Suffix	Description	List Price	Suffix	Description	List Price
None	No Hub Outlet	No Add	-60	PVC Body w/Socket Outlet (2,3,4" only)	No Add
P	Push-On Outlet	No Add	-61	ABS Body w/Socket Outlet (2,3,4" only)	No Add
T	Threaded Outlet	\$131.50	-F4-3	4" Round SS Funnel	\$886.00
X	Inside Caulk	No Add	-F4-50	4" Round Cast Iron Funnel	291.00
None	6" Outlet No Hub Only	196.00	-F4-1	4" Round Nickel Bronze Funnel	693.00
-5	Sediment Bucket	176.00	-F6-1	6" Round Nickel Bronze Funnel	1,013.00
-6	Vandal Proof	88.50	-G-50	4x9" Oval Cast Iron Funnel	685.50
-7	Trap Primer Tapping	No Add	-G-1	4x9" Oval Nickel Bronze Funnel	1,414.00
-8	Ball Float Backwater Valve (2,3,4" only)	611.50	-SO	Side Outlet (2,3,4" only)	355.00
-13	Galvanized Body	314.00			
-15	Strainer Extension (DD-50)	229.50			
-28	304 SS Body and Collar (No Hub Only)	1,475.00			

FD-1160 Chemical Resistant Floor Drain

Model Number	Weight (lbs.)	Str. Size	Pipe Size	Strainer	List Price
FD-1162,3,4	6	6 1/2"	2,3,4"	PVC	\$720.00



Options for FD-1160 Series:

Suffix	Description	List Price
-5	Sediment Bucket	\$176.00
-6	Vandal Proof	88.50
-7	Trap Primer Tapping	No Add
-F4-1	4" Round Nickel Bronze Funnel	693.00
-F6-1	6" Round Nickel Bronze Funnel	1,013.00
-G-1	4x9" Oval Nickel Bronze Funnel	1,414.00

Consult factory for all applications outside of listed parameters.

Prices do not include applicable taxes.



Adjustable Floor Drains with Stainless Steel Strainers

FD-1190-PR

Pronto!® Cast Iron Adjustable Floor Drain w/Integrated Level

Model Number	Weight Lbs.	Str. Size	Outlet Size	Strainer	List Price
FD-1192, 3, 4-PR5	14	5"(127)	2, 3, 4"	stainless steel	\$1,296.00
FD-1192, 3, 4-PR6	16	6"(152)	2, 3, 4"	stainless steel	1,049.00
FD-1192, 3, 4-PR7	18	7"(178)	2, 3, 4"	stainless steel	1,715.00
FD-1192, 3, 4-PR8	21	8"(203)	2, 3, 4"	stainless steel	2,425.00
FD-1196-PR5	14	5"(127)	6"	stainless steel	2,469.00
FD-1196-PR6	16	6"(152)	6"	stainless steel	2,469.00
FD-1196-PR7	18	7"(178)	6"	stainless steel	2,631.00
FD-1196-PR8	21	8"(203)	6"	stainless steel	2,631.00

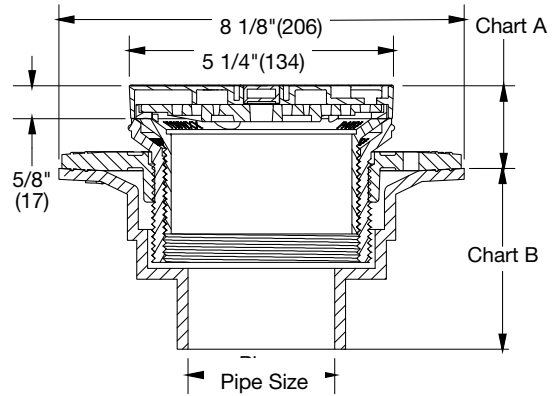


Chart A

Str. Size	Min.	Max.	Load Rating	Free Area Sq. In
5"(127)	1 3/4"(44)	4 1/4"(108)	MD	6 1/16"(154)
6"(152)	1 3/4"(44)	4 1/4"(108)	LD	10 3/4"(273)
7"(178)	1 7/8"(48)	4 3/8"(111)	LD	13 1/4"(337)
8"(203)	2"(51)	4 1/2"(114)	MD	19"(483)

Chart B

Pipe Size	Std. No Hub	P Push On	T Female Thread	X Inside Caulk	60 PVC
2"(51)	3 5/8"(92)	4 1/4"(108)	4 1/4"(108)	4 1/2"(114)	4"(102)
3"(76)	3 5/8"(92)	4 1/4"(108)	4 1/4"(108)	4 1/2"(114)	4"(102)
4"(102)	3 5/8"(92)	4 1/4"(108)	4 1/4"(108)	4 1/2"(114)	4"(102)
6"(152)	3 1/2"(89)				

FD-1190-PR-60

Pronto!® PVC Adjustable Floor Drain w/Integrated Level

Model Number	Weight Lbs.	Str. Size	Outlet Size	Strainer	List Price
FD-1192, 3, 4-PR5-60	5	5"(127)	2, 3, 4"	stainless steel	\$871.00
FD-1192, 3, 4-PR6-60	6	6"(152)	2, 3, 4"	stainless steel	1,049.00
FD-1192, 3, 4-PR7-60	7	7"(178)	2, 3, 4"	stainless steel	1,475.00
FD-1192, 3, 4-PR8-60	8	8"(203)	2, 3, 4"	stainless steel	2,266.00

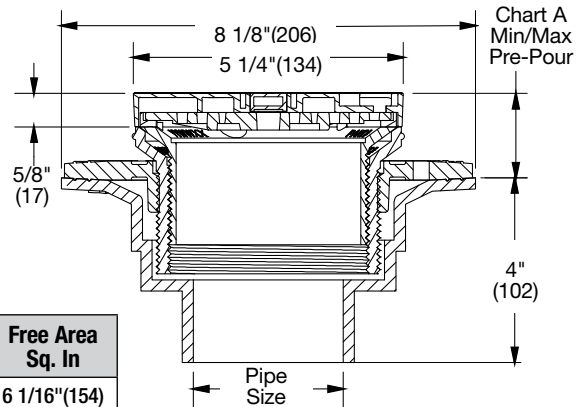


Chart A

Strainer Size	Min.	Max.	Load Rating	Free Area Sq. In
5"(127)	2 1/2"(64)	4 1/4"(108)	MD	6 1/16"(154)
6"(152)	2 1/2"(64)	4 1/4"(108)	LD	10 3/4"(273)
7"(178)	2 5/8"(67)	4 3/8"(111)	LD	13 1/4"(337)
8"(203)	2 3/4"(70)	4 1/2"(114)	MD	19"(483)

Options for FD-1190-PR/FD-1190-PR-60 Series:

Suffix	Description	List Price	Suffix	Description	List Price
None	No Hub Outlet (FD-1190-PR 2, 3, 4" Only)	No Add	-15	Strainer Extension (DD-50)	\$197.50
None	No Hub Outlet (FD-1190-PR 6" Only)	\$167.00	-61	ABS Body w/Socket Outlet (FD-1190-PR Only)	140.50
P	Push-On Outlet (FD-1190-PR Only)	No Add	-F4-50	4" Round Cast Iron Funnel	249.50
T	Threaded Outlet (FD-1190-PR Only)	112.00	-F4-1	4" Round Nickel Bronze Funnel	593.50
X	Inside Caulk (FD-1190-PR Only)	No Add	-F6-1	6" Round Nickel Bronze Funnel	868.50
-7	Trap Primer Tapping	No Add	-G-50	4" x 9" Oval Cast Iron Funnel	587.50
-8	Ball Float Backwater Valve (2, 3, 4" Only)	524.00	-G-1	4" x 9" Oval Nickel Bronze Funnel	1,211.00
-13	Galvanized Body (FD-1190-PR Only)	293.00	-S0	Side Outlet (FD-1190-PR 2, 3, 4" Only)	303.50



Consult factory for all applications outside of listed parameters.
Prices do not include applicable taxes.

On-Grade Floor Drains with Stainless Steel Strainers

FD-1200-A

Floor Drain with Heavy Duty Round Stainless Steel Strainer



Model Number	Weight (lbs.)	Str. Size	Pipe Size	Strainer	List Price
FD-1202,3,4-A5	8	5"	2,3,4"	stainless steel	\$951.00
FD-1202,3,4-A6	9.5	6"	2,3,4"	stainless steel	1,075.00
FD-1202,3,4-A8	16	8"	2,3,4"	stainless steel	1,866.00

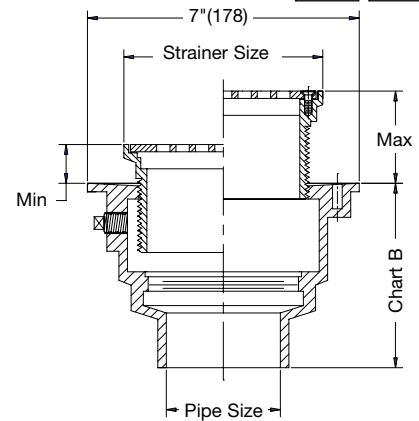


Chart A		
Str. Dia.	Min.	Max.
5"	7/16"	2 1/4"
6"	5/8"	2 1/4"
8"	3/4"	2 3/4"

Chart B			
Pipe Size	No Hub	Push On	PVC/ABS
2"	4 3/4"	5 1/2"	4"
3"	4 3/4"	5 1/2"	4"
4"	4 3/4"	5 1/2"	4"

FD-1200-B

Floor Drain with Heavy Duty Round Stainless Steel Strainer



Model Number	Weight (lbs.)	Str. Size	Pipe Size	Strainer	List Price
FD-1202,3,4-B5	11	5"	2,3,4"	stainless steel	\$1,211.00
FD-1202,3,4-B6	12.5	6"	2,3,4"	stainless steel	1,385.00
FD-1202,3,4-B8	16	8"	2,3,4"	stainless steel	2,472.00

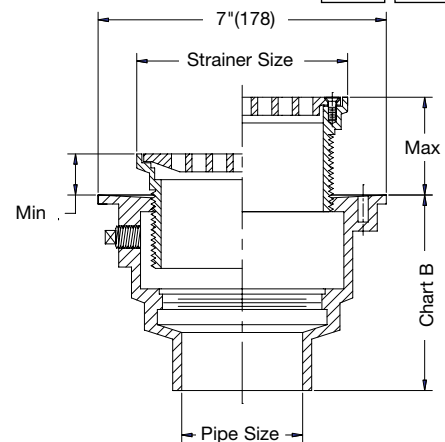


Chart A		
Str. Dia.	Min.	Max.
5"	7/16"	2 1/4"
6"	5/8"	2 1/4"
8"	3/4"	2 3/4"

Chart B			
Pipe Size	No Hub	Push On	PVC/ABS
2"	4 3/4"	5 1/2"	4"
3"	4 3/4"	5 1/2"	4"
4"	4 3/4"	5 1/2"	4"

Options for FD-1200 Series:

Suffix	Description	List Price	Suffix	Description	List Price
None	No Hub	No Add	-28	304SS Body & Collar w/BW Connection (No Hub Only)	\$1,475.00
P	Push-On Outlet	No Add	-60	PVC Body w/Socket Outlet	No Add
X	Inside Caulk	No Add	-61	ABS Body w/Socket Outlet	No Add
-5	Sediment Bucket	\$176.00	-F4-3	4" Round SS Funnel	886.00
-6	Vandal Proof	88.5	-F4-50	4" Round Cast Iron Funnel	291.00
-7	Trap Primer Tapping	No Add	-F4-1	4" Round Nickel Bronze Funnel	693.00
-8	Ball Float Backwater Valve (2,3,4" Only)	611.50	-F6-1	6" Round Nickel Bronze Funnel	1,013.00
-13	Galvanized Body	317.50	-G-50	4x9" Oval Cast Iron Funnel	685.50
-15	Strainer Extension (DD-50)	229.50	-G-1	4x9" Oval Nickel Bronze Funnel	1,414.00

Consult factory for all applications outside of listed parameters.

Prices do not include applicable taxes.



Adjustable Floor Drains with Stainless Steel Strainers

FD-1290-PR

Pronto!® Cast Iron Adjustable Floor Drain w/Integrated Level

Model Number	Weight Lbs.	Str. Size	Outlet Size	Strainer	List Price
FD-1292, 3, 4-PR5	13	5"(127)	2, 3, 4"	stainless steel	\$1,128.00
FD-1292, 3, 4-PR6	15	6"(152)	2, 3, 4"	stainless steel	1,270.00
FD-1292, 3, 4-PR7	17	7"(178)	2, 3, 4"	stainless steel	1,685.00
FD-1292, 3, 4-PR8	20	8"(203)	2, 3, 4"	stainless steel	2,394.00

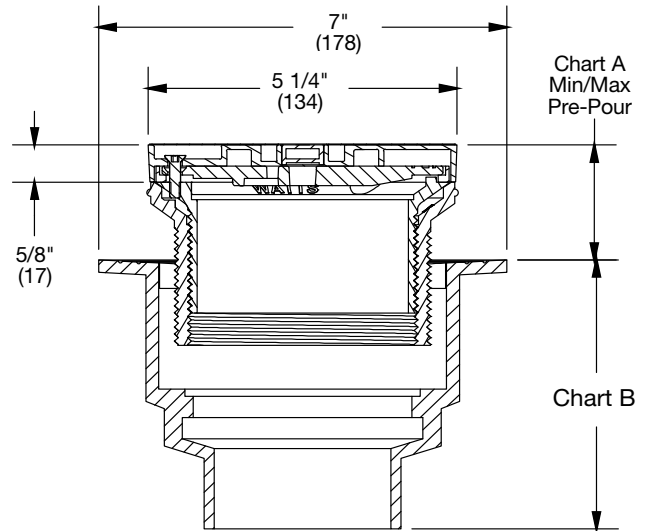


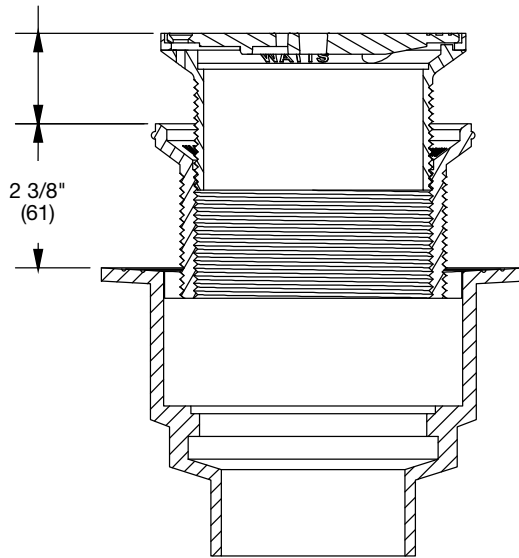
Chart A

Strainer Size	Min.	Max.	Load Rating	Free Area Sq. In
5"(127)	1 1/2"(38)	3 1/4"(83)	MD	6 1/16"(154)
6"(152)	1 1/2"(38)	3 1/4"(83)	LD	10 3/4"(273)
7"(178)	1 9/16"(40)	3 5/16"(84)	LD	13 1/4"(337)
8"(203)	1 11/16"(43)	3 7/16"(87)	MD	19"(483)

Chart B

Pipe Size	Std. No Hub	P Push On	60/61 PVC/ABS
2"(51)	4 1/2"(114)	5 1/2"(140)	4"(102)
3"(76)	4 1/2"(114)	5 1/2"(140)	4"(102)
4"(102)	4 3/4"(121)	5 1/2"(140)	4"(102)

0-7/8" Adj. Post-Pour



Options for FD-1290-PR Series

Suffix	Description	List Price	Suffix	Description	List Price
None	No Hub Outlet	No Add	-15	Strainer Extension (DD-50)	\$229.50
P	Push-On Outlet	No Add	-F4-50	4" Round Cast Iron Funnel	291.00
T	Threaded Outlet	\$131.50	-F4-1	4" Round Nickel Bronze Funnel	693.00
X	Inside Caulk	No Add	-F6-1	6" Round Nickel Bronze Funnel	1,013.00
-7	Trap Primer Tapping	No Add	-G-1	4x9" Oval Nickel Bronze Funnel	1,414.00
-8	Ball Float Backwater Valve (2, 3, 4" Only)	611.50			
-13	Galvanized Body	317.50			



Consult factory for all applications outside of listed parameters. Prices do not include applicable taxes.

Adjustable Floor Drains with Stainless Steel Strainers

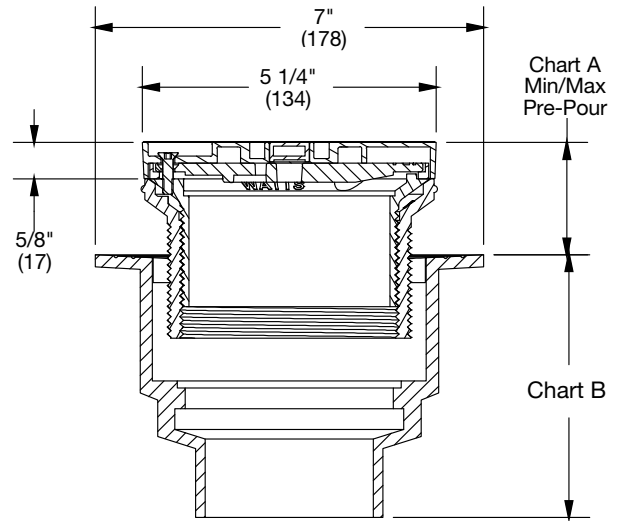
FD-1290-PR-60

Pronto!® PVC Adjustable Floor Drain w/Integrated Level

Model Number	Weight Lbs.	Str. Size	Outlet Size	Strainer	List Price
FD-1292, 3, 4-PR5-60	4	5"(127)	2, 3, 4"	stainless steel	\$838.50
FD-1292, 3, 4-PR6-60	5	6"(152)	2, 3, 4"	stainless steel	1,017.00
FD-1292, 3, 4-PR7-60	6	7"(178)	2, 3, 4"	stainless steel	1,442.00
FD-1292, 3, 4-PR8-60	7	8"(203)	2, 3, 4"	stainless steel	2,233.00



PATENTED



0-7/8" Adj. Post-pour

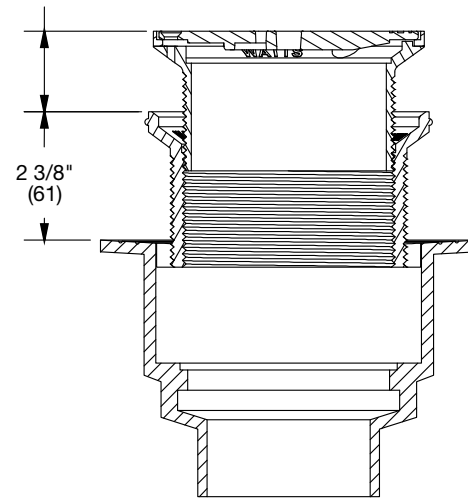


Chart A

Strainer Size	Min.	Max.	Load Rating	Free Area Sq. In
5"(127)	1 1/2"(38)	3 1/4"(83)	MD	6 1/16"(154)
6"(152)	1 1/2"(38)	3 1/4"(83)	LD	10 3/4"(273)
7"(178)	1 9/16"(40)	3 5/16"(84)	LD	13 1/4"(337)
8"(203)	1 11/16"(43)	3 7/16"(87)	MD	19"(483)

Chart B

Pipe Size	60 PVC
2"(51)	4 1/2"(114)
3"(76)	4 1/2"(114)
4"(102)	4 1/2"(114)

Options for FD-1290-PR-60 Series

Suffix	Description	List Price	Suffix	Description	List Price
-7	Trap Primer Tapping	No Add	-G-1	4x9" Oval Nickel Bronze Funnel	\$1,344.00
-8	Ball Float Backwater Valve	\$611.50			
-61	ABS Body w/Socket Outlet	164.50			
-F4-50	4" Round Cast Iron Funnel	291.00			
F4-1	4" Round Nickel Bronze Funnel	693.00			
-F6-1	6" Round Nickel Bronze Funnel	1,013.00			
-G-50	4x9" Oval Cast Iron Funnel	685.50			
-15	Strainer Extension (DD-50)	229.50			

Consult factory for all applications outside of listed parameters.

Prices do not include applicable taxes.



On-Grade Floor Drains with Stainless Steel Strainers

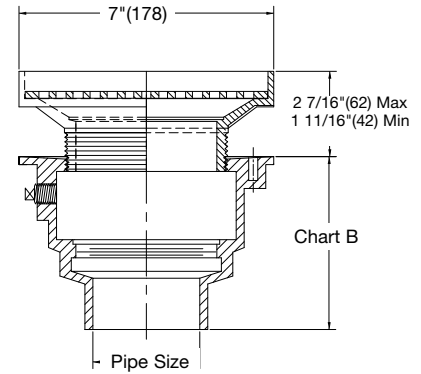
FD-1200-ER

Floor Drain with Stainless Steel Extended Rim Strainer

Model Number	Weight (lbs.)	Str. Size	Pipe Size	Strainer	List Price
FD-1202,3,4-ER7	11	7"	2,3,4"	stainless steel	\$1,971.00



Chart B			
Pipe Size	No Hub	Push On	PVC/ABS
2"	4 3/4"	5 1/2"	4"
3"	4 3/4"	5 1/2"	4"
4"	4 3/4"	5 1/2"	4"



FD-1200-L

Floor Drain with Heavy Duty Square Stainless Steel Strainer

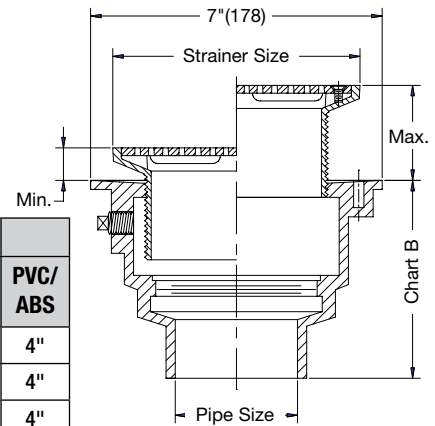


Model Number	Weight (lbs.)	Str. Size	Pipe Size	Strainer	List Price
FD-1202,3,4-L5	10	5x5"	2,3,4"	stainless steel	\$1,310.00
FD-1202,3,4-L6	14	6x6"	2,3,4"	stainless steel	1,634.00
FD-1202,3,4-L8	16	8x8"	2,3,4"	stainless steel	2,090.00



Chart A		
Strainer	Min.	Max.
5"x5"	1 1/2"	2 5/16"
6"x6"	1 1/2"	2 5/16"
8"x8"	3/4"	2 3/4"

Chart B			
Pipe Size	No Hub	Push On	PVC/ABS
2"	4 3/4"	5 1/2"	4"
3"	4 3/4"	5 1/2"	4"
4"	4 3/4"	5 1/2"	4"



FD-1200-M

Floor Drain with Square Stainless Steel Strainer

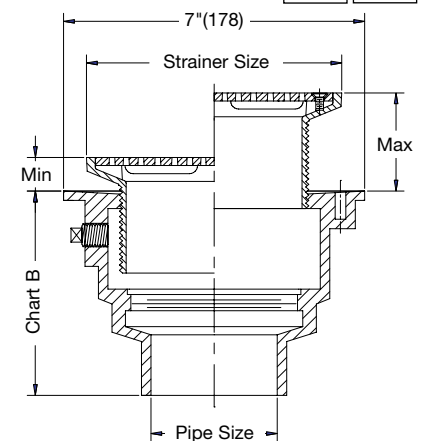


Model Number	Weight (lbs.)	Str. Size	Pipe Size	Strainer	List Price
FD-1202,3,4-M5	10	5"x5"	2,3,4"	stainless steel	\$1,197.00
FD-1202,3,4-M6	12.5	6"x6"	2,3,4"	stainless steel	1,634.00
FD-1202,3,4-M8	16	8"x8"	2,3,4"	stainless steel	1,905.00



Chart A		
Strainer	Min.	Max.
5"x5"	1 1/2"	2 5/16"
6"x6"	1 1/2"	2 5/16"
8"x8"	1 1/2"	2 3/4"

Chart B			
Pipe Size	No Hub	Push On	PVC/ABS
2"	4 3/4"	5 1/2"	4"
3"	4 3/4"	5 1/2"	4"
4"	4 3/4"	5 1/2"	4"



Options for FD-1200 Series:

Suffix	Description	List Price	Suffix	Description	List Price
None	No Hub	No Add	-28	304SS Body & Collar w/BW Connection (No Hub only)	\$1,475.00
P	Push-On Outlet	No Add	-60	PVC Body w/Socket Outlet	No Add
X	Inside Caulk	No Add	-61	ABS Body w/Socket Outlet	No Add
-5	Sediment Bucket	\$176.00	-F4-3	4" Round SS Funnel	886.00
-6	Vandal Proof	88.50	-F4-50	4" Round Cast Iron Funnel	291.00
-7	Trap Primer Tapping	No Add	-F4-1	4" Round Nickel Bronze Funnel	693.00
-8	Ball Float Backwater Valve (2,3,4" Only)	611.50	-F6-1	6" Round Nickel Bronze Funnel	1,013.00
-13	Galvanized Body	317.50	-G-50	4x9" Oval Cast Iron Funnel	685.50
-15	Strainer Extension (DD-50)	229.50	-G-1	4x9" Oval Nickel Bronze Funnel	1,414.00



Consult factory for all applications outside of listed parameters.
Prices do not include applicable taxes.

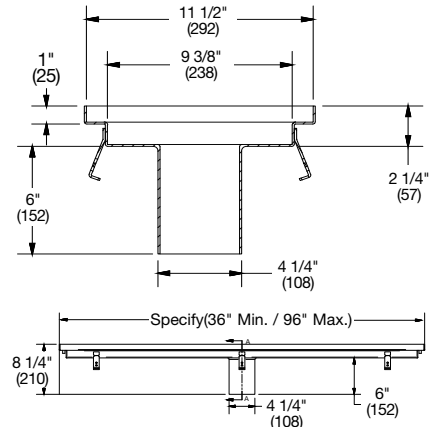
Channel Drains/Accessories

TD-300 Elevator Channel Drain

Model Number	Size	EDP Number	Grate	List Price
TD-324	24"	8189398	stainless steel	\$8,150.00
*TD-336	36"	8189211	stainless steel	12,224.00
*TD-342	42"	8189377	stainless steel	14,253.00
*TD-348	48"	8189779	stainless steel	16,085.00
*TD-360	60"	8189780	stainless steel	17,711.00
*TD-396	96"	8189375	stainless steel	32,582.00
Special Order: Add Per Ft.				\$3,727.00

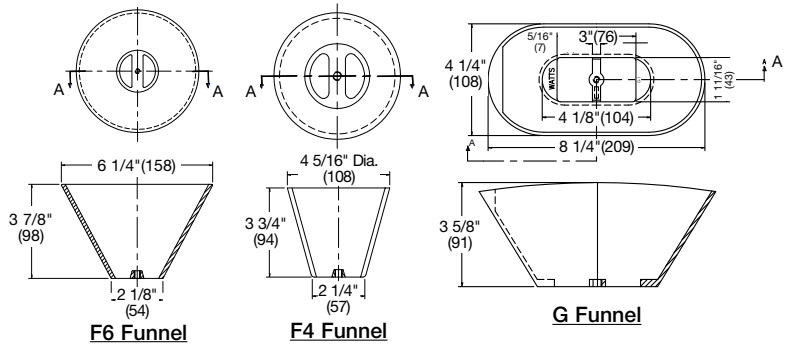
Options for TD-300:

Suffix	Description	List Price
-06	6"(152) No Hub Outlet	\$589.00



FD-Funnels Bolt-On Funnels

Model Number	EDP#	Size	Material	List Price
F4-50	8135668	4" Round	cast iron	\$291.00
F4-1	8135666	4" Round	nickel bronze	694.50
F4-3	8187293	4" Round	stainless steel	887.50
F6-1	8135671	6" Round	nickel bronze	1,013.00
G-50	8141444	4x9" Oval	cast iron	686.50
G-1	8141441	4x9" Oval	nickel bronze	1,414.00
G-3	8141443	4x9" Oval	stainless steel	1,766.00

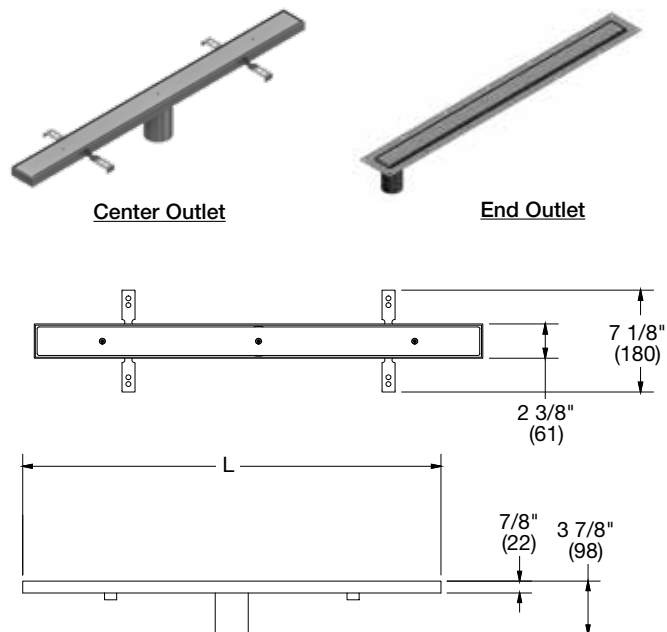


WSC-300-LR Ligature Resistant Waterline Shower Channel

Model Number	Pipe Size	Top Size	List Price
WSC-312-LR	2"	12" SS LR Shower Channel	\$1,911.00
WSC-312-LR-FC	2"	w/Membrane Clamp	2,103.00
WSC-324-LR	2"	24" SS LR Shower Channel	2,230.00
WSC-324-LR-FC	2"	w/Membrane Clamp	2,339.00
WSC-330-LR	2"	30" SS LR Shower Channel	2,441.00
WSC-330-LR-FC	2"	w/Membrane Clamp	2,556.00
WSC-336-LR	2"	36" SS LR Shower Channel	2,643.00
WSC-336-LR-FC	2"	w/Membrane Clamp	2,765.00
WSC-342-LR	2"	42" SS LR Shower Channel	2,848.00
WSC-342-LR-FC	2"	w/Membrane Clamp	2,980.00
WSC-348-LR	2"	48" SS LR Shower Channel	3,185.00
WSC-348-LR-FC	2"	w/ Membrane Clamp	3,504.00
WSC-360-LR	2"	60" SS LR Shower Channel	3,377.00
WSC-360-LR-FC	2"	w/Membrane Clamp	3,714.00

Options for WSC-300-LR:

Suffix	Description	List Price
-EO	End Outlet	No Add



Consult factory for all applications outside of listed parameters.
Prices do not include applicable taxes.



Sanitary Floor Sinks

Table Of Contents

- Pictorial Index
- Recommendations
- Floor Sink Selection Factors
 - Materials
 - Pipe Connections
 - Load Ratings
 - Design Considerations
 - Commonly Specified Options
 - Option Configurations
- Typical Installations



Sanitary Floor Sinks

Pictorial Index



FS-700
8" Round x 3" Deep



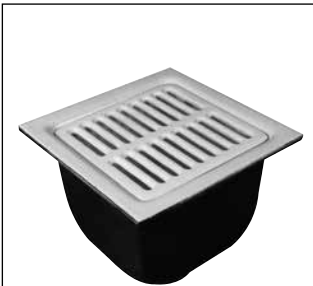
FS-710
8" Square x 6" Deep



FS-720
8" Round x 6" Deep



FS-730
12" Square x 6" Deep



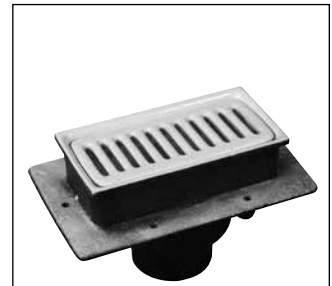
FS-740
12" Square x 8" Deep



FS-750
12" Square x 10" Deep



FS-760
12" Round x 8" Deep



FS-770
4"X8" Rectangular X 4"
Deep



FS-780
Stainless Steel
12" Square x 6" Deep



FS-790
Stainless Steel
12" Square x 8" Deep



FS-800
Can Wash Sink



FS-850
16" Square x 12" Deep



FS-900
12"x 24"x17" Deep

Consult factory for all applications outside of listed parameters.
Prices do not include applicable taxes.

WATTS[®]

Sanitary Floor Sinks

Recommendations

Watts Sanitary Floor Sinks are recommended for indirect waste reception, generally in food handling or preparation areas. Sanitary floor sinks are constructed of porcelain enamel coated cast iron, or type 304 stainless steel. The smooth interior and rounded corners eliminate areas where pockets of waste and bacteria might otherwise accumulate.

Floor Sink Selection Factors

Materials

Porcelain enamel coated cast iron

White, glasslike inorganic coating common in sanitary plumbing applications. Corrosion proof and easy to clean, in compliance with strict sanitation standards.

Stainless steel

14 ga. in accordance with ASTM-351-Grade CF8 (Type 304) standard specification. Highly durable and resistant to corrosion.

PVC

Standard sch. 40 PVC, corrosion resistant, for direct solvent weld connection.

Pipe Connections

No hub (standard)

Butt connection using a no hub or neoprene coupling. Suitable for cast iron, plastic, and most other piping applications.

Push-on (-P)

ASTM C-564 gasket connection, with pipe stop. Suitable for no hub or service weight cast iron, sch. 40 plastic, and steel pipe. Not recommended for above grade.

Inside caulk

Used for lead and oakum joints, pipe is inserted through a caulk ring on the drain outlet.

Load Ratings

Floor sinks are not designed for traffic, and generally should not be specified in areas where traffic may occur. Please consult Watts technical support before specifying Sanitary Floor Sinks in an area subject to foot or other traffic.

Design Considerations

Porcelain grating

Porcelain floor sink grates are specifically designed to maximize flow through the grate.

Note: Porcelain grating is slippery and unstable, and cannot accept any foot or other traffic.

Above grade installation

Above grade floor sinks must be specified with a flange (option -F) to prevent water from seeping around the sink, and leaking through the floor. If the floor is properly waterproofed with a membrane, option -FC (flange and clamp) should be specified.



Sanitary Floor Sinks

Floor Sink Selection Factors

Commonly Specified Options

-F Flange with Weepholes

Anchors the sink in above grade applications. Water seeping around the outside of the sink will stop at the flange, and return to the sink through the weepholes.

-FC Flange with Weepholes and Flashing Clamp

Flange and flashing clamp secure a waterproofing membrane in above grade applications.

-1 Nickel Bronze Rim & Grate

Finished area top assembly for porcelain enamel coated sinks.

-3 Stainless Steel Rim & Grate

Finished area top assembly for porcelain enamel coated sinks.

-5 Sediment Bucket

Catches debris at the drain to prevent it from collecting and blocking the p-trap.

-6 Vandal Proof

Grate secured with Allen Head screws. Security screws (Torx and Pin, Allen and Pin) may be specified for high security applications.

-7 Trap Primer Tapping

Plugged 1/2" threaded inlet on drain body, for connection to trap primer valve (see Watts #LFTP300-DR).

-9 Hinged Grate

Available on square top floor sinks with optional nickel bronze (-1) or stainless steel (-3) top assemblies. Provides easy access to sediment buckets and drain lines requiring regular maintenance.

-21 Secondary Strainer

Fits in bottom of drain body, secondary protection against debris that bypasses sediment bucket.

-33 Less Grate

Grate removed for indirect waste reception.

-128 Grate with 2-1/2" Center Opening

For indirect waste line.

-150 1/2 Grate

Commonly specified under refrigeration cases. Receives indirect waste from back side, while grate covers exposed area.

-175 3/4 Grate

For indirect waste line.

-F4-1, -F6-1 Round Funnels

4" or 6" dia. nickel bronze round funnels to accept single condensate lines. Bolt supplied to attach funnel through underside of grate.

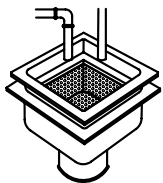
-G-1 Oval Funnel

4"x9" nickel bronze oval funnel, to accept multiple condensate lines. Bolt supplied to attach funnel through underside of grate.

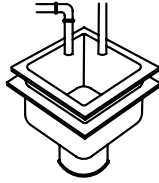
-US Buy American Compliant

Product will be supplied with minimum 51% domestic content, in compliance with FAR 52.225-9 Buy American Act.

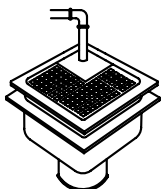
Option Configurations



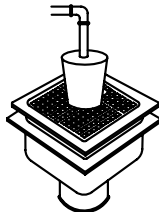
-5 Sediment Bucket



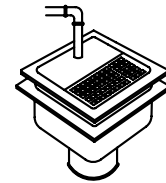
-33 Less Grate



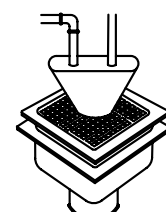
-175 3/4 Grate



-F4-1 NB Round Funnel



-150 1/2 Grate



-G-1 NB Oval Funnel

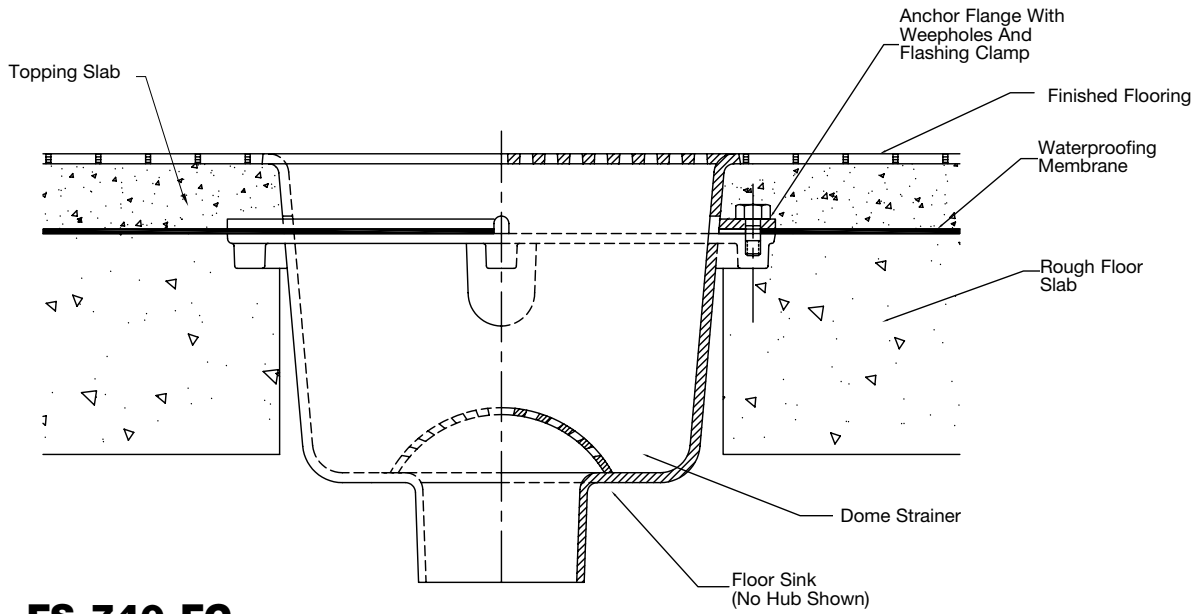
Consult factory for all applications outside of listed parameters.

Prices do not include applicable taxes.

WATTS[®]

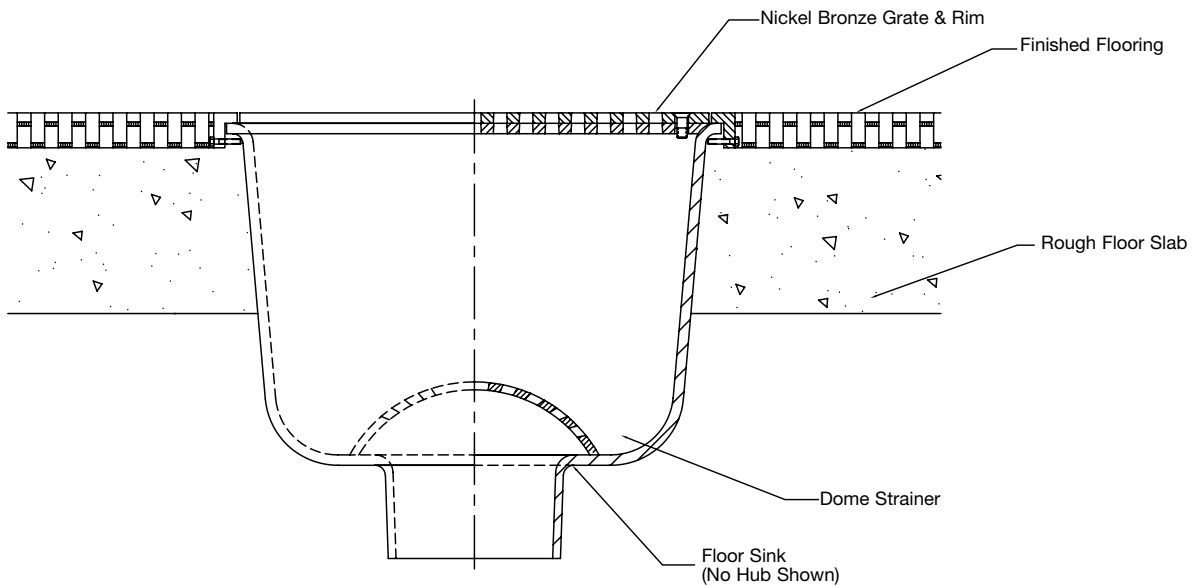
Sanitary Floor Sinks

Typical Installations



FS-740-FC

ABOVE GRADE INSTALLATION



FS-740-1

ON GRADE INSTALLATION



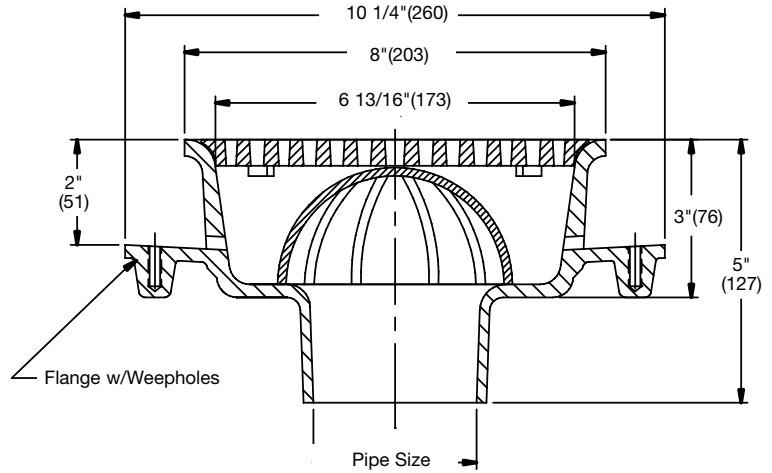
Consult factory for all applications outside of listed parameters.
Prices do not include applicable taxes.

Sanitary Floor Sinks

FS-700

8" Round x 3" Deep Sanitary Floor Sink

Model Number	Weight (lbs.)	Top Size	Outlet Size	Top	List Price
FS-702, 3, 4	14	8" Round	2,3,4"	porcelain	\$2,222.00
FS-702, 3, 4-1	20	8" Round	2,3,4"	nickel bronze	2,918.00



Options for FS-700 Series

Suffix	Description	List Price	Suffix	Description	List Price
None	No Hub	No Add	-150	1/2 Grate	No Add
P	Push-On Outlet	No Add	-175	3/4 Grate	No Add
FC	Flange w/Weepholes & Flashing Clamp	\$303.00	-F4-1	4" Round Nickel Bronze Funnel	\$693.00
-5	Sediment Bucket	361.00	-F6-1	6" Round Nickel Bronze Funnel	1,013.00
-6	Vandal Proof (-1 Ony)	125.00	-G-1	4x9" Oval Nickel Bronze Funnel	1,414.00
-7	Trap Primer Tapping	311.50			
-9	Hinged Grate (FS-710-1, -3 Only)	569.50			
-21	Secondary Strainer	110.50			
-33	Less Grate	-420.00			

Consult factory for all applications outside of listed parameters.

Prices do not include applicable taxes.

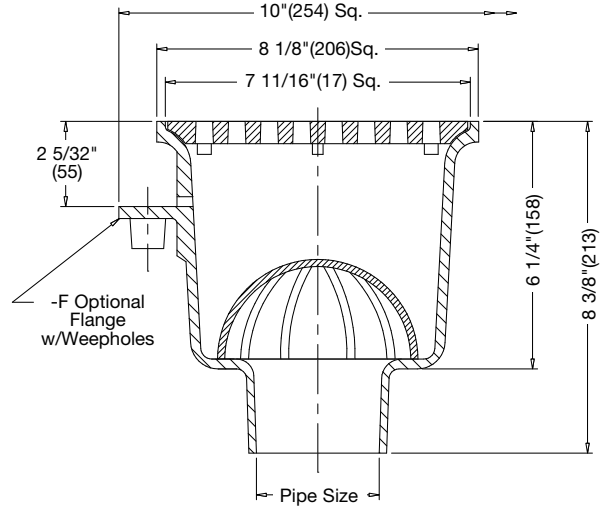


Sanitary Floor Sinks

FS-710

8" Square x 6" Deep Sanitary Floor Sink

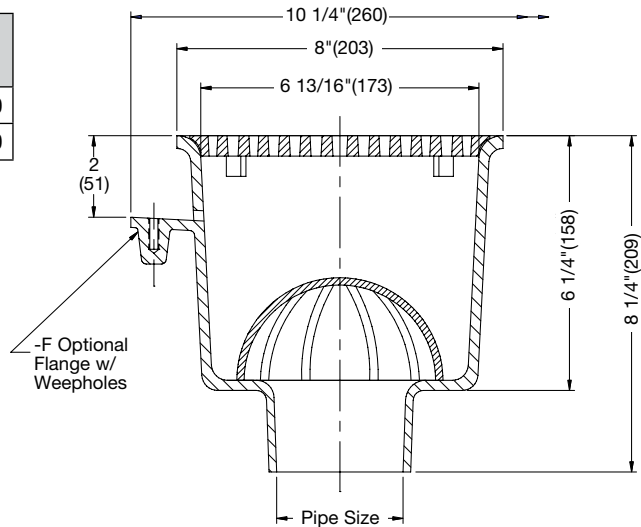
Model Number	Weight (lbs.)	Top Size	Outlet Size	Top	List Price
FS-712, 3, 4	20	8" Sq.	2,3,4"	porcelain	\$2,545.00
FS-712, 3, 4-1	20	8" Sq.	2,3,4"	nickel bronze	3,242.00



FS-720

8" Round x 6" Deep Sanitary Floor Sink

Model Number	Weight (lbs.)	Top Size	Outlet Size	Top	List Price
FS-722, 3, 4	16	8" Round	2,3,4"	porcelain	\$2,337.00
FS-722, 3, 4-1	16	8" Round	2,3,4"	nickel bronze	3,032.00



Options for FS-710/720 Series

Suffix	Description	List Price	Suffix	Description	List Price
None	No Hub	No Add	-21	Secondary Strainer	\$110.50
P	Push-On Outlet	No Add	-33	Less Grate	-420.00
X	Inside Caulk Outlet	No Add	-150	1/2 Grate	No Add
-F	Flange w/Weepholes	\$300.00	-175	3/4 Grate	No Add
-FC	Flange w/Weepholes & Flashing Clamp	602.50	-F4-1	4" Round Nickel Bronze Funnel	693.00
-3	Stainless Steel (Rim & Grate) (FS-710 Only)	955.00	-F6-1	6" Round Nickel Bronze Funnel	1,013.00
-5	Sediment Bucket	360.50	-G-1	4x9" Oval Nickel Bronze Funnel	1,414.00
-6	Vandal Proof (-1,-3 Only)	125.00			
-7	Trap Primer Tapping	311.50			
-9	Hinged Grate (FS-710-1, -3 Only)	569.50			



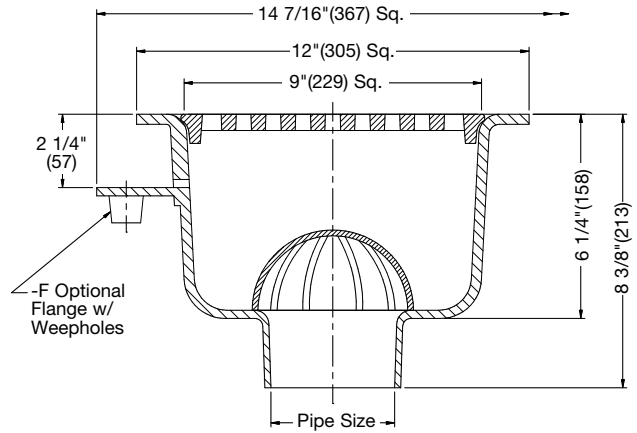
Consult factory for all applications outside of listed parameters.
Prices do not include applicable taxes.

Sanitary Floor Sinks

FS-730

12" Square x 6" Deep Sanitary Floor Sink

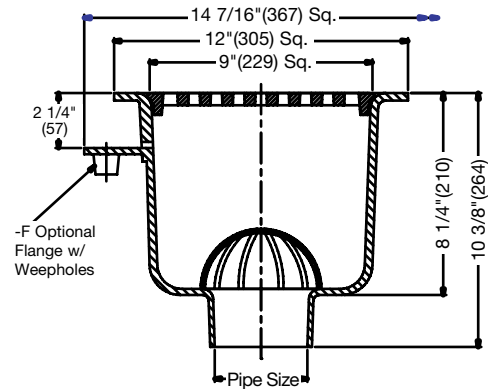
Model Number	Weight (lbs.)	Top Size	Outlet Size	Top	List Price
FS-732, 3, 4	32	12" Sq.	2,3,4"	porcelain	\$3,421.00
FS-732, 3, 4-1	32	12" Sq.	2,3,4"	nickel bronze	4,634.00



FS-740

12" Square x 8" Deep Sanitary Floor Sink

Model Number	Weight (lbs.)	Top Size	Outlet Size	Top	List Price
FS-742, 3, 4	34	12" Sq.	2,3,4"	porcelain	\$3,601.00
FS-742, 3, 4-1	34	12" Sq.	2,3,4"	nickel bronze	4,815.00



Options for FS-730 / FS-740 / FS-750 Series

Suffix	Description	List Price	Suffix	Description	List Price
None	No Hub	No Add	-9	Hinged Grate (-1, -3 Only)	\$569.50
P	Push-On Outlet	No Add	-21	Secondary Strainer	110.50
X	Inside Caulk Outlet	No Add	-33	Less Grate	-420.00
-F	Flange w/Weepholes	\$627.00	-128	Grate with 2 1/2" Center Opening	291.00
-FC	Flange w/Weepholes & Flashing Clamp	939.50	-150	1/2 Grate	No Add
-3	Stainless Steel (Rim & Grate)	1,454.00	-175	3/4 Grate	No Add
-5	Sediment Bucket	517.00	-F4-1	4" Round Nickel Bronze Funnel	693.00
-6	Vandal Proof (-1,-3 Only)	125.00	-F6-1	6" Round Nickel Bronze Funnel	1,013.00
-7	Trap Primer Tapping	311.50	-G-1	4x9" Oval Nickel Bronze Funnel	1,414.00

Consult factory for all applications outside of listed parameters.

Prices do not include applicable taxes.

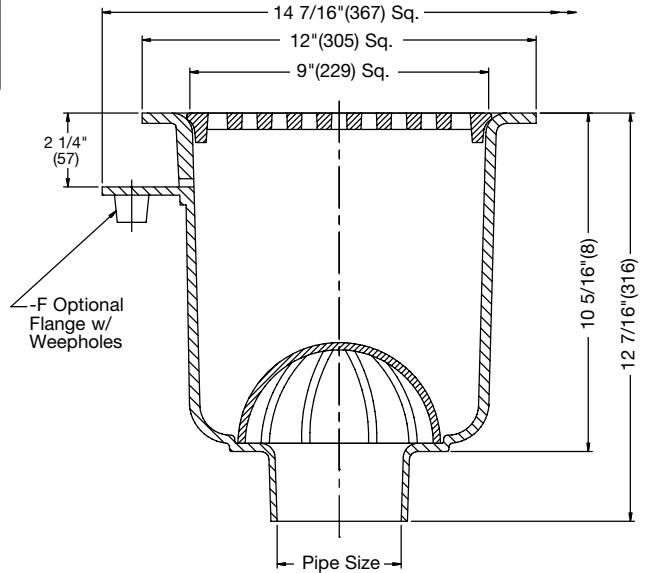


Sanitary Floor Sinks

FS-750

12" Square x 10" Deep Sanitary Floor Sink

Model Number	Weight (lbs.)	Top Size	Outlet Size	Top	List Price
FS-752, 3, 4	36	12" Sq.	2,3,4"	porcelain	\$3,789.00
FS-752, 3, 4-1	36	12" Sq.	2,3,4"	nickel bronze	5,006.00

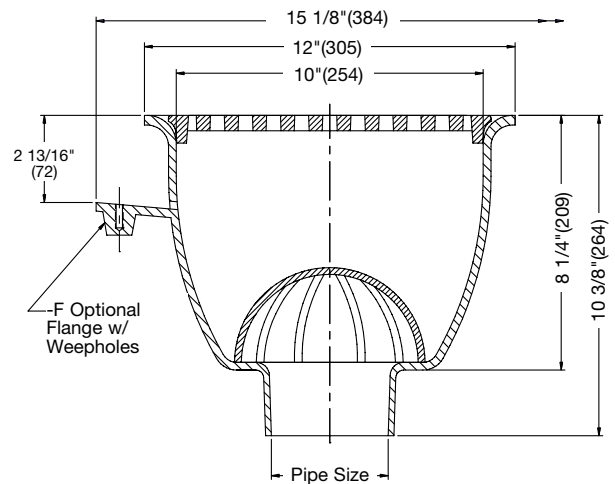


Options See Pg. 76

FS-760

12" Round x 8" Deep Sanitary Floor Sink

Model Number	Weight (lbs.)	Top Size	Outlet Size	Top	List Price
FS-762, 3, 4	32	12" Round	2,3,4"	porcelain	\$2,494.00
FS-762, 3, 4-1	32	12" Round	2,3,4"	nickel bronze	\$3,669.00



Options for FS-760 Series:

Suffix	Description	List Price	Suffix	Description	List Price
None	No Hub	No Add	-21	Secondary Strainer	\$110.50
P	Push-On Outlet	No Add	-33	Less Grate	-420.00
-F	Flange w/Weepholes	\$627.00	-150	1/2 Grate	No Add
-FC	Flange w/Weepholes & Flashing Clamp	939.50	-175	3/4 Grate	No Add
-5	Sediment Bucket	517.00	-F4-1	4" Round Nickel Bronze Funnel	693.00
-6	Vandal Proof (-1,-3 Only)	125.00	-F6-1	6" Round Nickel Bronze Funnel	1,013.00
-7	Trap Primer Tapping	311.50	-G-1	4x9" Oval Nickel Bronze Funnel	1,414.00



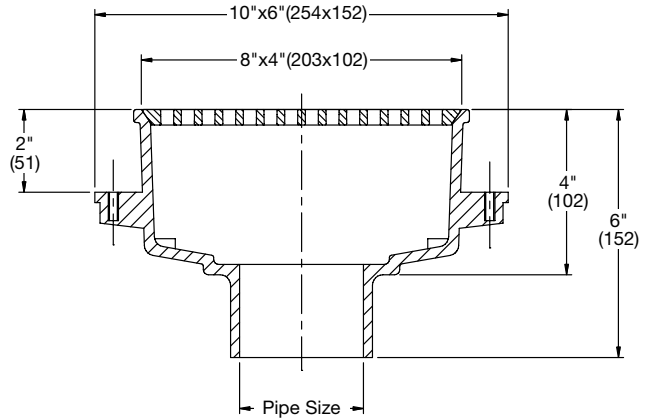
Consult factory for all applications outside of listed parameters.
Prices do not include applicable taxes.

Sanitary Floor Sinks

FS-770

8" x 4" x 4" Deep Sanitary Floor Sink

Model Number	Weight (lbs.)	Top Size	Outlet Size	Top	List Price
FS-772, 3,	16	4"x8"	2,3"	porcelain	\$2,545.00
FS-772, 3-1	16	4"x8"	2,3"	nickel bronze	3,157.00



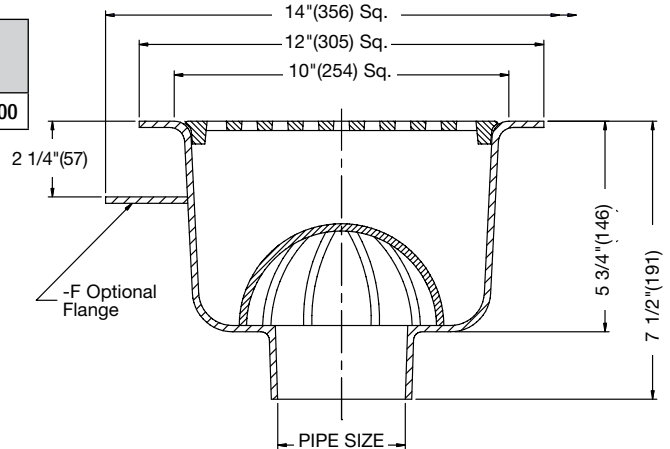
Options for FS-770 Series:

Suffix	Description	List Price	Suffix	Description	List Price
None	No Hub	No Add	-33	Less Grate	\$-420.00
P	Push-On Outlet	No Add	-150	1/2 Grate	No Add
-FC	Flashing Clamp	\$297.50	F4-1	4" Round Nickel Bronze Funnel	693.00
-5	Sediment Bucket	361.00	-F6-1	6" Round Nickel Bronze Funnel	1,013.00
-6	Vandal Proof (-1, Only)	125.00	-G-1	4x9" Oval Nickel Bronze Funnel	1,414.00
-7	Trap Primer Tapping	311.50			

FS-780

12" Square x 6" Deep Sanitary Floor Sink

Model Number	Weight (lbs.)	Top Size	Outlet Size	Top	List Price
FS-782, 3, 4	16	12" Sq.	2,3,4"	stainless steel	\$6,022.00



Options for FS-780 Series:

Suffix	Description	List Price	Suffix	Description	List Price
None	No Hub	No Add	-33	Less Grate	\$-1,823.00
P	Push-On Outlet	No Add	-150	1/2 Grate	No Add
-F	Flange w/Weepholes	\$886.00	-175	3/4 Grate	No Add
-FC	Flange w/Weepholes & Flashing Clamp	1,666.00	F4-1	4" Round Nickel Bronze Funnel	693.00
-5	Sediment Bucket	669.50	-F6-1	6" Round Nickel Bronze Funnel	1,013.00
-6	Vandal Proof	1,033.00	-G-1	4x9" Oval Nickel Bronze Funnel	1,414.00
-21	Secondary Strainer	110.50			

Consult factory for all applications outside of listed parameters.

Prices do not include applicable taxes.

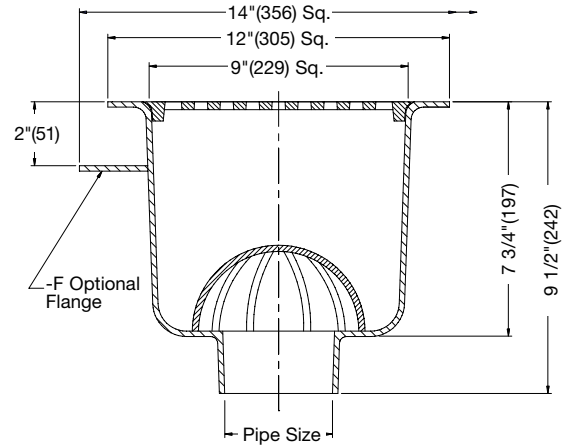


Sanitary Floor Sinks

FS-790

12" Square x 8" Deep Stainless Steel Sanitary Floor Sink

Model Number	Weight (lbs.)	Top Size	Outlet Size	Top	List Price
FS-792, 3, 4	18	12" Sq.	2,3,4"	stainless steel	\$6,297.00



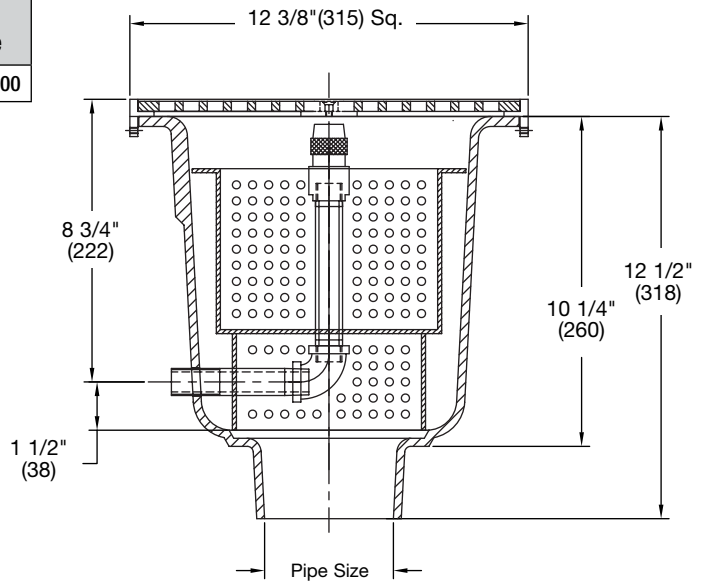
FS-800

Sanitary Can Wash

Model Number	Weight (lbs.)	Top Size	Outlet Size	Top	List Price
FS-804	39	12" Sq.	4"	nickel bronze	\$6,867.00

Options for FS-800 Series

Suffix	Description	List Price
-6	Vandal Proof	\$113.00



Options for FS-780 and FS-790 Series:

Suffix	Description	List Price	Suffix	Description	List Price
None	No Hub	No Add	-33	Less Grate	\$-1,823.00
P	Push-On Outlet	No Add	-150	1/2 Grate	No Add
-F	Flange w/Weepholes	\$886.00	-175	3/4 Grate	No Add
-FC	Flange w/Weepholes & Flashing Clamp	1,666.00	-F4-1	4" Round Nickel Bronze Funnel	693.00
-5	Sediment Bucket	669.50	-F6-1	6" Round Nickel Bronze Funnel	1,013.00
-6	Vandal Proof	1,033.00	-G-1	4x9" Oval Nickel Bronze Funnel	1,414.00
-21	Secondary Strainer	110.50			



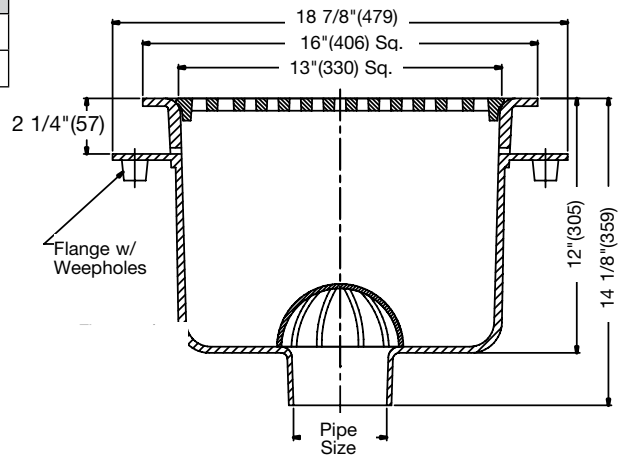
Consult factory for all applications outside of listed parameters.
Prices do not include applicable taxes.

Sanitary Floor Sinks

FS-850

16" Square x 12" Deep Sanitary Floor Sink

Model Number	Weight (lbs.)	Top Size	Outlet Size	Top	List Price
FS-854,6	150	16" Sq.	4,6"	porcelain	\$7,573.00
FS-854,6-1	150	16" Sq.	4,6"	nickel bronze	9,539.00



Options for FS-850 Series

Suffix	Description	List Price	Suffix	Description	List Price
-FC	Flashing Clamp	\$912.00	-150	1/2 Grate	No Add
-5	Sediment Bucket	1,339.00	-175	3/4 Grate	No Add
-6	Vandal Proof (-1 Only)	125.00	-F4-1	4" Round NB Funnel	\$693.00
-7	Trap Primer Tapping	311.50	-F6-1	6" Round NB Funnel	1,013.00
-9	Hinged Grate	569.50	-G-1	4x9" Oval NB Funnel	1,414.00
-33	Less Grate	-1,331.00			

Consult factory for all applications outside of listed parameters.

Prices do not include applicable taxes.

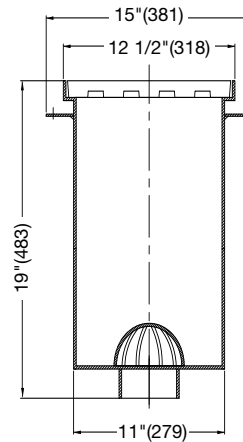
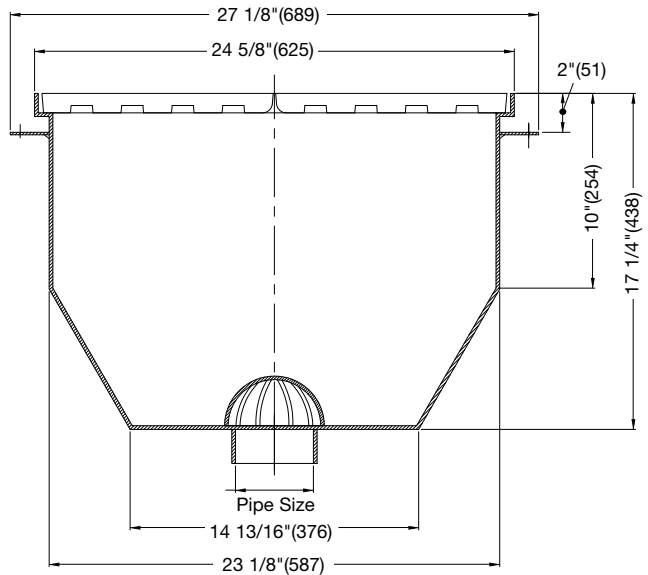


Sanitary Floor Receptor

FS-900

12" x 24" x 17" Deep Floor Receptor

Model Number	Weight (lbs.)	Top Size	Outlet Size	Top	List Price
FS-902,3,4,6	82	12"x24"	2,3,4,6"	ductile iron	\$15,334.00
FS-902,3,4,6-1	82	12"x24"	2,3,4,6"	nickel bronze	19,622.00



Options for FS-900 Series

Suffix	Description	List Price	Suffix	Description	List Price
None	No Hub	No Add	-150	1/2 Grate	No Add
P	Push-On Outlet	No Add	-175	3/4 Grate	No Add
-FC	Flashing Clamp	\$912.00	-F4-1	4" Round Nickel Bronze Funnel	\$693.00
-5	SS Sediment Bucket	3,038.00	-F6-1	6" Round Nickel Bronze Funnel	1,013.00
-6	Vandal Proof	125.00	-G-1	4x9" Oval Nickel Bronze Funnel	1,414.00
-33	Less Grate	-3,416.00			



Consult factory for all applications outside of listed parameters.
Prices do not include applicable taxes.

Dead Level® Trench Drains

Table Of Contents

- Pictorial Index
- Dead Level® Features
- Design Considerations
- Gratings
- Load Classifications
- Configure & Order Dead Level
- Typical Configurations



Consult factory for all applications outside of listed parameters.
Prices do not include applicable taxes.

WATTS®

Dead Level® Trench Drains

Pictorial Index



Dead Level® BK
6" Wide SS Grating w/
Ductile Iron Frame



Dead Level® D
6" Wide Pre-Sloped
w/Ductile Iron Frame



Dead Level® P
6" Wide Pre-Sloped
w/Polypropylene Frame



Dead Level® DX
12" Wide Pre-Sloped
w/Ductile Iron Frame



Dead Level® S
6" Wide Deck Channel For
Cast in Place



Dead Level® Z
6" Wide Flanged Deck
Channel For Precast



Dead Level® DL-GF
6" Wide Grating
w/Ductile Iron Frame



Dead Level® DLP-GF
6" Wide Grating
w/Polypropylene Frame



Dead Level® DX-GF
12" Wide Grating
w/Ductile Iron Frame



Dead Level® Catch Basin
6"x24"x24" & 24"x24"x24"
Catch Basins

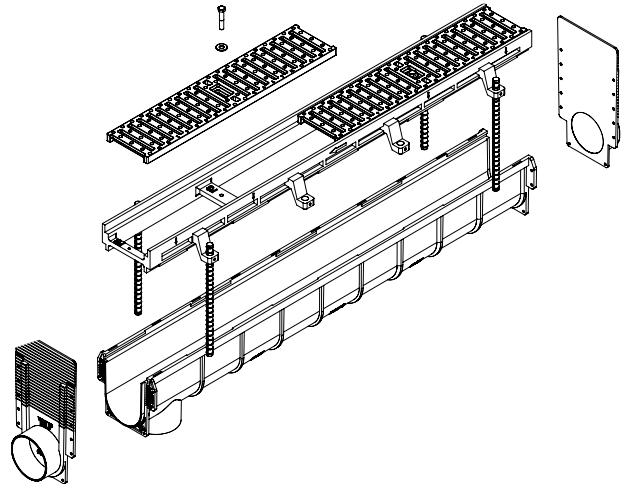


Consult factory for all applications outside of listed parameters.
Prices do not include applicable taxes.

Dead Level® Trench Drains

Dead Level® Features

Uniquely engineered,
Dead Level® installs and
performs like no other
trench drain system



Applications

Recommended for surface drainage in indoor or outdoor applications.

Superior materials

Chemical resistant, UV stabilized injection molded polypropylene channels. Standard ductile iron frames for heavy traffic, or durable polypropylene frames for moderate traffic.

Stability & structural strength

Channels lock longitudinally outside of the structural frame, and cannot pinch or fold in with the concrete pour. Concentrated and dynamic loads transfer directly from the frame to the slab, protecting channels from stress and loading failure.

Frame anchored design

Support anchors tie directly to the structural frame, not the channels. Straight, level installations are easily accomplished, with less risk of channel floating.

Solid connections

Flanged channel, end cap, and frame connections create proper joints and alignment. Pre-molded no hub outlets guarantee a solid connection to discharge piping.

Short & corner/tee sections

1' straight and combination corner/tee sections add flexibility on uneven runs, while eliminating difficult field cutting operations.

Maximum flow

.7% sloped channels, with radiused bottom and smooth interior generate maximum hydraulic flow.

Gratings for diverse commercial applications

Ductile iron, stainless steel, galvanized, polypropylene, and bronze gratings available to meet DIN 19580 Load Classifications A through F. Check product specifications for heel proof and ADA requirements.

Shipped with construction covers

Time-saving construction covers protect the grating, and keep channels free of debris during construction.

Design Considerations

Traffic

Vehicular or equipment traffic requires higher load classifications, depending upon the specific type of loading. In general, non-pneumatic wheels and high velocity traffic create the heaviest loads. Trench drains subject to pedestrian traffic may require heel proof or ADA compliant grating. Polypropylene grating should be specified in areas with barefoot traffic, particularly around swimming pools, where chlorine can attack stainless steel grating.

Flow & Outlets

Specific flow calculations are typically used for outdoor trench drain. Indoors, flushing is usually of primary concern, particularly in sanitary environments. Pre-sloped trench drain is designed to be self-flushing, although minimal flows or long travel to an outlet will reduce flushing action. A general recommendation is minimum one outlet every 80' outdoors, every 100' indoors.

Catch Basins

Catch basins should be used as a point to trap debris, transition flow from the trench drain to discharge piping, or as a junction box receiving multiple runs.

Cosmetics

Any cast iron or ductile iron surface should be expected to show rust, even with an applied coating. Metal grating specified in a high visibility area should be galvanized or stainless steel. Optional galvanized or stainless steel frame guards are specified to match the frame to the grating, and maintain a uniform appearance.

* See Watts Dead Level® Trench Drains catalogue for complete information.

Consult factory for all applications outside of listed parameters.

Prices do not include applicable taxes.

WATTS®

Dead Level® Trench Drains

Grating



Ductile Iron

8187063 DLG-DI12 12"
8187307 DLG-DI 24"



Galvanized Steel Slotted

8187346 DLG-GS12 12" 8187309 DLG-GS 48"
8187366 DLG-GS24 24"
8188706 DLG-GS36 36"



Galvanized Steel Perforated

8187347 DLG-GP12 12" 8187312 DLG-GP 48"
8187358 DLG-GP24 24"
8188705 DLG-GP36 36"



Stainless Steel Slotted

8187348 DLG-SS12 12" 8187308 DLG-SS 48"
8187368 DLG-SS24 24"
8188708 DLG-SS36 36"



Stainless Steel Perforated

8187349 DLG-SP12 12" 8189435 DLG-SP40 40"
8187369 DLG-SP24 24"
8188707 DLG-SP36 36"



Polypropylene Composite

8187370 DLG-PP12 12"
8187030 DLG-PP 24"



Decorative Bronze

8187425 DLG-BR 24"



Galvanized Ductile Iron

8187989 DLG-GDI12 12"



Ductile Iron ADA

8187611 DLG-DI12-ADA 12"
8187430 DLG-DI-ADA 24"



Solid Cast Iron

8185967 DLG-SCI 24"



Stainless Steel Brickslot

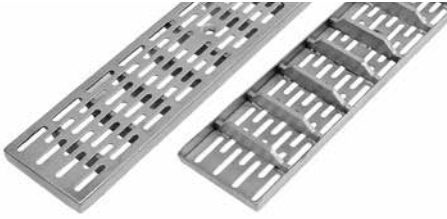
8189419 DLG-BK12 12"
8189003 DLG-BK24 24"
8189004 DLG-BK 48"



Consult factory for all applications outside of listed parameters.
Prices do not include applicable taxes.

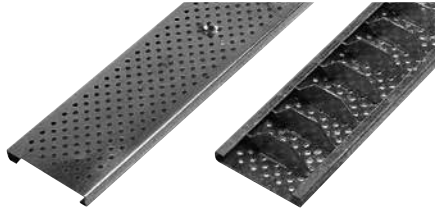
Dead Level® Trench Drains

Grating



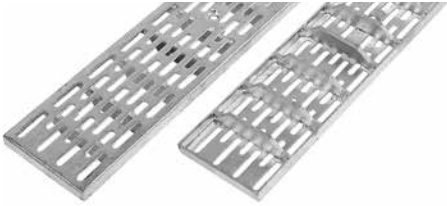
**Reinforced Galvanized
Steel Slotted**

8187350 DLG-RGS12 12" 8188720 DLG-RGS36 36"
8187367 DLG-RGS24 24" 8187314 DLG-RGS 48"



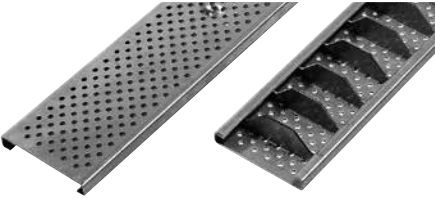
**Reinforced Galvanized
Steel Perforated**

8187351 DLG-RGP12 12" 8188722 DLG-RGP36 36"
8187406 DLG-RGP24 24" 8187316 DLG-RGP 48"



**Reinforced Stainless
Steel Slotted**

8187352 DLG-RSS12 12" 8188721 DLG-RSS36 36"
8187377 DLG-RSS24 24" 8187315 DLG-RSS 48"



**Reinforced Stainless
Steel Perforated**

8187353 DLG-RSP12 12" 8188723 DLG-RSP36 36"
8187382 DLG-RSP24 24" 8187317 DLG-RSP 48"

Dead Level® Trench Drains

Load Classifications

DIN 19580 / EN 1433 Load Classifications

Load Class Description



A Pedestrian areas, pavements, bicycle lanes, square, yard improvements, individual construction.



B Individual construction, private garages, gardens and parks, artificial landscape, private car parks.



C Pedestrian areas, waysides, parking areas, garages, car service stations, territory improvements.

Load Class Description



D Fuel filling stations, car washes, industrial areas, transport terminals, roads and automobile enterprises.



E Airports, highways, industrial companies, ports, fuel filling stations, transport terminals and storage terminals.



F Airport runways, industrial areas, transport terminals, structures with extreme loads on the road surface.

Dead Level P - Polypropylene Frame 6" Wide

Grating Suffix	Grating Desc.	Std. Length	DIN Class	ANSI Class	H-20 Compliant	ADA Compliant	Heel Proof	Open Area
BR	Decorative Bronze	24"	B	MD	N	Y	Y	30%
DI	Ductile Iron	24"	C*	HD*	N	N	N	30%
DI-ADA	Ductile Iron ADA	24"	C*	HD*	N	Y	Y	25%
GDI	Galvanized Ductile Iron	24"	C*	HD*	N	N	N	30%
PP	Polypropylene	24"	C	MD	N	Y	Y	15%
GP	Galvanized Perforated	48"	A	LD	N	Y	Y	15%
GS	Galvanized Slotted	48"	A	LD	N	Y	N	12%
RGP	Reinforced Galvanized Perforated	48"	C*	HD*	N	Y	Y	15%
RGS	Reinforced Galvanized Slotted	48"	C*	HD*	N	Y	Y	30%
SP	Stainless Steel Perforated	48"	A	LD	N	Y	Y	15%
SS	Stainless Steel Slotted	48"	A	LD	N	Y	Y	12%
RSP	Reinforced Stainless Steel Perforated	48"	C*	HD*	N	Y	Y	15%
RSS	Reinforced Stainless Steel Slotted	48"	C*	HD*	N	Y	Y	30%
SCI	Solid Cast Iron	24"	C*	HD*	N	Y	Y	0%

*Load Class E / ANSI Class XHD with Frame Guards

Dead Level D, S, Z - Ductile Iron Frame 6" Wide

Grating Suffix	Grating Desc.	Std. Length	DIN Class	ANSI Class	H-20 Compliant	ADA Compliant	Heel Proof	Open Area
BR	Decorative Bronze	24"	B	MD	N	Y	Y	30%
DI	Ductile Iron	24"	F	SD	Y	N	N	30%
DI-ADA	Ductile Iron ADA	24"	F	SD	Y	Y	Y	25%
GDI	Galvanized Ductile Iron	24"	F	SD	Y	N	N	30%
PP	Polypropylene	24"	C	MD	N	Y	Y	15%
GP	Galvanized Perforated	48"	A	LD	N	Y	Y	15%
GS	Galvanized Slotted	48"	A	LD	N	Y	N	12%
RGP	Reinforced Galvanized Perforated	48"	E	XHD	Y	Y	Y	15%
RGS	Reinforced Galvanized Slotted	48"	E	XHD	Y	Y	Y	30%
SP	Stainless Steel Perforated	48"	A	LD	N	Y	Y	15%
SS	Stainless Steel Slotted	48"	A	LD	N	Y	Y	12%
RSP	Reinforced Stainless Steel Perforated	48"	E	SD	Y	Y	Y	15%
RSS	Reinforced Stainless Steel Slotted	48"	E	SD	Y	Y	Y	30%
SCI	Solid Cast Iron	24"	F	SD	Y	Y	Y	0%

Dead Level® Trench Drains

Load Classifications

DIN 19580 / EN 1433 Load Classifications

Load Class Description



A Pedestrian areas, pavements, bicycle lanes, square, yard improvements, individual construction.



B Individual construction, private garages, gardens and parks, artificial landscape, private car parks.



C Pedestrian areas, waysides, parking areas, garages, car service stations, territory improvements.

Load Class Description



D Fuel filling stations, car washes, industrial areas, transport terminals, roads and automobile enterprises.



E Airports, highways, industrial companies, ports, fuel filling stations, transport terminals and storage terminals.



F Airport runways, industrial areas, transport terminals, structures with extreme loads on the road surface.

Dead Level DX - Ductile Iron Frame 12" Wide

Grating Suffix	Grating Desc.	Std. Length	DIN Class	ANSI Class	H-20 Compliant	ADA Compliant	Heel Proof	Open Area
DI	Ductile Iron	24"	F	SD	Y	N	N	40%
DI-ADA	Ductile Iron ADA	24"	F	SD	Y	Y	Y	30%
GDI	Galvanized Ductile Iron	24"	F	SD	Y	N	N	40%
RGP	Reinforced Galvanized Perforated	24"	E	XHD	Y	Y	Y	15%
RGS	Reinforced Galvanized Slotted	24"	E	XHD	Y	Y	Y	30%
RSP	Reinforced Stainless Steel Perforated	24"	E	SD	Y	Y	Y	15%
RSS	Reinforced Stainless Steel Slotted	24"	E	SD	Y	Y	Y	30%
SDI	Solid Ductile Iron	24"	F	SD	Y	Y	Y	0%

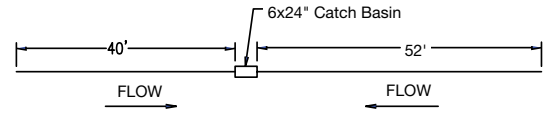
Catch Basins

Grating Suffix	Grating Desc.	Std. Length	DIN Class	ANSI Class	H-20 Compliant	ADA Compliant	Heel Proof	Open Area
6x24x24	See Dead Level P or Dead Level D - Same as Trench Drain Grating							
24x24x24	Ductile Iron	24"	F	SD	Y	Y	Y	40%
24x24x24	Stainless Steel	24"	F	SD	Y	Y	Y	30%

How to Configure & Order Dead Level® Trench System

1. Sketch General Layout

For each separate trench configuration show length(s), position of outlet(s), direction of flow(s), and position of catch basins (if required).



2. Specify Frame

Ductile Iron
Polypropylene

Ordering Code

D or DX
P

3. Specify Length in Feet

(Do not Include Catch Basins)

Numeric

4. Specify Outlet

Straight Run End Outlet
Straight Run Center Outlet
Other Configuration

EO
CO
XO

5. Specify Grating

Ductile Iron
ADA Ductile Iron
Galvanized Ductile Iron
Galvanized Steel Slotted
Galvanized Steel Perforated
Stainless Steel Slotted
Stainless Steel Perforated
Reinforced Galvanized Steel Slotted
Reinforced Galvanized Steel Perforated
Reinforced Stainless Steel Slotted
Reinforced Stainless Steel Perforated
Polypropylene

DI
DI-ADA
GDI
GS
GP
SS
SP
RGS
RGP
RSS
RSP
PP

6. Specify Catch Basin

(If Required)

6x24x24" Catch Basin
24x24x24" Catch Basin

B6
B24

7. Specify Frame Guards

(If Required)

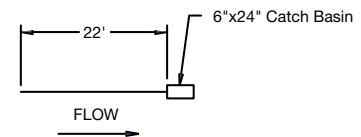
Galvanized Steel
Stainless Steel

FG
FS

8a. Configure Straight Run (EO or CO)

EX.

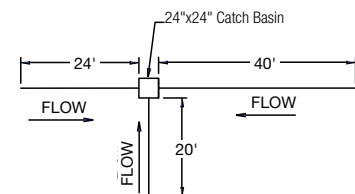
P22-EO-RSS-B6-FS
P = Polypropylene Frame
22 = Trench Length in Feet
EO = End Outlet
RSS = Reinforced Stainless Steel Slotted Grates
B6 = 6x24x24" Catch Basin
FS = Stainless Steel Frame Guard



8b. Configure Special Run (XO)

EX.

D84-XO-DI-B24
D = Ductile Iron Frame
84 = Trench Length in Feet
XO = Other Configuration (Provide Sketch or Describe)
DI = Ductile Iron Grates
B24 = 24x24x24" Catch Basin

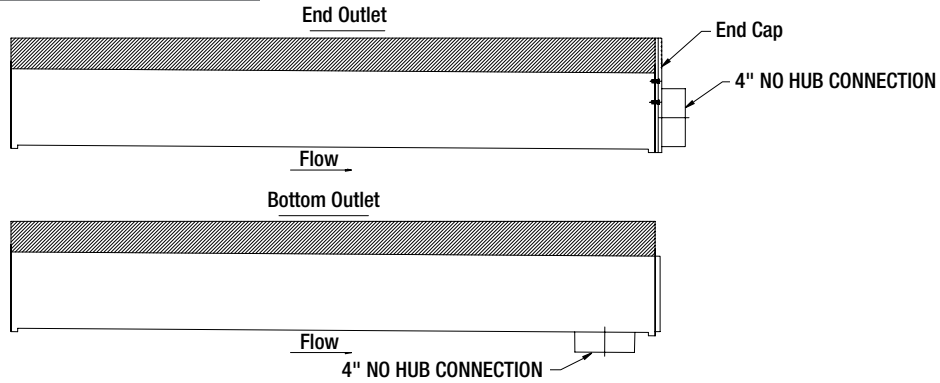


Consult factory for all applications outside of listed parameters.
Prices do not include applicable taxes.

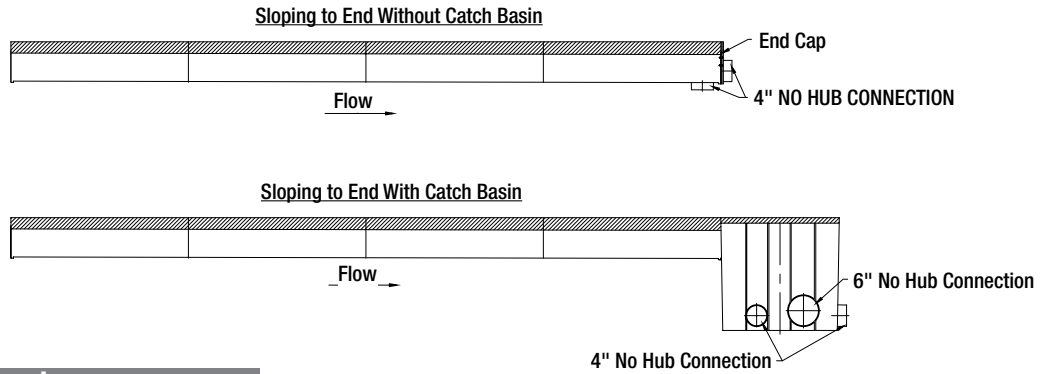
Dead Level® Trench Drains

Standard Configurations

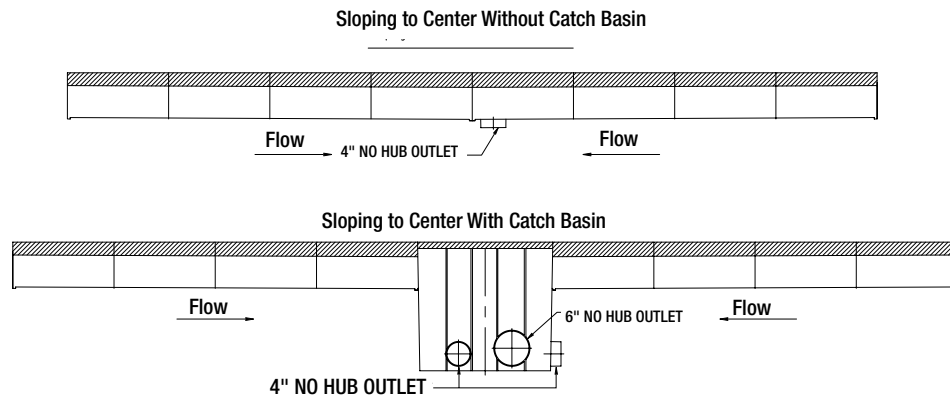
Outlet Variations



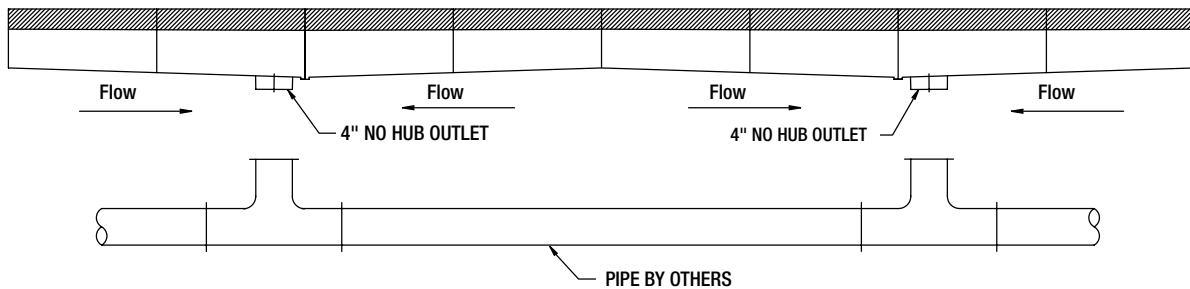
Sloping to End



Sloping to Center



Multiple Outlets

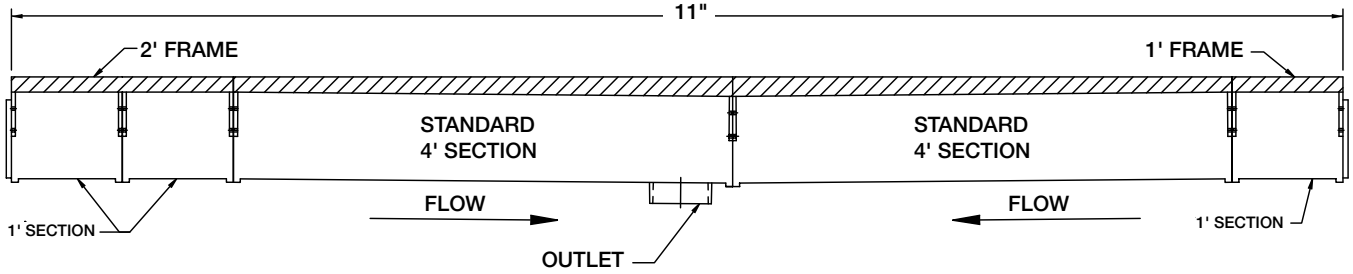


Dead Level® Trench Drains

Special Configurations

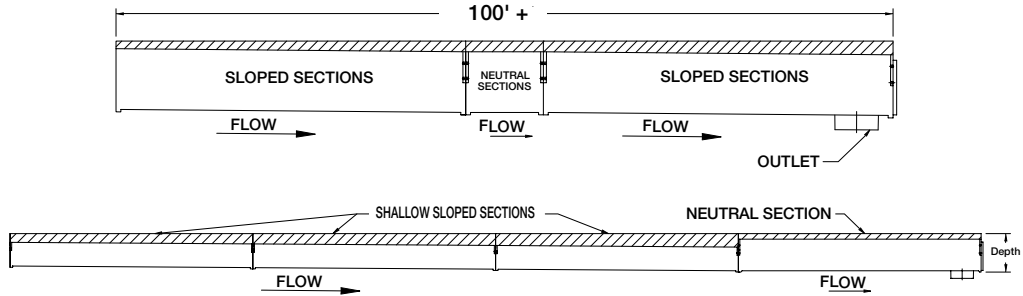
Use of Short Section

USE OF SHORT SECTIONS



Use of Neutral Channels

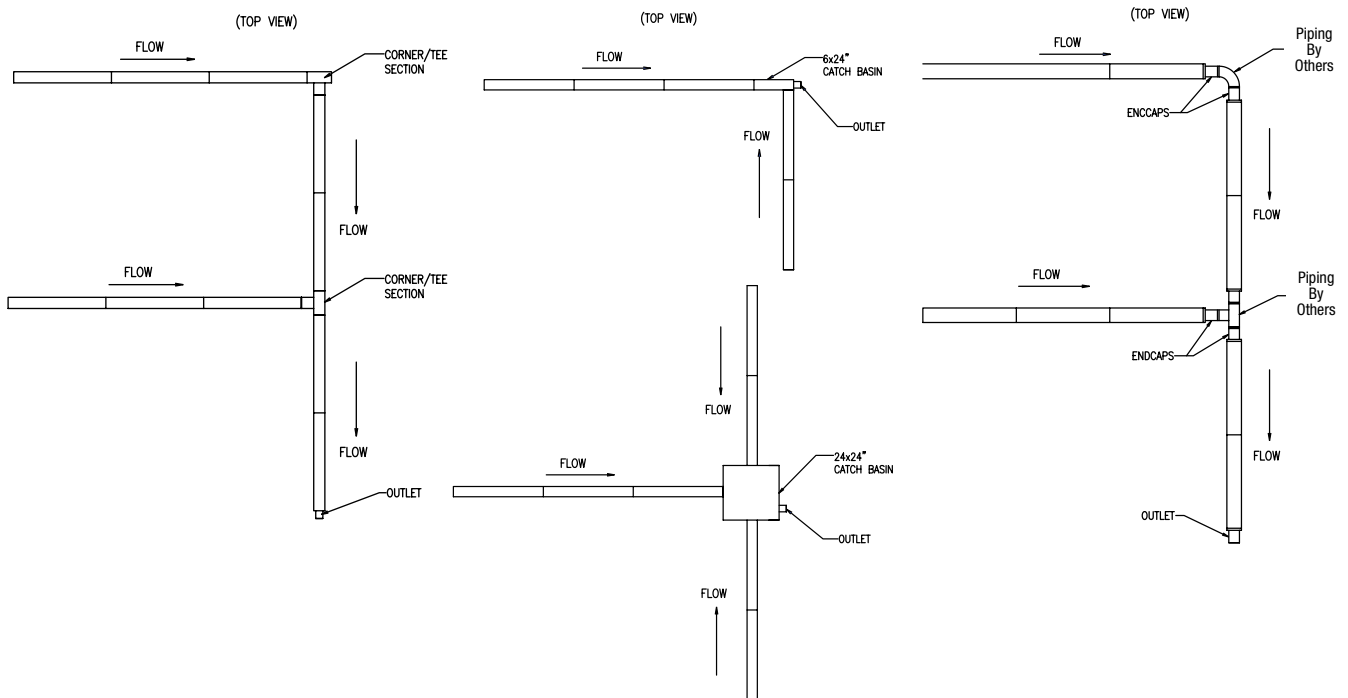
USE OF NEUTRAL CHANNELS
EXTEND RUN BEYOND 100'



Use of Corner & Tee Section

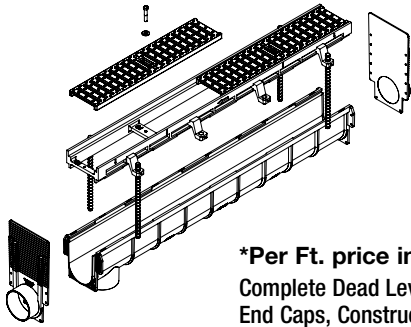
Corner or Tee w/Catch Basin

Piped Corners and Tees



Consult factory for all applications outside of listed parameters.
Prices do not include applicable taxes.

Dead Level® 6" Wide Pre-Sloped Trench Drain



***Per Ft. price includes:**

Complete Dead Level® System with Channels, Frames, Grates, Lockdowns, Frame Connectors, End Caps, Construction Covers, 10 Channel Clips per run and Hardware as Required. (Additional Channel Clips may be ordered. See pricing below)

System Pricing	
Dead Level D w/Ductile Iron Frame Grating Type	List Price Per Ft.*
BK - Brickslot	\$1,405.00
BK-AC12 Brickslot Access Cover	2,648.00
BR - Decorative Bronze	1,407.00
DI - Ductile Iron	1,033.00
DI-ADA - ADA Ductile Iron	1,101.00
GDI - Galvanized Ductile Iron	1,222.00
GS - Galvanized Slotted	895.50
GP - Galvanized Perforated	895.50
SS - Stainless Slotted	1,326.00
SP - Stainless Perforated	1,326.00
RGS - HD Galvanized Slotted	1,054.00
RGP - HD Galvanized Perforated	1,054.00
RSS - HD Stainless Slotted	1,477.00
RSP - HD Stainless Perforated	1,477.00
PP - Polypropylene	1,136.00
SCI - Solid Cast Iron	1,136.00
LG - Less Grate	748.50

System Pricing	
Dead Level P w/Polypropylene Frame Grating Type	List Price Per Ft.*
BK - Brickslot	\$1,257.00
BK-AC12 Brickslot Access Cover	2,503.00
BR - Decorative Bronze	1,230.00
DI - Ductile Iron	853.00
DI-ADA - ADA Ductile Iron	923.50
GDI - Galvanized Ductile Iron	1,043.00
GS - Galvanized Slotted	720.00
GP - Galvanized Perforated	720.00
SS - Stainless Slotted	1,148.00
SP - Stainless Perforated	1,148.00
RGS - HD Galvanized Slotted	876.50
RGP - HD Galvanized Perforated	876.50
RSS - HD Stainless Slotted	1,300.00
RSP - HD Stainless Perforated	1,300.00
PP - Polypropylene	691.50
SCI - Solid Cast Iron	958.50
LG - Less Grate	575.50

Channel Clips Order #	List Price Each
8189227	\$46.75



Catch Basins	Description	List Price Per Unit
CB-624D	6x24x24 Catch Basin w/DI Frame	\$2,650.00
CB-624P	6x24x24 Catch Basin w/PP Frame	2,650.00
CB-624D-T	6x24x24 Catch Basin w/DI Frame, Trash Basket	2,851.00
CB-624P-T	6x24x24 Catch Basin w/PP Frame, Trash Basket	2,851.00
CB-2424	24x24x24 Catch Basin w/DI Grate	7,274.00
CB-2424T	24x24x24 Catch Basin w/DI Grate, Trash Basket	8,729.00
CB-2424-RGS	24x24x24 Catch Basin w/Galv. Grate	14,413.00
CB-2424T-RGS	24x24x24 Catch Basin w/Galv. Grate, Trash Basket	15,870.00
CB-2424-SS	24x24x24 Catch Basin w/SS Grate	15,347.00
CB-2424T-SS	24x24x24 Catch Basin w/SS Grate, Trash Basket	17,718.00



Frame Guards	Description	Adder Per Ft.
FG-BR	Decorative Bronze	\$477.00
FG-GV	Galvanized Steel	130.50
FG-SS	Stainless Steel	386.00



Consult factory for all applications outside of listed parameters.
Prices do not include applicable taxes.



Dead Level® DX 12" Wide Pre-Sloped Trench Drain



***Per Ft. price includes:**

Complete Dead Level® System with Channels, Frames, Grates, Lockdowns, Frame Connectors, End Caps, Construction Covers, and Hardware as Required.

System Pricing	
Dead Level DX w/Ductile Iron Frame Grating Type	List Price Per Ft.*
DI - Ductile Iron	\$2,235.00
DI-ADA - ADA Ductile Iron	2,382.00
GDI - Galvanized Ductile Iron	2,648.00
RGP - HD Galvanized Perforated	2,331.00
RGS - HD Galvanized Slotted	2,331.00
RSP - HD Stainless Perforated	3,207.00
RSS - HD Stainless Slotted	3,207.00
SDI - Solid Ductile Iron	2,488.00
LG - Less Grate	1,540.00



Catch Basins	Description	List Price Per Unit
CB-2424	24x24x24 Catch Basin w/DI Grate	\$7,274.00
CB-2424T	24x24x24 Catch Basin w/DI Grate, Trash Basket	8,729.00
CB-2424-RGS	24x24x24 Catch Basin w/Galvanized Grate	14,413.00
CB-2424T-RGS	24x24x24 Catch Basin w/Galvanized Grate, Trash Basket	15,870.00
CB-2424-SS	24x24x24 Catch Basin w/SS Grate	15,347.00
CB-2424T-SS	24x24x24 Catch Basin w/SS Grate, Trash Basket	17,718.00

Frame Guards	Description	Adder Per Ft.
-FGX-GV	Galvanized Steel	\$130.50
-FGX-SS	Stainless Steel	386.00



Dead Level® Deck Channels

Dead Level® S 6" Wide Deck Channel For Cast in Place

System Pricing	
Grating Type	List Price Per Ft.*
BK - Brickslot	\$1,405.00
BK-AC12 Brickslot Access Cover	2,648.00
BR - Decorative Bronze	1,407.00
DI - Ductile Iron	1,033.00
DI-ADA Ductile Iron ADA	1,103.00
GDI Galvanized Ductile Iron	1,222.00
GP Galvanized Perforated	895.50
GS Galvanized Slotted	895.50
SP Stainless Steel Perforated	1,326.00
SS Stainless Steel Slotted	1,326.00
RGP Reinforced Galvanized Perforated	1,056.00
RGS Reinforced Galvanized Slotted	1,056.00
RSP Reinforced Stainless Steel Perforated	1,477.00
RSS Reinforced Stainless Steel Slotted	1,477.00
PP Polypropylene	895.50
SCI Solid Cast Iron	1,136.00
LG Less Grate	748.50



*Per Ft. price includes:
Complete Dead Level® System with Channels, Frames, Grates, Lockdowns, Frame Connectors, End Caps, Construction Covers, and Hardware as Required.

Frame Guards	Description	Adder Per Ft.
FG-BR	Decorative Bronze	\$477.00
FG-GV	Galvanized Steel	130.50
FG-SS	Stainless Steel	386.00

Dead Level® Z 6" Wide Flanged Deck Channel For Precast

System Pricing	
Grating Type	List Price Per Ft.*
DI - Ductile Iron	\$1,033.00
DI-ADA Ductile Iron ADA	1,103.00
GDI Galvanized Ductile Iron	1,222.00
RGP HD Galvanized Perforated	1,056.00
RGS HD Galvanized Slotted	1,056.00
RSP HD Stainless Perforated	1,477.00
RSS HD Stainless Slotted	1,477.00



*Per Ft. price includes:
Complete Dead Level® System with Channels, Frames, Grates, Lockdowns, Frame Connectors, End Caps, Construction Covers, and Hardware as Required.

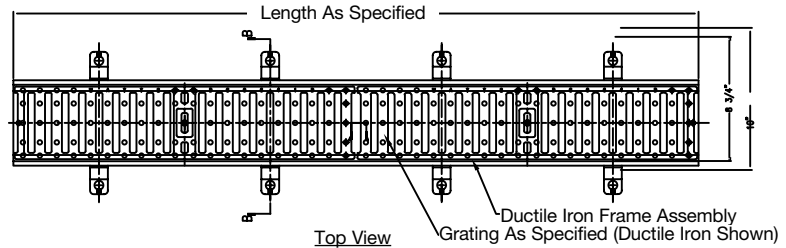
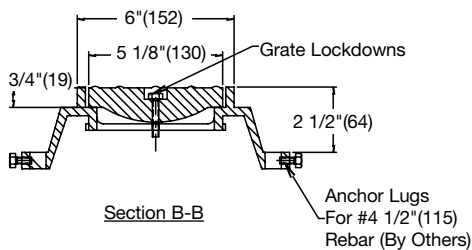
Frame Guards	Description	Adder Per Ft.
FG-BR	Decorative Bronze	\$477.00
FG-GV	Galvanized Steel	130.50
FG-SS	Stainless Steel	386.00

Dead Level® 6" Wide Grate & Frame

DL-GF

6" Wide Ductile Iron Trench Frame & Grating

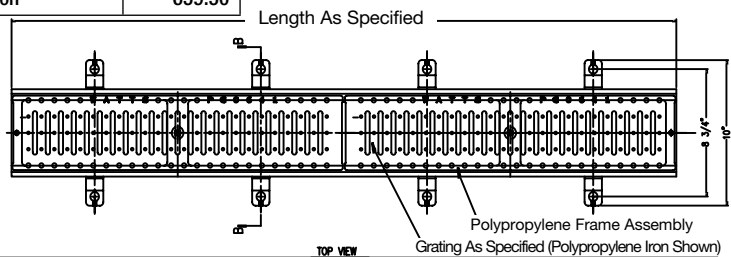
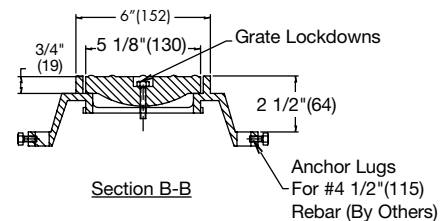
Model Number	Weight (lbs.)	Frame	Grating	List Price Per Ft.
DL-GF-BR	14 lbs./ft.	ductile iron	decorative bronze	\$1,106.00
DL-GF-DI	16 lbs./ft.	ductile iron	ductile iron	729.50
DL-GF-DI-ADA	16 lbs./ft.	ductile iron	ductile iron ADA	800.50
DL-GF-GDI	16 lbs./ft.	ductile iron	galvanized ductile iron	918.50
DL-GF-GP	11 lbs./ft.	ductile iron	galvanized perforated	598.00
DL-GF-GS	11 lbs./ft.	ductile iron	galvanized slotted	598.00
DL-GF-RGP	12 lbs./ft.	ductile iron	reinforced galvanized perforated	754.50
DL-GF-RGS	12 lbs./ft.	ductile iron	reinforced galvanized slotted	754.50
DL-GF-SP	11 lbs./ft.	ductile iron	stainless steel perforated	1,026.00
DL-GF-SS	11 lbs./ft.	ductile iron	stainless steel slotted	1,026.00
DL-GF-RSP	12 lbs./ft.	ductile iron	reinforced stainless steel perforated	1,178.00
DL-GF-RSS	12 lbs./ft.	ductile iron	reinforced stainless steel slotted	1,178.00
DL-GF-SCI	17 lbs./ft.	ductile iron	solid cast iron	836.00



DLP-GF

6" Wide Polypropylene Trench Frame & Grating

Model Number	Weight (lbs.)	Frame	Grating	List Price Per Ft.
DLP-GF-BR	6 lbs./ft.	polypropylene	decorative bronze	\$930.00
DLP-GF-DI	8 lbs./ft.	polypropylene	ductile iron	556.00
DLP-GF-DI-ADA	8 lbs./ft.	polypropylene	ductile iron ADA	624.00
DLP-GF-GDI	8 lbs./ft.	polypropylene	galvanized ductile iron	744.00
DLP-GF-GP	3 lbs./ft.	polypropylene	galvanized perforated	423.00
DLP-GF-GS	3 lbs./ft.	polypropylene	galvanized slotted	423.00
DLP-GF-PP	3 lbs./ft.	polypropylene	polypropylene	423.00
DLP-GF-RGP	4 lbs./ft.	polypropylene	reinforced galvanized perforated	579.00
DLP-GF-RGS	4 lbs./ft.	polypropylene	reinforced galvanized slotted	712.00
DLP-GF-SP	3 lbs./ft.	polypropylene	stainless steel perforated	849.00
DLP-GF-SS	3 lbs./ft.	polypropylene	stainless steel slotted	849.00
DLP-GF-RSP	4 lbs./ft.	polypropylene	reinforced stainless steel perforated	1,001.00
DLP-GF-RSS	4 lbs./ft.	polypropylene	reinforced stainless steel slotted	1,001.00
DLP-GF-SCI	9 lbs./ft.	polypropylene	solid cast iron	659.50



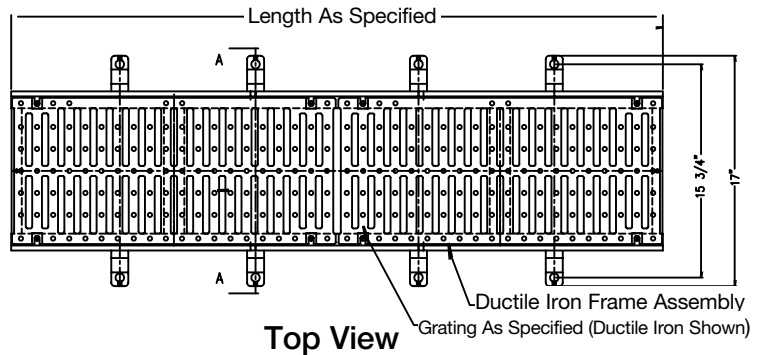
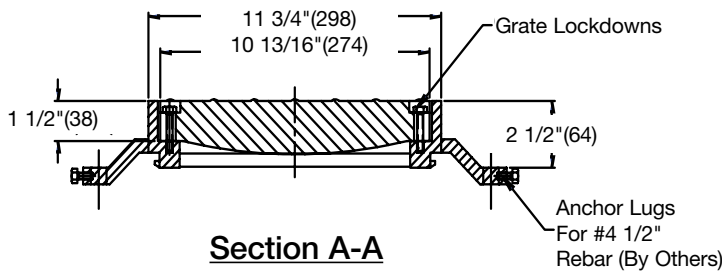
Frame Guards	Description	Adder Per Ft.
FG-BR	Decorative Bronze	\$477.00
FG-GV	Galvanized Steel	130.50
FG-SS	Stainless Steel	386.00

WATTS® Consult factory for all applications outside of listed parameters.
Prices do not include applicable taxes.

Dead Level® 12" Wide Grate & Frame

DX-GF 12" Wide Ductile Iron Trench Frame & Grating

Model Number	Weight (lbs./ft.)	Frame	Grating	List Price Per Ft.
DX-GF-DI	32 lbs./ft.	ductile iron	ductile iron	\$1,426.00
DX-GF-DI-ADA	32 lbs./ft.	ductile iron	ductile iron ADA	1,573.00
DX-GF-GDI	32 lbs./ft.	ductile iron	galvanized ductile iron	1,841.00
DX-GF-RGP	22 lbs./ft.	ductile iron	reinforced galvanized perforated	1,521.00
DX-GF-RGS	22 lbs./ft.	ductile iron	reinforced galvanized slotted	1,521.00
DX-GF-RSP	22 lbs./ft.	ductile iron	reinforced stainless steel perforated	2,400.00
DX-GF-RSS	22 lbs./ft.	ductile iron	reinforced stainless steel slotted	2,400.00
DX-GF-SCI	33 lbs./ft.	ductile iron	solid ductile iron	1,682.00



Frame Guards	Description	Adder Per Ft.
FG-BR	Decorative Bronze	\$477.00
FG-GV	Galvanized Steel	130.50
FG-SS	Stainless Steel	386.00

Green Roof Drains

Table Of Contents

- Pictorial Index
- Recommendations
- Green Roof Drainage
 - Placement & Sizing
 - Materials
 - Pipe Connections
 - Commonly Specified Options
 - Typical Installations



Green Roof Drains

Pictorial Index



GRD-610
Green Roof Large
Planter Drain



GRD-610-W
Green Roof Large
Planter Overflow Drain



GRD-620
Green Roof Plaza Area
Drain



GRD-630
Green Roof Intensive
Area Drain



GRD-640
Green Roof Metered
Overflow Drain



GRD-650
Green Roof Multi-Level
Planter Drain



GRD-670
Green Roof Drain
w/Auxiliary Inlet



GRD-680
Green Roof Planter Drain
with Traffic Grate



GRD-690
Green Roof Shallow
Planter Drain



GRD-730
Green Roof Large Multi-
Level Planter Drain

Green Roof Drains

Recommendations

Application

Application	Product
Extensive Area Primary.....	GRD-650, GRD-610
Intensive Area Primary.....	GRD-630
Maintenance Walkway.....	GRD-680
Multi-Level.....	GRD-650, GRD-730
Overflow.....	GRD-610-W, GRD-640
Planting Area Primary.....	GRD-610, GRD-670
Plaza Area.....	GRD-620

Product

Green Roof Drainage

Drainage is a critical aspect of green roof design and construction. Excessive accumulation of water in planting mediums can add considerable weight to a roof structure, creating a potentially hazardous condition.

Extensive green roof systems are comprised of grasses and vegetation requiring minimum or no maintenance. These systems typically have a soil depth of approx. 6", and an overall build-up of 12" or less above the structural roof.

Intensive green roof systems generally have a much deeper soil depth, and can incorporate bushes, trees, shrubs, and other decorative plants. Extensive green roof systems are designed to be regularly visited and maintained. Properly designed drainage is critical to ensure efficient water removal, and keep vegetation from interfering with drains.

Placement & Sizing

Refer to standard Roof Drain Placement & Sizing on p.100.

Materials

Cast iron epoxy coated*

Industrial grade cast iron, finished with Watts gray acid resistant epoxy coating.

*Note: * Watts Drainage standard epoxy coating is designed for interim protection of iron components during processing, shipping, and construction. It is not intended to protect surfaces subject to traffic, or environmental conditions. Exposed iron surfaces should be expected to show surface oxidation (rusting) after a short period of time.*

Domes

Standard non-rusting aluminum, covered with type 304 stainless steel mesh.

Perforated ABS

Standard 4" sch. 40 pipe size with 1/2" dia. perforations.

Perforated stainless steel

20 gauge, 3/8" dia. perforations, in accordance with ASTM-351-Grade CF8 (Type 304) standard specification.

Pipe Connections

No hub (standard)

Butt connection using a no hub or neoprene coupling. Suitable for cast iron, plastic, and most other piping applications.

Push-on (-P)

ASTM C-564 gasket connection, with pipe stop. Suitable for no hub service weight cast iron, sch. 40 plastic, and steel pipe. Not recommended for above grade.

Inside caulk (-X)

Used for lead and oakum joints, pipe is inserted through a caulk ring on the drain outlet.

PVC (-60) or ABS (-61) socket

For direct solvent weld connection to sch. 40 plastic pipe.

Threaded (-THD)

Female threaded outlet for connection to IPS threaded pipe.



Consult factory for all applications outside of listed parameters.
Prices do not include applicable taxes.

Green Roof Drains

Green Roof Drainage

Commonly Specified Options

-13 Galvanized body and flashing clamp

Standard zinc galvanizing, typically specified in coastal environments.

-B Sump Receiver

Receives roof drain flange for installation flush with the roof deck, eliminating stress on the roofing membrane, and potential puddling around the drain.

-D Underdeck Clamp

Install on the underside of the roof deck, securely fastens the roof drain to the deck.

-F Deck Flange / Adjustable Extension

10 ga. zinc plated steel flange creates a structurally sound mounting surface over the roof penetration, and enables the drain to be elevated to the insulation height. *Note: a separate sump receiver is not required when a drain is specified with -F Deck Flange / Adjustable Extension.*

-L Vandal Proof Dome

Dome secured with Allen head bolts.

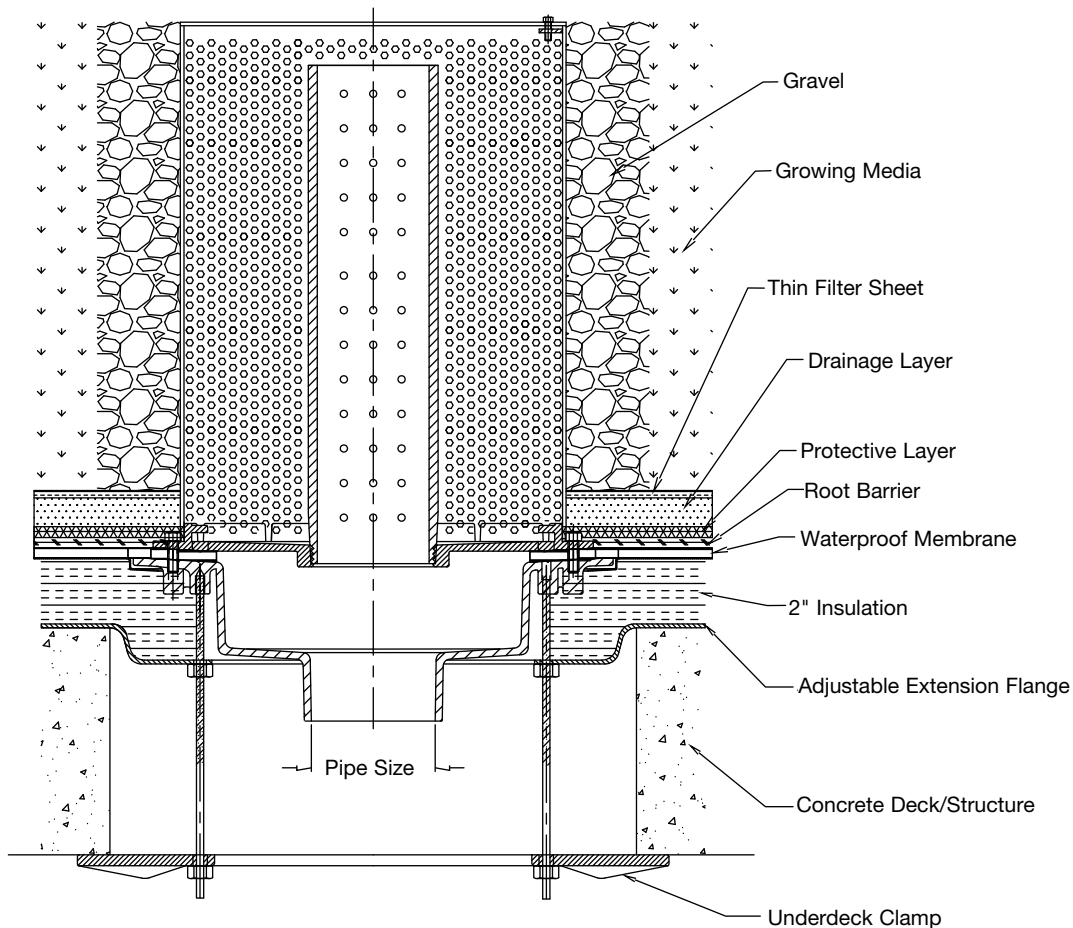
-US Buy American Compliant

Product will be supplied with minimum 51% domestic content, in compliance with FAR 52.225-9 Buy American Act.

Typical Installations

GRD-630

INTENSIVE AREA



Consult factory for all applications outside of listed parameters.

Prices do not include applicable taxes.

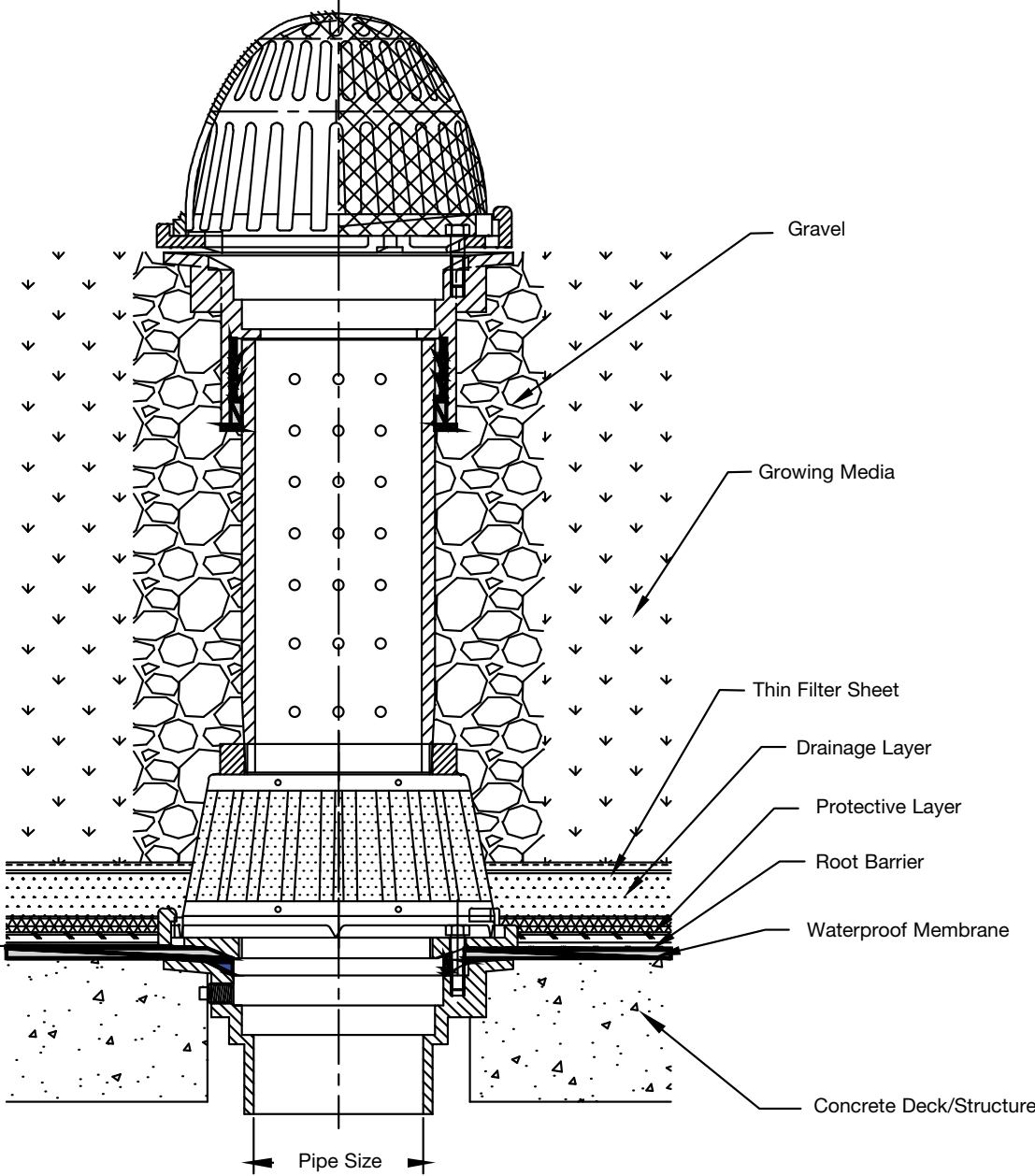


Green Roof Drains

Typical Installations

GRD-650

MULTI-LEVEL PLANTING AREA



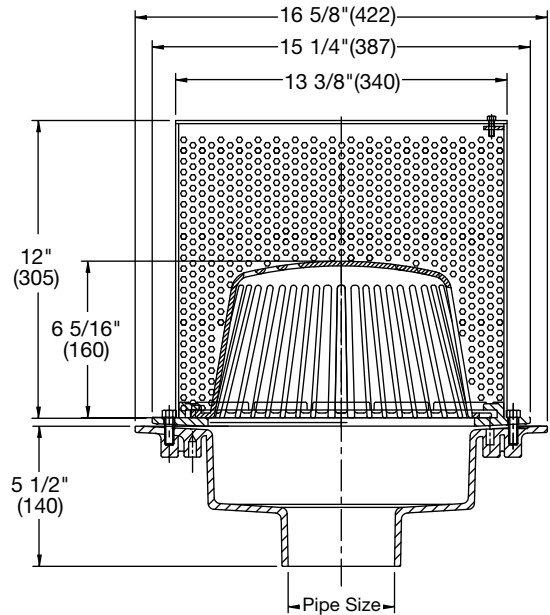
Consult factory for all applications outside of listed parameters.
Prices do not include applicable taxes.

Green Roof Drains

GRD-610

Green Roof Large Planter Drain

Model Number	Outlet Size	WT., lbs.	List Price
GRD-612, 3, 4, 5, 6, 8, 10	2,3,4,5,6,8,10"	32	\$3,840.00



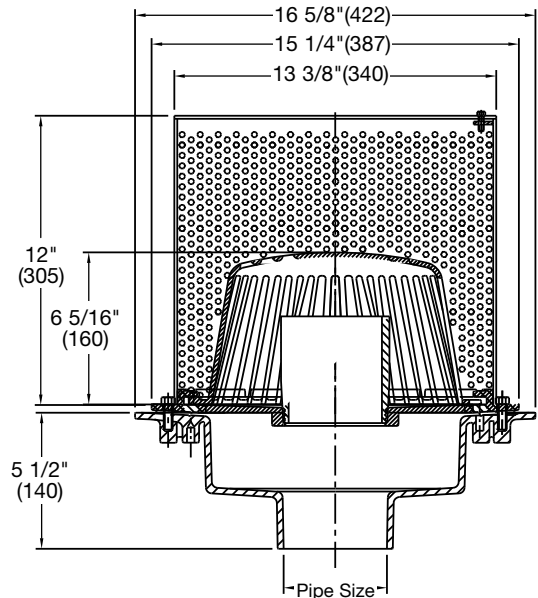
Options for GRD-610

Suffix	Description	List Price
-13	Galvanized Body & Clamp	\$1,548.00
-B	Sump Receiver	436.00
-D	Underdeck Clamp	391.00
-F	Deck Flange/Adj. Extension	1,067.00

GRD-610-W

Green Roof Large Planter Overflow Drain

Model Number	Outlet Size	WT., lbs.	List Price
GRD-612, 3, 4, 5, 6, 8, 10-W	2,3,4,5,6,8,10"	37	\$4,450.00



Options for GRD-610-W

Suffix	Description	List Price
-13	Galvanized Body & Clamp	\$1,548.00
-B	Sump Receiver	436.00
-D	Underdeck Clamp	391.00
-F	Deck Flange/Adj. Extension	1,067.00
-W2	2" Internal Standpipe	No Add

Consult factory for all applications outside of listed parameters.

Prices do not include applicable taxes.

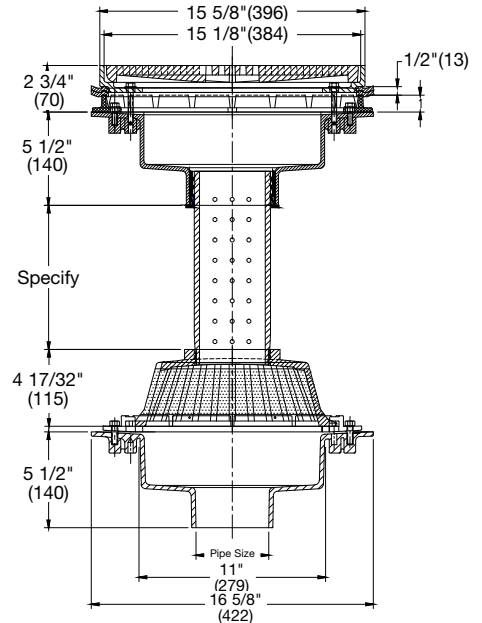


Green Roof Drains

GRD-620

Green Roof Plaza Area Drain

Model Number	Outlet Size	Grate	WT., lbs.	List Price
GRD-622, 3, 4, 5, 6, 8, 10	2,3,4,5,6,8,10"	nickel bronze	130	\$6,821.00



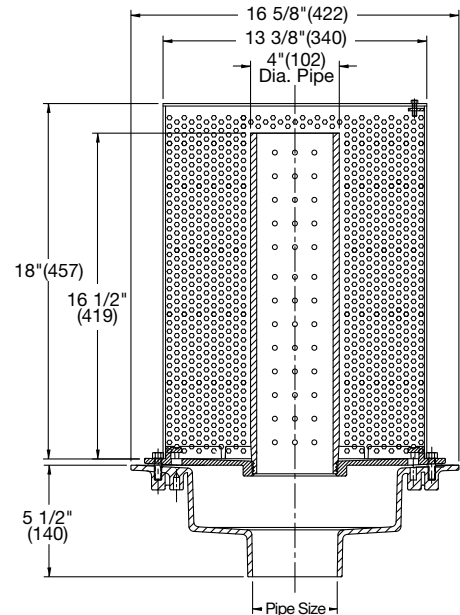
Options for GRD-620

Suffix	Description	List Price	Suffix	Description	List Price
-5	Sediment Bucket	\$416.00	-B	Sump Receiver	\$436.00
-6	Vandal Proof	239.00	-D	Underdeck Clamp	391.00
-13	Galvanized Body & Clamp	3,100.00	-F	Deck Flange/Adj. Extension	1,067.00

GRD-630

Green Roof Intensive Area Drain

Model Number	Outlet Size	WT., lbs.	List Price
GRD-632, 3, 4, 5, 6, 8, 10	2,3,4,5,6,8,10"	34	\$4,608.00



Options for GRD-630

Suffix	Description	List Price
-13	Galvanized Body & Clamp	\$1,548.00
-B	Sump Receiver	436.00
-D	Underdeck Clamp	391.00
-F	Deck Flange/Adj. Extension	1,067.00



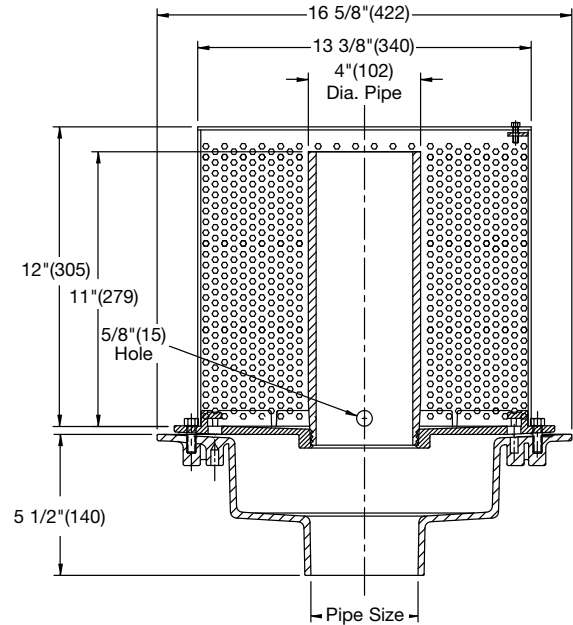
Consult factory for all applications outside of listed parameters.
Prices do not include applicable taxes.

Green Roof Drains

GRD-640

Green Roof Metered Overflow Drain

Model Number	Outlet Size	WT., lbs.	List Price
GRD-642, 3, 4, 5, 6, 8, 10	2,3,4,5,6,8,10"	37	\$3,622.00



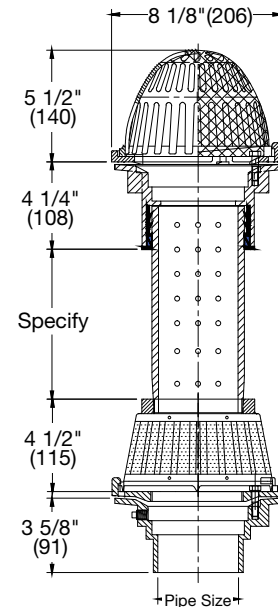
Options for GRD-640

Suffix	Description	List Price
-13	Galvanized Body & Clamp	\$1,548.00
-B	Sump Receiver	436.00
-D	Underdeck Clamp	391.00
-F	Deck Flange/Adj. Extension	1,067.00

GRD-650

Green Roof Multi-Level Planter Drain

Model Number	Outlet Size	WT., lbs.	List Price
GRD-652, 3, 4	2,3,4,"	29	\$3,459.00



Options for GRD-650

Suffix	Description	List Price	Suffix	Description	List Price
-5	Sediment Bucket	\$225.00	-D	Underdeck Clamp	\$241.50
-6	Vandal Proof	239.00	-F	Deck Flange/Adj. Extension	808.50
-13	Galvanized Body & Clamp	639.00	-S0	Side Outlet	355.00
-B	Sump Receiver	416.00			

Consult factory for all applications outside of listed parameters.

Prices do not include applicable taxes.

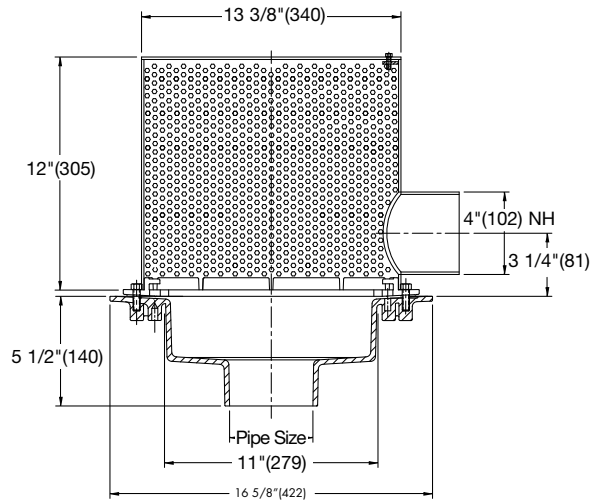


Green Roof Drains

GRD-670

Green Roof Drain w/Auxiliary Inlet

Model Number	Outlet Size	WT., lbs.	List Price
GRD-672, 3, 4, 5, 6, 8, 10	2,3,4,5,6,8,10"	38	\$6,039.00



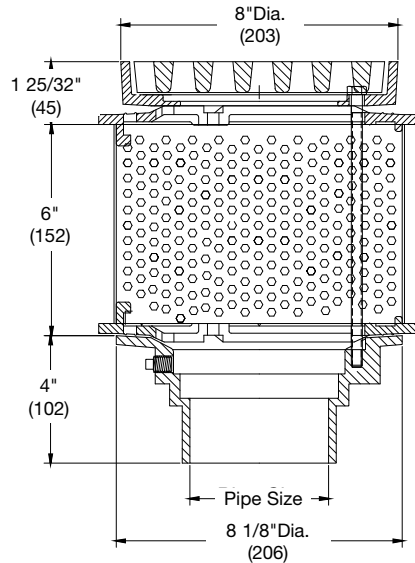
Options for GRD-670

Suffix	Description	List Price
-13	Galvanized Body & Clamp	\$1,548.00
-B	Sump Receiver	436.00
-D	Underdeck Clamp	391.00
-F	Deck Flange/Adj. Extension	1,067.00
-Q	Additional Inlet(s)	416.00 ea.

GRD-680

Green Roof Planter Drain w/ Traffic Grate

Model Number	Outlet Size	Grate	WT., lbs.	List Price
GRD-682, 3, 4,	2,3,4,"	ductile iron	22	\$3,297.00



Options for GRD-680

Suffix	Description	List Price	Suffix	Description	List Price
-1	All Nickel Bronze Top	\$993.50	-D	Underdeck Clamp	\$241.50
-6	Vandal Proof	239.00	-F	Deck Flange/Adj. Extension	808.50
-13	Galvanized Body & Clamp	639.00	-SO	Side Outlet	355.00
-B	Sump Receiver	416.00			



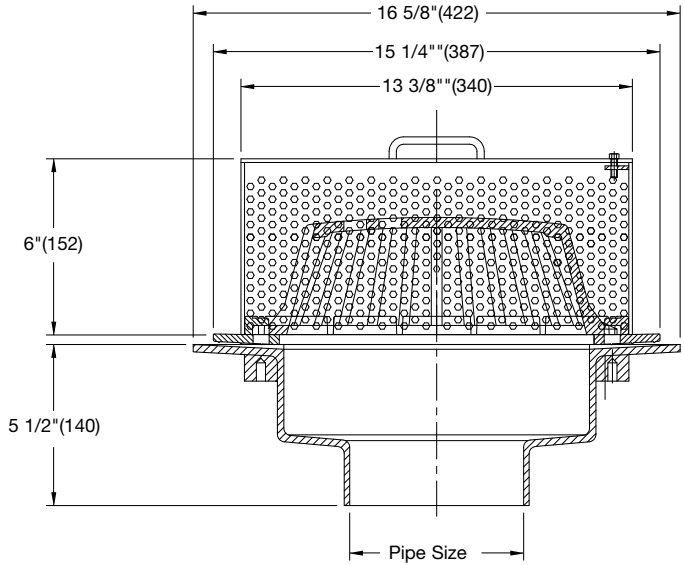
Consult factory for all applications outside of listed parameters.
Prices do not include applicable taxes.

Green Roof Drains

GRD-690

Green Roof Shallow Planter Drain

Model Number	Outlet Size	WT., lbs.	List Price
GRD-692, 3, 4, 5, 6, 8, 10	2,3,4,5,6,8,10"	34	\$4,029.00



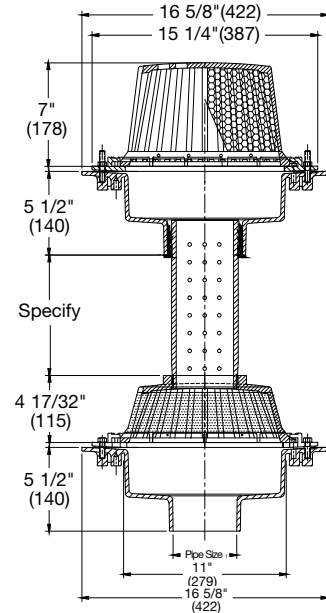
Options for GRD-690

Suffix	Description	List Price
-13	Galvanized Body & Clamp	\$1,548.00
-B	Sump Receiver	436.00
-D	Underdeck Clamp	391.00
-F	Deck Flange/Adj. Extension	1,067.00

GRD-730

Green Roof Large Multi-Level Planter Drain

Model Number	Outlet Size	WT., lbs.	List Price
GRD-732, 3, 4, 5, 6, 8, 10	2,3,4,5,6,8,10"	74	\$4,508.00



Options for GRD-730

Suffix	Description	List Price
-5	Sediment Bucket	\$416.00
-6	Vandal Proof	239.00
-13	Galvanized Body & Clamp	3,100.00
-B	Sump Receiver	436.00
-D	Underdeck Clamp	391.00
-F	Deck Flange/Adj. Extension	1,067.00

Consult factory for all applications outside of listed parameters.

Prices do not include applicable taxes.



Roof Drains

Table Of Contents

- Pictorial Index
- Product Recommendations
- Roof Drain Selection Factors
 - Placement
 - Sizing
 - Materials
 - Pipe Connections
 - Commonly Specified Options
- Typical Installations



Roof Drains

Pictorial Index



RD-100
Roof Drain



RD-100-85
IRMA
Roof Drain



RD-100-CP
Roof Drain with
12" x 12" Promenade Top



RD-100-CP-85
IRMA Roof Drain
w/12"x12" Promenade Top



RD-100-F
Roof Drain w/Deck
Flange/Adj. Extension



RD-100-R
Roof Drain with
2 in. External Water Dam



RD-100-SO
Roof Drain with Side Outlet



RD-100-W
Roof Drain with 4"
Internal Standpipe



RD-200
Small Area Roof Drain



RD-200-CP
Small Area Roof Drain with
Promenade Top



RD-200-CP-85
IRMA Roof Drain with 8 in.
Promenade Top



RD-200-R
Small Area Roof Drain with
2 in. External Water Dam



RD-200-SO
Side Outlet Roof Drain



RD-200-W
Small Area Roof Drain with
4" Internal Standpipe



RD-230
Side Outlet Balcony Drain



RD-240
Bottom Outlet Balcony
Drain

Consult factory for all applications outside of listed parameters.
Prices do not include applicable taxes.

WATTS®

Roof Drains

Pictorial Index



RD-250
One-Piece Combination
Roof Drain



RD-260
Combination Roof Drain &
Secondary Overflow



RD-270
Scupper Drain with Angle
Grate



RD-280
Flanged Cast Iron
Roof Drain



RD-280-SO
Flanged Cast Iron Roof
Drain with Side Outlet



RD-290
Scupper Drain
w/Flat Grate



RD-300
High Volume Roof Drain



RD-300-AC
Adj. Ext. Compression
Seal Roof Drain



RD-300-AE
Adj. Ext. Threaded
Seal Roof Drain



RD-300-85
High Volume
IRMA Roof Drain



RD-300-CP15
Roof Drain with 15 x15 in.
Promenade Top



RD-300-CP15-85
IRMA Roof Drain
w/15"x15" Promenade Top



RD-300-F
High Volume Roof Drain w/
Deck Flange/Adj. Extension



RD-300-R
High Volume Roof Drain w/
2 in. External Water Dam



RD-300-W
High Volume Roof Drain
w/4 in. Internal Standpipe



RD-350-F2
Combination Primary &
Overflow Roof Drain



Consult factory for all applications outside of listed parameters.
Prices do not include applicable taxes.

Roof Drains

Pictorial Index



RD-400
12 in. Dia.
Deck Receptor Drain



RD-410
8 in. Dia.
Deck Receptor Drain



RD-500
Super Flow
Roof Drain



RD-680-VC
Cast Iron Vent Cap



RD-700
Dual Outlet Roof Drain/
Overflow



RD-700-CT
Dual Outlet Roof Drain/
Overflow



RD-800
Dual Outlet Large Capacity
Roof Drain/Overflow



RD-800-CT
Dual Outlet Large Capacity
Roof Drain/Overflow



RD-900
Neoprene Expansion
Coupling



RD-940
Downspout Nozzle



RDA-940
Wallflower™ Downspout
Nozzle



RD-950
Stainless Steel Downspout
Cover



RD-970/RD-980
Downspout Boots

Consult factory for all applications outside of listed parameters.
Prices do not include applicable taxes.



Roof Drains

Roof Drain Selection Factors

Recommendations

Application	Product
Balcony or Canopy	RD-230, RD-240
Combination Primary/Overflow	RD-700
Deck Receptor	RD-400, RD-410
Downspout Nozzle/Cover	RD-940, RD-950
Downspout Boot	RD-970 / RD-980
IRMA	RD-300-85
Primary Roof Drain	RD-300, RD-300-F
Primary Roof Overflow	RD-300-R, RD-300-W
Promenade Area	RD-100-CP, RD-300-CP15
Promenade Area IRMA	RD-100-CP-85, RD-300-CP15-85
Scupper or Parapet	RD-270, RD-290

Sizing

- 1.) Calculate roof area (sq. ft.) to be drained.
- 2.) Determine the maximum hourly rainfall rate for your area. This information is available from your local weather bureau or code authority.
- 3.) Select leader (drain pipe) size. In general, increasing leader size will decrease the number of drains required.
- 4.) Reference leader size with hourly rainfall rate, to determine the roof area drained by each leader (Chart B).
- 5.) Divide roof area (1.) by area per leader (4.) to determine the number of drains required

Chart A

Leader Pipe Size Inches	Maximum Allowable Horizontal Projected Roof Areas Square Feet at Various Rainfall Rates					
	1 in./hr.	2 in./hr.	3 in./hr.	4 in./hr.	5 in./hr.	6 in./hr.
2	2176	1088	725	544	435	363
3	6440	3220	2147	1610	1288	1073
4	13840	6920	4613	3460	2768	2307
5	25120	12560	8373	6280	5024	4187
6	40800	20400	13600	10200	8160	6800
8	88000	44000	29333	22000	17600	14667

Chart A is based on Table 11-1 from the Uniform Plumbing Code (UPC) - 2006 Edition

Chart B

Pipe Size Inches	Vertical Leader	Allowable Flow (GPM) for Vertical Leaders and Horizontal Storm Drains ²		
		Horizontal Storm Drain / Slope		
		1/8"/ft.	1/4"/ft.	1/2"/ft.
2	23	10	15	20
3	67	34	48	68
4	144	78	110	156
5	261	139	196	278
6	424	222	314	445
8	913	478	677	956
10	-	860	1214	1721
12	-	1384	1953	2768
15	-	2473	3491	4946

Chart B is based on Table 11-2 from the Uniform Plumbing Code (UPC) - 2006 Edition



Consult factory for all applications outside of listed parameters.
Prices do not include applicable taxes.

Roof Drains

Roof Drain Selection Factors

Materials

Cast iron epoxy coated*

Industrial grade cast iron, finished with Watts gray acid resistant epoxy coating.

NOTE: Watts drainage standard epoxy coating is designed for interim protection of iron components during processing, shipping, and construction. It is not intended to protect surfaces subject to traffic, or environmental conditions. Exposed iron surfaces should be expected to show surface oxidation (rusting) after a short period of time.

PVC or ABS

Select roof drains can be specified with optional PVC (-60) or ABS (-61) plastic bodies for direct sch. 40 solvent weld connection.

Poly domes

UV stabilized high density polyethylene, high resistance to breakage and weathering.

Pipe Connections

No Hub (standard)

Butt connection using a no hub or neoprene coupling. Suitable for cast iron, plastic, and most other piping applications.

Push-on (-P)

ASTM C-564 gasket connection, with pipe stop. Suitable for no hub or service weight cast iron, sch. 40 plastic, and steel pipe. Not recommended for above grade.

Inside Caulk (-X)

Used for lead and oakum joints, pipe is inserted through a caulk ring on the drain outlet.

PVC (-60) or ABS (-61) socket

For direct solvent weld connection to sch. 40 plastic pipe.

Threaded (-THD)

Female threaded outlet for connection to IPS threaded pipe.

Commonly Specified Options

-13 Galvanized body and flashing clamp

Standard zinc galvanizing, typically specified in coastal environments.

-85 4" High Perforated SS Extension

For IRMA roof applications, allows drainage through insulation area.

-B Sump Receiver

Receives roof drain flange for installation flush with the roof deck, eliminating stress on the roofing membrane, and potential puddling around the drain.

-D Underdeck Clamp

Install on the underside of the roof deck, securely fastens the roof drain to the deck.

-F Deck Flange / Adjustable Extension

10 ga. zinc plated steel flange creates a structurally sound mounting surface over the roof penetration, and enables drain to be elevated to insulation height.

Note: a separate sump receiver is not required when the drain is specified with a -F Deck Flange / Adjustable Extension.

-GSS Stainless Steel Ballast Guard

4" high perforated stainless steel, protects drain area and dome in ballasted roof areas.

-K Ductile Iron Dome

Superior impact resistance compared to standard cast iron. Finished with standard grey epoxy coating.

-K13 Galvanized Ductile Iron Dome

Hot-dipped galvanized, superior impact resistance. Typically specified in coastal environments.

-K40 Ductile Iron Low Dome

Low profile, superior impact resistance compared to standard cast iron. Finished with standard grey epoxy coating.

-K80 Aluminum Dome

Corrosion resistant, finished with standard grey epoxy coating.

-K83 Stainless Steel Mesh Covered Aluminum Dome

Corrosion resistant, mesh prevents small debris from entering the drain.

-L Vandal Proof Dome

Dome secured with Allen head bolts.

-R 2" High External Water Dam

For emergency roof overflow drains, restricts drainage on roof surface below 2".

-US Buy American Compliant

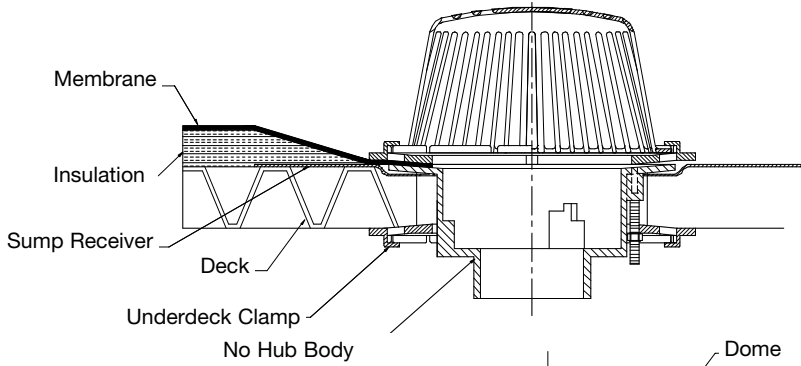
Product will be supplied with minimum 51% domestic content, in compliance with FAR 52.225-9 Buy American Act.

-W 4" High Internal Water Dam

For emergency roof overflow drains, restricts drainage on roof surface below 4".

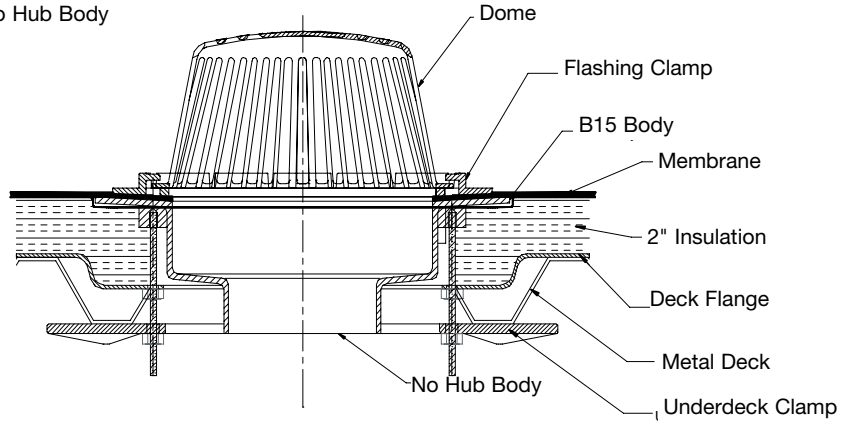
Roof Drains

Typical Installations

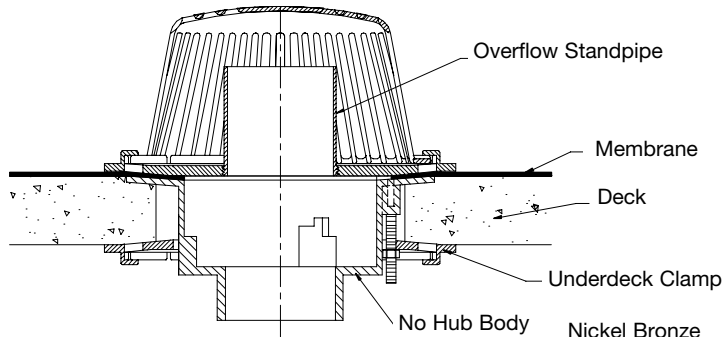


RD-100-B-D
TAPERED INSULATION

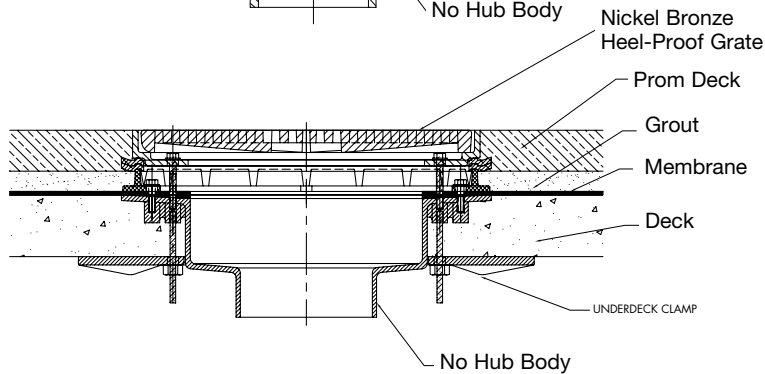
RD-300-D-F
DRAIN ELEVATED TO
INSULATION HEIGHT



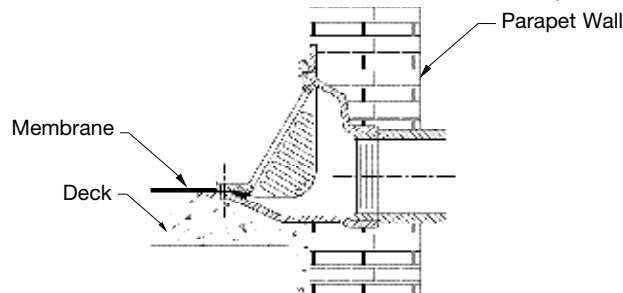
RD-100-D-W
INTERNAL OVERFLOW



RD-300-CP-15
PROMENADE AREA



RD-270
SCUPPER OR PARAPET



Consult factory for all applications outside of listed parameters.
Prices do not include applicable taxes.

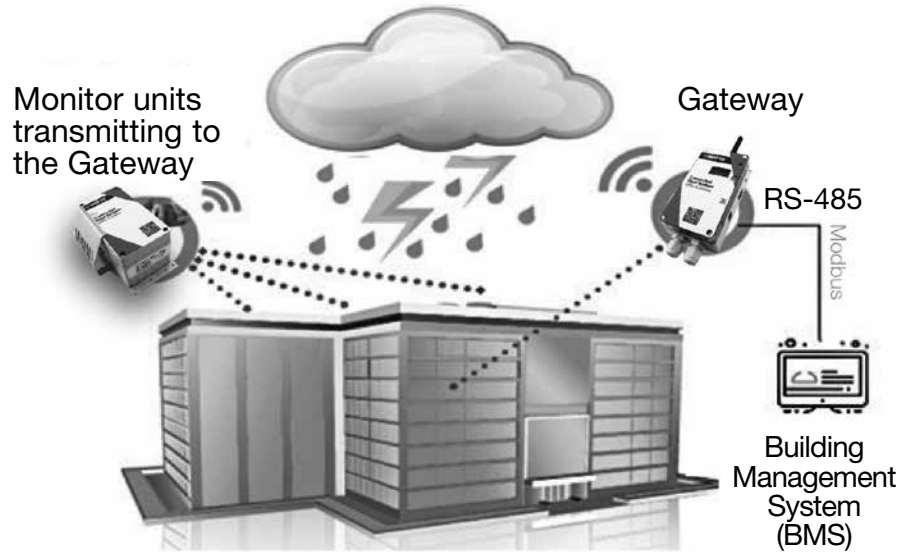
Roof Drains

Connected Roof System

Model	EDP #	List Price
CRS-Gateway	8200875	\$1,985.00
CRS-Monitor	8200874	988.00
CRS-External Antenna for Gateway	8200873	69.00



Gateway



Gateway Specifications

Power Supply	
Voltage	5V DC 1A
Nominal power	0.5W
Electrical protection class	Class 3
Wireless	
Frequency	915 MHz
Antenna connector	SMA
Signal range	Up to 4921ft(1500m) in free line of sight
User Input	
Push Button	1
Display	
Type	0.96" OLED
Size	128*64 dot
SD Card	
Type, Size	MicroSDHC Class 4 or higher, 4GB
Relay	
Type	1RT NO/NC
Load Limit	230VAC 5A
Connection	3 pin screw terminals (Max. 1/2" ² 1.5mm ²)
MODBUS	
Physical Layer	RS485
Baud Rate	Up to 115200 Bauds
Connection	3 pin screw terminals (Max 1.5mm ²)
Termination	Yes, ON/OFF jumper configuration
Enclosure	
Size	4 3/4" x 2 1/2" x 1 1/2"(120 x 65 x 40mm)
Environmental	
Working Temperature	-10°C - 55°C / 14°F - 131°F
Storage Temperature	-30°C - 80°C / -22°F - 176°F
Humidity	Below 80% non-condensing



Monitor



Antenna

Monitor Specifications

Power Supply	
Battery	Lithium battery LS 14500 3.6V (internal) AA
Battery Life	Up to 10 Years
Level Sensor	
Sensor Electrodes	Stainless A2
Enclosure	
IP Protection	IP68
Material	Anti-UV PC
Size	4 3/4" x 2 1/2" x 2 3/8"(120 x 65 x 60mm)
Environmental	
Working Temperature	-35°C - 85°C / -31°F - 185°F
Storage Temperature	-35°C - 85°C / -31°F - 185°F

Consult factory for all applications outside of listed parameters.

Prices do not include applicable taxes.



Roof Drains

RD-100

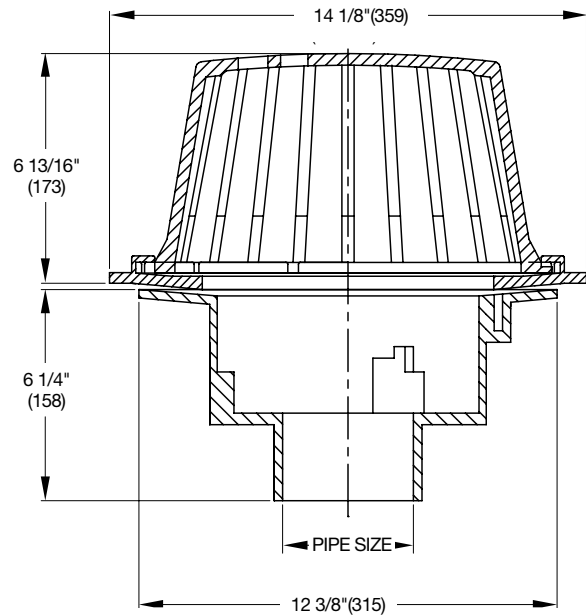
Roof Drain



Model Number	Outlet Size	WT., lbs.	List Price
RD-102, 3, 4	2,3,4,"	26	\$1,146.00
RD-105, 6	5, 6	26	1,635.00



Note: Poly Dome Standard



RD-100-F

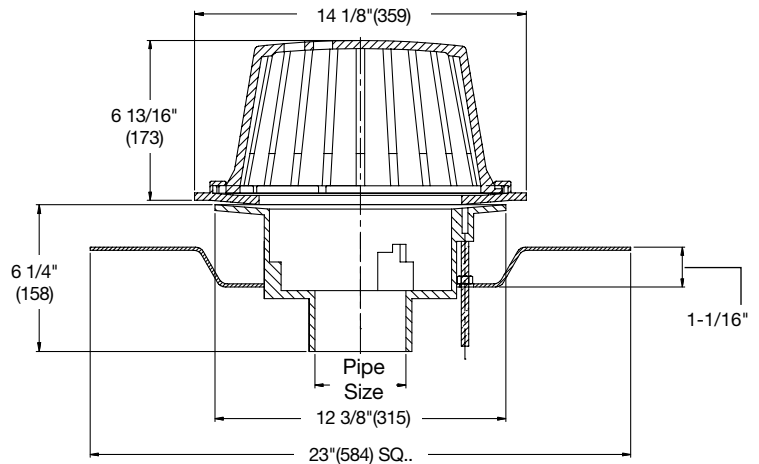
Roof Drain with Adjustable Extension Flange



Model Number	Outlet Size	WT., lbs.	List Price
RD-102, 3, 4-F	2,3,4,"	40	\$2,214.00
RD-105, 6-F	5, 6	40	2,701.00



Note: Poly Dome Standard



Options for RD-100 Series:

Suffix	Description	List Price	Suffix	Description	List Price
None	No Hub	No Add	-GSS	Stainless Steel Ballast Guard	\$1,013.00
P	Push-On Outlet	No Add	-K	Ductile Iron Dome	342.50
T	Threaded Outlet	\$131.50	-K13	Galvanized Dome	920.50
X	Inside Caulk Outlet	No Add	-K40	Ductile Iron Low Dome (4" high)	342.50
-60	PVC Body w/Socket Outlet (2,3,4,6" only)	No Add	-K80	Aluminum Dome	397.00
-61	ABS Body w/Socket Outlet (2,3,4" only)	No Add	-K81	Rough Bronze Dome	1,339.00
-13	Galvanized Body & Flashing Clamp	1,548.00	-K83	SS Mesh Covered Aluminum Dome	1,207.00
-85	4" SS Perforated Extension	1,013.00	-L	Vandal Proof Dome	202.00
-A	Accutrol Flow Restrictor	1,903.00	-R	2" External Water Dam	374.50
-B	Sump Receiver	436.00	-SO	Side Outlet (2,3,4" only)	545.00
-D	Underdeck Clamp	391.00	-V	Fixed Extension	1,067.00
-F	Deck Flange/Adj. Extension	1,067.00	-W	Adjustable Internal Water Dam	685.50



Consult factory for all applications outside of listed parameters.
Prices do not include applicable taxes.

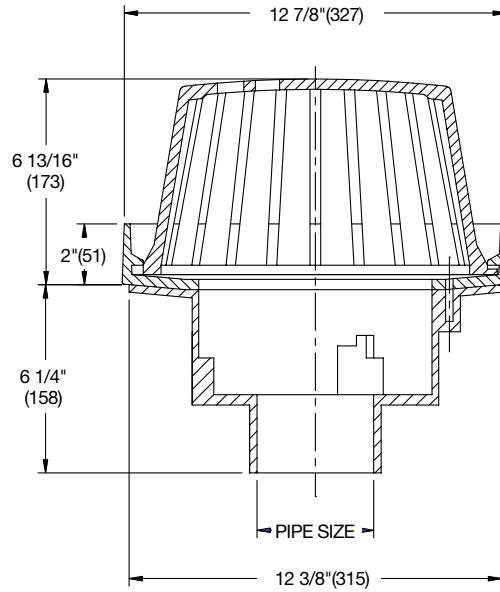
Roof Drains

RD-100-R

Overflow Roof Drain with 2" External Water Dam



Model Number	Outlet Size	WT., lbs.	List Price
RD-102, 3, 4-R	2, 3, 4,"	27	\$1,519.00
RD-105, 6-R	5, 6	27	2,006.00



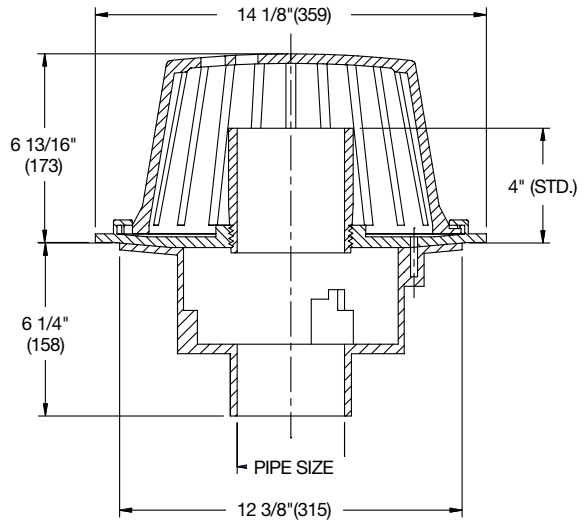
Note: Poly-Dome Standard

RD-100-W

Overflow Roof Drain with Internal Standpipe



Outlet Size	Outlet Size	WT., lbs.	List Price
RD-102, 3, 4-W	2, 3, 4"	32	\$1,831.00
RD-105, 6-W	5, 6"	32	2,318.00



Note: Poly Dome Standard

Options for RD-100 Series:

Suffix	Description	List Price	Suffix	Description	List Price
None	No Hub	No Add	-GSS	Stainless Steel Ballast Guard	\$1,013.00
P	Push-On Outlet	No Add	-K	Ductile Iron Dome	342.50
T	Threaded Outlet	\$131.50	-K13	Galvanized Dome	920.50
X	Inside Caulk Outlet	No Add	-K40	Ductile Iron Low Dome (4" high)	342.50
-60	PVC Body w/Socket Outlet (2,3,4,6" only)	No Add	-K80	Aluminum Dome	397.00
-61	ABS Body w/Socket Outlet (2,3,4" only)	No Add	-K81	Rough Bronze Dome	1,339.00
-13	Galvanized Body & Flashing Clamp	1,548.00	-K83	SS Mesh Covered Aluminum Dome	1,207.00
-85	4" SS Perforated Extension	1,013.00	-L	Vandal Proof Dome	202.00
-A	Accutrol Flow Restrictor	1,903.00	-R	2" External Water Dam	374.50
-B	Sump Receiver	436.00	-SO	Side Outlet (2,3,4" only)	545.00
-D	Underdeck Clamp	391.00	-V	Fixed Extension	1,067.00
-F	Deck Flange/Adj. Extension	1,067.00	-W	Adjustable Internal Water Dam	685.50

Consult factory for all applications outside of listed parameters.

Prices do not include applicable taxes.



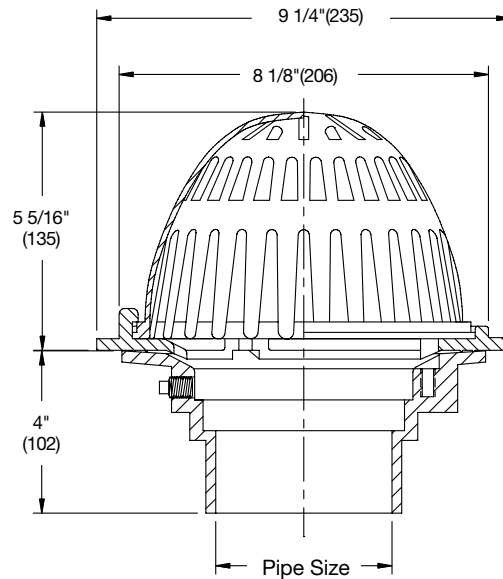
Roof Drains

RD-200

Small Area Roof Drain



Model Number	Outlet Size	WT., lbs.	List Price
RD-202, 3, 4	2, 3, 4, "	15	\$795.00

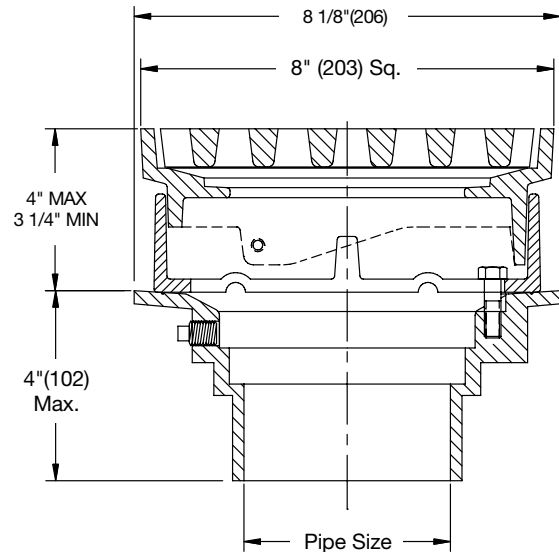


RD-200-CP

Roof Drain with 8" x 8" Promenade Top



Model Number	Outlet Size	WT., lbs.	Grate	List Price
RD-202, 3, 4-CP	2,3,4,"	22	ductile iron	\$1,331.00
RD-202, 3, 4-CP-1	2,3,4"	22	nickel bronze	2,861.00



Options for RD-200 Series:

Suffix	Description	List Price	Suffix	Description	List Price
None	No Hub	No Add	-K	Ductile Iron Dome	\$142.50
-5	Sediment Bucket	\$176.00	-K13	Galvanized Dome	386.50
-6	Vandal Proof Top (RD-200-CP)	238.50	-K80	Aluminum Dome	292.50
-9	Hinged Grate	420.00	-K81	Rough Bronze Dome	549.00
-13	Galvanized	319.00	-K83	SS Mesh Covered Aluminum Dome	720.00
-60	PVC Body w/Socket Outlet (2,3,4,6" Only)	No Add	-L	Vandal Proof Dome	186.50
-61	ABS Body w/Socket Outlet (2,3,4" Only)	No Add	-P	Push-On Outlet	No Add
-85	4" SS Perforated Extension	707.00	-R	2" External Water Dam	311.50
-B	Sump Receiver	416.00	-S0	Side Outlet	356.00
-D	Underdeck Clamp	241.50	-T	Threaded Outlet	131.50
-F	Deck Flange/Adj. Extension	808.50	W	Adjustable Internal Water Dam	600.50
-GSS	Stainless Steel Ballast Guard	747.50	-X	Inside Caulik Outlet	No Add

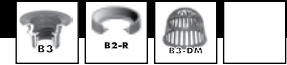


Consult factory for all applications outside of listed parameters.
Prices do not include applicable taxes.

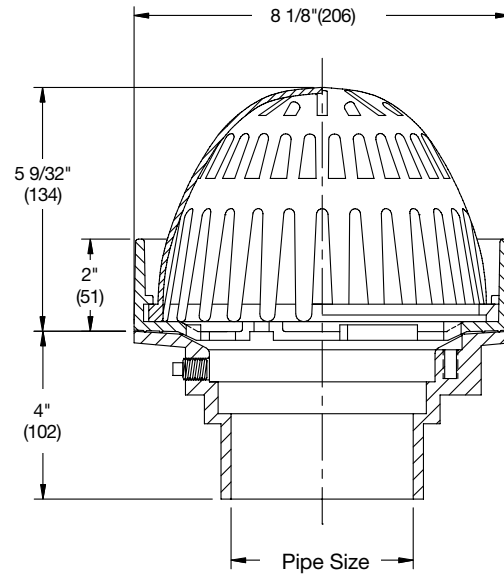
Roof Drains

RD-200-R

Overflow Roof Drain with 2" External Water Dam



Model Number	Outlet Size	WT., lbs.	List Price
RD-202, 3, 4-R	2, 3, 4"	25	\$1,103.00

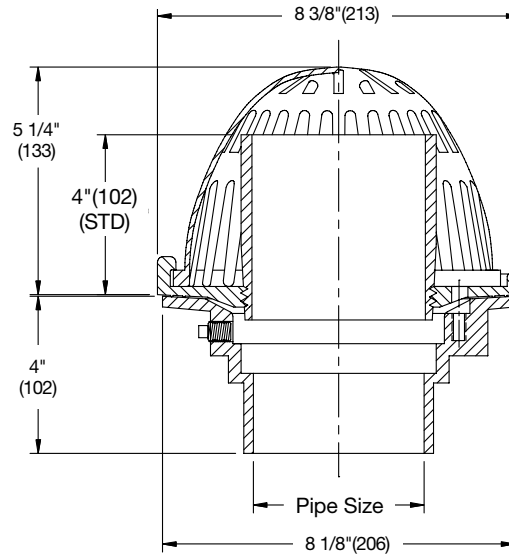


RD-200-W

Overflow Roof Drain with Internal Standpipe



Model Number	Outlet Size	WT., lbs.	List Price
RD-202, 3, 4-W	2, 3, 4"	25	\$1,392.00



Options for RD-200 Series:

Suffix	Description	List Price	Suffix	Description	List Price
None	No Hub	No Add	-K	Ductile Iron Dome	\$142.50
-5	Sediment Bucket	\$176.00	-K13	Galvanized Dome	386.50
-6	Vandal Proof Top (RD-200-CP)	238.50	-K80	Aluminum Dome	292.50
-9	Hinged Grate	420.00	-K81	Rough Bronze Dome	549.00
-13	Galvanized	319.00	-K83	SS Mesh Covered Aluminum Dome	720.00
-60	PVC Body w/Socket Outlet (2,3,4,6" Only)	No Add	-L	Vandal Proof Dome	186.50
-61	ABS Body w/Socket Outlet (2,3,4" Only)	No Add	-P	Push-On Outlet	No Add
-85	4" SS Perforated Extension	707.00	-R	2" External Water Dam	311.50
-B	Sump Receiver	416.00	-SO	Side Outlet	356.00
-D	Underdeck Clamp	241.50	-T	Threaded Outlet	131.50
-F	Deck Flange/Adj. Extension	808.50	W	Adjustable Internal Water Dam	600.50
-GSS	Stainless Steel Ballast Guard	747.50	-X	Inside Caulik Outlet	No Add

Consult factory for all applications outside of listed parameters.

Prices do not include applicable taxes.

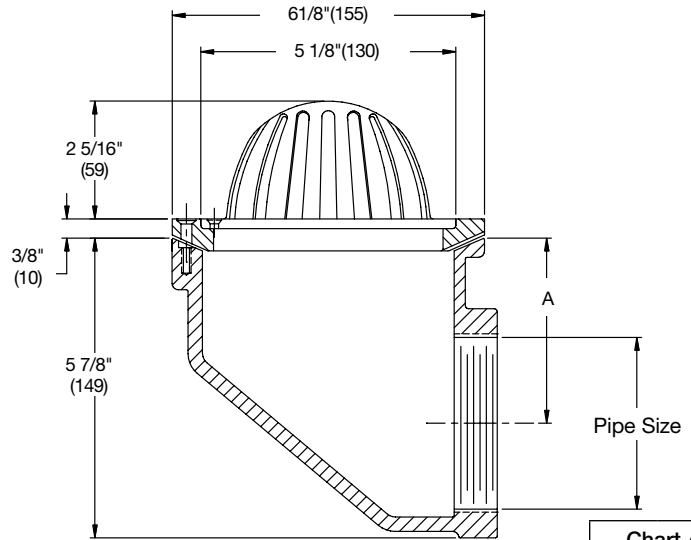


Balcony Drains

RD-230

Side Outlet Balcony Drain

Model Number	Outlet Size	WT., lbs.	List Price
RD-232, 3, 4	2, 3, 4"	10	\$1,197.00

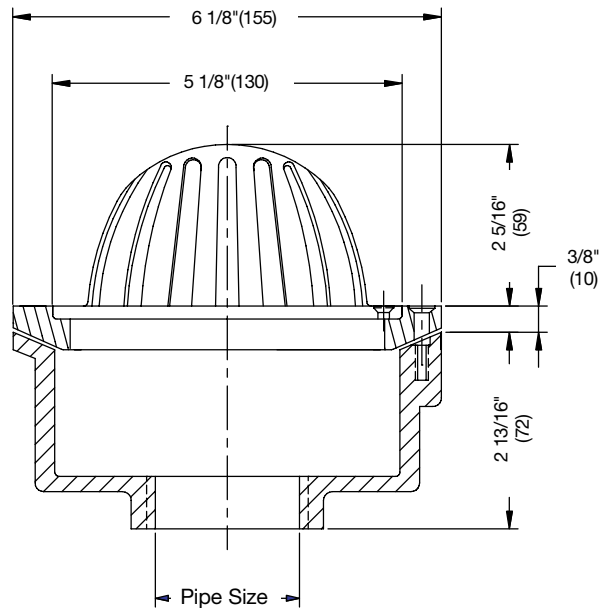


Size	A
2"	4 5/16"
3"	3 5/8"
4"	3 1/8"

RD-240

Bottom Outlet Balcony Drain

Model Number	Outlet Size	WT., lbs.	List Price
RD-242, 3, 4	2, 3, 4"	7	\$1,002.00



Options for RD-230/240 Series:

Suffix	Description	List Price
-6	Vandal Proof	\$92.00
-13	Galvanized Body & Flashing Clamp	256.50
-14	Flat Grate	No Add
-83	SS Mesh Covered Dome	380.50



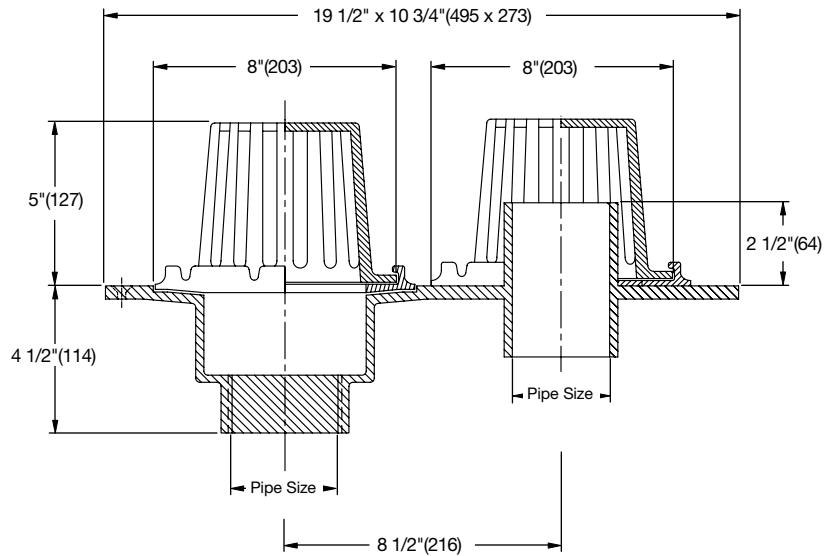
Consult factory for all applications outside of listed parameters.
Prices do not include applicable taxes.

Combination Roof Drains

RD-250

Flanged Cast Iron Roof Drain/Overflow System

Model Number	Outlet Size	WT., lbs.	List Price
RD-252, 3, 4	2, 3, 4"	28	\$1,370.00



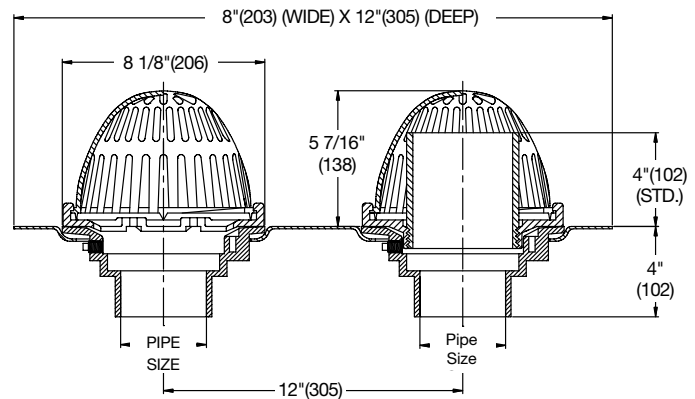
Options for RD-250 Series:

Suffix	Description	List Price
-L	Vandal Proof	No Add

RD-260

Roof Drain/Overflow System

Model Number	Outlet Size	WT., lbs.	List Price
RD-262, 3, 4	2, 3, 4"	36	\$1,860.00



Options for RD-260 Series:

Suffix	Description	List Price	Suffix	Description	List Price
None	No Hub	No Add	-GSS	Stainless Steel Ballast Guard	\$1,347.00
P	Push-On Outlet	No Add	-K	Ductile Iron Dome	254.00
T	Threaded Outlet	\$261.00	-K13	Galvanized Dome	771.00
X	Inside Caulk Outlet	No Add	-K80	Aluminum Dome	582.50
-60	PVC Body w/Socket Outlet	No Add	-K83	SS Mesh Covered Dome	1,440.00
-61	ABS Body w/Socket Outlet	No Add	-L	Vandal Proof Dome	373.00
-13	Galvanized Body & Flashing Clamp	639.00	-R	2" External Water Dam	No Add
-D	Underdeck Clamp	478.50			

Consult factory for all applications outside of listed parameters.

Prices do not include applicable taxes.

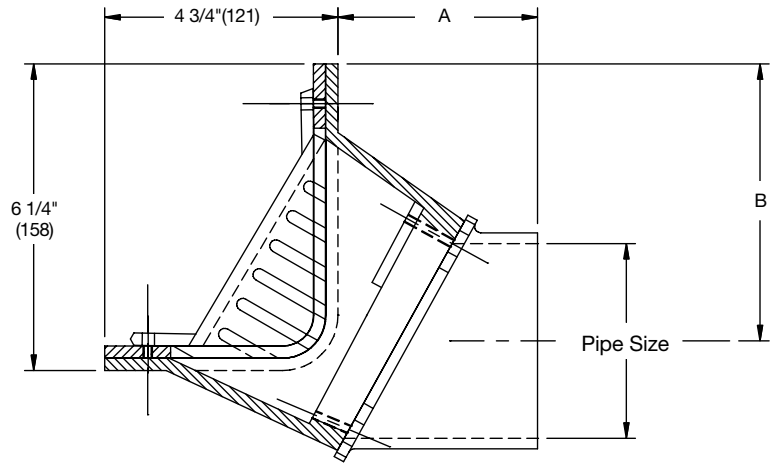


Scupper Drains

RD-270

Scupper Drain with Angle Grate

Model Number	Outlet Size	WT., lbs.	List Price
RD-272, 3, 4	2, 3, 4"	20	\$1,147.00
RD-276	6"	22	1,941.00

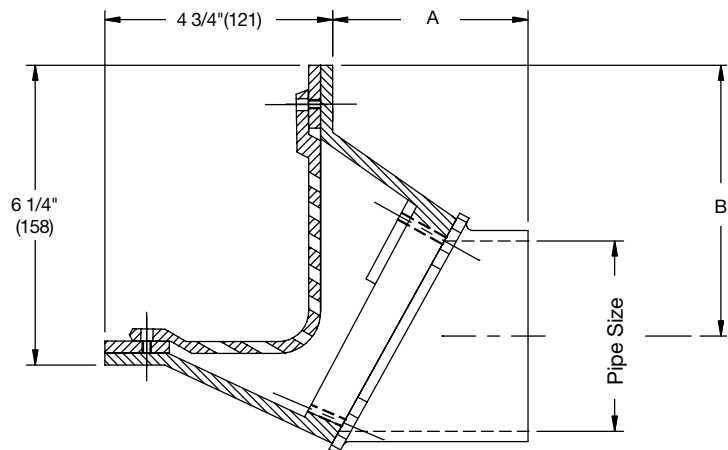


RD-270	NH		THD	
	A	B	A	B
2"	5-1/8"	6-1/2"	2-3/4"	6"
3"	4-1/2"	5-3/4"	2-3/4"	5-3/8"
4"	4"	5-1/8"	2-3/4"	4-7/8"

RD-290

Scupper Drain with Flat Grate

Model Number	Outlet Size	WT., lbs.	List Price
RD-292, 3, 4	2,3,4,"	24	\$1,085.00
RD-296	6"	26	2,037.00



Options for RD-270 /290 Series:

Suffix	Description	List Price
-A	45 Degree Outlet (NH Only)	No Add
-T	Threaded Outlet (2,3,4" Only)	No Add
-1	Nickel Bronze Grate & Frame	\$1,635.00
-6	Vandal Proof Grate	92.00
-13	Galvanized	388.00

RD-290	NH		THD	
	A	B	A	B
2"	5-1/8"	6-1/2"	2-3/4"	6"
3"	4-1/2"	5-3/4"	2-3/4"	5-3/8"
4"	4"	5-1/8"	2-3/4"	4-7/8"



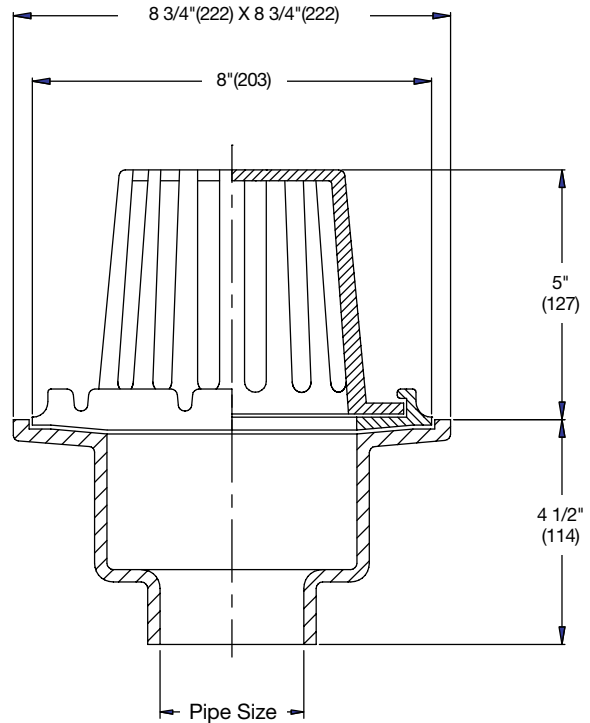
Consult factory for all applications outside of listed parameters.
Prices do not include applicable taxes.

Small Area Roof Drains

RD-280

Flanged Cast Iron Roof Drain

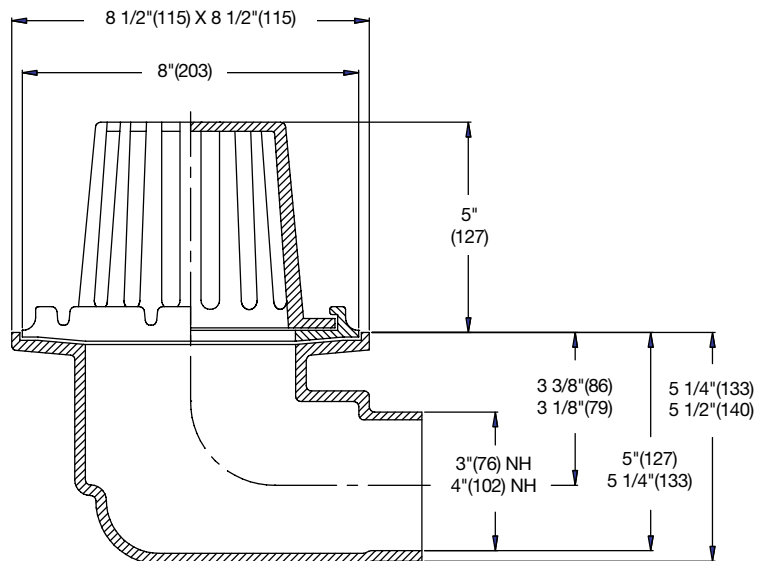
Model Number	Outlet Size	WT., lbs.	List Price
RD-283, 4	3, 4"	16	\$795.00



RD-280-SO

Flanged Cast Iron Roof Drain with Side Outlet

Model Number	Outlet Size	WT., lbs.	List Price
RD-283, 4-SO	3, 4"	17	\$939.50



Options for RD-280 /280-SO Series:

Suffix	Description	List Price
-L	Vandal Proof Dome	No Add
-R	2" External Water Dam	\$282.50

Consult factory for all applications outside of listed parameters.

Prices do not include applicable taxes.



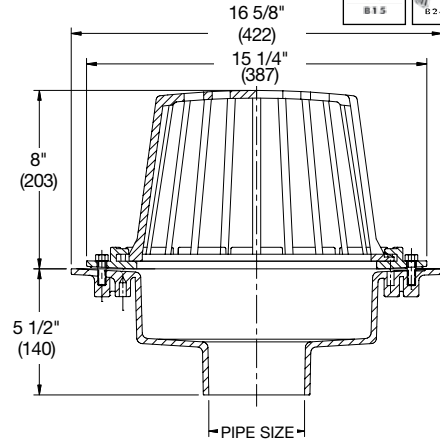
High Volume Roof Drains

RD-300

High Volume Roof Drain



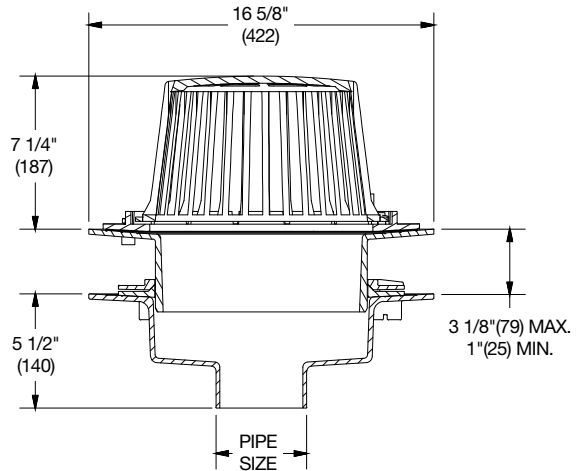
Model Number	Outlet Size	WT., lbs.	List Price
RD-302, 3, 4	2, 3, 4"	30	\$1,146.00
RD-305, 6	5, 6"	30	1,635.00
RD-308, 10	8, 10"	30	2,125.00



RD-300-AC

Adjustable Extension Compression Seal Roof Drain

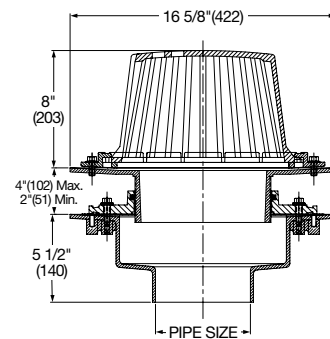
Model Number	Outlet Size	WT., lbs.	List Price
RD-302, 3, 4-AC	2, 3, 4"	63	\$2,212.00
RD-305, 6-AC	5, 6"	63	2,701.00
RD-308, 10-AC	8, 10"	63	3,190.00



RD-300-AE

Adjustable Extension Threaded Seal Roof Drain

Model Number	Outlet Size	WT., lbs.	List Price
RD-302, 3, 4-AE	2, 3, 4"	63	\$2,718.00
RD-305, 6-AE	5, 6"	63	2,761.00
RD-308, 10-AE	8, 10"	63	3,190.00



Options for RD-300 Series:

Suffix	Description	List Price	Suffix	Description	List Price
-P	Push On Available on 3,4, & 6" Outlets Only	No Add	-K13	Galvanized Dome	\$920.50
-X	Inside Caulk	No Add	-K40	Ductile Iron Low Dome (4" High)	342.50
-13	Galvanized Body & Clamp	\$1,548.00	-K80	Aluminum Dome	397.00
-85	4" SS Perforated Extension	1,013.00	-K81	Rough Bronze Dome	1,339.00
-B	Sump Receiver	436.00	-K83	SS Mesh Covered Aluminum Dome	1,207.00
-D	Underdeck Clamp	391.00	-L	Vandal Proof Dome	202.00
-F	Deck Flange/Adj. Extension	1,067.00	-R	2" External Water Dam	374.50
-GSS	Stainless Steel Ballast Guard	1,013.00	-W	4" Internal Water Dam	685.50
-K	Ductile Iron Dome	342.50			



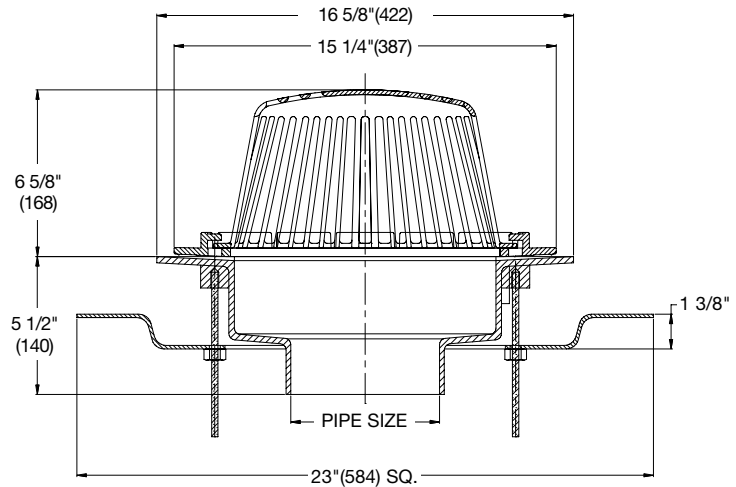
Consult factory for all applications outside of listed parameters.
Prices do not include applicable taxes.

High Volume Roof Drains

RD-300-F

Roof Drain with Adjustable Extension Flange

Model Number	Outlet Size	WT., lbs.	List Price
RD-302, 3, 4-F	2, 3, 4,"	45	\$2,214.00
RD-305, 6-F	5, 6"	45	2,701.00
RD-308, 10-F	8, 10"	45	3,190.00

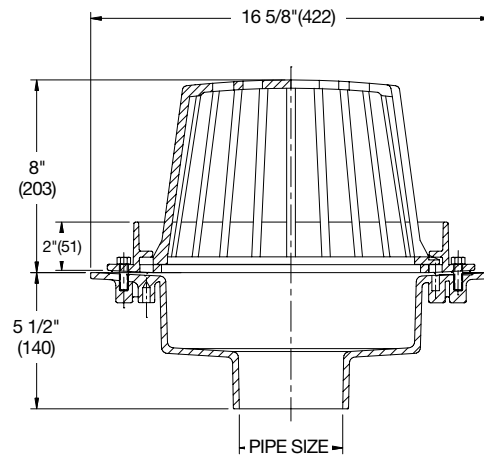


RD-300-R

Overflow Roof Drain with 2" External Water Dam



Model Number	Outlet Size	WT., lbs.	List Price
RD-302, 3, 4-R	2, 3, 4"	32	\$1,519.00
RD-305, 6-R	5, 6"	32	2,006.00
RD-308, 10-R	8, 10"	32	2,497.00



RD-300-W

Overflow Roof Drain with 2" Internal Standpipe

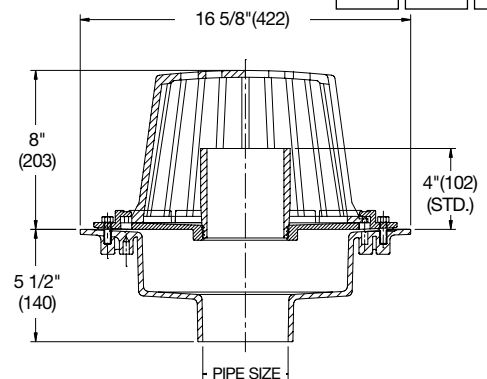


Model Number	Outlet Size	WT., Lbs.	List Price
RD-302, 3, 4-W	2, 3, 4"	37	\$1,831.00
RD-305, 6-W	5, 6"	37	2,318.00
RD-308, 10-W	8, 10"	37	2,806.00



Options for RD-300 Series:

(For Options see page 123.)



Consult factory for all applications outside of listed parameters.

Prices do not include applicable taxes.

WATTS[®]

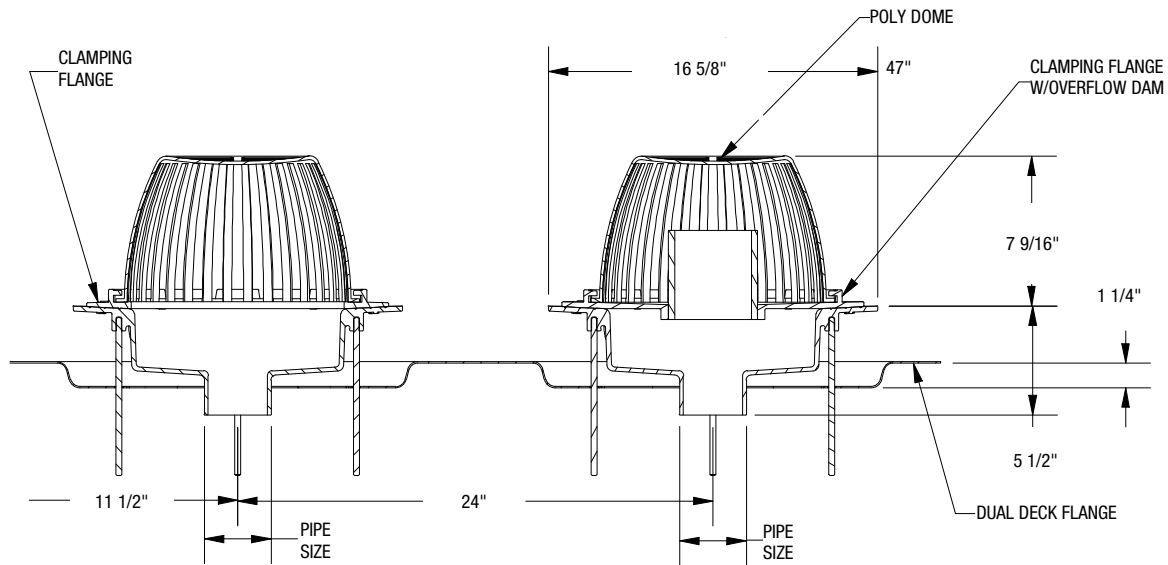
High Volume Roof Drains

RD-350-F2

Combination Primary and Overflow Roof Drain

Model Number	Outlet Size	Outlet Type	WT., lbs.	List Price
RD-352, 3, 4-F2	2, 3, 4"	NH (STD), P (PO), X (IC)	96	\$3,923.00
RD-355, 6-F2	5, 6"	NH (STD), P (PO), X (IC)	96	4,872.00
RD-358, 10-F2	8, 10"	NH (STD), X (IC)	96	5,823.00

Note: Not all outlet types available in all sizes. See Options chart.



Options for RD-350-F2 Series:

Suffix	Description	List Price	Suffix	Description	List Price
None	No Hub Outlet	No Add	-K13	Galvanized Dome	1,753.00
P	Push On Outlet (3, 4, 6" Only)	No Add	-K40	Ductile Iron Low Dome (4" High)	686.00
X	Inside Caulk (34, 4, 5, 6, 8" Only)	No Add	-K80	Aluminum Dome	801.00
-13	Galvanized Body & Clamp	\$3,179.00	-K81	Rough Bronze Dome	2,548.00
-85	4" SS Perforated Extension	2,615.00	-K83	SS Mesh Covered Aluminum Dome	1671.00
-D	Underdeck Clamp	627.50	-L	Vandal Proof Dome	383.00
-GSS	Stainless Steel Ballast Guard	2,615.00	-R	2" External Water Dam	No Add
-K	Ductile Iron Dome	686.00			



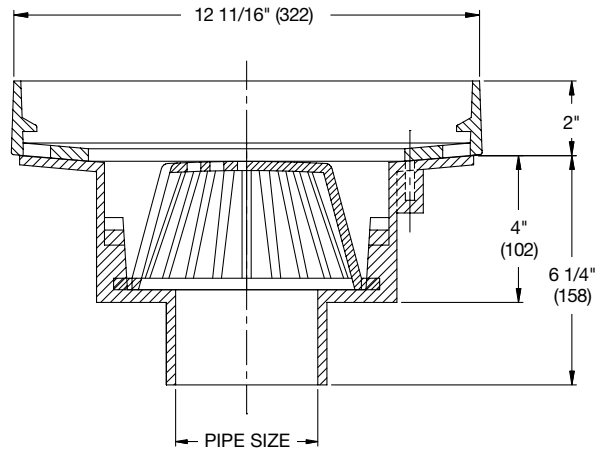
Consult factory for all applications outside of listed parameters.
Prices do not include applicable taxes.

Deck Receptor Drain

RD-400

12" Diameter Deck Receptor Drain

Model Number	Outlet Size	WT., Lbs.	List Price
RD-402, 3, 4, 5, 6	2, 3, 4, 5, 6"	28	\$1,165.00



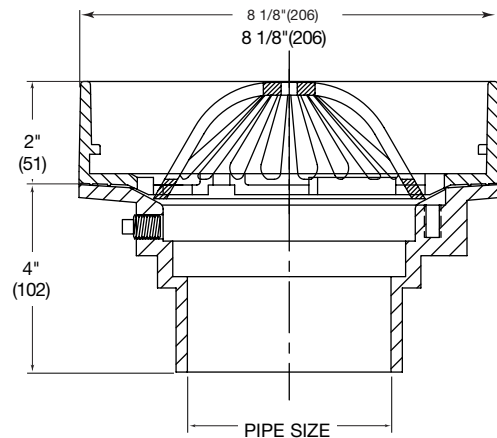
Options for RD-400 Series:

Suffix	Description	List Price	Suffix	Description	List Price
None	No Hub	No Add	-B	Sump Receiver	\$436.00
-P	Push-On Outlet	No Add	-D	Underdeck Clamp	391.00
-T	Threaded Outlet	\$131.50	-F	Deck Flange/Adj. Extension	1,067.00
-X	Inside Caulk Outlet	No Add	-L	Vandal Proof Dome	202.00
-13	Galvanized	672.00			

RD-410

8" Diameter Deck Receptor Drain

Model Number	Outlet Size	WT., Lbs.	List Price
RD-412,3,4	2,3,4"	15	\$958.50



Options for RD-410 Series:

Suffix	Description	List Price	Suffix	Description	List Price
None	No Hub	No Add	-B	Sump Receiver	\$416.00
P	Push-On Outlet	No Add	-D	Underdeck Clamp	241.50
T	Threaded Outlet	\$131.50	-F	Deck Flange/Adj. Extension	808.50
X	Inside Caulk Outlet	No Add	-L	Vandal Proof	186.50
-13	Galvanized Body & Flashing Clamp	319.00	-SO	Side Outlet	355.00

Consult factory for all applications outside of listed parameters.

Prices do not include applicable taxes.

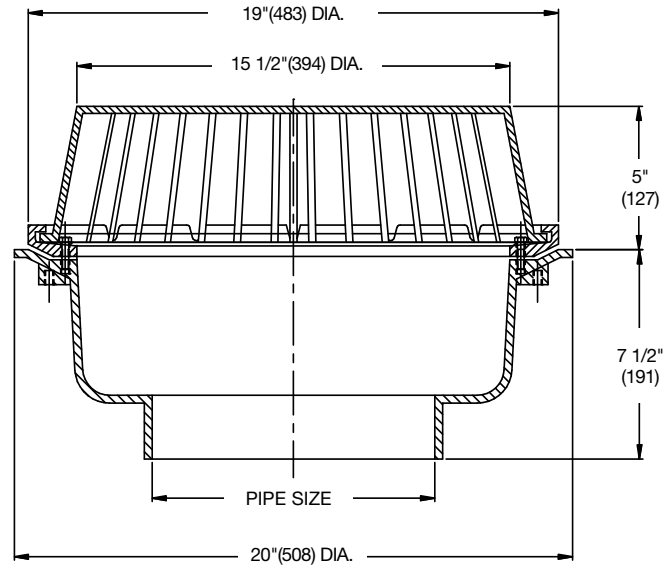


Specialty Roof Drains

RD-500

Super Flow Roof Drain

Model Number	Outlet Size	WT., lbs.	List Price
RD-510, 12	10", 12"	52	\$3,477.00



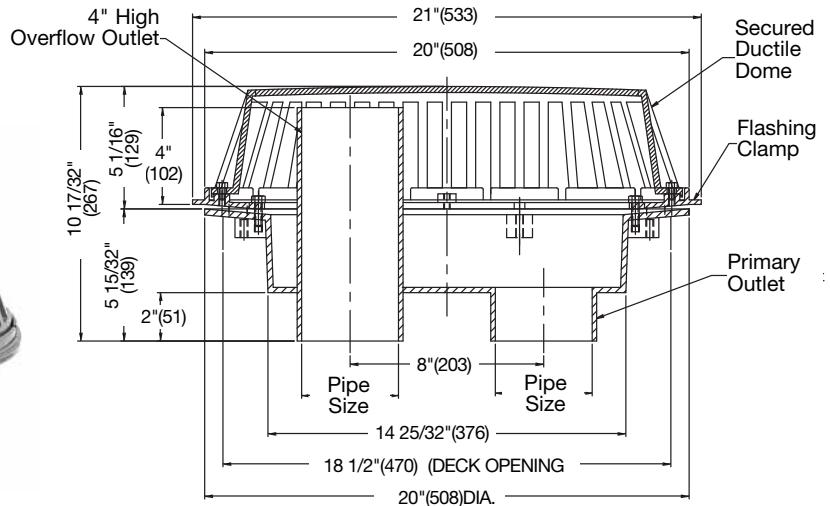
Options for RD-500 Series:

Suffix	Description	List Price
-D	Underdeck Clamp	\$391.00
-F	Deck Flange/Adj. Extension	1,067.00
-L	Vandal Proof Dome	202.00
-R	2" External Water Dam	374.50
-W	2" Internal Water Dam	685.50

RD-700

Dual Outlet Roof Drain/Overflow

Model Number	Outlet Size	WT., lbs.	List Price
RD-703, 4	3,4"	49	\$3,511.00
RD-705, 6	5,6"	49	4,208.00



Options for RD-700 Series:

Suffix	Description	List Price
-CT	Overflow Through Dome	No Add
-D	Underdeck Clamp	\$400.50
-F	Deck Flange/Adj. Extension	716.00
-GSS	4" High SS Gravel Guard	1,431.00
-K80	Aluminum Dome	No Add
-K83	SS Mesh Covered Dome	841.50
-L	Vandal Proof Dome	191.00
-W2	2" High Overflow	No Add

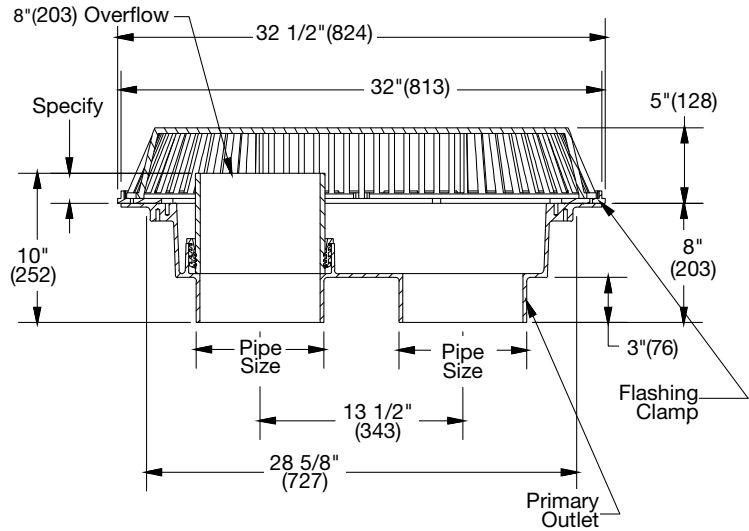


Consult factory for all applications outside of listed parameters.
Prices do not include applicable taxes.

Roof Drains

RD-800 Dual Outlet Large Capacity Roof Drain/Overflow

Model Number	Outlet Size	WT., lbs.	List Price
RD-808	8"	115	\$5,166.00
RD-810	10"	115	5,552.00



Options for RD-800 Series:

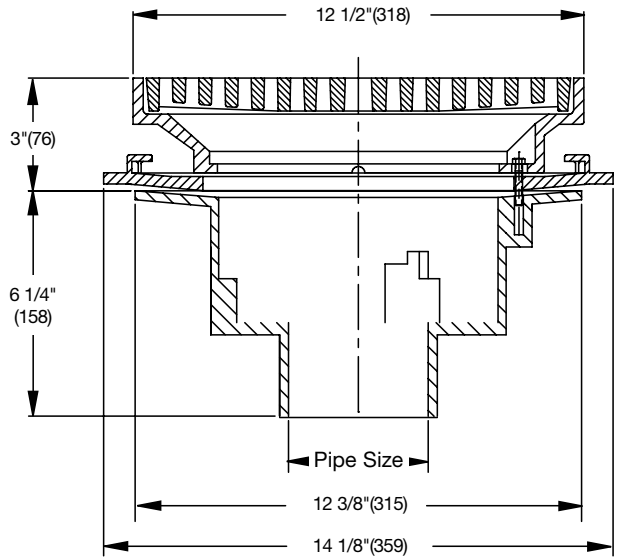
Suffix	Description	List Price
-CT	Overflow Through Dome	No Add
-D	Underdeck Clamp	\$422.00
-F	Deck Flange/Adj. Extension	716.00
-R	2" External Water Dam	374.50
-L	Vandal Proof Dome	191.00
-W2	2" High Overflow	No Add



RD-800-CT

RD-100-CP Roof Drain with 12"x12" Promenade Top

Model Number	Outlet Size	WT., lbs.	Grate	List Price
RD-102, 3, 4-CP,	2, 3, 4"	80	ductile iron	\$1,981.00
RD-102, 3, 4-CP-1	2, 3, 4"	80	nickel bronze	3,540.00
RD-105, 6-CP	5, 6"	80	ductile iron	2,139.00
RD-105, 6-CP-1	5, 6"	80	nickel bronze	3,583.00



Options for RD-100-CP/RD-300-CP15 Series:

Suffix	Description	List Price	Suffix	Description	List Price
None	No Hub	No Add	-85	4" SS Perforated Extension	\$1,013.00
P	Push-On Available on 3,4 & 6" Only	No Add	-B	Sump Receiver	434.50
T	Threaded Outlet (RD-100-CP only)	\$131.50	-D	Underdeck Clamp	390.00
X	Inside Caulk Outlet (RD-100-CP only)	No Add	-E	1" Stackable Clamp	131.50
-6	Vandal Proof	239.00	-F	Deck Flange/Adj. Extension	1,067.00
-9	Hinged Grate	368.50	-S0	Side Outlet (RD-100-CP 2, 3, 4" only)	545.00
-13	Galvanized	1,548.00			

Consult factory for all applications outside of listed parameters.

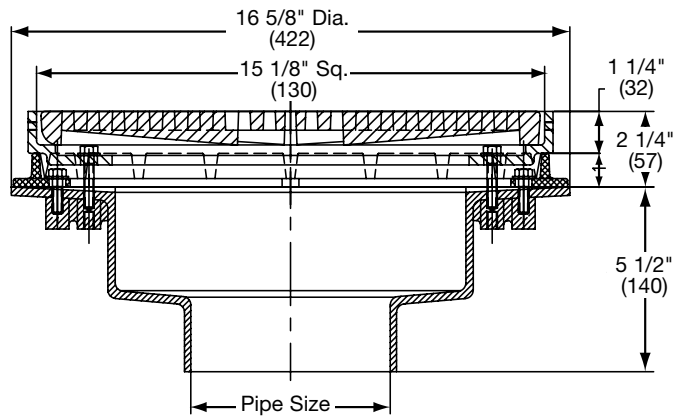
Prices do not include applicable taxes.



Vent Cap/Expansion Coupling

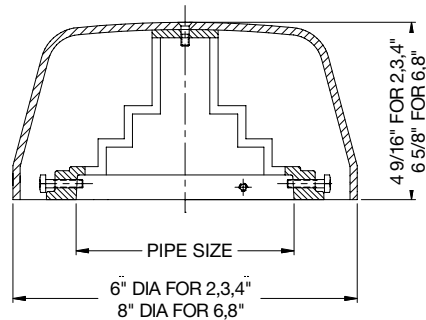
RD-300-CP15 Roof Drain with 15"x15" Promenade Top

Model Number	Outlet Size	WT., lbs.	Grate	List Price
RD-302, 3, 4-CP15,	2, 3, 4"	110	ductile iron	\$1,941.00
RD-302, 3, 4-CP15-1	2, 3, 4"	110	nickel bronze	5,122.00
RD-305, 6,8-CP15	5, 6, 8"	110	ductile iron	2,410.00
RD-305, 6,8-CP15-1	5, 6, 8"	110	nickel bronze	5,256.00



RD-680-VC Vent Cap

Model Number	Outlet Size	WT., lbs.	List Price
RD-682, 3, 4-VC	2, 3, 4"	7	\$763.50
RD-686-VC	6"	15	1,086.00
RD-688-VC	8"	15	1,246.00



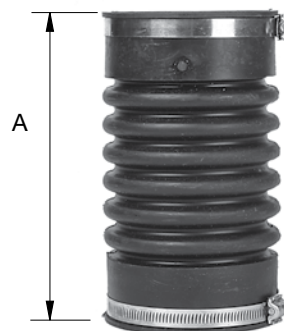
Options for RD-680-VC Series:

Suffix	Description	List Price
-13	Galvanized	\$273.00

RD-900 Neoprene Expansion Coupling

Model Number	Outlet Size	WT., lbs.	List Price
RD-902	2"	1	\$484.00
RD-903	3"	1	594.00
RD-904	4"	2	688.50

Chart A	
Pipe Size	Height
2"	7-1/8"
3"	8-1/8"
4"	8-5/8"



Consult factory for all applications outside of listed parameters.
Prices do not include applicable taxes.

Downspout Nozzles

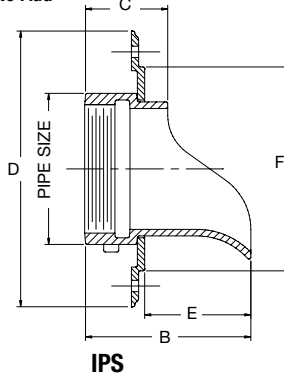
RD-940

Downspout Nozzle

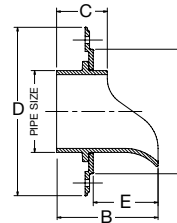
Model Number	Outlet Size	WT., lbs.	List Price
RD-942, 3, 4	2, 3, 4"	12	\$1,754.00
RD-945, 6	5, 6"	18	3,144.00
RD-948	8"	22	4,293.00
RD-9410-NH	10"	25	5,600.00
RD-9412-NH	12"	29	6,933.00

Options for RD-940 Series:

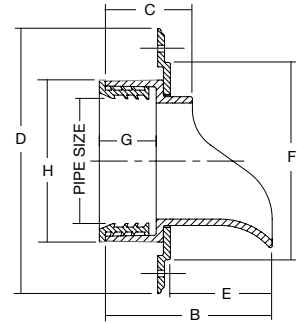
Suffix	Description	List Price
-83	SS Bird Screen	\$889.50
-NH	No Hub	No Add
-P	Push-On Connection (3,4,6,8" Only)	No Add



IPS



No-Hub



Push-On

IPS Threaded Connection						
Model	Pipe Size	B	C	D	E	F
RD-942	2"(51)	5-1/4"(133)	2-1/4"(57)	6-3/4"	3-1/2"(89)	4-3/4"(121)
RD-943	3"(76)	5-1/4"(133)	2-1/2"(63)	8-1/4"(210)	3-1/2"(89)	6-3/8"(162)
RD-944	4"(102)	5-1/4"(133)	2-3/4"(70)	9-1/8"(232)	3-1/2"(89)	7"(178)
RD-946	6"(152)	5-1/4"(133)	2-3/4"(70)	11-3/8"(289)	3-1/2"(89)	9"(229)
RD-948	8"(200)	6"(152)	3"(76)	13-3/8"(340)	4"(102)	10-3/4"(273)

No Hub Connection						
Model	Pipe Size	B	C	D	E	F
RD-942-NH	2"(51)	5-1/4"(133)	2-1/4"(57)	6-3/4"(171)	3-1/2"(89)	4-3/4"(121)
RD-943-NH	3"(76)	5-1/4"(133)	2-1/2"(63)	8-1/4"(210)	3-1/2"(89)	6-3/8"(162)
RD-944-NH	4"(102)	5-1/4"(133)	2-3/4"(70)	9-1/8"(232)	3-1/2"(89)	7"(178)
RD-945-NH	5"(130)	5-1/4"(133)	3"(76)	9-1/4"(235)	3-3/8"(86)	7-1/4"(184)
RD-946-NH	6"(152)	5-1/4"(133)	2-3/4"(70)	11-3/8"(289)	3-1/2"(89)	9"(229)
RD-948-NH	8"(200)	6"(152)	3"(76)	13-3/8"(340)	4"(102)	10-3/4"(273)
RD-9410-NH	10"(250)	5-3/4"(146)	3"(76)	15-1/4"(387)	3-3/4"(95)	13-1/16"(332)
RD-9412-NH	12"(305)	6"(152)	3-1/4"(83)	17-1/4"(438)	3-3/4"(95)	15-1/16"(383)

Push-On Connection								
Model	Pipe Size	B	C	D	E	F	G	H
RD-943P	3"(76)	5-3/4"(146)	3"(76)	8-1/4"(210)	3-1/2"(89)	6"(152)	1-3/4"(44)	4-3/4"(121)
RD-944P	4"(102)	5-3/4"(146)	3"(676)	9-1/8"(232)	3-1/2"(89)	6-3/4"(171)	1-3/4"(44)	5-1/2"(140)
RD-946P	6"(152)	6"(152)	3-3/4"(95)	11-3/8"(289)	3-1/2"(89)	8-3/4"(222)	2"(51)	7-3/4"(197)
RD-948P	8"(200)	7"(178)	4"(102)	13-3/8"(340)	4"(102)	10-3/4"(273)	2-1/2"(63)	10"(254)

Consult factory for all applications outside of listed parameters.

Prices do not include applicable taxes.



Downspout Nozzles

RDA-940

Wallflower™ Downspout Cover

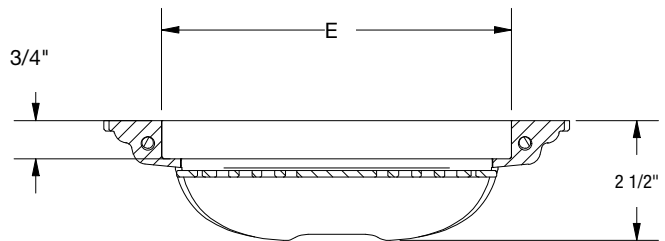
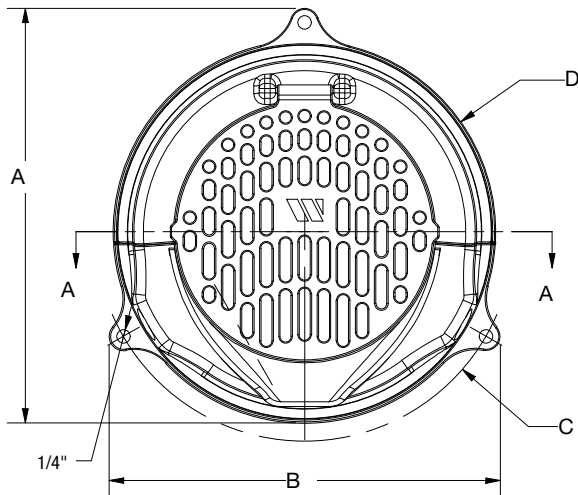
Model Number	Order No.	Outlet Size	WT., lbs.	List Price
RDA-943-NB	8201015	3"(76)	1.11	\$1,791.00
RDA-944-NB	8201016	4"(102)	1.40	1,791.00
RDA-946-NB	8201017	6"(152)	1.96	3,216.00
RDA-948-NB	8201018	8"(203)	2.60	4,396.00
RDA-943-SL	8201383	3"(76)	1.11	1,791.00
RDA-944-SL	8201384	4"(102)	1.40	1,791.00
RDA-946-SL	8201385	6"(152)	1.96	3,216.00
RDA-948-SL	8201386	8"(203)	2.60	4,396.00
RDA-943-RD	8201387	3"(76)	1.11	1,791.00
RDA-944-RD	8201388	4"(102)	1.40	1,791.00
RDA-946-RD	8201389	6"(152)	1.96	3,216.00
RDA-948-RD	8201390	8"(203)	2.60	4,396.00

Note: Available in Nickel Bronze (-NB), Silver (-SL,) & Red Brick (-RD).
Go to www.watts.com to view color images.



Coming Soon

NB Multi-Pack				
Model Number	Order No.	Outlet Size	WT., lbs.	List Price
RDA-943-NB-5PK	8201562	3"(76)	5.60	\$7,161.00
RDA-944-NB-5PK	8201563	4"(102)	7.00	7,161.00
RDA-946-NB-5PK	8201564	6"(152)	9.80	12,856.00
RDA-943-NB-10PK	8201566	3"(76)	11.20	12,531.00
RDA-944-NB-10PK	8201567	4"(102)	14.00	12,531.00
RDA-946-NB-10PK	8201568	6"(152)	19.60	22,498.00



Dimensional Data						
Model	Pipe Size	A	B	C	D	E
RDA-943	3"(76)	6 1/2"(165)	6 3/8"(162)	6 1/2"(165)	5 3/4"(146)	3 3/4"(95)
RDA-944	4"(102)	7 1/2"(191)	7 1/4"(184)	7 1/2"(191)	6 3/4"(171)	4 3/4"(120)
RDA-946	6"(152)	9 1/2"(241)	9"(229)	9 1/2"(241)	8 3/4"(222)	6 3/4"(171)
RDA-948	8"(200)	11 1/2"(292)	10 3/4"(273)	11 1/2"(292)	10 3/4"(273)	8 3/4"(222)



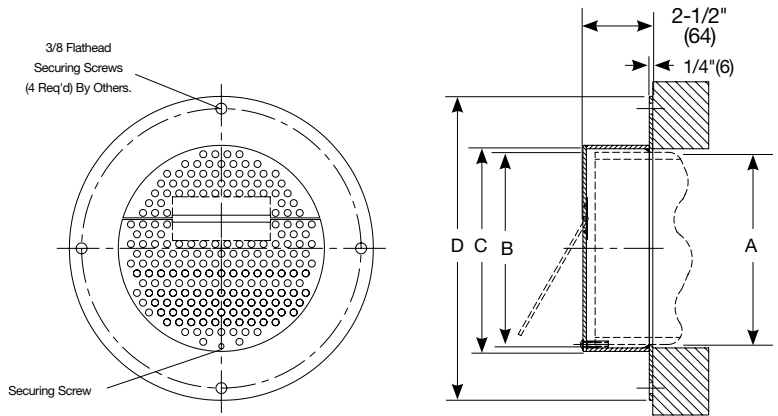
Consult factory for all applications outside of listed parameters.
Prices do not include applicable taxes.

Downspout Nozzles

RD-950

Stainless Steel Downspout Cover

Model Number	Outlet Size	WT., lbs.	List Price
RD-953,4	3, 4"	8	\$4,704.00
RD-956	6"	9	4,970.00
RD-958	8"	10	5,205.00
RD-9510	10"	12	5,507.00
RD-9512	12"	14	5,507.00



Options for RD-950 Series:

Suffix	Description	List Price
-6	Vandal Proof	248.50

RD-970/980

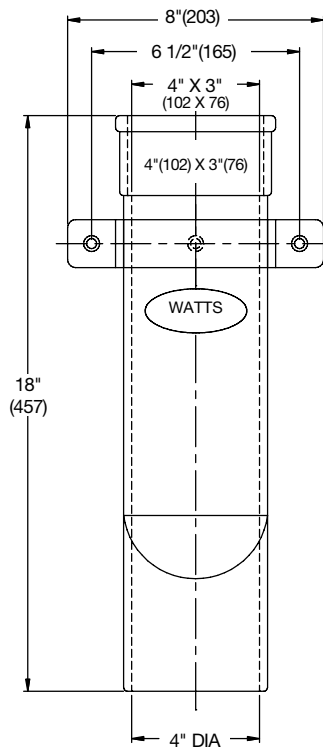
Downspout Boot

Model Number	Outlet Size	WT., lbs.	List Price
RD-970	4" x 3"	20	\$1,334.00
RD-980	5" x 4"	30	2,128.00

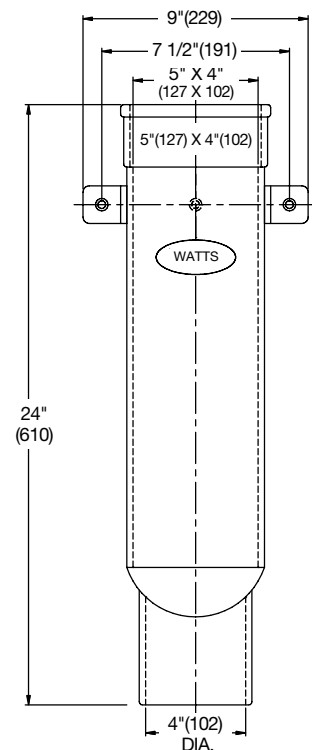


RD-970

RD-980



RD-970



RD-980

Consult factory for all applications outside of listed parameters.
Prices do not include applicable taxes.



Interceptors

Table Of Contents

- Pictorial Index
- Recommendations
- Grease Interceptors
 - Design & Operation
 - Materials
 - Pipe Connections
 - Standard Configurations
 - Sizing
 - Commonly Specified Options
 - Installation Considerations
 - Maintenance & Cleaning
 - Typical Installations
- Oil Interceptors
 - Design & Operation
 - Materials
 - Pipe Connections
 - Sizing
 - Commonly Specified Options
 - Installation Considerations
 - Maintenance & Cleaning
 - Typical Installations
- Sediment Interceptors
 - Design & Operation
 - Materials
 - Pipe Connections
 - Sizing
 - Commonly Specified Options
 - Installation Considerations
 - Maintenance & Cleaning
 - Typical Installations



Interceptors

Pictorial Index



WD SERIES
PDI Certified Grease Interceptor



WD-L SERIES
PDI Certified Low Rough-in Grease Interceptor



GI-K SERIES
Large Capacity Grease Interceptor



WD-A SERIES
Semi-Automatic Draw-Off Grease Interceptor



WD-LA SERIES
Low Rough-in Semi-Automatic Grease Interceptor



WD-H SERIES
Grease Interceptor with Access Housing



WD-AH SERIES
Semi-Automatic Grease Interceptor w/Housing



OI SERIES
Oil Interceptor



OI-K SERIES
Large Capacity Oil Interceptor



OI-ST SERIES
Oil Interceptor with Integral Storage Tank



SI-742
Hair, Plaster & Sediment Interceptor



SI-740-L
Sediment & Hair Interceptor



SI-750
Cast Iron Hair Interceptor



SI-750-TO
Chrome Plated Hair Interceptor



SI-762
Bottom Access Hair, Plaster & Sediment Interceptor



SI-770
Solids Interceptor

Consult factory for all applications outside of listed parameters.
Prices do not include applicable taxes.

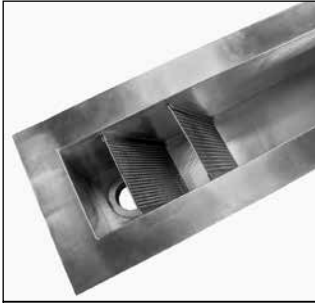


Interceptors

Pictorial Index



LI-800-SERIES
Lint Interceptor



LI-LT Series
Stainless Steel
Lint Trough



SA-SERIES
Heavy Duty Sand &
Sediment Interceptor



ST-SERIES
Sand Trap

Interceptors

Recommendations

Application	Product
Art rooms, dental labs, metal recovery	SI-742, SI-742-I, SI-762
Cooking, food prep	WD Series, GI-K Series,
Commercial laundry, washing machines	LI-800 Series
Dish cleaning sinks, dishwashers	WD Series, GI-K Series
Elevator pits, oil spill areas	OI Series, OI-K Series
Hair wash sinks	SI-750, SI-750-TO
Sand & sediment run-off	SA Series, ST Series
Vehicle maintenance areas	OI Series, OI-K Series

Grease Interceptors

Design & Operation

Watts hydro-mechanical grease interceptors are designed to remove fats, oils, and grease from waste water. Grease interceptors prevent greasy substances from entering plumbing systems, septic fields, and waste water treatment facilities, where they are difficult to process, and create environmental problems. Commonly specified in commercial kitchen and food processing areas, properly specified and maintained interceptors keep drainage systems free of problematic grease accumulations.

Grease interceptors will separate all lighter-than-water substances, collecting them inside the interceptor, above the static water line. Design criteria is regulated by plumbing code, and generally follows or references criteria set forth by The Plumbing & Drainage Institute (PDI), which tests and certifies standard capacity interceptors. The accepted industry and PDI Standard (PDI-G101) is for interceptors to maintain 90% separation efficiency, up to their rated grease retention capacity (in. lbs.).

The interception process is accomplished by slowing incoming effluent with a flow restrictor (supplied with the interceptor), and directing it through baffling. The slowing and baffling processes enable greasy substances to accumulate on top of the static water line, and treated water to exit into the drainage system, through a trap leg on the outlet side of the interceptor.

Materials

Acid Resistant Epoxy Coated Steel (standard)

Interceptor bodies are 11 ga. cold rolled steel, with an oven cured, acid resistant baked grey epoxy coating, inside and out. Standard cover is epoxy coated 1/4" skid-proof checker plate steel, gasketed, and secured with hex head center bolt(s).

Stainless Steel (-SS)

11 gauge, in accordance with ASTM-351-Grade CF8 (Type 304) standard specification. Highly durable and resistant to corrosion.

Interceptors

Grease Interceptors

Pipe Connections

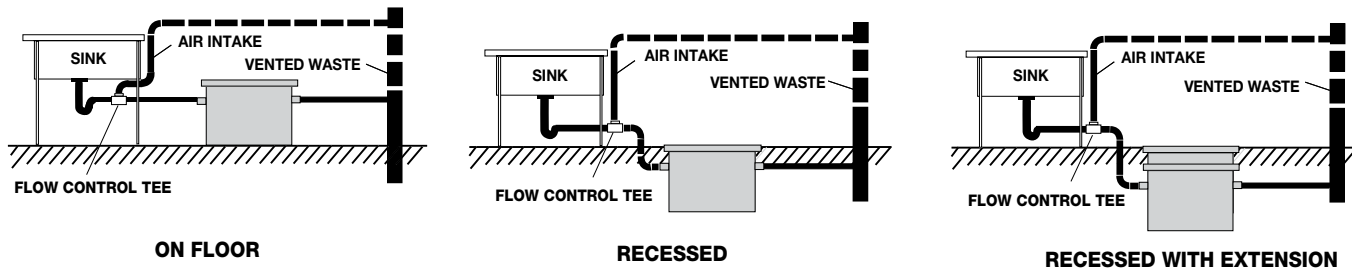
No hub (standard)

Butt connection using a no hub or neoprene coupling. Suitable for cast iron, plastic, and most other piping applications.

Threaded (-THD)

Female threaded outlet for connection to IPS threaded pipe.

Standard Configurations



Sizing

Grease interceptors are sized according to the rate of incoming flow, in gallons per minute (GPM). Associated with the incoming flow rate is an interceptor's capacity. The rated capacity, in lbs., is listed at twice the flow rate, in GPM. For example, a 10 GPM interceptor has a rated capacity of 20 lbs.

General Procedure:

To Determine the Flow Rate of Each Sink:

1. Calculate the capacity of the sink in cubic inches:
 $\text{____ (LENGTH) x ____ (WIDTH) x ____ (DEPTH) = ____ CU. IN.}$
2. Convert the capacity from cubic inches to gallons per minute (GPM): $\text{____ CU.IN} \div 231 = \text{____ GPM.}$
3. Adjust for displacement: $\text{____ GPM x 0.75 = ____ GPM.}$
4. **Result is the flow rate required to drain the sink in one minute.***

**Note: If drain down time is not critical, an interceptor with a lesser flow rate, up to half the calculated flow rate may be specified.*

Example:

Three compartment pot sink, each compartment 12" x 12" x 15"

1. $12" \times 12" \times 15" = 2160 \text{ cu. in.} \times 3 \text{ comp.} = 6480 \text{ cu. in.}$
2. $6480 \text{ cu. in.} \div 231 = 28 \text{ GPM.}$
3. $28 \text{ GPM} \times 0.75 = 21 \text{ GPM.}$

A 20 GPM interceptor would permit the sink to drain in slightly more than one minute.

*Discharge from spray hoods is determined by the flow rate of the hood.

Sizing For Multiple Fixtures:

1. Determine the flow rate for each fixture to be serviced by the interceptor.
2. Add together 100% of the largest flow rate, 50% of the second largest, and 25% of all others.
3. **Result is the recommended flow rate of the interceptor.**

Example:

1. Fixture A: 35 GPM Flow Rate
Fixture B: 26 GPM Flow Rate
Fixture C: 18 GPM Flow Rate
Fixture D: 12 GPM Flow Rate
2. $35 \text{ GPM (A) x 100\%} = 35 \text{ GPM}$
 $26 \text{ GPM (B) x 50\%} = 13 \text{ GPM}$
 $30 \text{ GPM (C + D) x 25\%} = 7.5 \text{ GPM}$

Total Flow Rate = 55.5 GPM

A 50 GPM interceptor is recommended for this installation.



Consult factory for all applications outside of listed parameters.
Prices do not include applicable taxes.

Interceptors

Grease Interceptors

Commonly Specified Options

-B Sediment Bucket

Epoxy coated steel, located inside the interceptor on the inlet side. Collects large food or other particles.

Note: To the extent possible, solids should be collected prior to the interceptor, or at the fixture. Large particles approaching the interceptor can clog the flow restrictor, slowing drainage, and causing back-up difficulties. See Watts SI-770 Solids Interceptor.

-E Extension

Bolt-on extension, increases the invert dimension to accommodate below grade piping. Extensions can be installed after an interceptor is piped in.

-FC Flange & Clamp Device

Specified for above grade installations to secure a waterproofing membrane.

-HD Heavy Duty Traffic Cover

Rated 10,000 lbs. maximum safe live load.

Note: A minimum 3" extension is required with the -HD option.

-O Inlet and Outlet other than Standard Size

Flow is regulated by the flow restrictor, so mis-matched piping/interceptor connection sizes generally do not affect performance. Piping that does not match the interceptor connection size is typically accommodated with transition couplings or bushings.

-US Buy American Compliant

Product will be supplied with minimum 51% domestic content, in compliance with FAR 52.225-9 Buy American Act.

Installation Considerations

- a) Grease interceptors should be located as near as possible to the fixture(s) being served. Long piping runs between a fixture and the interceptor will accumulate grease, causing drainage and clogging problems.
- b) Grease interceptors may be floor mounted, under or beside the sink, or recessed in the floor to allow passage of foot traffic, or connect to below grade piping.
- c) Grease interceptors may be installed outside, making sure all piping is below the frost line (see Options - Extension).
- d) WD Series PDI Certified interceptors are supplied with an external flow restrictor, which must be installed between the last fixture serviced and the interceptor inlet. Other models may be supplied with internal flow control plates, located just inside the interceptor inlet. Check local plumbing codes for specific flow control requirements.
- e) Venting is recommended on both the inlet and outlet side of the interceptor, or as governed by local code. Units supplied with external flow controls are vented from the connection on the top of the flow control tee. Interceptor lids are gasketed, but venting is necessary to prevent odors from escaping through the lid.
- f) Grease interceptors do not replace fixture "traps". Fixtures must be trapped separately to prevent odors from the interceptor returning through the fixture drain.

Maintenance & Cleaning

The capacity of the interceptor (lbs.), and the amount of incoming grease determine cleaning frequency. The amount of accumulated grease must be kept below the rated capacity of the interceptor to maintain proper separation efficiency.

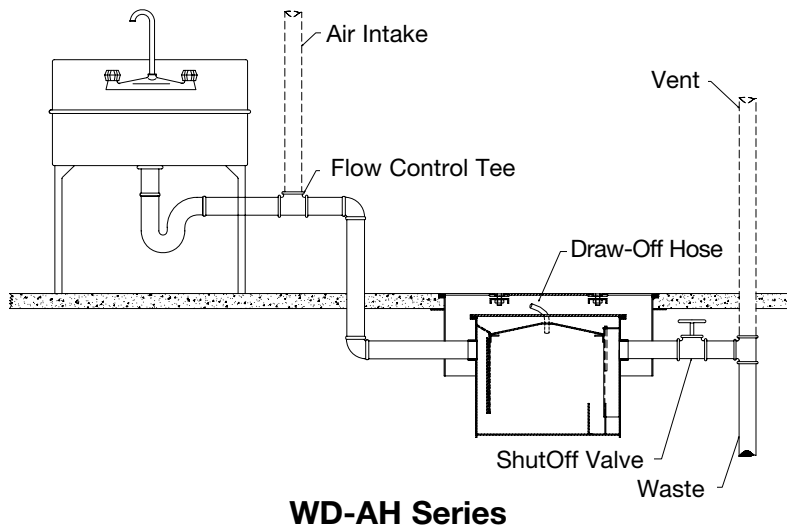
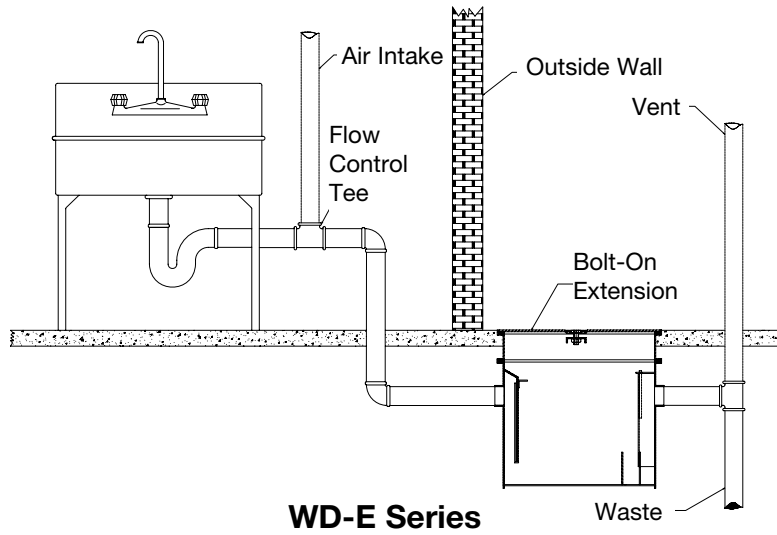
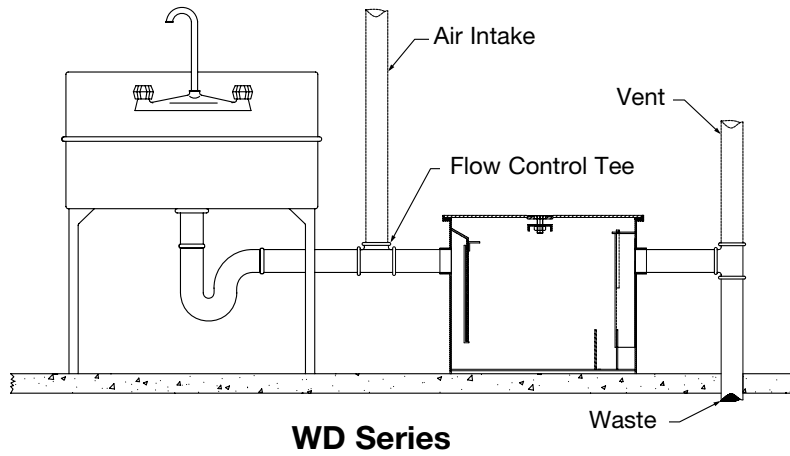
Manual operation grease interceptors are cleaned by removing the cover (secured with hex bolts), and scooping out grease accumulated at the top of the interceptor. Grease can be removed manually, or pumped by outside service. Check local ordinances for proper grease disposal.

Semi-automatic interceptors are cleaned as follows:

- 1) With the outlet valve open, run a full stream of hot water (140 degrees min.) through the interceptor for at least 2 minutes.
- 2) Allow unit to cool for approx. 3 minutes.
- 3) Close the valve on the outlet side of the interceptor.
- 4) Remove cap from top of interceptor and attach draw-off hose. Position hose to drain into waste receptacle.
- 5) Run hot water through the interceptor at a rate of 1.5-2.5 GPM.
- 6) The interceptor will fill, then force liquefied grease out through the top draw-off hose.
- 7) When clear water begins to discharge, the interceptor is clean.
- 8) Disconnect draw-off hose, and replace pipe cap.
- 9) Reopen valve on outlet. Interceptor is now ready for normal use.

Interceptors

Typical Grease Interceptor Installations



Interceptors

Oil Interceptors

Design & Operation

Watts oil interceptors are designed to separate oily waste from interior drainage systems, or exterior run-off areas. Commonly specified in service stations, vehicle maintenance facilities, and parking areas, oil interceptors prevent environmentally damaging and potentially dangerous oily substances from entering septic fields, run-off areas, and waste water treatment facilities.

Similar to grease interceptors in operation, oil interceptors accumulate lighter-than-water oily waste inside the interceptor, above the static water line. Typically oil is drained automatically from the interceptor through a draw-off valve, and gravity fed to an approved underground oil storage tank (by others), for storage and eventual removal.

Materials

Acid Resistant Epoxy Coated Steel (standard)

Interceptor bodies are 11 ga. cold rolled steel, with an oven cured, acid resistant baked grey epoxy coating, inside and out. Standard cover is epoxy coated 1/4" skid-proof checker plate steel, gasketed, and secured with hex head center bolt(s).

Stainless Steel (-SS)

11 gauge, in accordance with ASTM-351-Grade CF8 (Type 304) standard specification. Highly durable and resistant to corrosion.

Pipe Connections

No Hub (standard)

Butt connection using a no hub or neoprene coupling. Suitable for cast iron, plastic, and most other piping applications.

Threaded (-THD)

Female threaded outlet for connection to IPS threaded pipe.

Sizing

Oil interceptors are sized according to the incoming rate of flow, in gallons per minute (GPM).

For most indoor applications, the flow rate can be calculated by adding maximum discharge rates of all potential water sources. For example, a standard 3/4" hose connection will discharge approx. 10 GPM. A service garage with three hose connections would have a maximum potential flow rate of $10 \text{ GPM} \times 3 = 30 \text{ GPM}$.

For outdoor applications involving rainwater run-off, flow rate should be derived from local rainfall tables, and the slope characteristics of the area to be drained.

Commonly Specified Options

-B Sediment Bucket

Epoxy coated steel, located inside the interceptor on the inlet side. Collects large food or other particles.

Note: To the extent possible, solids should be collected prior to the interceptor, or at the fixture. Large particles approaching the interceptor can clog the flow restrictor, slowing drainage, and causing back-up difficulties. See Watts SI-770 Solids Interceptor.

-E Extension

Bolt-on extension, increases the invert dimension to accommodate below grade piping. Extensions can be installed after an interceptor is piped in.

-FC Flange & Clamp Device

Specified for above grade installations to secure a waterproofing membrane.

-HD Heavy Duty Traffic Cover

Rated 10,000 lbs. maximum safe live load.

Note: A minimum 3" extension is required with -HD option.

-O Inlet and Outlet other than Standard Size

Flow is regulated by the flow restrictor, so mismatched piping/interceptor connection sizes generally do not affect performance. Piping that does not match the interceptor connection size is typically accommodated with transition couplings or bushings.

-US Buy American Compliant

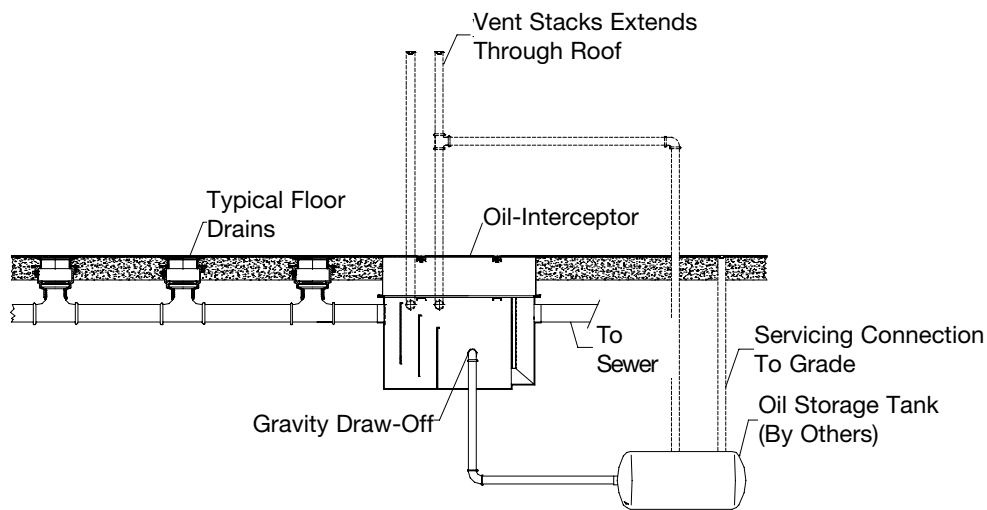
Product will be supplied with minimum 51% domestic content, in compliance with FAR 52.225-9 Buy American Act.

Interceptors

Oil Interceptors

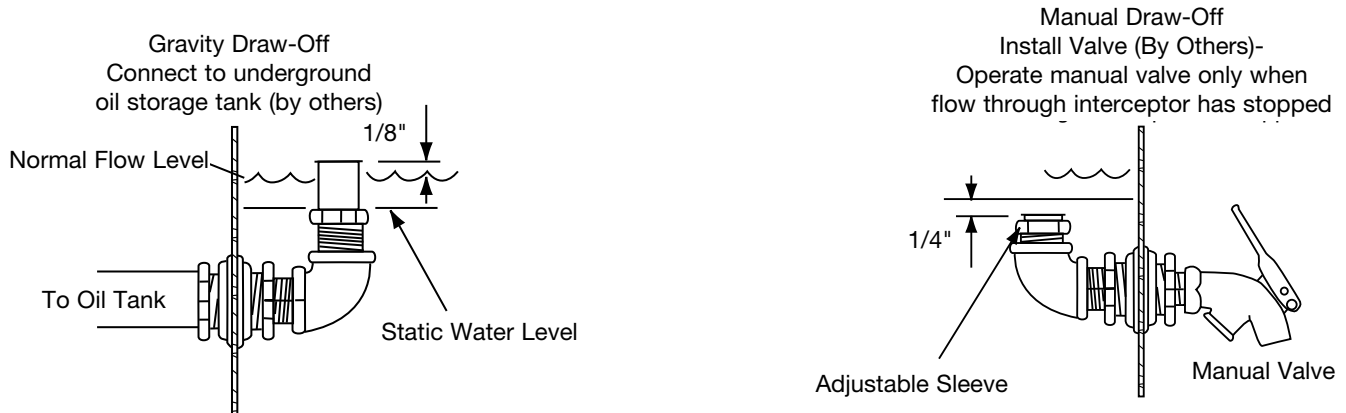
Installation Considerations

- Oil interceptors may be floor mounted, but are typically recessed to connect to below grade piping from floor drains or trench drains.
- Check local ordinances for proper storage of accumulated oil. Typically provisions must be made to connect the oil interceptor to an approved underground oil storage tank (by others). Where conditions and codes permit, the oil interceptor may be housed inside a pit, and drained with a manual valve (by others) attached to the draw-off connection.
- Oil interceptors may be installed outside, making sure all piping is below the frost line (see Options - Extension).
- Vent lines must be attached to the dual no hub vent connections on the side of the interceptor. The lines should be terminated outside the building, 12" apart in elevation, to allow circulation and venting of heavier-than-air fumes. Inlet piping should also be vented through the roof, or as governed by local code.



Maintenance & Cleaning

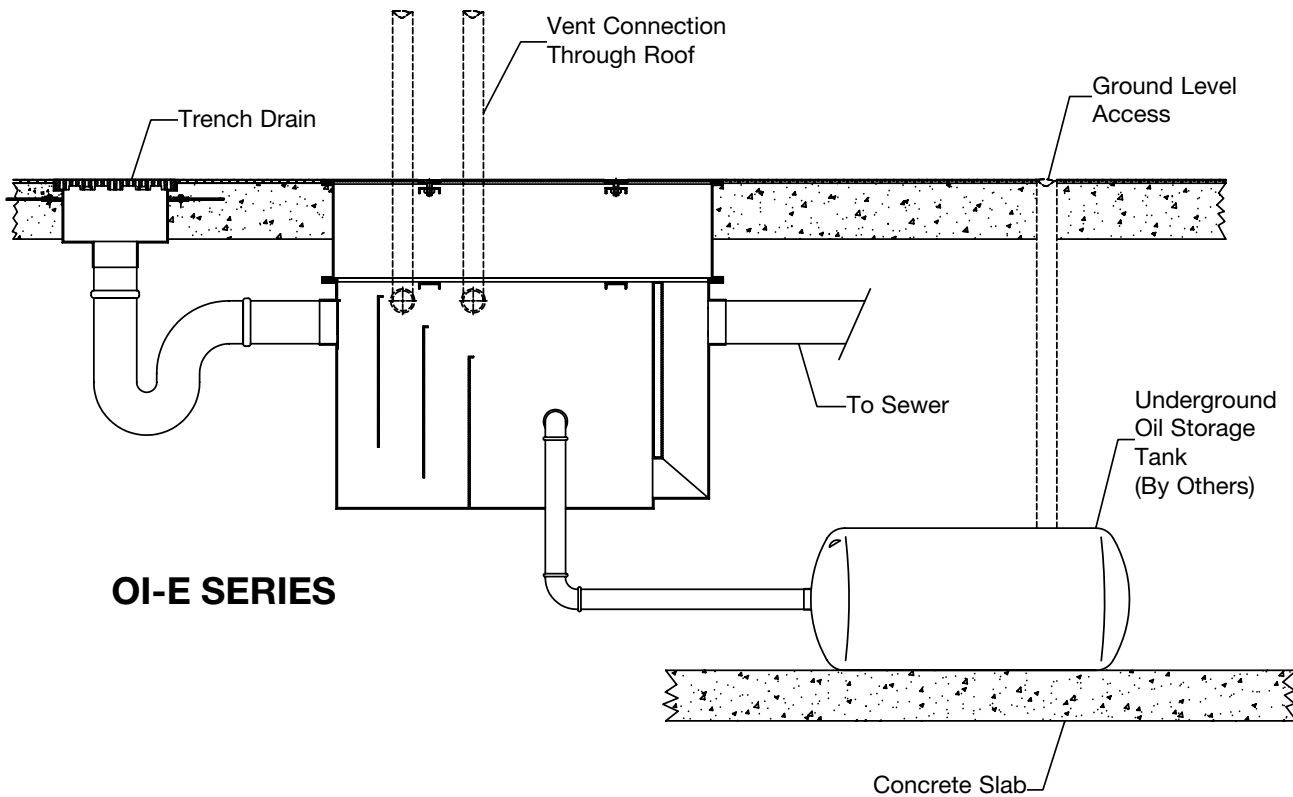
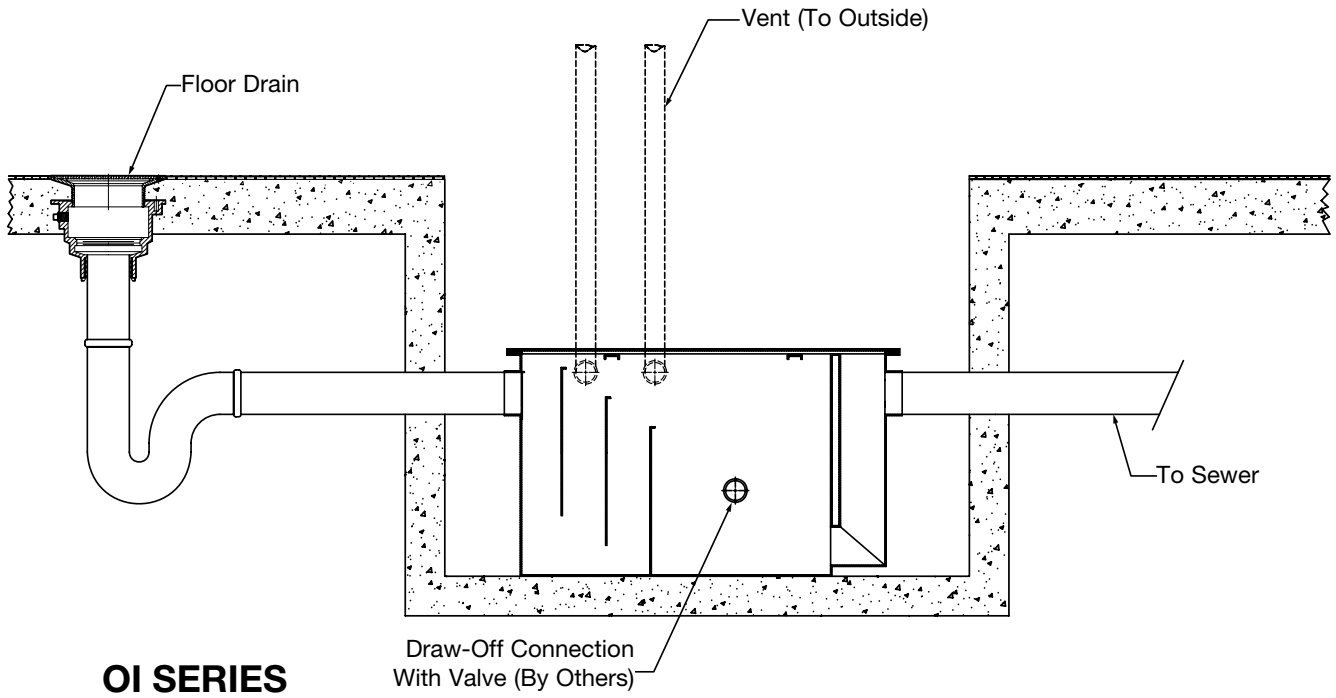
Oil interceptors are not designed to store oil for an extended period of time. Oil should be drawn off or drained into an approved oil storage tank, which would be serviced as required. If a manual valve is used, accumulated oil should be drained on a regular basis, depending upon the amount of incoming effluent. The oil interceptor lid should be removed periodically, and a visual inspection made, for sludge or other accumulations.



****Note:** Watts Oil Interceptors supplied standard with draw-off connection on right side and vent connections on left (when facing inlet).

Interceptors

Typical Oil Interceptor Installations



Consult factory for all pricing and applications outside of listed parameters.

Prices do not include applicable taxes.

WATTS[®]

Interceptors

Sediment Interceptors

Design & Operation

Watts sediment interceptors are designed to separate heavier-than water sediment, or floating debris, such as hair or lint, from plumbing waste systems. Sediment interceptors trap debris with a combination of screening, and gravity separation for heavier solids and sediments. Debris accumulates inside the interceptor, and is periodically removed.

Materials

Acid Resistant Epoxy Coated Steel (standard)

Interceptor bodies are 11 ga. cold rolled steel, with an oven cured, acid resistant baked grey epoxy coating, inside and out. Standard cover is epoxy coated 1/4" skid-proof checker plate steel, gasketed, and secured with hex head center bolt(s).

Stainless Steel (-SS)

11 gauge, in accordance with ASTM-351-Grade CF8 (Type 304) standard specification. Highly durable and resistant to corrosion.

Pipe Connections

No Hub (standard)

Butt connection using a no hub or neoprene coupling. Suitable for cast iron, plastic, and most other piping applications.

Threaded (-THD)

Female threaded outlet for connection to IPS threaded pipe.

Sizing

Sediment interceptors are sized either by rate of flow, or anticipated amount of debris. See specification pages for specific flow rates and sizing.

Commonly Specified Options

-E Extension

Bolt-on extension, increases the invert dimension to accommodate below grade piping. Extensions can be installed after an interceptor is piped in.

-FC Flange & Clamp Device

Specified for above grade installations to secure a waterproofing membrane.

-HD Heavy Duty Traffic Cover

Rated 10,000 lbs. maximum safe live load.

Note: A minimum 3" extension is required with -HD option.

-O Inlet and Outlet other than Standard Size

Flow is regulated by the flow restrictor, so mismatched piping/interceptor connection sizes generally do not affect performance. Piping that does not match the interceptor connection size is typically accommodated with transition couplings or bushings.

-US Buy American Compliant

Product will be supplied with minimum 51% domestic content, in compliance with FAR 52.225-9 Buy American Act.

-X Cover for Recessed Installation

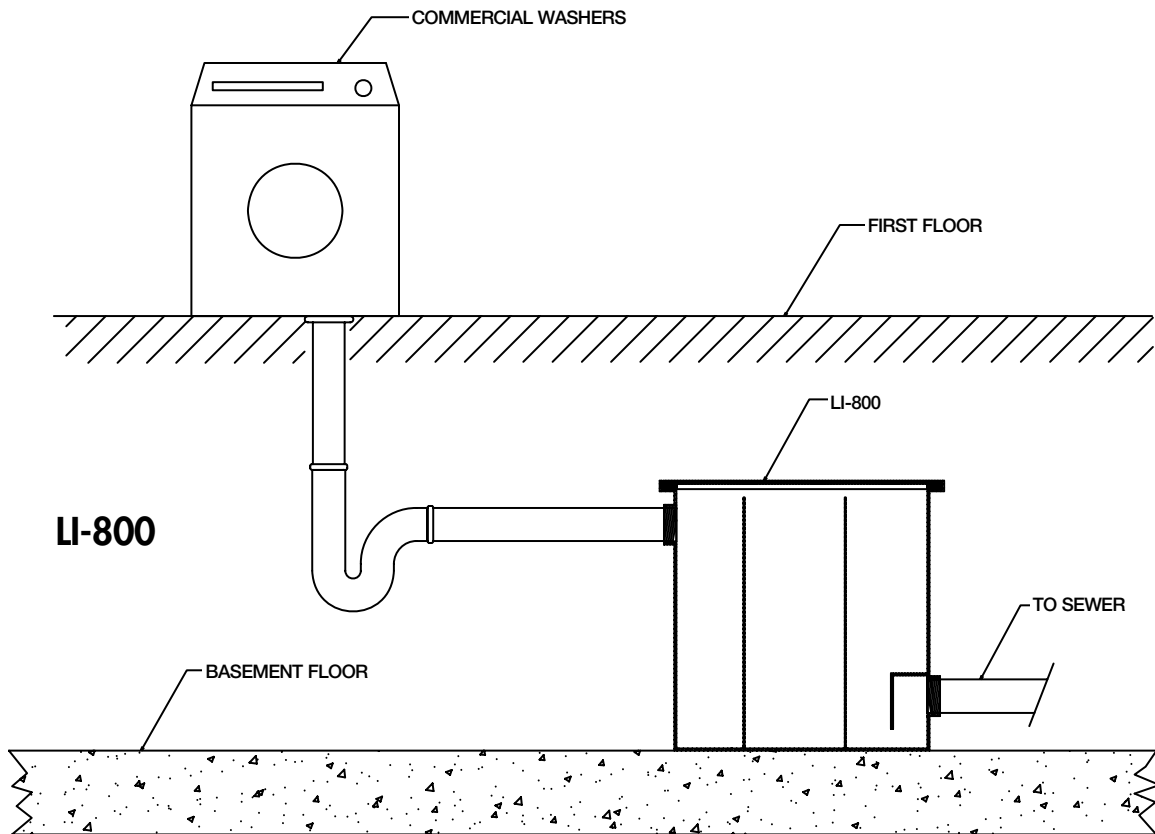
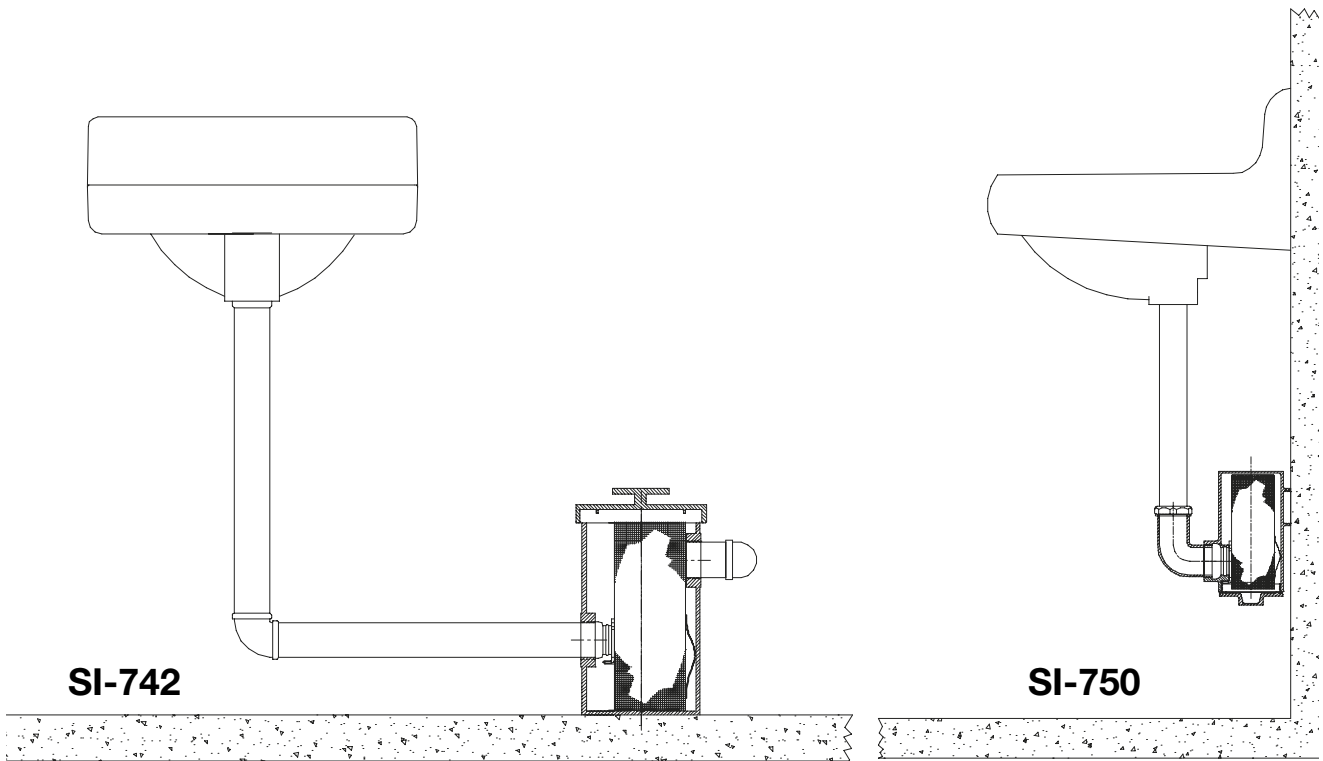
Allows smaller floor mounted interceptors to be recessed in the floor.

Maintenance & Cleaning

Sediment interceptors must be routinely inspected and cleaned, in order to prevent clogging, and maintain operating efficiency. Maintenance frequency is dependent upon the specific application, and amount of incoming debris.

Interceptors

Typical Sediment Interceptor Installations



Consult factory for all pricing and applications outside of listed parameters.

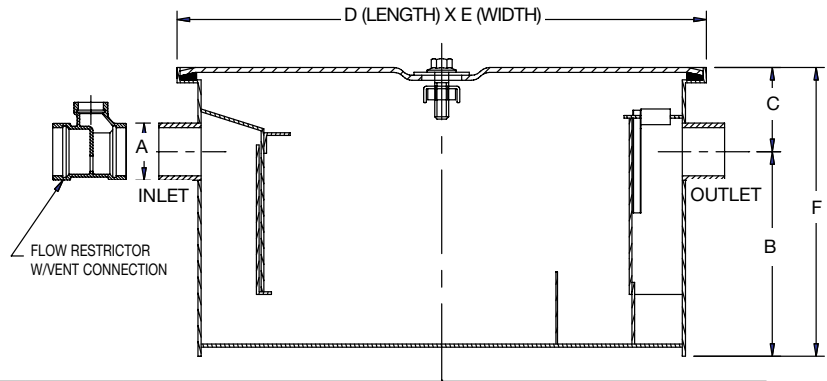
Prices do not include applicable taxes.



Grease Interceptors

WD Series

PDI Certified Grease Interceptor



ISO 9001-2008
CERTIFIED

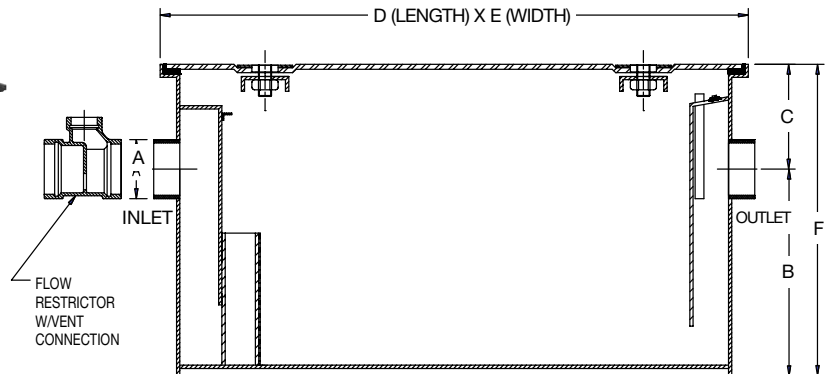


Interceptor Model Number	EDP#	List Price A.R.E.	-HD 10,000 Lbs. (Traffic Cover) Add	Flow Rate GPM	Grease Capacity Lbs.	A Inlet & Outlet	B Base to Center	C Top to Center	D Length	E Width	F Height	Weight Lbs.
WD-4	8150959	\$3,538.00	\$8,554.00	04	08	2"	7-3/4"	3-1/4"	16"	10"	11"	37.48
WD-7	8150960	4,914.00	9,046.00	07	14	2"	8-1/2"	3-1/2"	18"	13"	12"	54.01
WD-10	8150961	5,771.00	10,052.00	10	20	2"	8-1/2"	3-1/2"	21-3/4"	14"	12"	63.93
WD-15	8150962	8,554.00	11,109.00	15	30	2"	10-1/2"	3-1/2"	22"	15"	14"	74.07
WD-20	8150963	10,462.00	11,636.00	20	40	3"	11-1/2"	3-1/2"	24"	15-3/4"	15"	83.77
WD-25	8150964	11,755.00	12,283.00	25	50	3"	12"	4-1/2"	26"	16-1/2"	16-1/2"	95.90
WD-35	8150965	14,524.00	16,904.00	35	70	3"	14"	5"	30"	18"	19"	123.46
WD-50	8150966	19,230.00	18,547.00	50	100	4"	16"	5-1/2"	32"	22"	21-1/2"	160.94

*-HD Option Requires Minimum 3" Extension

WD-L Series

PDI Certified Low-Rough-In Grease Interceptor



Interceptor Model Number	EDP#	List Price A.R.E.	Flow Rate GPM	Grease Capacity Lbs.	A Inlet & Outlet	B Base to Center	C Top to Center	D Length	E Width	F Height	Weight Lbs.
WD-20-L	8151237	\$14,102.00	20	40	3"	7-3/4"	4"	35"	23"	12"	62.10
WD-35-L	8151746	18,155.00	35	70	4"	7"	4-1/2"	41"	33"	12"	93.70
WD-50-L	8100892	30,754.00	50	100	4"	8-1/2"	5-1/2"	55"	33"	14"	130.70

*Note: WD-50-L Not PDI Certified

Options for WD & WD-L Series:

Suffix	Description	List Price	Suffix	Description	List Price
-AL	Aluminum Cover	\$2,565.00	-O	Inlet & Outlet other than Standard Size	\$986.50
-B	Sediment Bucket	2,959.00	-SS	All Stainless Steel	P.O.A.
-E	Extension Up to 12"	6,411.00	-THD	Threaded Connection	No Add
	Extension over 12" add per inch	453.00			
-FC	Flange & Clamp Device	2,414.00			

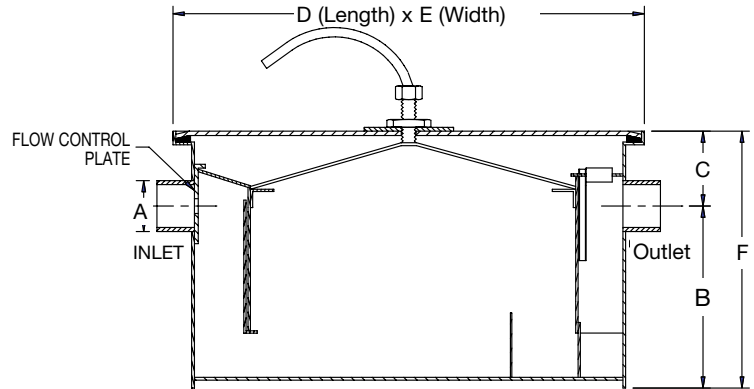


Consult factory for all pricing and applications outside of listed parameters.
Prices do not include applicable taxes.

Grease Interceptors

WD-A Series

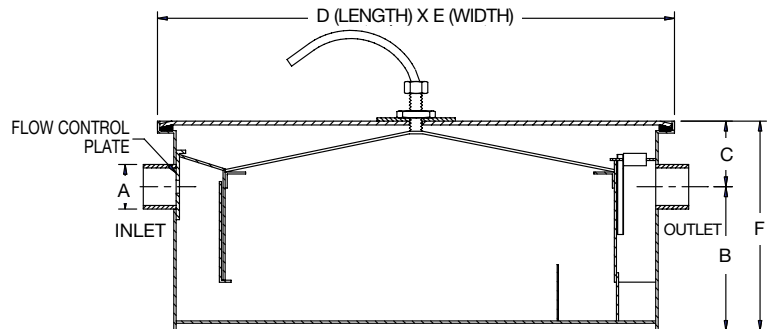
Semi-Automatic Draw-Off Grease Interceptor



Interceptor Model Number	EDP#	List Price A.R.E.	Flow Rate GPM	Grease Capacity	A Inlet & Outlet	B Base to Center	C Top to Center	D Length	E Width	F Height	Weight Lbs.
WD-7-A	8185874	\$12,554.00	7	14	2"	8-1/2"	3-1/2"	18"	13"	12"	59.01
WD-10-A	8186041	14,849.00	10	20	2"	8-1/2"	3-1/2"	21-3/4"	14"	12"	68.93
WD-15-A	8185878	15,820.00	15	30	2"	10-1/2"	3-1/2"	22"	15"	14"	79.07
WD-20-A	8185818	20,336.00	20	40	3"	11-1/2"	3-1/2"	24"	15-3/4"	15"	88.77
WD-25-A	8185821	23,591.00	25	50	3"	12"	4-1/2"	26"	16-1/2"	16-1/2"	100.90
WD-35-A	8185828	24,200.00	35	70	3"	14"	5"	30"	18"	19"	128.46
WD-50-A	8186078	27,626.00	50	100	4"	16"	5-1/2"	32"	22"	21-1/2"	165.94
WD-75-A	8186016	32,865.00	75	150	4"	18-1/2"	5-1/2"	36"	24"	24"	N/A

WD-LA Series

Low Rough-In Semi-Automatic Draw-Off Grease Interceptor



Interceptor Model Number	EDP#	List Price A.R.E.	Flow Rate GPM	Grease Capacity Lbs.	A Inlet & Outlet	B Base to Center	C Top to Center	D Length	E Width	F Height	Weight Lbs.
WD-20-LA	8186042	\$23,459.00	20	40	3"	7-3/4"	4"	35"	23"	12"	67.10
WD-25-LA	8188164	25,116.00	25	50	3"	7-1/2"	4-1/2"	38"	28"	12"	N/A
WD-35-LA	8186006	33,066.00	35	70	4"	7"	4-1/2"	41"	33"	12"	98.70

Options for WD-A, WD-LA, WD-AH, WD-H Series:

Suffix	Description	List Price
-O	Inlet & Outlet other than Standard	\$986.50
-SS	All Stainless Steel	P.O.A.

Consult factory for all pricing and applications outside of listed parameters.

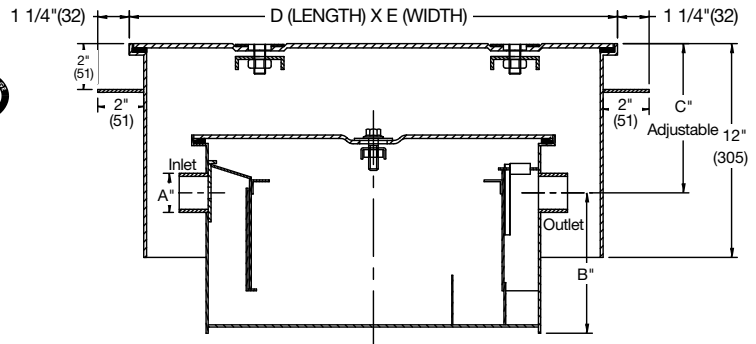
Prices do not include applicable taxes.



Grease Interceptors

WD-H

Grease Interceptor with Access Housing

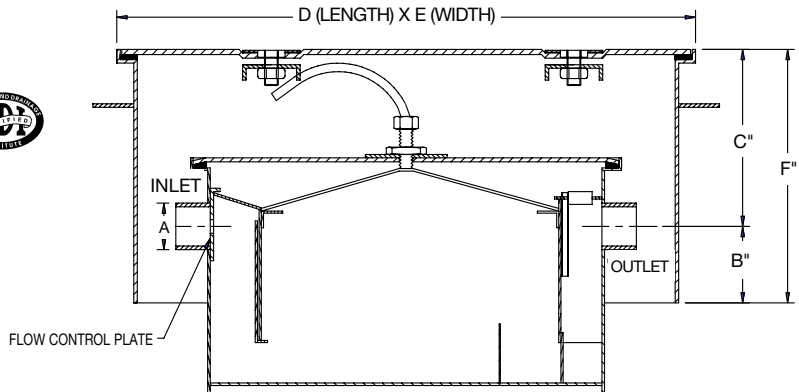


Interceptor Model Number	EDP#	List Price A.R.E.	Flow Rate GPM	Grease Capacity	A Inlet & Outlet	B Base to Center Min. Max.	C Top to Center Min. Max.	D Length	E Width	F Height
WD-7-H	8187953	\$14,212.00	7	14	2"	V 5-1/2"	5-1/4" 13-1/4"	35"	18-1/2"	12"
WD-10-H	8188389	15,459.00	10	20	2"	A 5-1/2"	5-1/4" 13-1/4"	39"	19-1/2"	12"
WD-15-H	8187586	18,929.00	15	30	2"	R 5-1/2"	5-1/4" 13-1/4"	39"	20-1/2"	12"
WD-20-H	8185840	21,507.00	20	40	3"	I 5-1/2"	5-1/4" 13-1/4"	41"	21-1/2"	12"
WD-25-H	8185816	23,085.00	25	50	3"	A 4-1/2"	6-1/4" 14-1/4"	43"	22"	12"
WD-35-H	8186158	26,355.00	35	70	3"	B 4"	6-3/4" 14-3/4"	47"	23-1/2"	12"
WD-50-H	8185902	36,469.00	50	100	4"	L 3-1/2"	7-1/4" 15-1/4"	49"	27-1/2"	12"
WD-75-H	8188724	46,963.00	75	150	4"	E 3-1/2"	7-3/4" 15-3/4"	53"	29-1/2"	12"

(Housing dimensions only; for Interceptor only dimensions, see WD-A Series)

WD-AH Series

Semi-Automatic Draw-Off Grease Interceptor with Access Housing



Interceptor Model Number	EDP#	List Price A.R.E.	Flow Rate GPM	Grease Capacity Lbs.	A Inlet & Outlet	B Base to Center Min. Max.	C Top to Center Min. Max.	D Length	E Width	F Height
WD-7-AH	8186150	\$22,649.00	7	14	2"	V 5-1/2"	5-1/4" 13-1/4"	35"	18-1/2"	12"
WD-10-AH	8186167	26,569.00	10	20	2"	A 5-1/2"	5-1/4" 13-1/4"	39"	19-1/2"	12"
WD-15-AH	8186613	28,847.00	15	30	2"	R 5-1/2"	5-1/4" 13-1/4"	39"	20-1/2"	12"
WD-20-AH	8186017	33,576.00	20	40	3"	I 5-1/2"	5-1/4" 13-1/4"	41"	21-1/2"	12"
WD-25-AH	8186040	37,071.00	25	50	3"	A 4-1/2"	6-1/4" 14-1/4"	43"	22"	12"
WD-35-AH	8185887	38,614.00	35	70	3"	B 4"	6-3/4" 14-3/4"	47"	23-1/2"	12"
WD-50-AH	8185851	42,175.00	50	100	4"	L 3-1/2"	7-1/4" 15-1/4"	49"	27-1/2"	12"
WD-75-AH	8186085	50,539.00	75	150	4"	E 3-1/2"	7-3/4" 15-3/4"	53"	29-1/2"	12"

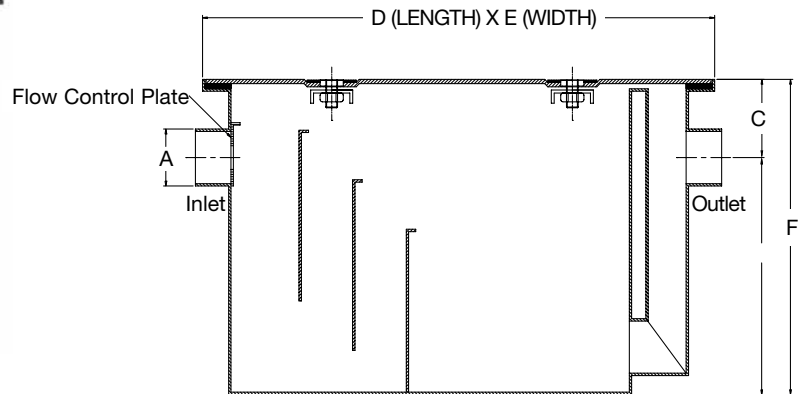
(Housing dimensions only; for Interceptor only dimensions, see WD-A Series)

Grease Interceptors

GI-K SERIES

Large Capacity Grease Interceptor

Interceptor Model Number	EDP#	List Price	-HD 10,000 lbs. (Traffic Cover)* Add	Flow Rate GPM	Grease Capacity Lbs.	A Inlet & Outlet	B Base to Center	C Top to Center	D Length	E Width	F Height	Weight Lbs.
GI-75-K	8142012	\$38,751.00	\$12,313.00	75	150	4"	18-1/2"	4-1/2"	39-3/4"	30-3/4"	23"	264.55
GI-100-K	8141970	43,602.00	16,944.00	100	200	4"	28-1/2"	4-1/2"	39-3/4"	30-3/4"	33"	317.46
GI-150-K	8141976	48,430.00	21,752.00	150	300	4"	38-1/2"	4-1/2"	39-3/4"	30-3/4"	43"	401.24
GI-200-K	8141981	51,278.00	24,810.00	200	400	4"	36-1/2"	6-1/2"	52"	34"	43"	493.83
GI-250-K	8185196	81,768.00	34,246.00	250	500	4"	39-1/2"	6-1/2"	52"	34"	46"	639.33
GI-300-K	8185587	96,165.00	43,867.00	300	600	6"	38"	10"	76"	48"	48"	848.77
GI-400-K	8186246	117,666.00	59,570.00	400	800	6"	42"	10"	83"	55"	52"	959.00
GI-500-K	8185903	139,586.00	80,222.00	500	1000	6"	53"	10"	91"	60"	63"	1289.69



*-HD Option Requires Minimum 3" Extension

Options for GI-K Series:

Suffix	Description	List Price	Suffix	Description	List Price
AL	Aluminum Cover	\$12,689.00	-0	Inlet & Outlet Other Than Standard Size	\$986.50
B	Sediment Bucket	5,376.00	-SS	All Stainless Steel	P.O.A.
E	Extension Up to 12"	8,547.00	-THD	Threaded Connections	No Add
	Extension Over 12", add per inch	731.00			
-FC	Flange & Clamp Device (on extension only)	6,840.00			

Consult factory for all pricing and applications outside of listed parameters.

Prices do not include applicable taxes.

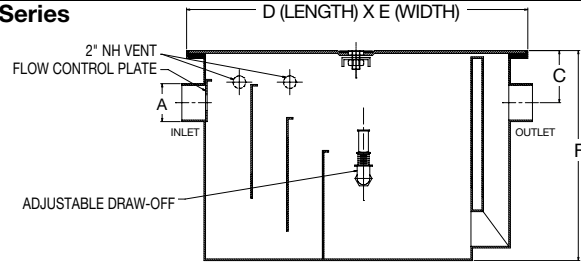


Oil Interceptors

OI & OI-K Series Oil Interceptors

Interceptor Model Number	EDP#	Flow Rate GPM	List Price	-HD 10,000 (Traffic Cover)* Add
OI-10	8143676	10	\$7,871.00	\$8,358.00
OI-15	8143678	15	10,794.00	8,991.00
OI-20	8143680	20	11,445.00	9,518.00
OI-25	8143681	25	14,168.00	10,049.00
OI-35	8141999	35	17,226.00	11,109.00
OI-50	8143684	50	25,661.00	11,636.00

OI Series



OI Series Dimensional Data

Interceptor Model Number	Flow Rate GPM	A	C	D Length	E Width	F Height	G	H	J	K
OI-10	10	3"	4"	22-1/4"	16-3/4"	11-1/2"	3-1/2"	11-1/2"	5"	4"
OI-15	15	3"	4"	22-1/4"	16-3/4"	14-1/2"	5-1/2"	11-1/2"	5"	4"
OI-20	20	3"	4"	27-1/4"	19-1/4"	16-1/2"	6-1/2"	14-1/4"	6"	5"
OI-25	25	3"	4"	27-1/4"	19-1/4"	18-1/4"	9-1/2"	14-1/4"	6"	5"
OI-35	35	4"	4"	33-3/4"	20-3/4"	18"	9-1/2"	18-1/2"	7"	6"
OI-50	50	4"	4"	33-3/4"	20-3/4"	21-1/2"	13"	18-1/2"	7"	6"

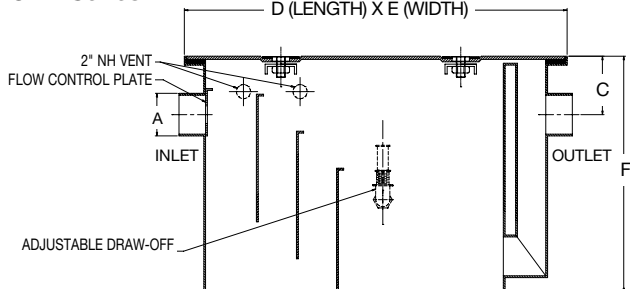
Options for OI Series:

Suffix	Description	List Price	Suffix	Description	List Price
B	Sediment Bucket	\$2,959.00	-O	Inlet & Outlet Other Than Standard Size	\$986.50
E	Extension Up to 12"	6,411.00	-SS	All Stainless Steel	P.O.A.
-FC	Extension Over 12", add per inch Flange & Clamp Device	453.00	-THD	Threaded Connections	No Add
		2,262.00			

OI-K Series Dimensional Data

Interceptor Model Number	EDP#	Flow Rate GPM	List Price	-HD 10,000 (Traffic Cover)* Add
OI-75-K	8143685	75	\$40,123.00	\$12,283.00
OI-100-K	8143677	100	53,833.00	16,902.00
OI-150-K	8185201	150	63,060.00	21,708.00
OI-200-K	8185203	200	76,103.00	24,756.00
OI-250-K	8185180	250	88,137.00	34,170.00
OI-300-K	8186165	300	99,795.00	43,866.00
OI-400-K	8186735	400	131,964.00	59,569.00
OI-500-K	8186543	500	166,450.00	72,780.00

OI-K Series



Interceptor Model Number	Flow Rate GPM	A	C	D Length	E Width	F Height	G	H	J	K
OI-75-K	75	4"	4-1/2"	39-3/4"	30-3/4"	23"	9 1/2"(241)	21-3/4"	8"	7"
OI-100-K	100	4"	4-1/2"	39-3/4"	30-3/4"	33"	19 1/2"(495)	21-3/4"	8"	7"
OI-150-K	150	4"	4-1/2"	39-3/4"	30-3/4"	43"	29 1/2"(749)	21-3/4"	8"	7"
OI-200-K	200	4"	6-1/2"	52"	34"	43"	18 1/2"(470)	41"	8"	7"
OI-250-K	250	4"	6-1/2"	52"	34"	46"	30 1/2"(775)	45"	8"	7"
OI-300-K	300	6"	10"	76"	48"	48"	28"(711)	48"	12"	10"
OI-400-K	400	6"	10"	83"	55"	52"	32"(813)	52"	12"	10"
OI-500-K	500	6"	10"	91"	60"	63"	43"(1092)	63"	12"	10"

*-HD Option Requires Minimum 3" Extension

Options for OI-K Series:

Suffix	Description	List Price	Suffix	Description	List Price
B	Sediment Bucket	\$5,376.00	-O	Inlet & Outlet Other Than Standard Size	\$986.50
E	Extension Up to 12"	8,547.00	-SS	All Stainless Steel	P.O.A.
-FC	Extension Over 12", add per inch Flange & Clamp Device	731.00	-THD	Threaded Connections	No Add
		6,840.00			

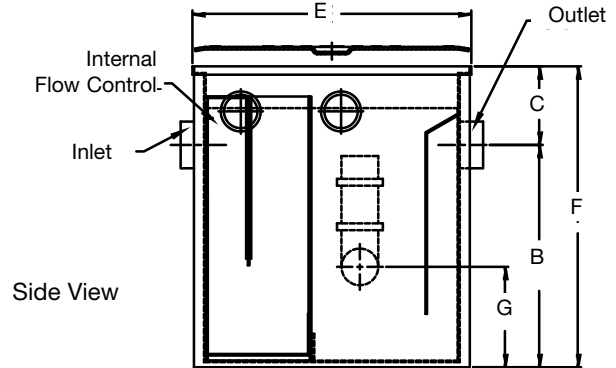
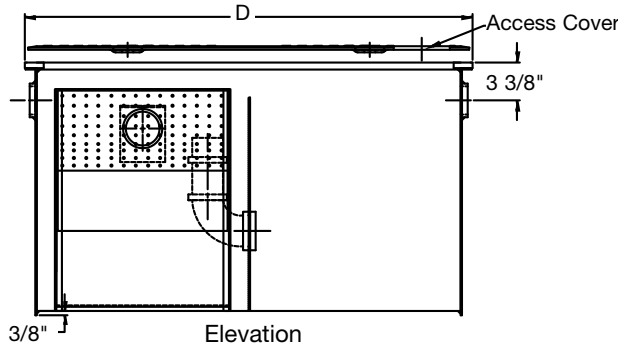
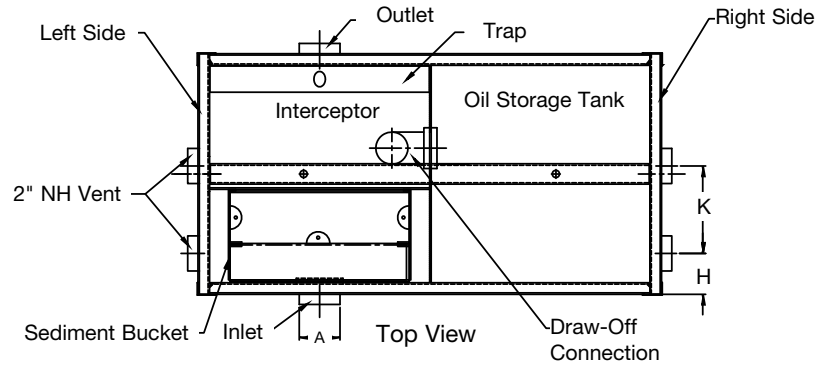


Consult factory for all pricing and applications outside of listed parameters.
Prices do not include applicable taxes.

Oil Interceptors

OI-ST Series

Oil Interceptor w/Integral Storage Tank



Inter-ceptor Model Number	EDP#	List Price	-HD 10,000 Lbs. (Traffic Cover)* Add	Flow Rate GPM	Combined Volume Gal.	A Inlet & Outlet	B Base To Center	C Top To Center	D Length	E Width	F Height	G	H	K	J
OI-10-ST	8188471	\$11,792.00	\$12,693.00	10	15	2"	8-1/2"	6"	24"	18"	14-1/2"	3"	4-1/2"	5-1/2"	6"
OI-15-ST	8189085	16,185.00	13,482.00	15	22	2"	12-1/2"	6"	33-3/4"	20-7/8"	18-1/2"	5	4-1/2"	7-1/2"	9"
OI-20-ST	8188641	19,563.00	14,278.00	20	32	3"	14-1/2"	6"	39-3/4"	20-7/8"	20-1/2"	6"	4-1/2"	7-1/2"	10-1/2"
OI-25-ST	8188760	21,241.00	14,335.00	25	35	3"	16-1/2"	6"	39-3/4"	20-7/8"	22-1/2"	7"	4-1/2"	7-1/2"	10-1/2"
OI-35-ST	8188636	25,808.00	15,864.00	35	65	4"	14-1/2"	6"	49-3/4"	32-7/8"	20-1/2"	6"	12"	6"	13"
OI-50-ST	8188581	26,196.00	16,672.00	50	78	4"	18-1/2"	6"	49-3/4"	32-7/8"	24-1/2"	8"	12"	6"	13"
OI-75-ST	8188538	60,185.00	17,528.00	75	214	4"	26-1/2"	6"	49-3/4"	40-7/8"	32-1/2"	16"	12"	12"	13"
OI-100-ST	8188967	65,287.00	24,160.00	100	303	4"	26-1/2"	9-1/2"	90"	58"	36"	20-1/2"	15"	20-1/2"	22-1/2"
OI-150-ST	8189060	80,791.00	31,017.00	150	358	4"	30"	14"	76"	66"	44"	24"	17"	24"	19"
OI-200-ST	8188535	114,124.00	35,424.00	200	453	4"	30-1/2"	17-1/2"	90"	73-1/4"	48"	24-1/2"	18"	25"	22-1/2"
OI-250-ST	8188916	132,202.00	48,785.00	250	590	4"	35-1/2"	15-1/2"	90"	73-1/4"	51"	29-1/2"	18"	25"	22-1/2"
OI-300-ST	8188812	149,790.00	62,664.00	300	816	6"	36-1/2"	15-1/2"	86"	94-7/8"	52"	29-1/2"	23-1/2"	33"	21-1/2"
OI-350-ST	-	175,522.00	72,182.00	350	1068	6"	43-1/2"	16-1/2"	94"	100-7/8"	60"	36-1/2"	24"	35"	23-1/2"
OI-400-ST	8189086	205,624.00	86,998.00	400	1111	6"	43"	17"	91"	107-7/8"	60"	36"	26"	38"	22-3/4"
OI-500-ST	8189024	221,441.00	103,567.00	500	1242	6"	46"	20"	83"	118-7/8"	66"	39"	30"	42"	20-3/4"

*-HD Option Requires Minimum 3" Extension

Options for OI-ST Series:

Suffix	Description	List Price	Suffix	Description	List Price
E	Extension Up to 12"	\$10,637.00	-0	Inlet & Outlet Other Than Standard Size	\$986.50
E	Extension over 12", add per inch	731.00	-SS	All Stainless Steel	P.O.A.
FC	Flange & Clamp Device	6,840.00	-THD	Threaded Connections	No Add

Consult factory for all pricing and applications outside of listed parameters.

Prices do not include applicable taxes.

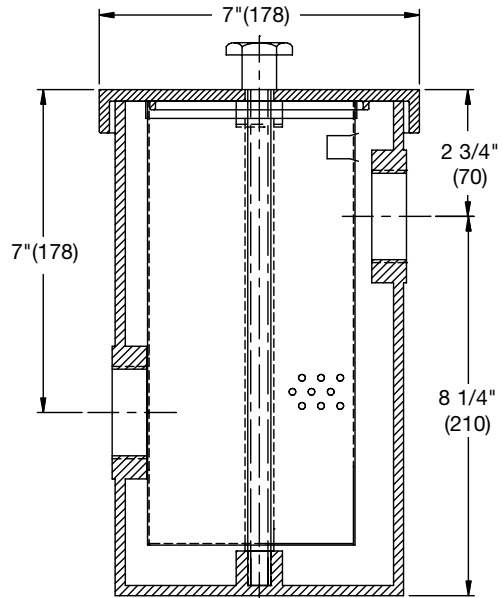


Hair, Sediment & Solids Interceptors

SI-742

Hair, Plaster, & Sediment Interceptor

Model Number	EDP#	Description	List Price
SI-742	8135382	cast aluminum	\$1,999.00
SI-742-SS	8145690	stainless steel	10,031.00



Options for SI-742 Series:

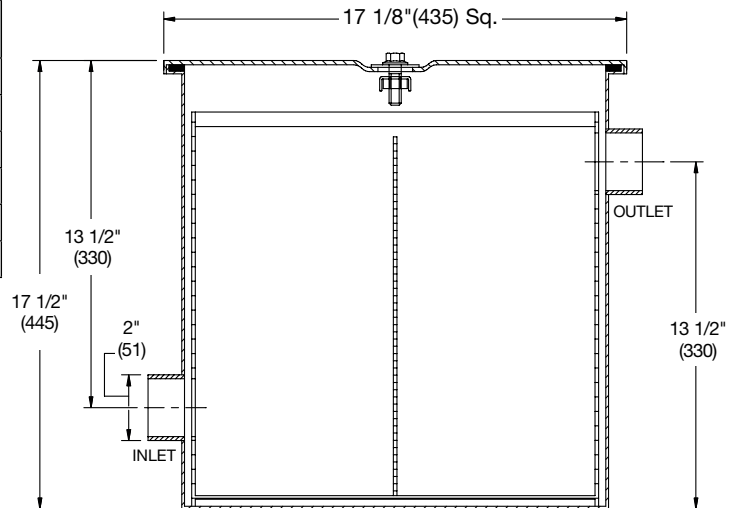
Suffix	Description	List Price
-X	Cover for Recessed Installation	\$771.00



SI-740-L

Large Capacity Sediment Interceptor

Model Number	EDP#	Outlet	Description	List Price
SI-742-L	8187634	2"	Epoxy Coated Steel	\$6,981.00
SI-743-L	8145692	3"	Epoxy Coated Steel	7,967.00
SI-744-L	8185845	4"	Epoxy Coated Steel	7,967.00
SI-742-L-SS	8151783	2"	Stainless Steel	12,800.00
SI-743-L-SS	8185458	3"	Stainless Steel	13,782.00
SI-744-L-SS	8190282	4"	Stainless Steel	13,782.00



Options for SI-740-L:

Suffix	Description	List Price
-E	Extension Up To 12" Each Additional Inch	\$6,411.00 453.00



Consult factory for all pricing and applications outside of listed parameters.
Prices do not include applicable taxes.

Hair, Sediment & Solids Interceptors

SI-750 & SI-750-TO Hair Interceptor

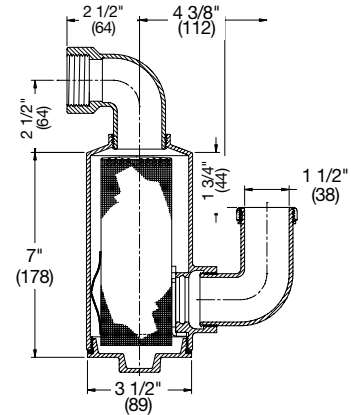
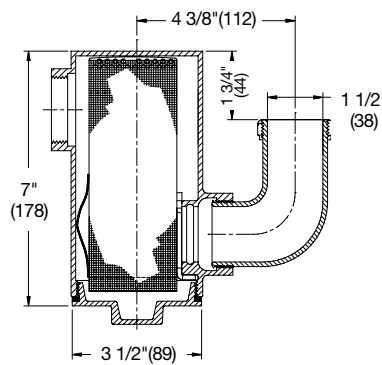
Model Number	EDP#	Description	List Price
SI-750	8135385	Cast Iron, Side Outlet	\$1,331.00
SI-750-TO	8145708	Chrome Plated, Top Outlet	4,859.00



Cast Iron

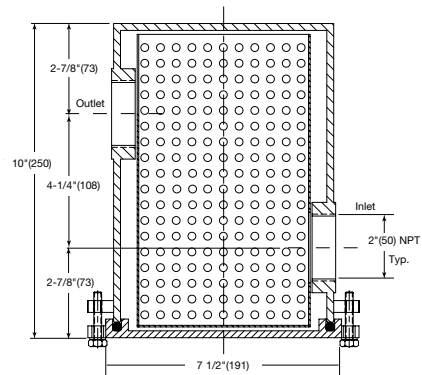


Chrome Plated



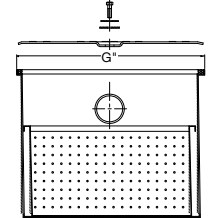
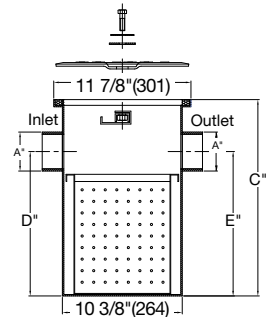
SI-762 Bottom Access Hair, Plaster, & Sediment Interceptor

Model Number	EDP#	Description	Weight Lbs.	List Price
SI-762	8186577	Epoxy Coated Steel	22	\$1,999.00



SI-770 Solids Interceptor

Interceptor Model Number	EDP#	List Price	Inlet/Outlet Size	Flow Rate GPM	Solids Cap. Cubic Ft.	C	D/E	G	Wt. Lbs.
SI-770-100	8188175	\$3,937.00	2	4	0.20	10"	7-1/4"	11-3/4"	13.87
SI-770-200	8188611	4,005.00	2	7	0.29	11-1/8"	8-1/8"	13-3/4"	16.75
SI-770-300	8188329	4,147.00	2	10	0.33	11-3/4"	8-1/4"	15-7/8"	18.98
SI-770-400	8157664	4,439.00	3	15	0.38	13-3/8"	9-3/8"	18-5/8"	23.89
SI-770-500	8188612	4,700.00	3	20	0.66	15"	11-3/4"	19-1/8"	26.34
SI-770-600	8188613	5,073.00	3	25	0.79	17"	12-1/2"	21-3/4"	32.19
SI-770-700	8188614	5,381.00	3	35	1.17	18-3/4"	14-1/4"	24-3/8"	36.59
SI-770-800	8188350	5,770.00	4	50	1.35	21-1/8"	16"	24-3/8"	39.89
SI-770-900	8188658	6,237.00	4	75	1.61	22-3/4"	18-1/2"	24-3/8"	39.00
SI-770-1000	8188659	19,320.00	4	100	1.80	27"	23"	24-3/8"	42.00



Options for SI-770

Suffix	Description	List Price
-E	Extension Up to 12"	\$6,411.00
	Extension Over 12", add per inch	453.00
-O	Inlet & Outlet Other Than Standard Size	986.50
-SS	All Stainless Steel	P.O.A.
-THD	Threaded Connections	No Add



Consult factory for all pricing and applications outside of listed parameters.

Prices do not include applicable taxes.

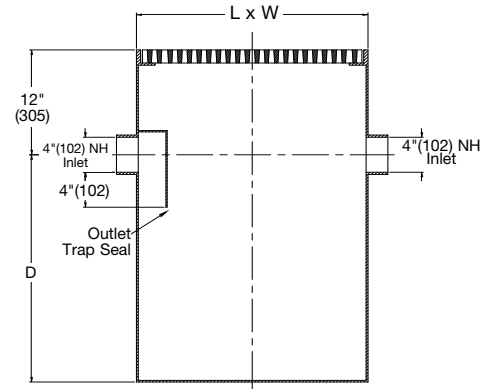


Lint & Sand Interceptors

ST Series

Sand Trap

Interceptor Model Number	EDP#	List Price	Flow Rate	Inlet & Outlet	L Length	W Width	D	Capacity Gal.	No. of Grates
ST-20	8188646	\$19,402.00	20	4"	24"	24"	26"	60	1
ST-50	8188674	32,910.00	50	4"	48"	24"	26"	120	2
ST-150	8189182	99,440.00	150	4"	48"	48"	38"	360	4
ST-250	8189183	103,485.00	250	6"	72"	48"	39"	540	6
ST-500	8189184	127,323.00	500	6"	120"	48"	51"	1200	10



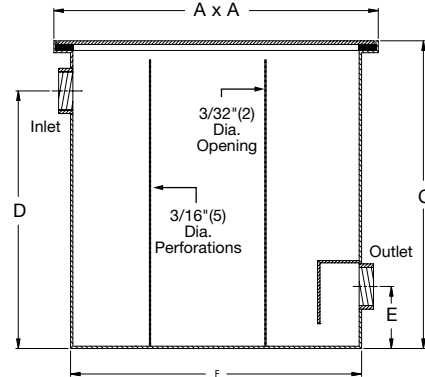
Options for ST Series:

Suffix	Description	List Price	Suffix	Description	List Price
-E	Extension Up to 12" Each Additional Inch	\$10,172.00	-THD	Threaded Connections	No Add
-O	Inlet & Outlet Non-Standard	731.00	-Q	Special (Describe)	P.O.A.
-ST	Solid Checker Plate Cover	986.50			
		2,377.00			

LI-800

Lint Interceptor

Model Number	EDP#	List Price	Size/No. of Machines	Inlet / Outlet Size	Flow Rate GPM	Approx. Weight/ Lbs.	A	C	D	E	F
LI-803	8185896	\$15,523.00	3	2"	30	93	17"	16-1/2"	13-1/2"	3-1/4"	15-1/4"
LI-807	8145748	18,063.00	7	3"	70	155	25"	20"	16-1/2"	3-1/4"	23-1/4"
LI-810	8145747	21,250.00	10	4"	100	271	33"	28"	20-1/8"	4"	31-1/4"
LI-820	8150855	25,802.00	20	4"	200	404	40	35"	27-1/8"	4"	38-1/4"
LI-830	8145749	29,887.00	30	6"	300	654	45"	40"	28-1/8"	5"	43-1/4"
LI-840	8185181	34,085.00	40	6"	400	723	48"	43"	31-1/8"	5"	46-1/4"
LI-850	8185210	38,261.00	50	6"	500	911	52"	47"	35-1/8"	5"	50-1/4"



Options for LI-800

Suffix	Description	List Price
-E	Extension Up to 12" Each Additional Inch	\$3,644.00
-HD	10,000 Traffic Cover*	453.00
-O	Inlet & Outlet other than Standard	P.O.A.
-SS	All Stainless Steel	986.50
		P.O.A.



Consult factory for all pricing and applications outside of listed parameters.
Prices do not include applicable taxes.

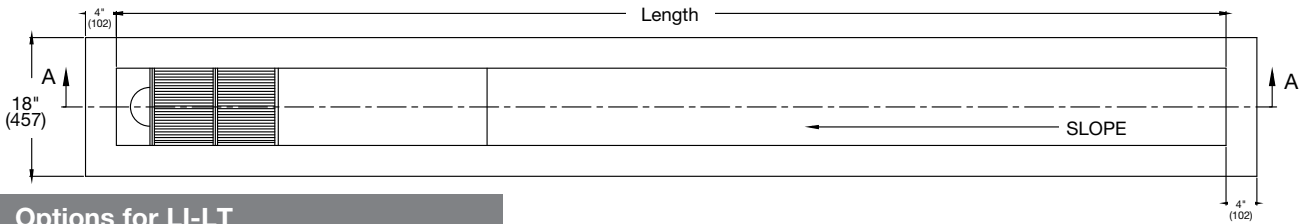
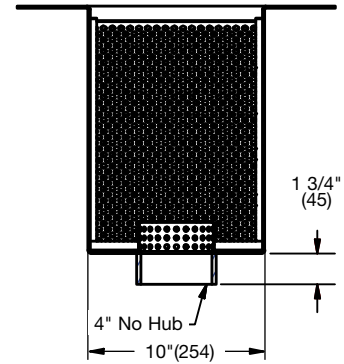
Lint & Sand Interceptors

LI-LT Series

Stainless Steel Lint Trough

Model Number	EDP #	Length	List Price
LI-12-LT	8189161	12'	\$43,650.00
LI-8-LT	8189776	8'	35,328.00
LI-4-LT	8189401	4'	27,006.00

Note: Custom lengths available at \$5,836.00 per foot.
(Call for Availability)



Options for LI-LT

Suffix	Description	List Price
-4	4' Base Option	\$27,006.00

SA-Series

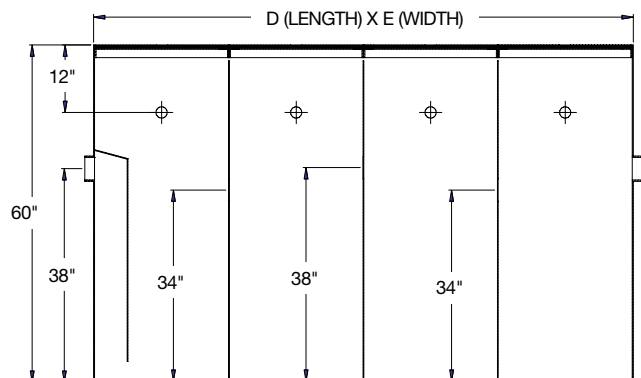
Heavy Duty Sand & Sediment Interceptor

Model Number	EDP#	GPM	Wt., Lbs.	Cu. Ft.	Length	Width	Height	List Price	-HD 10,000 (Add Traffic Cover)
SA-310	8186454	300	1600	43	60"	36"	60"	\$57,661.00	\$11,017.00
SA-410	8187188	400	1750	54	72"	36"	60"	88,801.00	14,481.00
SA-510	8154227	500	2100	72	96"	36"	60"	124,592.00	21,091.00
SA-610	8153021	600	2500	81	108"	36"	60"	127,505.00	23,826.00
SA-710	8187789	700	2700	90	120"	36"	60"	132,819.00	26,277.00
SA-810	8190286	800	3000	108	144"	36"	60"	136,872.00	27,235.00
SA-1010	-	1000	3640	135	180"	36"	60"	162,924.00	29,137.00

*-HD Option Requires Minimum 4" Extension

Options for SA-Series

Suffix	Description	List Price
-E	Extension Up to 12" Each Additiona Inch	\$10,637.00 731.00
-FC	Flange & Clamp Device	6,840.00
-O	Inlet & Outlet other than Standard	986.50



Consult factory for all pricing and applications outside of listed parameters.

Prices do not include applicable taxes.



Cleanouts

Table Of Contents

- Pictorial Index
- Product Recommendations
- Cleanout Selection Factors
 - Materials
 - Pipe Connections
 - Load Ratings
 - Design Considerations
 - Commonly Specified Options
 - Typical Installations



Cleanouts

Pictorial Index



CO-190-PR
Pronto; Cast Iron Adj. Floor
Cleanout w/Integrated Level



CO-190-PR-60
Pronto; PVC Adj. Floor
Cleanout w/Integrated Level



CO-200-H
Elastomeric Flange



CO-200-R
Round NB Top



CO-200-RC
Carpet Marker



CO-200-RFC7
Surface Membrane Clamp



CO-200-RX
HD Round NB Top



CO-200-RX-4
HD Round DI Top



CO-200-S
Square NB Top



CO-200-SX
HD Square NB Top



CO-200-SX-4
HD Square DI Top



CO-200-T
Round w/Tile Recess



CO-200-TS
Square w/Tile Recess



CO-200-U
Round w/Terrazzo Recess



CO-200-US
Square w/Terrazzo Recess



CO-260
8" dia. HD Top

Consult factory for all pricing and applications outside of listed parameters.
Prices do not include applicable taxes.



Cleanouts

Pictorial Index

			
<p>CO-270 7" Dia. Non-Adjustable Top</p>	<p>CO-300-MF HD Access Housing</p>	<p>CO-300-R Round Access Cover</p>	<p>CO-300-S Square Access Cover</p>
			
<p>CO-380 Cleanout Ferrule</p>	<p>CO-380-RD Wall Cleanout Ferrule with Stainless Steel Cover</p>	<p>CO-390-E General Purpose</p>	<p>CO-410 Floor Access Housing</p>
			
<p>CO-440-RD Wall Cleanout w/Poly Plug</p>	<p>CO-450-RD CI Wall Cleanout</p>	<p>CO-460 Stack Cleanout</p>	<p>CO-460-RD Stack Cleanout w/SS cover</p>
			
<p>CO-480-RD SS Cover & Screw</p>	<p>CO-590 Brass Plug</p>	<p>CO-590-RD Wall Cleanout with Brass Plug</p>	<p>CO-600-R Isolation Cleanout</p>

Cleanouts

Pictorial Index



CO-1190-PR
Pronto; Cast Iron Adj. Floor
Cleanout w/Integrated Level



CO-1190-PR-60
Pronto; PVC Adj. Floor
Cleanout w/Integrated Level



CO-1200-R
HD Round SS Top



CO-1200-RX
XHD Round SS Top



CO-1200-S
HD Square SS Top



CO-1200-SX
XHD Square SS Top

Recommendations

Application	Product
Basement areas	CO-200-RX-4, CO-390-E
Clinical & surgical areas	CO-1200-R-28, CO-1200-S-28
Floor access covers	CO-300-R, CO-300-S, CO-410
Food preparation areas	CO-1200-R, CO-1200-S
Garage and service bays	CO-260, CO-270
Industrial and warehouse areas	CO-200-RX, CO-200-RX-4, CO-200-SX, CO-200-SX-4
Interior carpeted areas	CO-200-RC, CO-200-CF
Interior finished areas	CO-200-R, CO-200-S
Maintenance & boiler rooms	CO-200-RX-4, CO-380
Outdoor parking areas	CO-300-MF
Outdoor walkways	CO-200-RX, CO-200-SX
Rubberized poured flooring	CO-200-H
Rubberized sheet flooring	CO-200-RFC7
Sanitary manufacturing areas	CO-1200-RX-28, CO-1200-SX-28
Stack bases	CO-460, CO-460-RD
Stairwells	CO-200-RX-4, CO-390-E
Terrazzo floors (recessed cover)	CO-200-U, CO-200-US
Tile floors (recessed cover)	CO-200-T, CO-200-TS
Wall access covers	CO-480-RD
Wall stubouts	CO-440-RD, CO-450-RD, CO-590-RD

Consult factory for all pricing and applications outside of listed parameters.

Prices do not include applicable taxes.



Cleanouts

Cleanout Selection Factors

Materials

Cast iron epoxy coated*

Industrial grade cast iron, finished with Watts gray acid resistant epoxy coating.

NOTE: Watts Drainage standard epoxy coating is designed for interim protection of iron components during processing, shipping, and construction. It is not intended to protect surfaces subject to traffic, or environmental conditions. Exposed iron surfaces should be expected to show surface oxidation (rusting) after a short period of time.

Nickel bronze

Nickel bronze alloy is homogenous, highly resistant to wear, and will not be discolored by weather or traffic. Appearance is silvery, and compliments most interior and exterior finishes.

Stainless steel

In accordance with ASTM A-351-Grade CF8 (Type 304) standard specification. Highly durable and resistant to corrosion.

Ductile iron epoxy coated*

Superior impact resistance and durability compared to standard cast iron. Watts supplies ductile iron drain grates standard, finished with gray acid resistant epoxy coating.

PVC or ABS

Most floor and area drains can be specified with optional PVC (-60) or ABS (-61) plastic bodies for direct sch. 40 solvent weld connection.

Pipe Connections

No hub (standard)

Butt connection using a no hub or neoprene coupling. Suitable for cast iron, plastic, and most other piping applications.

Push-on (-P)

ASTM C-564 gasket connection, with pipe stop. Suitable for no hub or service weight cast iron, sch. 40 plastic, and steel pipe. Not recommended for above grade.

Inside caulk (-X)

Used for lead and oak joints, pipe is inserted through a caulk ring on the drain outlet.

PVC (-60) or ABS (-61) socket

For direct solvent weld connection to sch. 40 plastic pipe.

Threaded (-THD)

Female threaded outlet for connection to IPS threaded pipe.

Load Ratings

Load ratings are based upon maximum anticipated traffic, in accordance with American National Standards AMSE A112.21.1M. See specification pages for specific load rating data.

Light Duty (LD) - Safe live load under 2000 lbs.

Medium Duty (MD) - Safe live load 2000-4999 lbs.

Heavy Duty (HD) - Safe live load 5000-7499 lbs.

Extra Heavy Duty (XHD) - Safe live load 7500-10,000 lbs.

Special Duty (SD) - Safe live load over 10,000 lbs.

Design Considerations

Cleanout Plugs

Straight thread ANSI gasketed brass plugs are standard in all metal cleanouts. PVC/ABS cleanouts are supplied with a two-piece gasket seal poly plug. All Watts cleanout plugs are gastight, water tight, removable, and hold test.

Finished/Unfinished Areas

Finished area top specifications should be nickel bronze, or optional stainless steel. Ductile iron is typically used in unfinished areas, where appearance is not a primary concern.

Fixed/Adjustable Tops

Adjustable top drains enable vertical adjustment of the top assembly, to more easily match the finished floor level.

Commonly Specified Options

-6 Vandal Proof

Grate secured with Allen Head screws. Security screws (Torx & Pin, Allen and Pin) may be specified for high security applications.

-13 Galvanized

Standard zinc galvanizing, commonly specified above grade in highly corrosive coastal environments or industrial areas.

-C Membrane Clamp

Specified in floors with a waterproofing membrane, generally in above grade applications.

-CF Carpet Clamping Flange

For CO-200-R, securely clamps carpeting to the cleanout cover.

-US Buy American Compliant

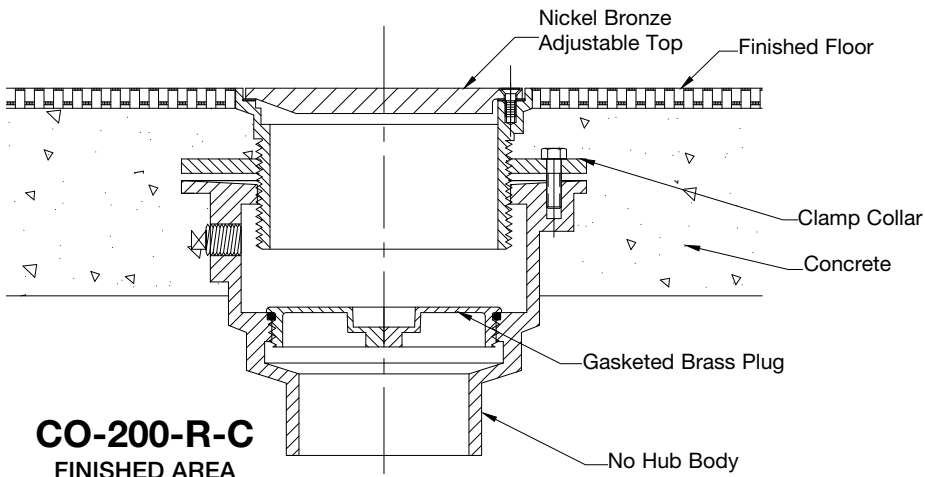
Product will be supplied with minimum 51% domestic content, in compliance with FAR 52.225-9 Buy American Act.



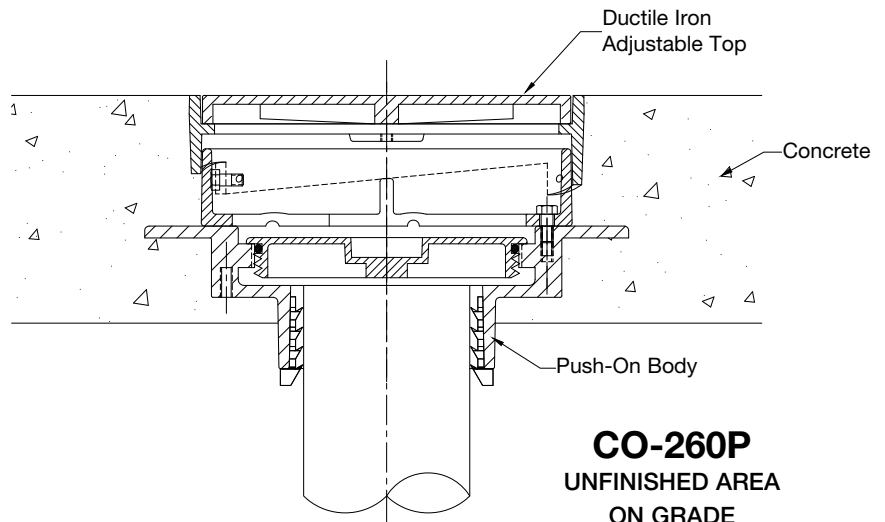
Consult factory for all pricing and applications outside of listed parameters.
Prices do not include applicable taxes.

Cleanouts

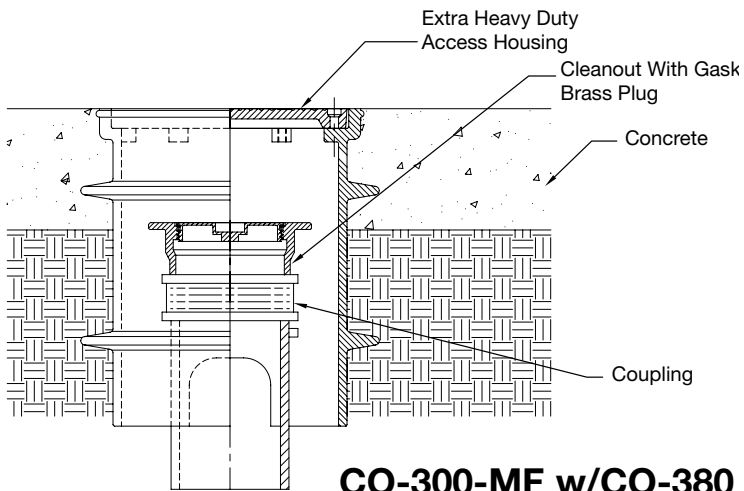
Typical Installations



CO-200-R-C
FINISHED AREA
ABOVE GRADE



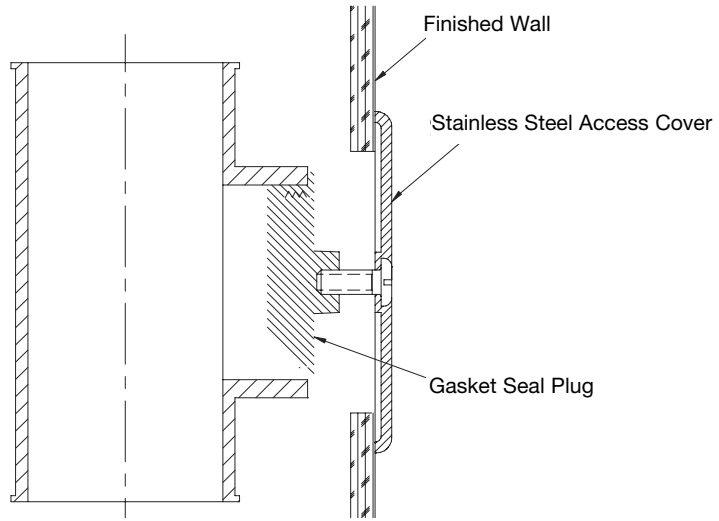
CO-260P
UNFINISHED AREA
ON GRADE



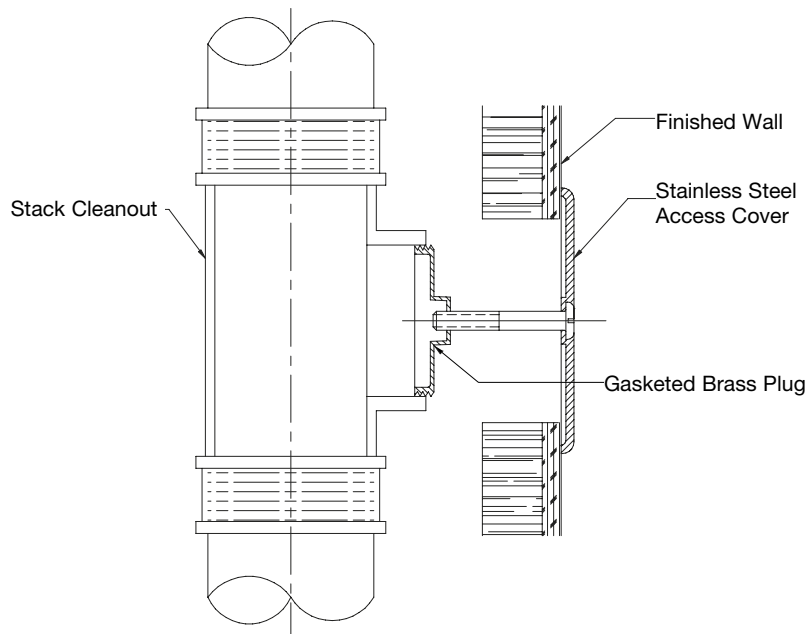
CO-300-MF w/CO-380
EXTERIOR YARD AREA

Cleanouts

Typical Installations



CO-440-RD
WALL STUB-OUT



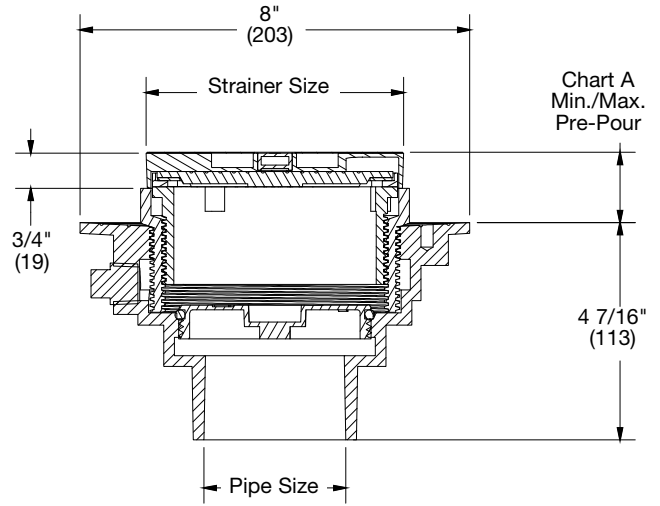
CO-460-RD
VERTICAL STACK

Adjustable Floor Cleanouts

CO-190-PR

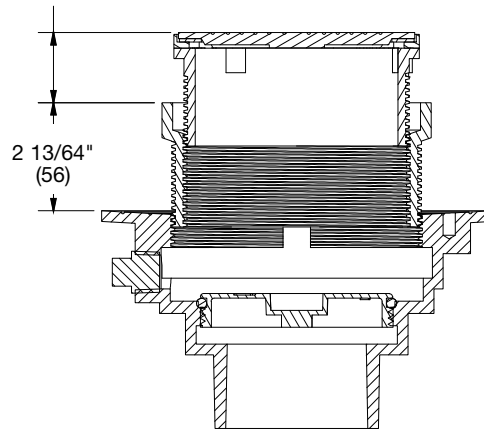
Pronto!® Cast Iron Floor Cleanout with Integrated Level

Model Number	Wt., Lbs.	Pipe Size	Cover Size	Cover	List Price
CO-192-PR5	14	2"(51)	5"(127)	nickel bronze	\$1,498.00
CO-192-PR6	16	2"(51)	6"(152)	nickel bronze	1,540.00
CO-193-PR5	14	3"(76)	5"(127)	nickel bronze	1,540.00
CO-193-PR6	16	3"(76)	6"(152)	nickel bronze	1,617.00
CO-194-PR5	14	4"(102)	5"(127)	nickel bronze	1,703.00
CO-194-PR6	16	4"(102)	6"(152)	nickel bronze	1,781.00
CO-192P-PR5	13	2"(51)	5"(127)	nickel bronze	1,498.00
CO-192P-PR6	15	2"(51)	6"(152)	nickel bronze	1,540.00
CO-193P-PR5	13	3"(76)	5"(127)	nickel bronze	1,540.00
CO-193P-PR6	15	3"(76)	6"(152)	nickel bronze	1,617.00
CO-194P-PR5	13	4"(102)	5"(127)	nickel bronze	1,703.00
CO-194P-PR6	15	4"(102)	6"(152)	nickel bronze	1,781.00



PATENTED

0-1" Adj.
Post-Pour



Patent No. USD897503 and Patents Pending

Cover Size	Min.	Max.	Load Rating
5"(127)	1 7/16"(37)	2 15/16"(75)	MD
6"(152)	1 7/16"(37)	2 15/16"(75)	LD

Pipe Size	Std. No Hub	P Push On
2"(51)	4 7/16"(113)	4 7/8"(124)
3"(76)	4 7/16"(113)	4 7/8"(124)
4"(102)	4 7/16"(113)	4 7/8"(124)

Options for CO-190-PR:

Suffix	Description	List Price
-C	SS Membrane Clamp	\$338.50

Consult factory for all pricing and applications outside of listed parameters.

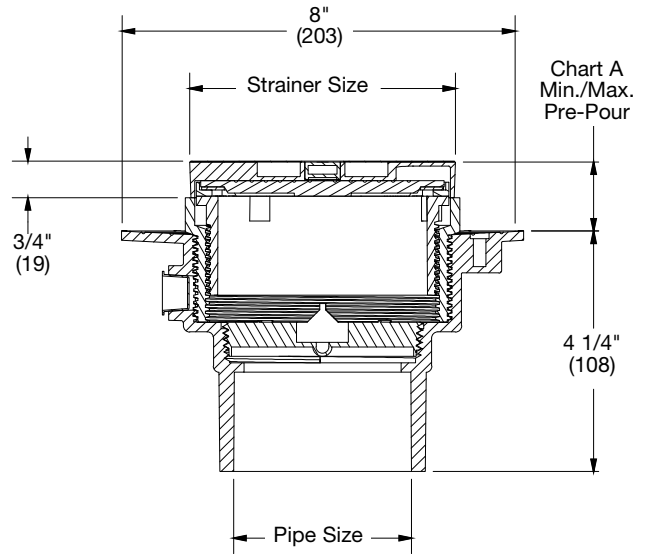
Prices do not include applicable taxes.



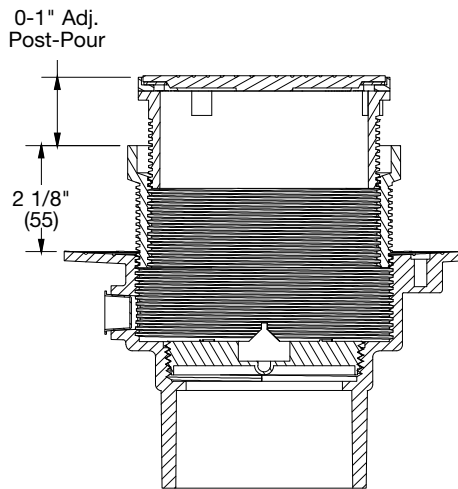
Adjustable Floor Cleanouts

CO-190-PR-60 Pronto® PVC Floor Cleanout with Integrated Level

Model Number	Wt., Lbs.	Pipe Size	Cover Size	Cover	List Price
CO-192-PR5-60	5	2"(51)	5"(127)	nickel bronze	\$1,013.00
CO-192-PR6-60	6	2"(51)	6"(152)	nickel bronze	1,052.00
CO-193-PR5-60	5	3"(76)	5"(127)	nickel bronze	1,052.00
CO-193-PR6-60	6	3"(76)	6"(152)	nickel bronze	1,133.00
CO-194-PR5-60	5	4"(102)	5"(127)	nickel bronze	1,213.00
CO-194-PR6-60	6	4"(102)	6"(152)	nickel bronze	1,296.00
CO-192N-PR5-60	4	2"(51)	5"(127)	nickel bronze	1,013.00
CO-192N-PR6-60	5	2"(51)	6"(152)	nickel bronze	1,052.00
CO-193N-PR5-60	4	3"(76)	5"(127)	nickel bronze	1,052.00
CO-193N-PR6-60	5	3"(76)	6"(152)	nickel bronze	1,133.00
CO-194N-PR5-60	4	4"(102)	5"(127)	nickel bronze	1,213.00
CO-194N-PR6-60	5	4"(102)	6"(152)	nickel bronze	1,296.00



PATENTED



Patent No. USD897503 and Patents Pending

Chart A			
Cover Size	Min.	Max.	Load Rating
5"(127)	1 7/16"(37)	2 15/16"(75)	MD
6"(152)	1 7/16"(37)	2 15/16"(75)	LD

Chart B		
Pipe Size	Std. 60 PVC	No Hub
2"(51)	4 1/4"(108)	4 3/4"(121)
3"(76)	4 1/4"(108)	4 3/4"(121)
4"(102)	4 1/4"(108)	4 3/4"(121)

Options for CO-190-PR-60:

Suffix	Description	List Price
-C	SS Membrane Clamp	\$338.50

WATTS® Consult factory for all pricing and applications outside of listed parameters. Prices do not include applicable taxes.

Adjustable Floor Cleanouts

CO-200-R

Floor Cleanout with Round Top



Model Number	Wt., Lbs.	Pipe Size	Cover	List Price
CO-202-R	11	2"	nickel bronze	\$1,013.00
CO-203-R	11	3"	nickel bronze	1,070.00
CO-204-R	11	4"	nickel bronze	1,427.00

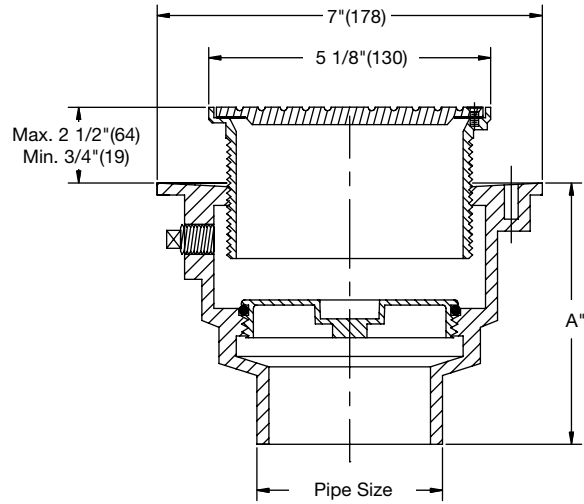


Chart A			
Pipe Size	NH	Push-On	PVC/ABS
2"	4-3/4"	5-1/2"	4"
3"	4-3/4"	5-1/2"	4"
4"	4-3/4"	5-1/2"	4"

CO-200-RC

Floor Cleanout with Round Top, Carpet Marker



Model Number	Wt., Lbs.	Pipe Size	Cover	List Price
CO-202-RC	11	2"	nickel bronze	\$1,136.00
CO-203-RC	11	3"	nickel bronze	1,195.00
CO-204-RC	11	4"	nickel bronze	1,553.00

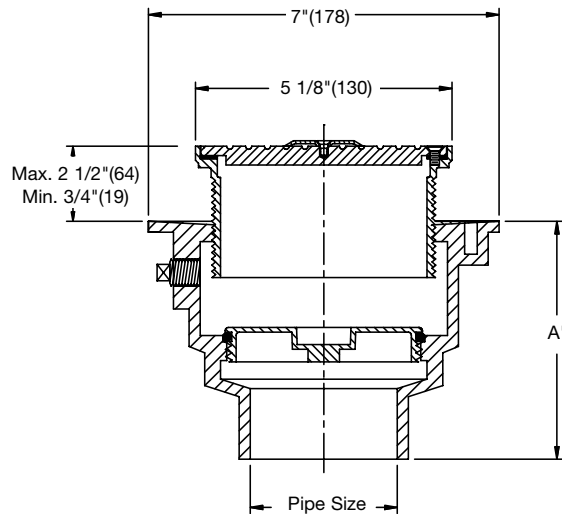


Chart A			
Pipe Size	NH	Push-On	PVC/ABS
2"	4-3/4"	5-1/2"	4"
3"	4-3/4"	5-1/2"	4"
4"	4-3/4"	5-1/2"	4"

Options for CO-200:

Suffix	Description	List Price	Suffix	Description	List Price
None	No Hub Outlet	No Add	-6	Vandal Proof	\$157.00
P	Push-On Outlet	No Add	-13	Galvanized Body	356.00
-X	Inside Caulk	No Add	-60	PVC Body w/Poly Plug	No Add
-C	Membrane Clamp	\$175.00	-61	ABS Body w/Poly Plug	No Add
-CF	Carpet Clamping Flange	462.00			

Consult factory for all pricing and applications outside of listed parameters.

Prices do not include applicable taxes.

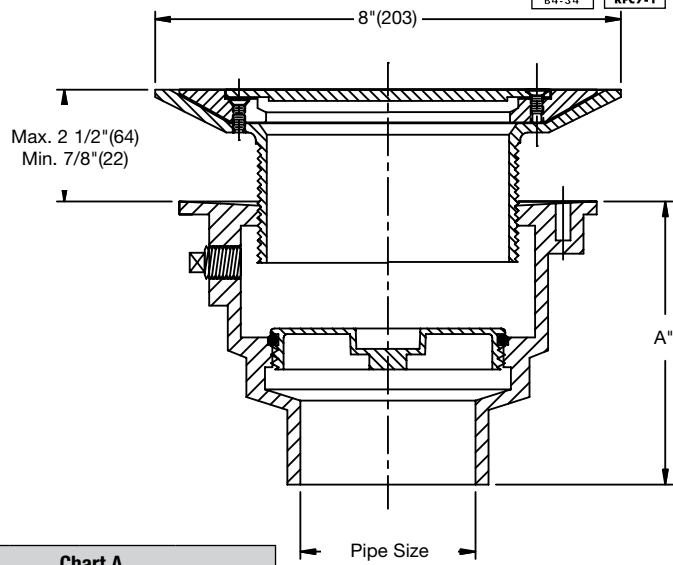


Adjustable Floor Cleanouts

CO-200-RFC7 Floor Cleanout with Surface Membrane Clamp



Model Number	Wt., Lbs.	Pipe Size	Cover	List Price
CO-202-RFC7	13	2"	nickel bronze	\$2,726.00
CO-203-RFC7	13	3"	nickel bronze	2,784.00
CO-204-RFC7	13	4"	nickel bronze	3,144.00

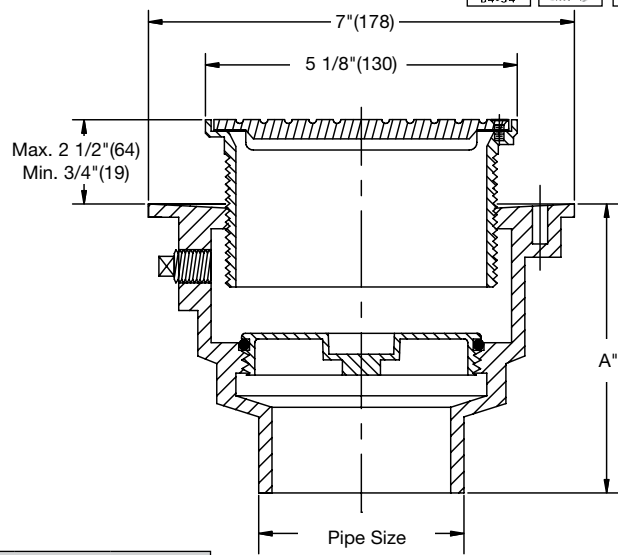


Pipe Size	NH	Push-On	PVC/ABS
2"	4-3/4"	5-1/2"	4"
3"	4-3/4"	5-1/2"	4"
4"	4-3/4"	5-1/2"	4"

CO-200-RX Floor Cleanout with Heavy Duty Round Top



Model Number	Wt., Lbs.	Pipe Size	Cover	List Price
CO-202-RX	12	2"	nickel bronze	\$1,259.00
CO-203-RX	12	3"	nickel bronze	1,322.00
CO-204-RX	12	4"	nickel bronze	1,677.00



Pipe Size	NH	Push-On	PVC/ABS
2"	4-3/4"	5-1/2"	4"
3"	4-3/4"	5-1/2"	4"
4"	4-3/4"	5-1/2"	4"

Options for CO-200-RFC7/RX:

Suffix	Description	List Price	Suffix	Description	List Price
None	No Hub Outlet	No Add	-6	Vandal Proof	\$173.00
P	Push-On Outlet	No Add	-13	Galvanized Body	356.00
-X	Inside Caulk	No Add	-60	PVC Body w/Poly Plug	No Add
-C	Membrane Clamp	\$191.00	-61	ABS Body w/Poly Plug	No Add



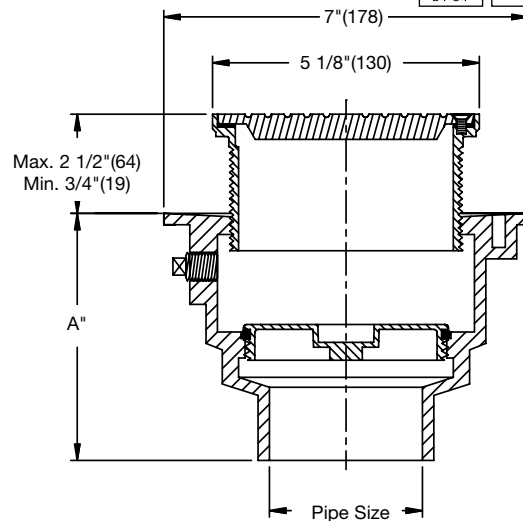
Consult factory for all pricing and applications outside of listed parameters.
Prices do not include applicable taxes.

Adjustable Floor Cleanouts

CO-200-RX-4 Floor Cleanout with Ductile Iron Top



Model Number	Wt., Lbs.	Pipe Size	Cover	List Price
CO-202-RX-4	12	2"	ductile iron	\$682.50
CO-203-RX-4	12	3"	ductile iron	790.00
CO-204-RX-4	12	4"	ductile iron	965.50



Options for CO-200-RX-4:

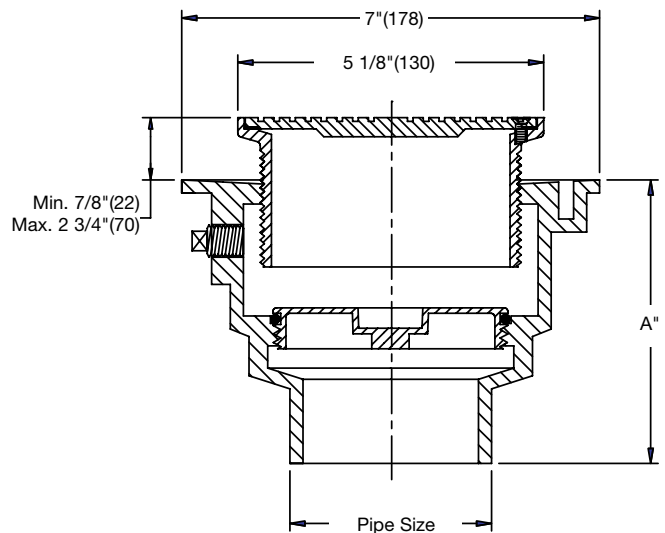
Suffix	Description	List Price
-13	All Galvanized	\$395.50

Pipe Size	NH	Push-On	PVC/ABS
2"	4-3/4"	5-1/2"	4"
3"	4-3/4"	5-1/2"	4"
4"	4-3/4"	5-1/2"	4"

CO-200-S Floor Cleanout with Square Top



Model Number	Wt., Lbs.	Pipe Size	Cover	List Price
CO-202-S	11	2"	nickel bronze	\$1,013.00
CO-203-S	11	3"	nickel bronze	1,070.00
CO-204-S	11	4"	nickel bronze	1,427.00



Pipe Size	NH	Push-On	PVC/ABS
2"	4-3/4"	5-1/2"	4"
3"	4-3/4"	5-1/2"	4"
4"	4-3/4"	5-1/2"	4"

Options for CO-200-RX-4/S:

Suffix	Description	List Price	Suffix	Description	List Price
None	No Hub Outlet	No Add	-6	Vandal Proof	\$157.00
P	Push-On Outlet	No Add	-13	Galvanized Body	356.00
-X	Inside Caulk	No Add	-60	PVC Body w/Poly Plug	No Add
-C	Membrane Clamp	\$175.00	-61	ABS Body w/Poly Plug	No Add

Consult factory for all pricing and applications outside of listed parameters.

Prices do not include applicable taxes.



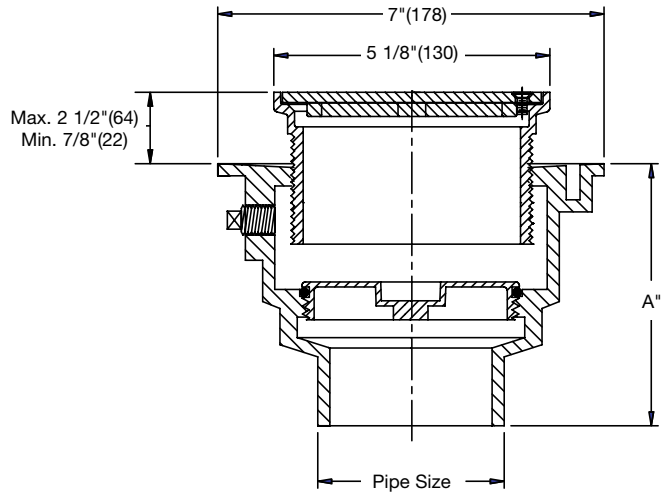
Adjustable Floor Cleanouts

CO-200-SX

Floor Cleanout with Heavy Duty Square Top



Model Number	Wt., Lbs.	Pipe Size	Cover	List Price
CO-202-SX	12	2"	nickel bronze	\$1,259.00
CO-203-SX	12	3"	nickel bronze	1,322.00
CO-204-SX	12	4"	nickel bronze	1,677.00



Options for CO-200-SX

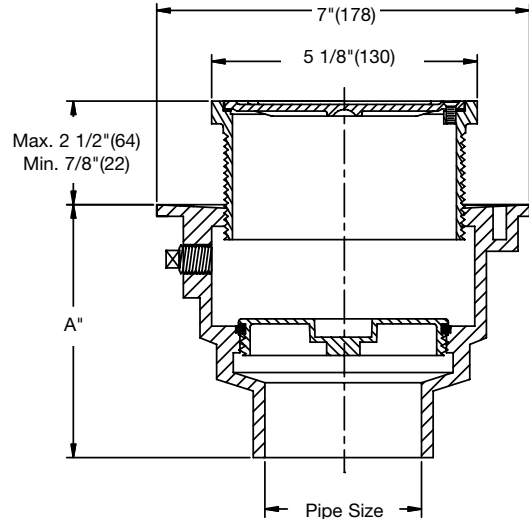
Suffix	Description	List Price
-4	Ductile Iron Top	\$-392.50

CO-200-T

Floor Cleanout with Round Top, Tile Recess



Model Number	Wt., Lbs.	Pipe Size	Cover	List Price
CO-202-T	11	2"	nickel bronze	\$1,013.00
CO-203-T	11	3"	nickel bronze	1,070.00
CO-204-T	11	4"	nickel bronze	1,427.00



Options for CO-200-SX/T:

Suffix	Description	List Price	Suffix	Description	List Price
None	No Hub Outlet	No Add	-6	Vandal Proof	\$157.00
P	Push-On Outlet	No Add	-13	Galvanized Body	356.00
-X	Inside Caulk	No Add	-60	PVC Body w/Poly Plug	No Add
-C	Membrane Clamp	\$175.00	-61	ABS Body w/Poly Plug	No Add



Consult factory for all pricing and applications outside of listed parameters.
Prices do not include applicable taxes.

Adjustable Floor Cleanouts

CO-200-TS

Floor Cleanout with Square Top, Tile Recess



Model Number	Wt., Lbs.	Pipe Size	Cover	List Price
CO-202-TS	11	2"	nickel bronze	\$1,013.00
CO-203-TS	11	3"	nickel bronze	1,070.00
CO-204-TS	11	4"	nickel bronze	1,427.00

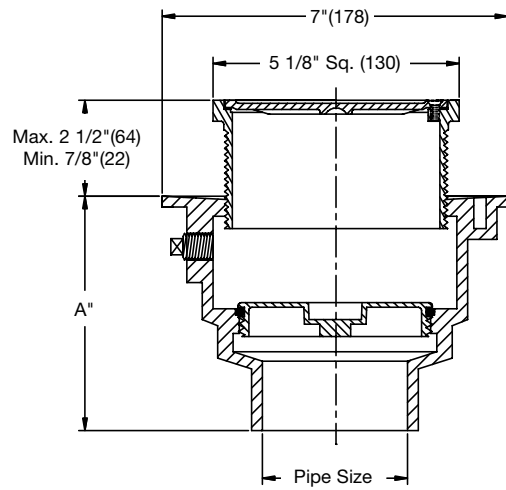


Chart A			
Pipe Size	NH	Push-On	PVC/ABS
2"	4-3/4"	5-1/2"	4"
3"	4-3/4"	5-1/2"	4"
4"	4-3/4"	5-1/2"	4"

CO-200-U

Floor Cleanout with Round Top, Terrazzo Recess



Model Number	Wt., Lbs.	Pipe Size	Cover	List Price
CO-202-U	12	2"	nickel bronze	\$1,585.00
CO-203-U	12	3"	nickel bronze	1,643.00
CO-204-U	12	4"	nickel bronze	1,999.00

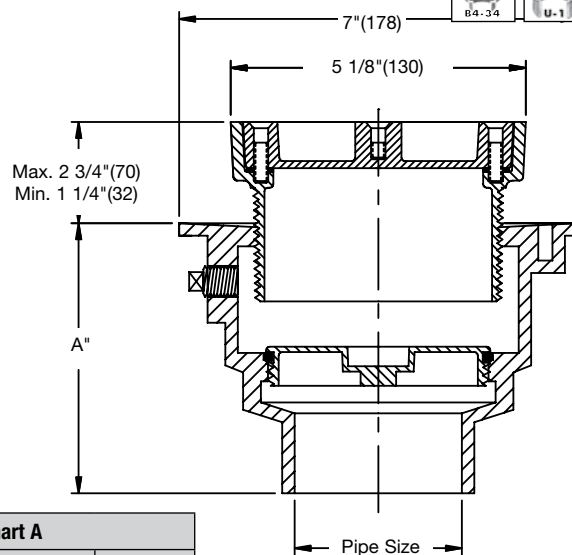


Chart A			
Pipe Size	NH	Push-On	PVC/ABS
2"	4-3/4"	5-1/2"	4"
3"	4-3/4"	5-1/2"	4"
4"	4-3/4"	5-1/2"	4"

Options for CO-200-TS/U:

Suffix	Description	List Price	Suffix	Description	List Price
None	No Hub Outlet	No Add	-6	Vandal Proof	\$157.00
P	Push-On Outlet	No Add	-13	Galvanized Body	356.00
-X	Inside Caulk	No Add	-60	PVC Body w/Poly Plug	No Add
-C	Membrane Clamp	\$175.00	-61	ABS Body w/Poly Plug	No Add

Consult factory for all pricing and applications outside of listed parameters.

Prices do not include applicable taxes.



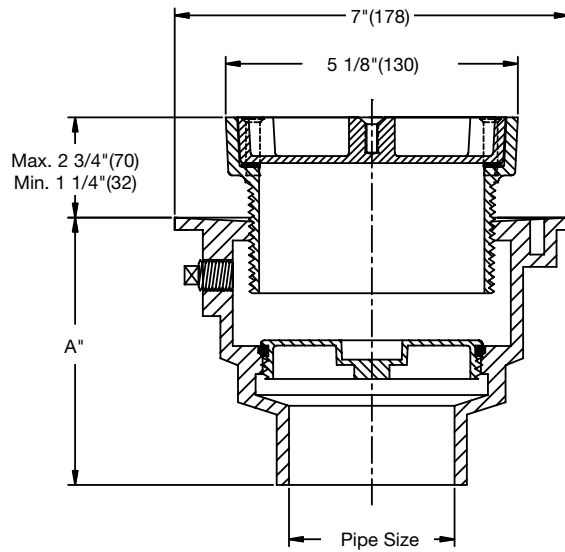
Adjustable Floor Cleanouts

CO-200-US

Floor Cleanout with Square Top, Terrazzo Recess



Model Number	Wt., Lbs.	Pipe Size	Cover	List Price
CO-202-US	12	2"	nickel bronze	\$1,585.00
CO-203-US	12	3"	nickel bronze	1,643.00
CO-204-US	12	4"	nickel bronze	1,999.00

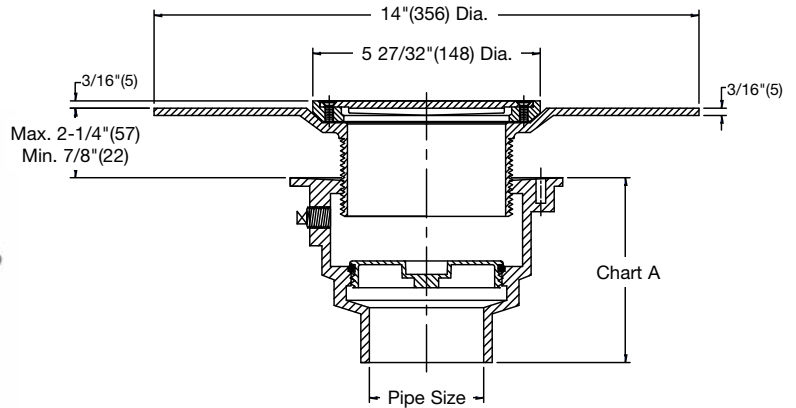


Pipe Size	NH	Push-On	PVC/ABS
2"	4-3/4"	5-1/2"	4"
3"	4-3/4"	5-1/2"	4"
4"	4-3/4"	5-1/2"	4"

CO-200-H

Floor Cleanout with Elastomeric Flange

Model Number	Wt., Lbs.	Pipe Size	Cover	List Price
CO-202-H	11	2"	nickel bronze	\$2,229.00
CO-203-H	11	3"	nickel bronze	2,287.00
CO-204-H	11	4"	nickel bronze	2,642.00



Pipe Size	NH	Push-On	PVC/ABS
2"	4-3/4"	5-1/2"	4"
3"	4-3/4"	5-1/2"	4"
4"	4-3/4"	5-1/2"	4"

Options for CO-200-US/H:

Suffix	Description	List Price	Suffix	Description	List Price
None	No Hub Outlet	No Add	-6	Vandal Proof	\$157.00
P	Push-On Outlet	No Add	-13	Galvanized Body	356.00
-X	Inside Caulk	No Add	-60	PVC Body w/Poly Plug	No Add
-C	Membrane Clamp	\$175.00	-61	ABS Body w/Poly Plug	No Add



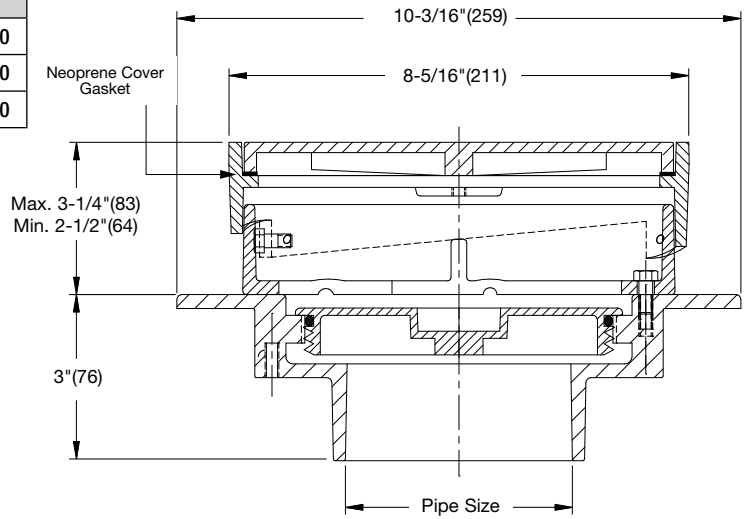
Consult factory for all pricing and applications outside of listed parameters.
Prices do not include applicable taxes.

Adjustable Floor Cleanouts

CO-260

Floor Cleanout with 8" Round Adjustable Top

Model Number	Wt., Lbs.	Pipe Size	Cover	List Price
CO-263, 4, 6, 8	20	3, 4, 6, 8"	ductile iron	1,959.00
CO-263, 4, 6, 8-1	20	3, 4, 6, 8"	nickel bronze	2,325.00
CO-263, 4, 6, 8-S-1	20	3, 4, 6, 8"	sq. nickel bronze	2,325.00



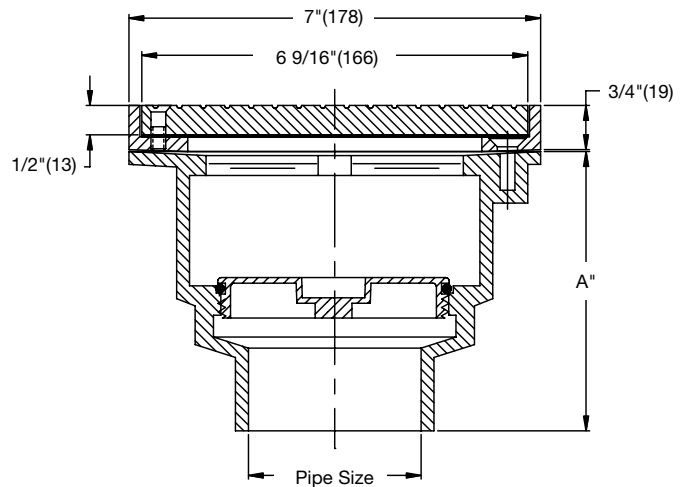
Options for CO-260

Suffix	Description	List Price
-None	No Hub Outlet	No Add
P	Push-On Outlet	No Add
-X	Inside Caulik (6" only)	No Add
-3	Round Stainless Steel	\$955.00
-6	Vandal Proof	157.00
-13	All Galvanized	796.50

CO-270

Floor Cleanout with Fixed Top

Model Number	Wt., Lbs.	Pipe Size	Cover	List Price
CO-272, 3, 4	12	2, 3, 4"	ductile iron	734.50
CO-272, 3, 4-1	12	2, 3, 4"	nickel bronze	1,041.00



Options for CO-270

Suffix	Description	List Price
-None	No Hub Outlet	No Add
P	Push-On Outlet	No Add
-X	Inside Caulik (6" only)	No Add
-6	Vandal Proof	\$157.00
-13	All Galvanized	436.00

Chart A			
Pipe Size	NH	Push-On	PVC/ABS
2"	4-3/4"	5-1/2"	4"
3"	4-3/4"	5-1/2"	4"
4"	4-3/4"	5-1/2"	4"

Consult factory for all pricing and applications outside of listed parameters.

Prices do not include applicable taxes.

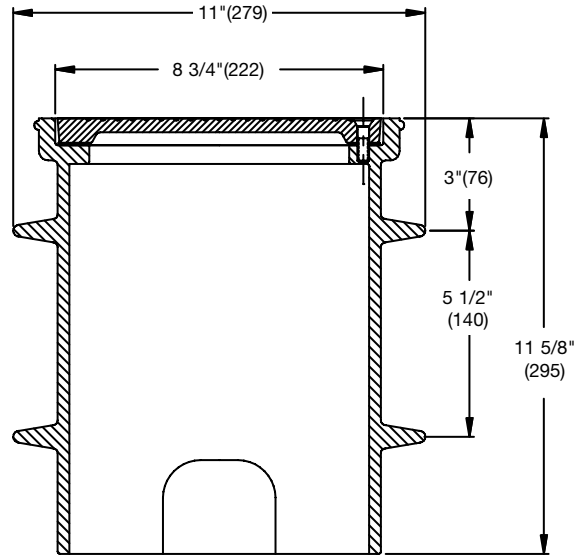


Access Housings

CO-300-MF Extra Heavy Duty Access Housing

Model Number	EDP#	Wt., Lbs.	Cover	List Price
CO-302-MF	8134049	35	ductile iron	\$2,252.00

Note: Use CO-380 cleanout if required.



Options for CO-300-MF

Suffix	Description	List Price
-6	Vandal Proof	\$157.00
-13	All Galvanized	1,254.00

CO-600-R Isolation Cleanout

Model Number	Wt., Lbs.	Pipe Size	Cover	List Price
CO-602-R	25	2"(51)	nickel bronze	\$2,832.00
CO-603-R	25	3"(76)	nickel bronze	2,832.00
CO-604-R	26	4"(102)	nickel bronze	2,832.00
CO-606-R	28	6"(152)	nickel bronze	3,032.00

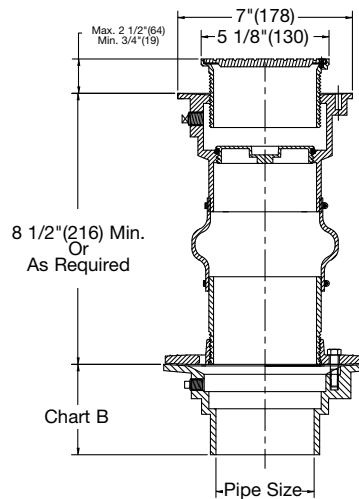


Chart A			
Pipe Size	NH	Push-On	PVC/ABS
2"	4-3/4"	5-1/2"	4"
3"	4-3/4"	5-1/2"	4"
4"	4-3/4"	5-1/2"	4"

Options for CO-600

Suffix	Description	List Price	Suffix	Description	List Price
None	No Hub Outlet	No Add	-6	Vandal Proof	\$142.50
P	Push-On Outlet	No Add	-13	Galvanized Body	646.00
-X	Inside Caulk	No Add	-60	PVC Body w/Poly Plug	No Add
-C	Membrane Clamp	\$175.00	-61	ABS Body w/Poly Plug	No Add
-CF	Carpet Clamping Flange	462.00			

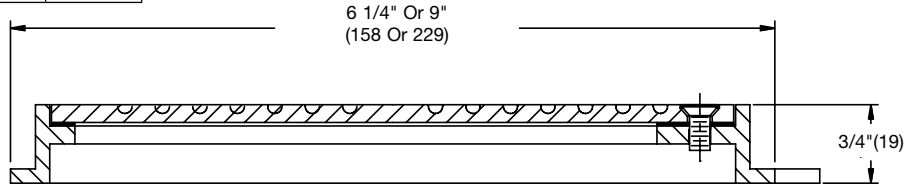


Consult factory for all pricing and applications outside of listed parameters.
Prices do not include applicable taxes.

Access Covers

CO-300-R Round Serrated Access Cover

Model Number	EDP#	Wt., Lbs.	Pipe Size	Cover	List Price
CO-300-R6	8134055	5	6-1/4"	nickel bronze	\$567.00
CO-300-R9	8100586	10	9"	nickel bronze	1,432.00

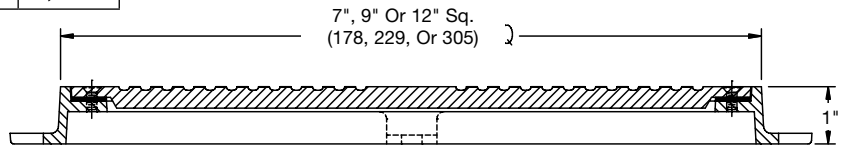


Options for CO-300-R Series:

Suffix	Description	List Price
-6	Vandal Proof	\$157.00

CO-300-S Square Serrated Access Cover

Model Number	EDP#	Wt., Lbs.	Pipe Size	Cover	List Price
CO-300-S7	8134075	5	7"x7"	nickel bronze	\$978.50
CO-300-S8-9	8188398	9	8"x8"	nickel bronze	1,344.00
CO-300-S9	8134081	10	9"x9"	nickel bronze	1,438.00
CO-300-S12	8134067	13	12"x12"	nickel bronze	1,550.00



Options for CO-300-S Series:

Suffix	Description	List Price
-6	Vandal Proof	\$157.00

Consult factory for all pricing and applications outside of listed parameters.

Prices do not include applicable taxes.

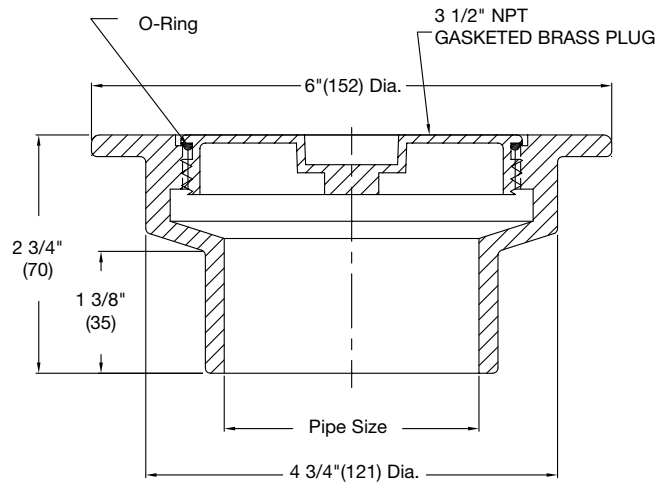


General Purpose Floor Cleanouts

CO-380

Cleanout Ferrule with Brass Plug

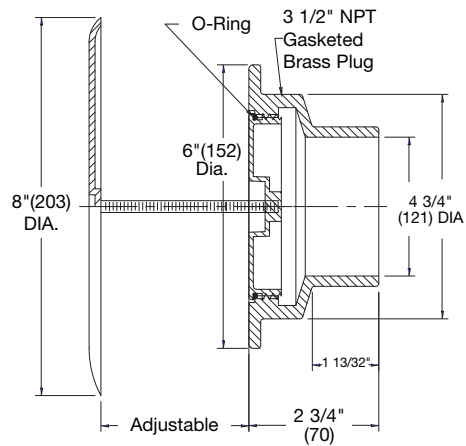
Model Number	EDP#	Wt., Lbs.	Pipe Size	List Price
CO-382	8185255	2	2"	\$159.50
CO-383	8185014	4	3"	241.50
CO-384	8185015	5	4"	334.50
CO-386	8185016	8	6"	682.50



CO-380-RD

Wall Cleanout Ferrule with Stainless Steel Cover

Model Number	EDP#	Wt., Lbs.	Pipe Size	Cover Size	List Price
CO-382-RD	8186182	3	2"	8"	\$377.50
CO-383-RD	8186180	5	3"	8"	464.00
CO-384-RD	8186181	6	4"	8"	557.50
CO-386-RD	8186183	9	6"	8"	1,235.00

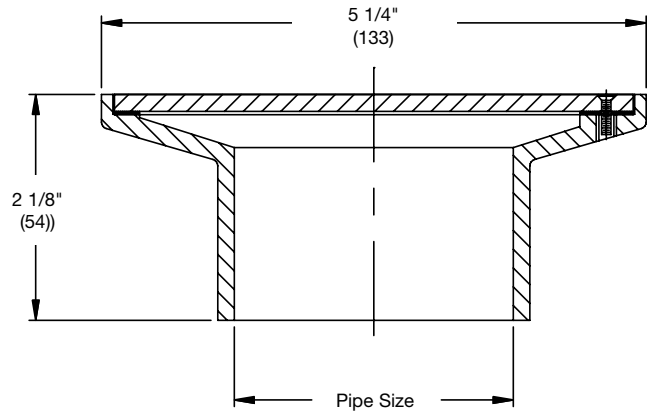


General Purpose Floor Cleanouts

CO-390-E

General Purpose Floor Cleanout

Model Number	EDP#	Wt., Lbs.	Pipe Size	Cover	List Price
CO-392, 3, 4-E	8133715	4	2, 3, 4"	ductile iron	\$346.50
CO-392, 3, 4-E-1	8133713	4	2, 3, 4"	nickel bronze	459.00



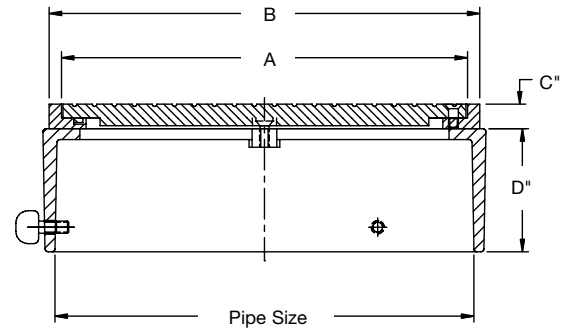
Options for CO-390-E:

Suffix	Description	List Price
-6	Vandal Proof	\$157.00
-60	PVC Body w/Socket Outlet	No Add
-61	ABS Body w/Socket Outlet	No Add

CO-410

Floor Access Housing

Model Number	EDP#	Wt., Lbs.	Pipe Size	Cover	List Price
CO-413, 4	8152171	5	3, 4"	ductile iron	\$686.50
CO-413, 4-1	8152170	5	3, 4"	nickel bronze	904.50
CO-416	8152175	9	6"	ductile iron	941.50
CO-416-1	8152174	9	6"	nickel bronze	1,207.00



Dimensions in Inches

Model Number	Pipe Size	A	B	C	D
CO-413	3	5	5-1/4	3/8	2-5/8
CO-414	4	7	7-1/4	1/2	2-3/4
CO-416	6	8-3/4	9	1/2	3

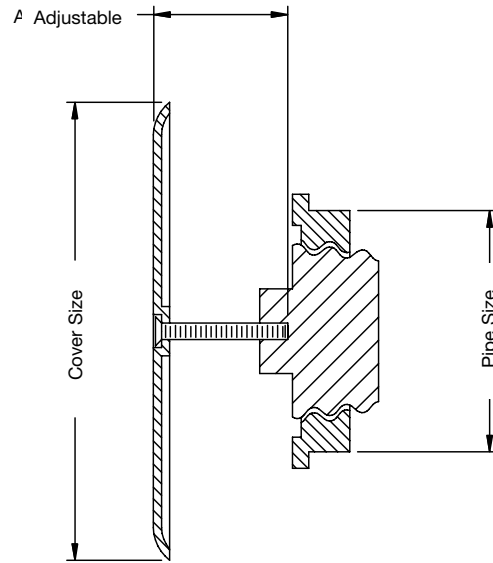
Options for CO-410:

Suffix	Description	List Price
-6	Vandal Proof	\$157.00

Wall Cleanouts

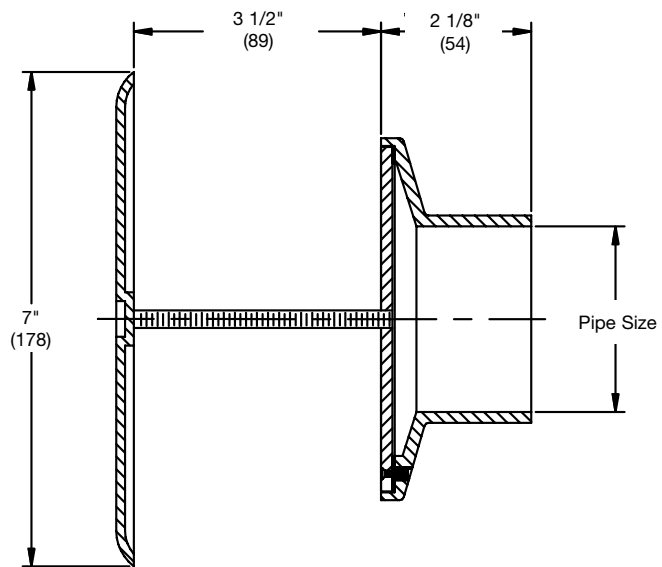
CO-440-RD Series Poly Wall Cleanout with Stainless Steel Cover

Model Number	EDP#	Wt., Lbs.	Pipe Size	Cover Size	List Price
CO-441.5-RD	8185247	2	1-1/2"	5"	\$300.00
CO-442-RD	8185248	2	2"	5"	316.00
CO-443-RD	8185249	2	3"	7"	386.00
CO-444-RD	8185262	2	4"	7"	510.00



CO-450-RD Line Cleanout with Stainless Steel Cover

Model Number	EDP#	Wt., Lbs.	Pipe Size	List Price
CO-452-RD	8185219	5	2"	\$386.00
CO-453-RD	8185220	5	3"	476.00
CO-454-RD	8185221	5	4"	561.50



Options for CO-450-RD

Suffix	Description	List Price
-60	PVC Body w/Socket Outlet	No Add
-61	ABS Body w/Socket Outlet	No Add

Wall Cleanouts

CO-460

Stack Cleanout with Brass Plug

Model Number	EDP#	Wt., Lbs.	Pipe Size	List Price
CO-462	8134183	8	2"	\$371.00
CO-463	8134190	15	3"	461.00
CO-464	8134196	17	4"	715.50

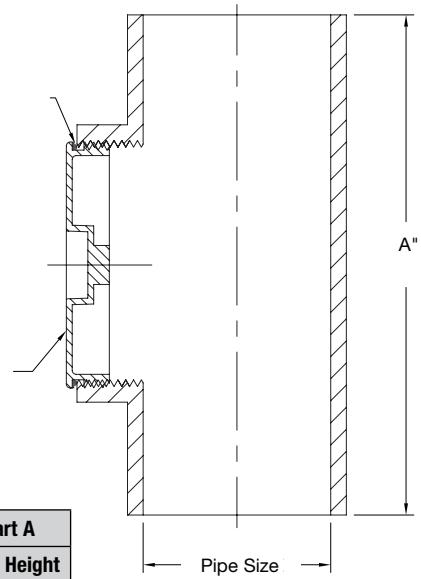


Chart A	
Size	Height
2"	6-1/4"
3"	7-3/4"
4"	9"

CO-460-RD

Stack Cleanout with Brass Plug & Stainless Steel Cover

Model Number	EDP#	Wt., Lbs.	Pipe Size	Cover	List Price
CO-462-RD	8185222	9	2"	stainless steel	\$591.00
CO-463-RD	8134193	16	3"	stainless steel	677.00
CO-464-RD	8134199	18	4"	stainless steel	990.50

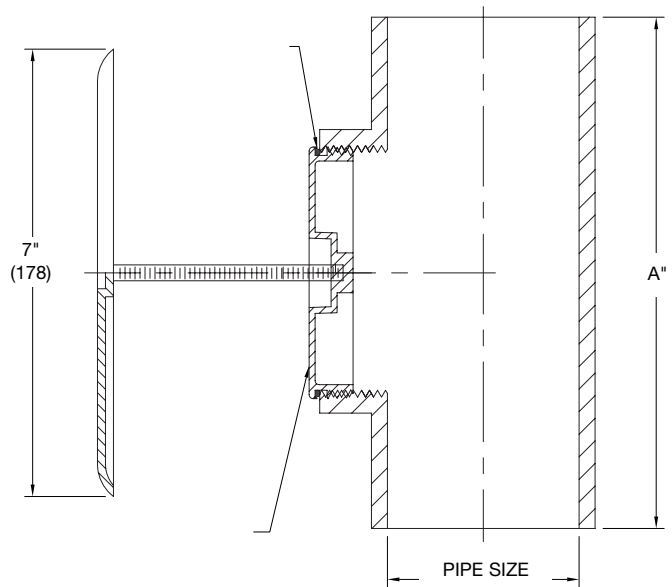


Chart A	
Size	Height
2"	6-1/4"
3"	7-3/4"
4"	9"

Consult factory for all pricing and applications outside of listed parameters.

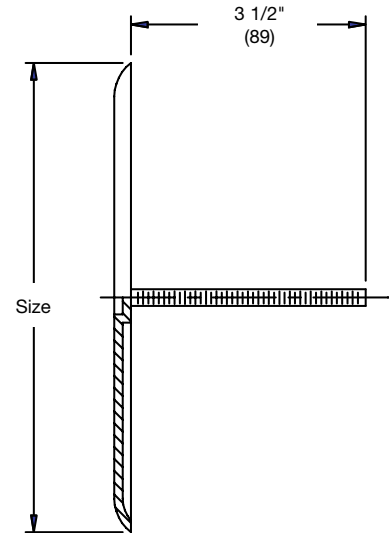
Prices do not include applicable taxes.



Wall Cleanouts

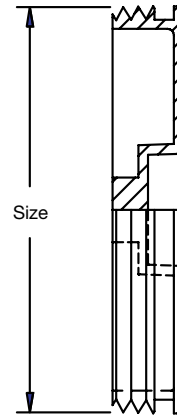
CO-480-RD Stainless Steel Access Cover with Screw

Model Number	EDP#	Wt., Lbs.	Pipe Size	List Price
CO-480-RD5	8134232	1	5"	\$218.50
CO-480-RD6	8134234	1	6"	218.50
CO-480-RD7	8134236	1	7"	276.50
CO-480-RD8	8134238	1	8"	487.50
CO-480-RD10	8134228	1	10"	770.00



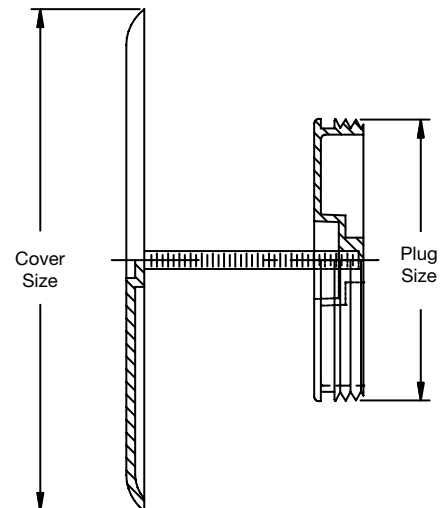
CO-590 Brass Cleanout Plug

Model Number	EDP#	Wt., Lbs.	Size	List Price
CO-591.5	8185019	1/2	1-1/2"	\$75.75
CO-592	8134262	3/4	2"	89.00
CO-593	8134269	1	3"	159.50
CO-594	8134279	1-1/2	4"	273.00
CO-595	8134284	1-1/2	5"	422.00
CO-596	8185020	3	6"	567.00



CO-590-RD Wall Cleanout with Brass Plug, Stainless Steel Cover

Model Number	EDP#	Wt., Lbs.	Pipe Size	Cover Size	List Price
CO-591.5-RD	8185225	1	1-1/2"	5"	\$300.00
CO-592-RD	8134264	1-1/4	2"	5"	306.50
CO-593-RD	8134270	1-1/2	3"	7"	377.50
CO-594-RD	8134280	2	4"	7"	499.00
CO-595-RD	8185229	2	5"	8"	695.50
CO-596-Rd	8185230	3-1/2	6"	8"	1,070.00

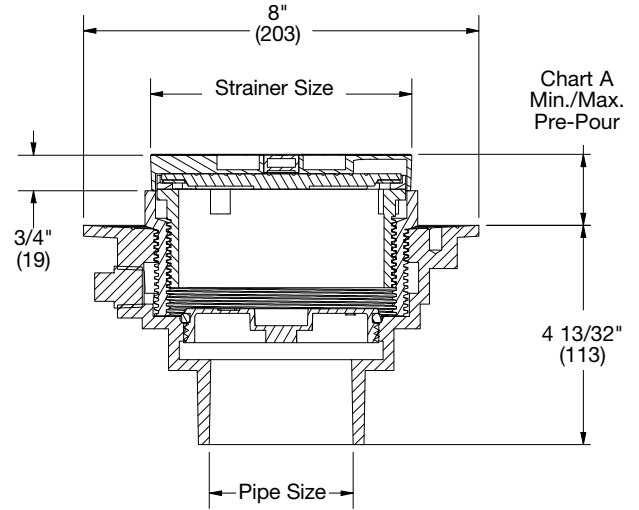


Stainless Steel Top Floor Cleanouts

CO-1190-PR

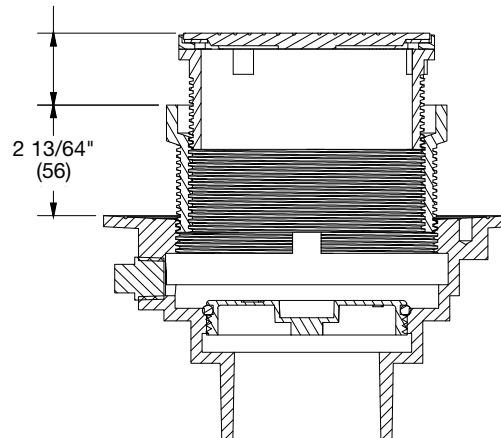
Pronto!® Cast Iron Adjustable Cleanout with Integrated Level

Model Number	Wt., Lbs.	Pipe Size	Cover Size	Cover	List Price
CO-1192-PR5	14	2"(51)	5"(127)	stainless steel	\$1,823.00
CO-1192-PR6	16	2"(51)	6"(152)	stainless steel	1,862.00
CO-1193-PR5	14	3"(76)	5"(127)	stainless steel	1,862.00
CO-1193-PR6	16	3"(76)	6"(152)	stainless steel	1,944.00
CO-1194-PR5	14	4"(102)	5"(127)	stainless steel	2,025.00
CO-1194-PR6	16	4"(102)	6"(152)	stainless steel	1,944.00
CO-1192P-PR5	13	2"(51)	5"(127)	stainless steel	1,823.00
CO-1192P-PR6	15	2"(51)	6"(152)	stainless steel	1,862.00
CO-1193P-PR5	13	3"(76)	5"(127)	stainless steel	1,862.00
CO-1193P-PR6	15	3"(76)	6"(152)	stainless steel	1,862.00
CO-1194P-PR5	13	4"(102)	5"(127)	stainless steel	2,025.00
CO-1194P-PR6	15	4"(102)	6"(152)	stainless steel	2,102.00



PATENTED

0-1" Adj. Post-Pour



Patent No. USD897503 and Patents Pending

Chart A

Cover Size	Min.	Max.	Load Rating
5"(127)	1 7/16"(37)	2 15/16"(75)	MD
6"(152)	1 7/16"(37)	2 15/16"(75)	LD

Chart B

Pipe Size	Std. No Hub	P Push On
2"(51)	4 7/16"(113)	4 7/8"(124)
3"(76)	4 7/16"(113)	4 7/8"(124)
4"(102)	4 7/16"(113)	4 7/8"(124)

Options for CO-1190-PR:

Suffix	Description	List Price
-C	SS Membrane Clamp	\$379.00

Consult factory for all pricing and applications outside of listed parameters.

Prices do not include applicable taxes.

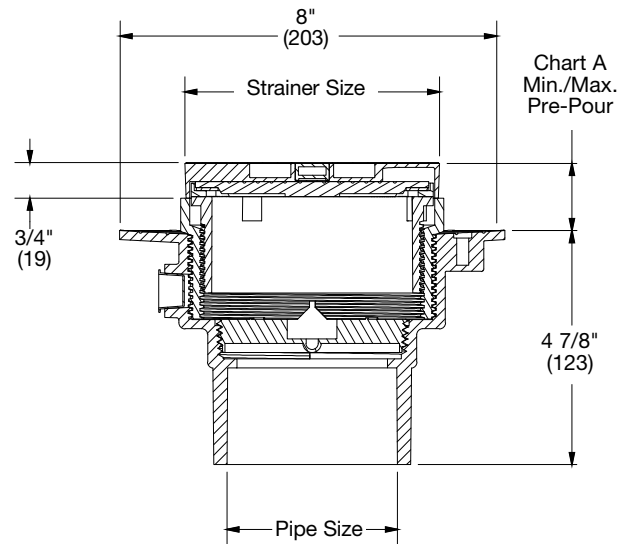


Stainless Steel Top Floor Cleanouts

CO-1190-PR-60

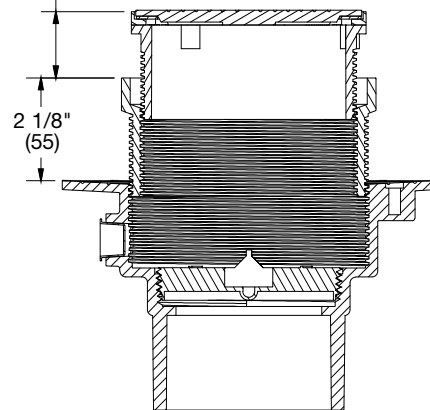
Pronto!® PVC Adjustable Cleanout with Integrated Level

Model Number	Wt., Lbs.	Pipe Size	Cover Size	Cover	List Price
CO-1192-PR5-60	5	2"(51)	5"(127)	stainless steel	\$1,337.00
CO-1192-PR6-60	6	2"(51)	6"(152)	stainless steel	1,377.00
CO-1193-PR5-60	5	3"(76)	5"(127)	stainless steel	1,377.00
CO-1193-PR6-60	6	3"(76)	6"(152)	stainless steel	1,459.00
CO-1194-PR5-60	5	4"(102)	5"(127)	stainless steel	1,617.00
CO-1194-PR6-60	6	4"(102)	6"(152)	stainless steel	1,617.00
CO-1192N-PR5-60	4	2"(51)	5"(127)	stainless steel	1,337.00
CO-1192N-PR6-60	5	2"(51)	6"(152)	stainless steel	1,377.00
CO-1193N-PR5-60	4	3"(76)	5"(127)	stainless steel	1,377.00
CO-1193N-PR6-60	5	3"(76)	6"(152)	stainless steel	1,459.00
CO-1194N-PR5-60	4	4"(102)	5"(127)	stainless steel	1,617.00
CO-1194N-PR6-60	5	4"(102)	6"(152)	stainless steel	1,694.00



PATENTED

0-1" Adj. Post-Pour



Patent No. USD897503 and Patents Pending

Chart A			
Cover Size	Min.	Max.	Load Rating
5"(127)	1 7/16"(37)	2 15/16"(75)	MD
6"(152)	1 7/16"(37)	2 15/16"(75)	LD

Chart B		
Pipe Size	Std. 60 PVC	No Hub
2"(51)	4 1/4"(108)	4 3/4"(121)
3"(76)	4 1/4"(108)	4 3/4"(121)
4"(102)	4 1/4"(108)	4 3/4"(121)

Options for CO-1190-PR-60:

Suffix	Description	List Price
-C	SS Membrane Clamp	\$379.00



Consult factory for all pricing and applications outside of listed parameters. Prices do not include applicable taxes.

Stainless Steel Top Floor Cleanouts

CO-1200-R

Floor Cleanout with Round Stainless Steel Top



Model Number	Wt., Lbs.	Pipe Size	Cover	List Price
CO-1202-R	11	2"	stainless steel	\$1,356.00
CO-1203-R	11	3"	stainless steel	1,415.00
CO-1204-R	11	4"	stainless steel	1,771.00

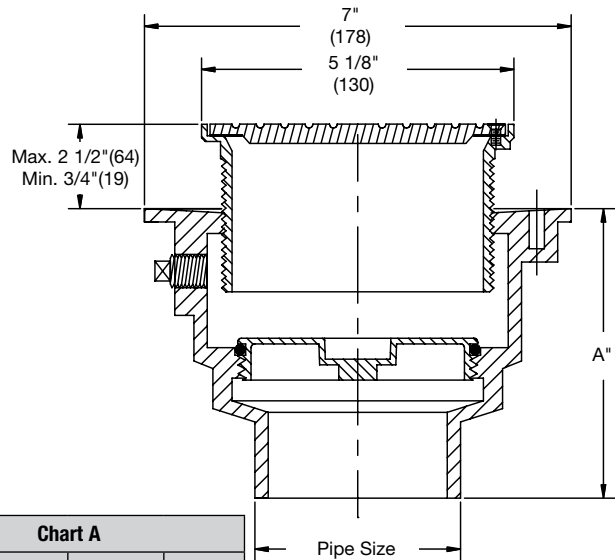


Chart A			
Pipe Size	NH	Push-On	PVC/ABS
2"	4-3/4"	5-1/2"	4"
3"	4-3/4"	5-1/2"	4"
4"	4-3/4"	5-1/2"	4"

CO-1200-RX

Floor Cleanout with Heavy Duty Round Stainless Steel Top



Model Number	Wt., Lbs.	Pipe Size	Cover	List Price
CO-1202-RX	12	2"	stainless steel	\$1,606.00
CO-1203-RX	12	3"	stainless steel	1,666.00
CO-1204-RX	12	4"	stainless steel	2,021.00

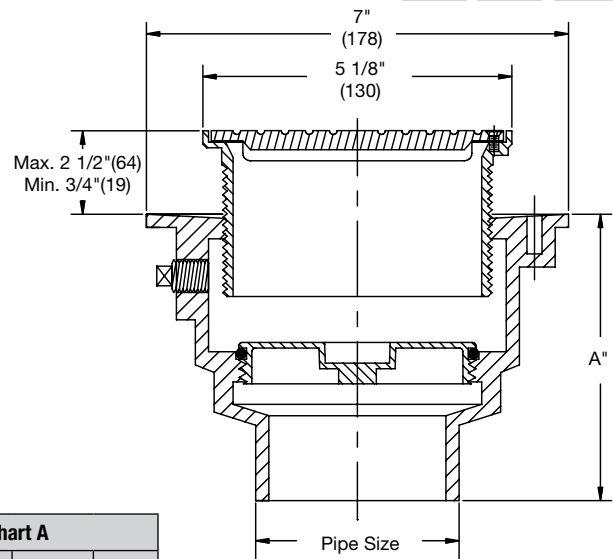


Chart A			
Pipe Size	NH	Push-On	PVC/ABS
2"	4-3/4"	5-1/2"	4"
3"	4-3/4"	5-1/2"	4"
4"	4-3/4"	5-1/2"	4"

Options for CO-1200:

Suffix	Description	List Price	Suffix	Description	List Price
None	No Hub Outlet	No Add	-6	Vandal Proof	\$157.00
P	Push-On Outlet	No Add	-13	Galvanized Body	356.00
-X	Inside Caulk	No Add	-28	304 SS Body & Plug	1,481.00
-C	Membrane Clamp	\$175.00	-60	PVC Body w/Poly Plug	No Add
			-61	ABS Body & Poly Plug	No Add

Consult factory for all pricing and applications outside of listed parameters.

Prices do not include applicable taxes.

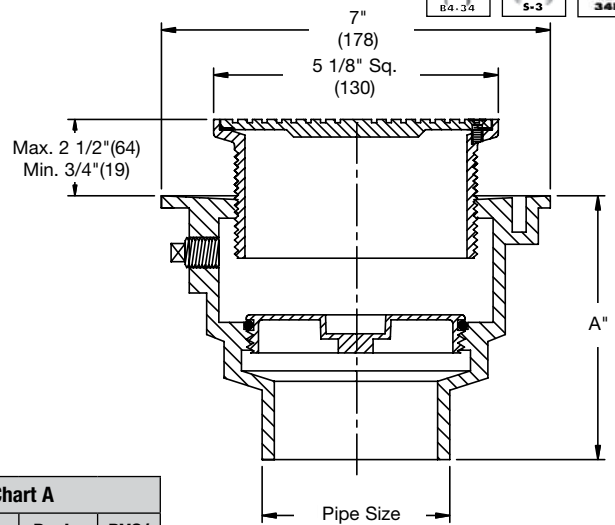


Stainless Steel Top Floor Cleanouts

CO-1200-S

Floor Cleanout with Square Stainless Steel Top

Model Number	Wt., Lbs.	Pipe Size	Cover	List Price
CO-1202-S	11	2"	stainless steel	\$1,356.00
CO-1203-S	11	3"	stainless steel	1,415.00
CO-1204-S	11	4"	stainless steel	1,771.00

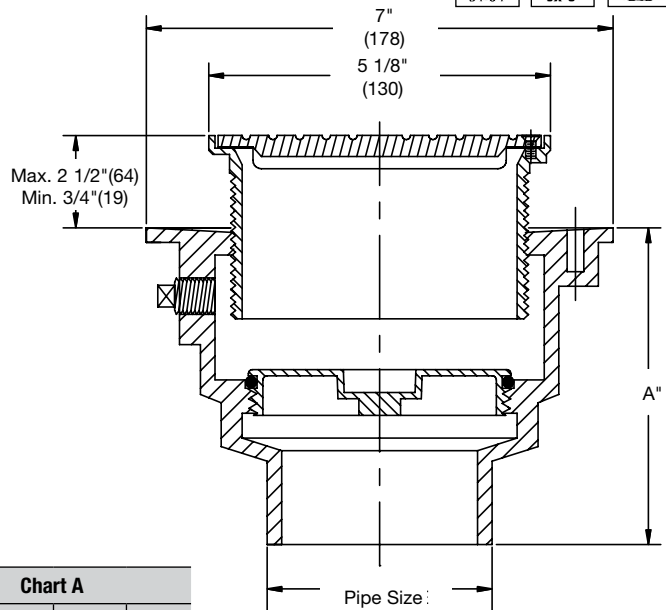


Pipe Size	NH	Push-On	PVC/ABS
2"	4-3/4"	5-1/2"	4"
3"	4-3/4"	5-1/2"	4"
4"	4-3/4"	5-1/2"	4"

CO-1200-SX

Floor Cleanout with Heavy Duty Square Stainless Steel Top

Model Number	Wt., Lbs.	Pipe Size	Cover	List Price
CO-1202-SX	12	2"	stainless steel	\$1,606.00
CO-1203-SX	12	3"	stainless steel	1,666.00
CO-1204-SX	12	4"	stainless steel	2,021.00



Pipe Size	NH	Push-On	PVC/ABS
2"	4-3/4"	5-1/2"	4"
3"	4-3/4"	5-1/2"	4"
4"	4-3/4"	5-1/2"	4"

Options for CO-1200

Suffix	Description	List Price	Suffix	Description	List Price
None	No Hub Outlet	No Add	-6	Vandal Proof	\$157.00
P	Push-On Outlet	No Add	-13	Galvanized Body	356.00
-X	Inside Caulk	No Add	-28	304 SS Body & Plug	1,481.00
-C	Membrane Clamp	\$175.00	-60	PVC Body w/Poly Plug	No Add
			-61	ABS Body & Poly Plug	No Add

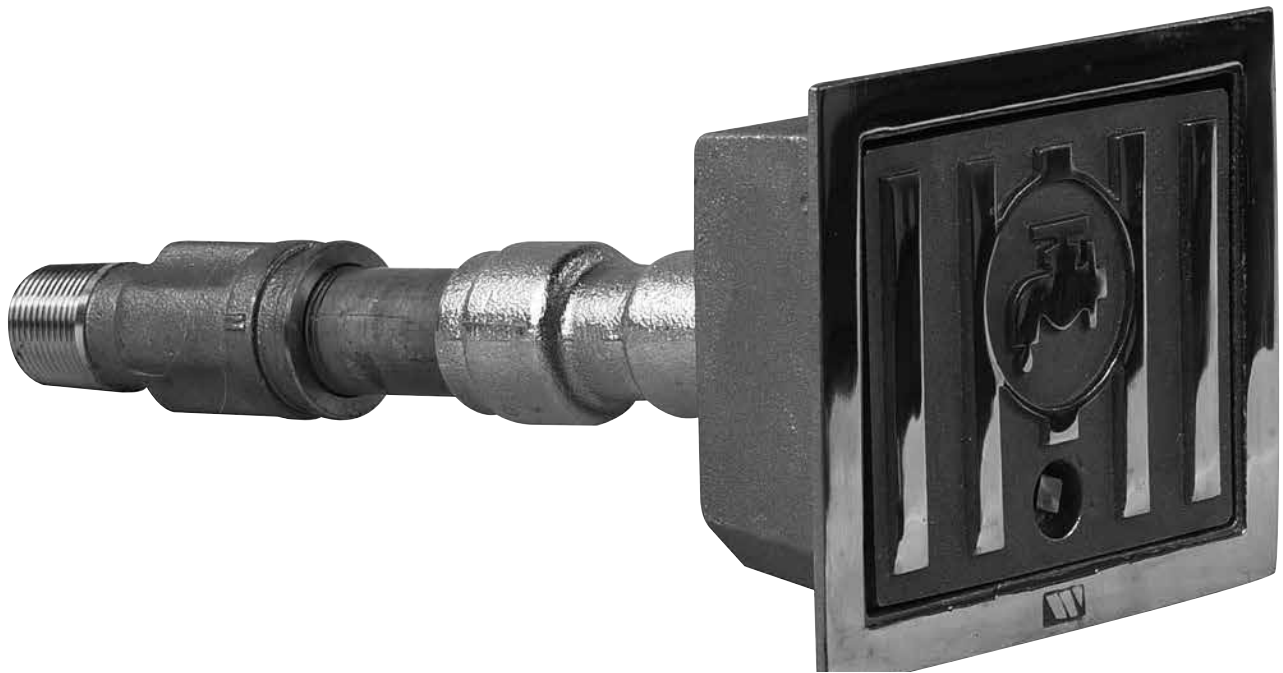


Consult factory for all pricing and applications outside of listed parameters. Prices do not include applicable taxes.

Hydrants

Table Of Contents

- Pictorial Index
- Product Recommendations
- Standard Specifications
- Hydrant Selection Factors
- Typical Installations



Consult factory for all pricing and applications outside of listed parameters.

Prices do not include applicable taxes.

WATTS®

Hydrants

Pictorial Index



HY-420
Non-Freeze Wall Hydrant
w/Integral Vacuum Breaker



HY-725
Non-Freeze Wall Hydrant w/NB
Box, Integral Vacuum Breaker



HY-430
Moderate Climate



HY-330
Moderate Climate w/Box



HY-440
Moderate Climate Narrow
Wall Hydrant



HY-450
Moderate Climate Narrow
Wall Hydrant w/ NB Box



HY-500
Deck Hydrant w/Box



HY-600
Post Hydrant



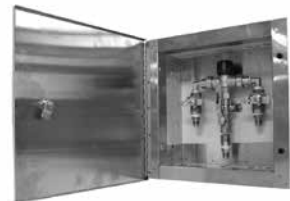
HY-700
Dual-Temp



HY-800
Non-Freeze Yard Hydrant



HY-900
Non-Freeze Roof Hydrant



FS-890
Water Supply Control Box

Hydrants

Recommendations

Application	Product
Exterior Wall Non-Freeze	HY-420, HY-725
Exterior Wall Moderate Climate	HY-430, HY-330
Hot & Cold	HY-700
Interior Wall	HY-440, HY-450
Outdoor Deck	HY-500
Outdoor Post	HY-600, HY-800
Roof	HY-900

Standard Specifications

Watts standard hydrants are key operated, with a 3/4" hose connection, chrome plated face, and all bronze head, wall casing, seat casting, and internal working parts. The piping connection is dual threaded 3/4" male, 1" female. Non-freeze and moderate climate wall hydrants are furnished with a built-in vacuum breaker, which relieves negative pressure in the water supply piping, preventing back siphonage.

Hydrant Selection Factors

Flow rate

Standard 3/4" hydrants discharge approximately 10 GPM under normal operating conditions. Actual flow rates are dependent upon connection sizes and operating pressures.

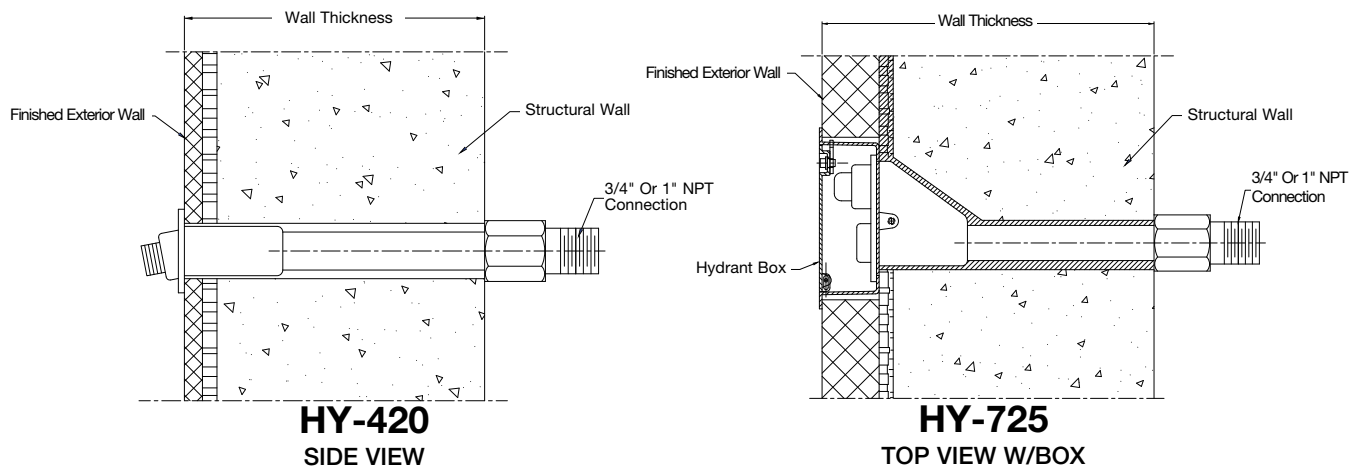
Non-freeze (frost-proof)

Non-freeze hydrants drain automatically when the water is turned off, preventing freezing, and potential damage to the hydrant or piping system.

Operating range

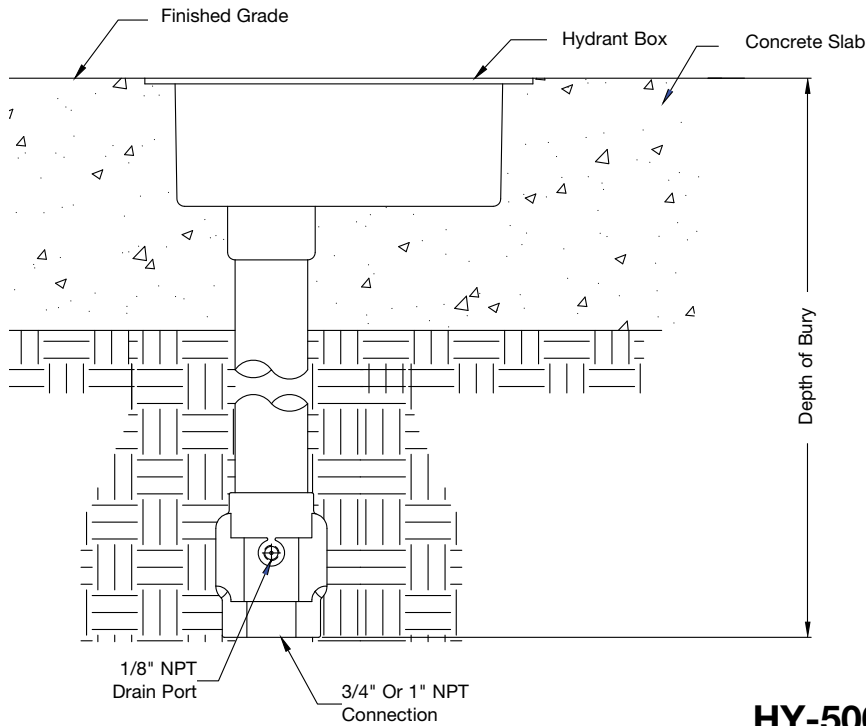
Watts hydrants are designed to operate within a pressure range of 8 PSI to 125 PSI, and a temperature range of 33°F to 140°F.

Typical Installations

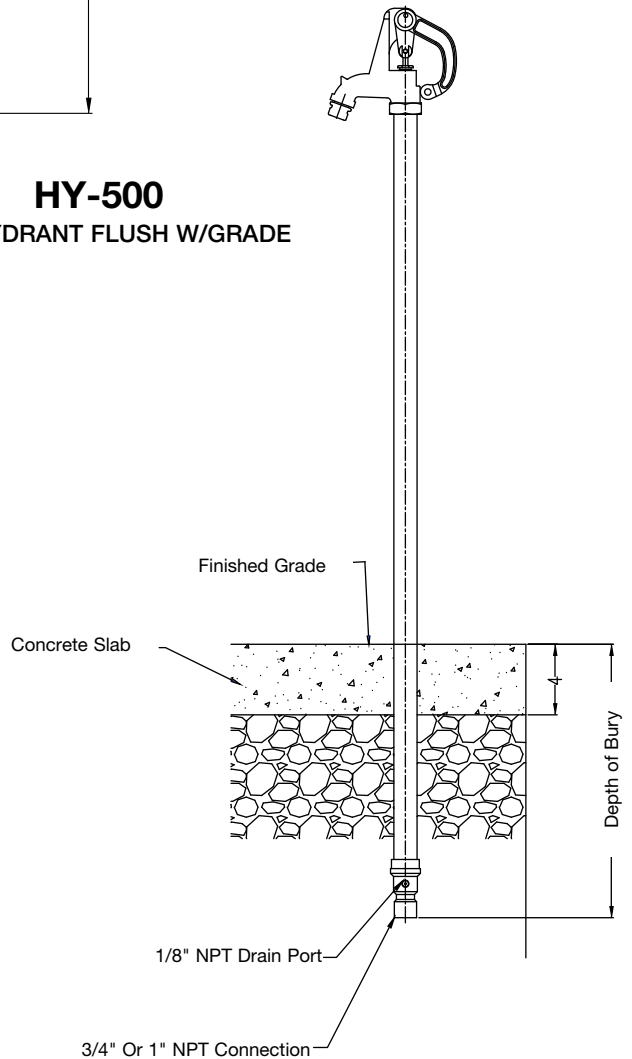


Hydrants

Typical Installations



HY-500
BOX HYDRANT FLUSH W/GRADE



HY-800
POST HYDRANT



Consult factory for all pricing and applications outside of listed parameters.
Prices do not include applicable taxes.

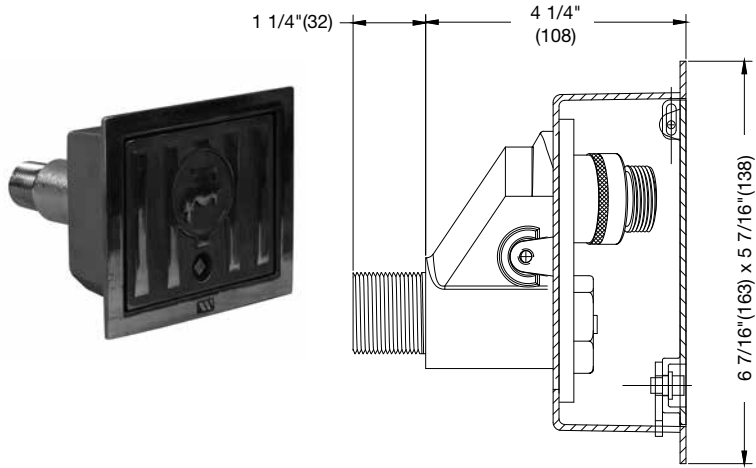
Wall Hydrants

HY-330

Moderate Climate Wall Hydrant with NB Box, Integral Vacuum Breaker

Model Number	Hose Conn.	List Price
HY-330	3/4"	\$2,182.00

EDP #	Description	List Price
8142413	HY-400-PVB Vacuum Breaker	\$442.50
8142272	HY-430-CIA Repair Kit	\$790.00



Options for HY-330

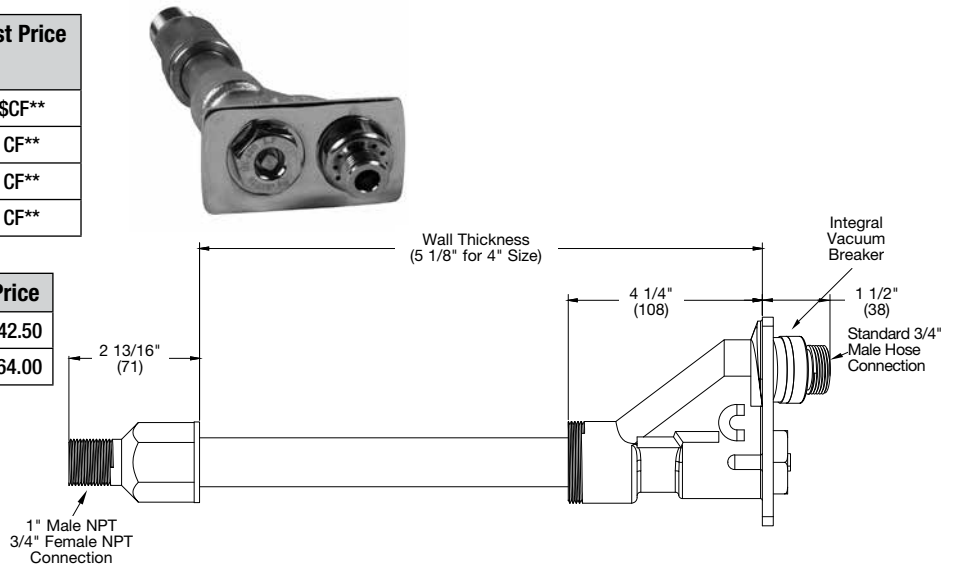
Suffix	Description	List Price
-K	Cylinder Lock	\$306.00
-3	Stainless Steel Box	No Add

HY-420

Non-Freeze Wall Hydrant with Chrome Face, Integral Vacuum Breaker

Model Number	Wt. Lbs.	Wall Thickness	List Price
HY-420-4, 6, 8	5	4, 6, 8"	\$CF**
HY-420-10, 12, 14	6	10, 12, 14"	CF**
HY-420-16, 18	7	16, 18"	CF**
HY-420-20, 22, 24	8	20, 22, 24"	CF**

EDP #	Description	List Price
8142413	HY-400-PVB Vacuum Breaker	\$442.50
8142406	HY-420-CIA Repair Kit	\$1,064.00

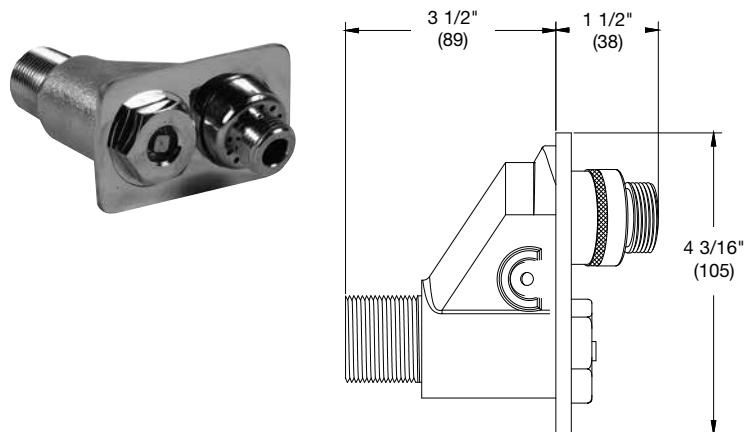


HY-430

Moderate Climate Wall Hydrant with Chrome Face, Integral Vacuum Breaker

Model Number	Hose Conn.	List Price
HY-430	3/4"	\$1,078.00

EDP #	Description	List Price
8142413	HY-400-PVB Vacuum Breaker	\$442.50
8142272	HY-430-CIA Repair Kit	\$790.00



Consult factory for all pricing and applications outside of listed parameters.

Prices do not include applicable taxes.



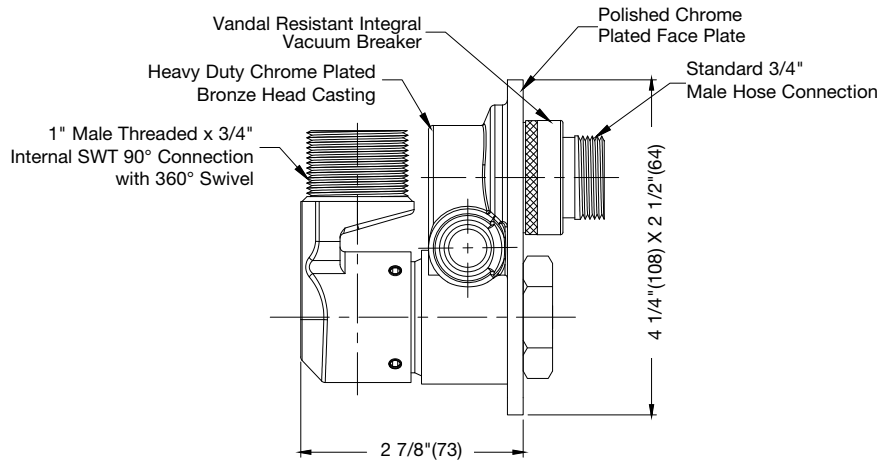
Wall Hydrants

HY-440

Moderate Climate Narrow Wall Hydrant

Model Number	EDP#	Hose Conn.	List Price
HY-440	8187868	3/4"	\$1,078.00

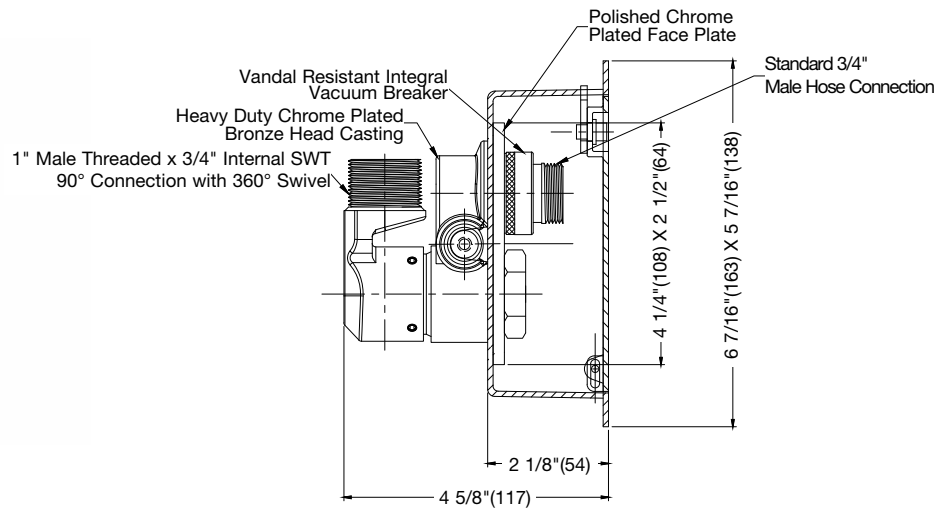
EDP #	Description	List Price
8142413	HY-400-PVB Vacuum Breaker	\$442.50
8188776	HY-440-CIA Repair Kit	\$790.00



HY-450

Moderate Climate Narrow Wall Hydrant w/NB Box

Model Number	Hose Conn.	List Price
HY-450	3/4"	\$2,182.00



Options for HY-450

Suffix	Description	List Price
-K	Cylinder Lock	\$306.00
-R	Round Box For Tilt-Up Construction (Stainless Steel Only)	No Add
-3	Stainless Steel Box	No Add



Consult factory for all pricing and applications outside of listed parameters.
Prices do not include applicable taxes.

Ground Hydrants

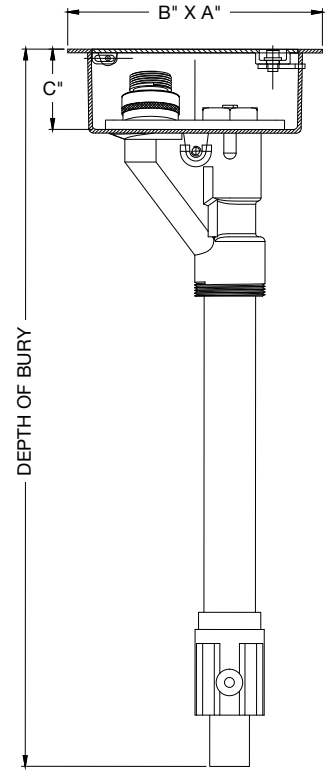
HY-500

Non-Freeze Deck Hydrant with NB Box

Model Number	Depth	Wt. Lbs.	3/4" Conn.	1" Conn.	1-1/4" Conn.	1-1/2" Conn.	2" Conn.
HY-502	2'	10	\$3,261.00	\$3,925.00	\$13,837.00	\$15,193.00	\$17,732.00
HY-503	3'	14	3,515.00	4,184.00	14,297.00	15,769.00	18,486.00
HY-504	4'	18	3,771.00	4,439.00	14,759.00	16,346.00	19,245.00
HY-505	5'	22	4,027.00	4,695.00	15,221.00	16,920.00	20,003.00
HY-506	6'	26	4,281.00	4,946.00	15,680.00	17,504.00	20,763.00
HY-508	8'	30	4,792.00	5,460.00	16,602.00	18,659.00	22,278.00

EDP #	Description	List Price
8142413	HY-400-PVB Vacuum Breaker	\$442.50
8188774	HY-500-RK (Repair Kit)	\$1,001.00

Conn. Size	A	B	C
3/4" & 1"	5-5/8"	6-7/8"	2-1/4"
1-1/4" to 2"	10-1/2"	10-1/2"	3-1/2"



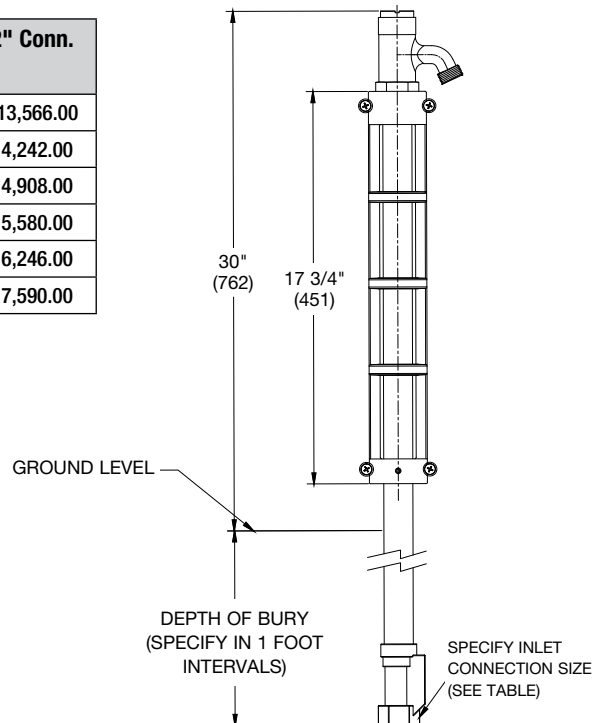
Note: Vacuum Breaker STD on 3/4" - 1"

HY-600

Non-Freeze Post Hydrant

Model Number	EDP#	Depth	3/4" Conn.	1" Conn.	1-1/4" Conn.	1-1/2" Conn.	2" Conn.
HY-600-2	8142543	2'	\$3,264.00	\$4,416.00	\$7,835.00	\$10,915.00	\$13,566.00
HY-600-3	8142550	3'	3,537.00	4,695.00	8,638.00	11,576.00	14,242.00
HY-600-4	8142558	4'	3,812.00	4,971.00	9,443.00	12,234.00	14,908.00
HY-600-5	8142565	5'	4,091.00	5,247.00	10,253.00	12,894.00	15,580.00
HY-600-6	8142574	6'	4,370.00	5,525.00	11,058.00	13,549.00	16,246.00
HY-600-8	8142588	8'	4,917.00	6,073.00	12,675.00	14,860.00	17,590.00

EDP #	Description	List Price
8154686	HY-600-CIA Repair Kit	\$1,592.00



Consult factory for all pricing and applications outside of listed parameters.

Prices do not include applicable taxes.

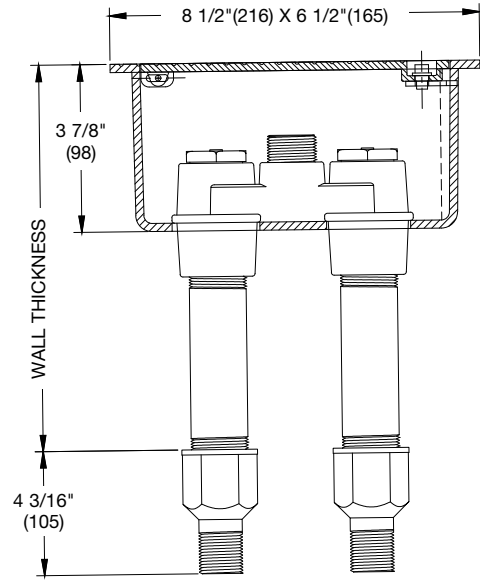


Wall Hydrants

HY-700

Non-Freeze Dual-Temp Wall Hydrant with SS Box

Model Number	EDP#	Wt. Lbs.	Wall Thickness	1" Conn.	List Price
HY-700-6, 8	8142651	15	6", 8"	3/4"	\$6,251.00
HY-700-16, 18	8185525	19	16, 18"	3/4"	6,986.00



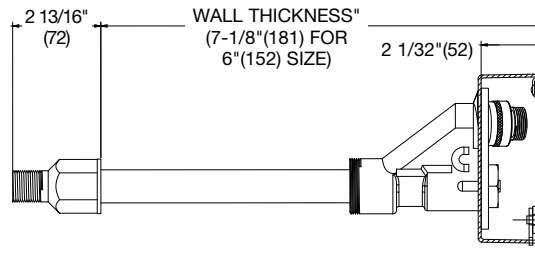
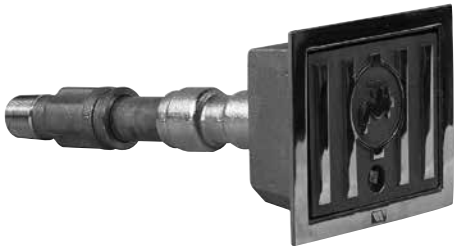
Options for HY-700

Suffix	Description	List Price
-K	Cylinder Lock	\$306.00
-LB	Less Box	-1,477.00
VB	Vacuum Breaker	225.00

HY-725

Non-Freeze Wall Hydrant with NB Box, Integral Vacuum Breaker

Model Number	Wt. Lbs.	Depth	Hose Conn.	List Price
HY-725-6, 8	7	6", 8"	3/4"	\$2,504.00
HY-725-10, 12, 14	8	10, 12, 14"	3/4"	2,734.00
HY-725-16, 18	9	16, 18"	3/4"	2,959.00
HY-725-20, 22, 24	10	20, 22, 24"	3/4"	3,036.00



STANDARD FINISH IS POLISHED NICKEL BRONZE

Options for HY-725

Suffix	Description	List Price
-K	Cylinder Lock	\$306.00
-R	Round Box For Tilt-Up Construction (Stainless Steel Only)	No Add
-3	Stainless Steel Box	No Add
-88	Wall Clamp	No Add



Consult factory for all pricing and applications outside of listed parameters. Prices do not include applicable taxes.

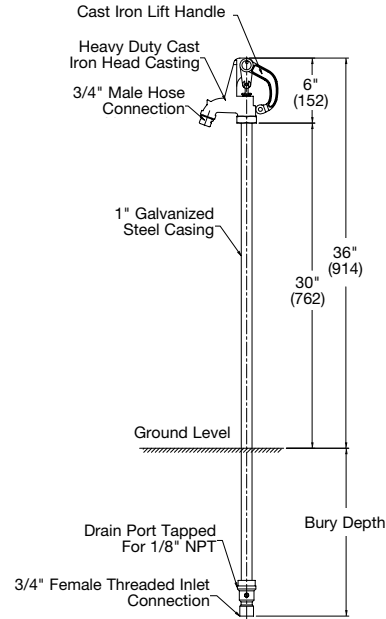
Yard Hydrants

HY-800

Non-Freeze Yard Hydrant

Model Number	EDP#	Wt. Lbs.	Bury Depth	Hose Conn.	List Price
HY-800-1	8187807	13	1'	3/4"	\$1,781.00
HY-800-2	8187658	15	2'	3/4"	1,881.00
HY-800-3	8187659	19	3'	3/4"	1,981.00
HY-800-4	8187660	23	4'	3/4"	2,089.00
HY-800-5	8187661	27	5'	3/4"	2,182.00
HY-800-6	8187662	31	6'	3/4"	2,283.00

EDP #	Description	List Price
8188777	HY-800/900 Repair Kit	\$790.00

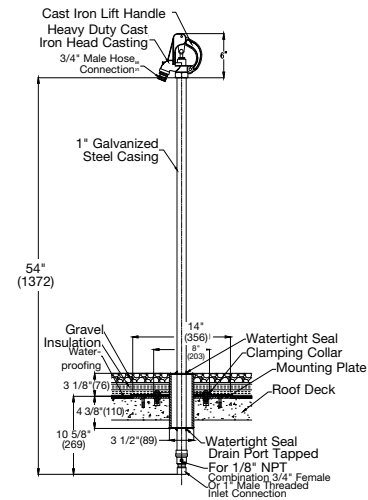


HY-900

Non-Freeze Roof Hydrant

Model Number	EDP#	Wt. Lbs.	Hose Conn.	List Price
HY-900	8188208	28	3/4"	\$5,109.00

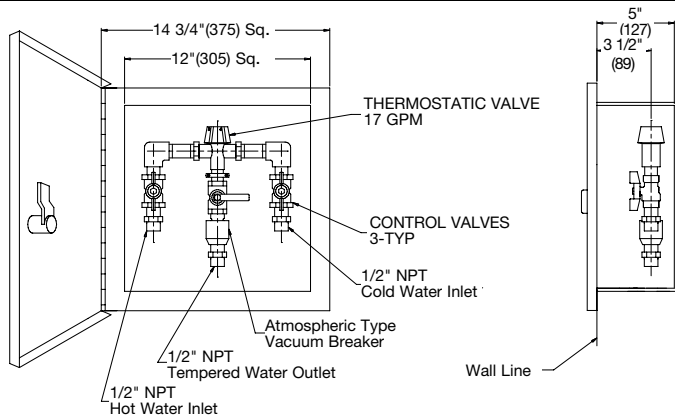
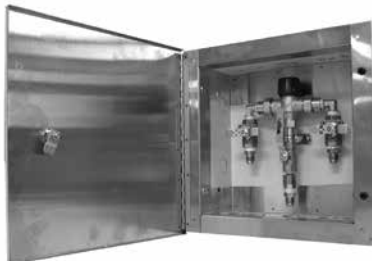
EDP#	Description	List Price
8188777	HY-800/900 Repair Kit	\$790.00



FS-890

Water Supply Control Box

Model Number	EDP#	Weight (lbs.)	Material	List Price
FS-890	8100741	15	stainless steel	\$8,624.00



Consult factory for all pricing and applications outside of listed parameters.

Prices do not include applicable taxes.



Specialties

Table Of Contents

- Pictorial Index
- Water Hammer Arrestors
 - Recommendations
 - Certification
 - Sizing & Placement
- Backwater Valves
 - Typical Installations
- Trap Primers
 - Compliance
 - Pressure & flow characteristics
 - Distribution unit
 - Typical installations
- Misc. Specialties



Specialties

Pictorial Index



LF15M2-DR Series
Copper
Water Hammer Arrestor



SS Series
Stainless Steel
Water Hammer Arrestor



BV-200
Cast Iron In-Line
Backwater Valve



BV-240
In-Line Backwater Valve
With Access Housing



BV-300
Ball Float Backwater
Valve



BV-600
Pit Drain With Backwater
Valve



LFTP300-DR
Trap Primer & Distribution
Unit



MS-930
Trap Primer Adaptor



MS-940-SS
Stainless Steel Trap
Primer Adaptor



MS-950
Funnel Trap Adaptor



MS-8000
Fresh Air Inlet



PS-Series
Plastic Pipe Sleeves

Specialties

Water Hammer Arrestors

Watts water hammer arrestors prevent water hammer in piping systems, which is usually caused by sudden changes in flow velocity. Solenoid actuated and other types of quick closing valves create shock pressure in the line, which leads to water hammer (banging pipes). Properly installed arrestors will absorb the shock, eliminating noise and potential damage to the piping system.

Certification

All Watts arrestors are Certified by the Plumbing & Drainage Institute (PDI), in accordance with Standard PDI-WH201.

Sizing & Placement

The PDI fixture unit methodology takes into consideration probabilities for coincidental valve closings, in addition to pipe size and length, flow pressure, and velocity.

- 1) Calculate the number of fixture units (Table 1) on each hot and cold water line separately. Determine the total number of fixture units on a line by adding the unit values.
- 2) From Table 2, select the Watts arrestor with a fixture unit value rating equal to, or greater than, the total number of fixture units on the line.
- 3) For multiple fixture branch lines over 20' in length, the arrestor should be placed between the last two fixtures (Fig. A).
- 4) For multiple fixture branch lines over 20' in length, two arrestors should be used, with the second unit placed at the approximate midpoint of the line. The sum of the unit ratings for the two arrestors should be equal to, or greater than, the total fixture units for the line (Fig. B).

For long runs of piping terminating at a piece of equipment, the arrestor size should be determined from Table 3. The arrestor(s) should be located as near as possible to the closure valve (Fig. C).

Note: Sizing recommendations are based on an average flow velocity between 5 and 10 feet per second, and an operating pressure less than 65 PSI. For operating pressures over 65 PSI, use the next larger arrestor size. A pressure reducing valve is recommended for line pressures exceeding 85 PSI.

Calculation Example:

Cold water branch (less than 20')

2 water closets @ 10 fixture units ea. = 20 fixture units

2 lavatories @ 1-1/2 fixture units ea. = 3 fixture units

Total fixture units = 23

Select PDI Size B Water Hammer Arrestor

Sizing & Placement

Fixture	Type Of Supply Control	Fixture Unit Weight			
		Public		Private	
		Cold	Hot	Cold	Hot
Water Closet	Flush Valve	10	-	6	-
Water Closet	Flush Tank	5	-	3	-
Pedestal Urinal	Flush Valve	10	-	-	-
Stall or Wall Urinal	Flush Valve	5	-	-	-
Stall or Wall Urinal	Flush Tank	3	-	-	-
Lavatory		1-1/2	1 1/2	1	1
Bathtub		2	3	1 1/2	1 1/2
Shower Head		2	-	1	2
Bathroom Group		-	-	8	3
Bathroom Group		-	-	6	3
Separate Shower		-	-	1	2
Service Sink		3	3	-	-
Laundry Tubs (1-3)		-	-	3	3
Combination Fixture		-	-	3	3

Specialties

Water Hammer Arrestors

Sizing & Placement

Table 2

Fixture Unit Weight	1-11	12-32	33-60	61-113	114-154	155-330
PDI Symbol	A	B	C	D	E	F
Watts LF15M2-DR Series	LF15M2-A-DR	LF15M2-B-DR	LF15M2-D-DR	LF15M2-D-DR	LF15M2-E-DR	LF15M2-F-DR
Watts SS Series	SS-A	SS-B	SS-C	SS-D	SS-E	SS-F

Table 3

Length of Pipe	Nominal Pipe Size					
	1/2"	3/4"	1"	1-1/4"	1-1/2"	2"
25'	A	A	B	C	D	E
50'	A	C	C	D	E	F
75'	B	C	D	A + E	F	E + F
100'	C	D	E	F	C + F	2-F
125'	C	D	F	A + F	E + F	E + 2-F
150'	D	E	F	D + F	2-F	3-F

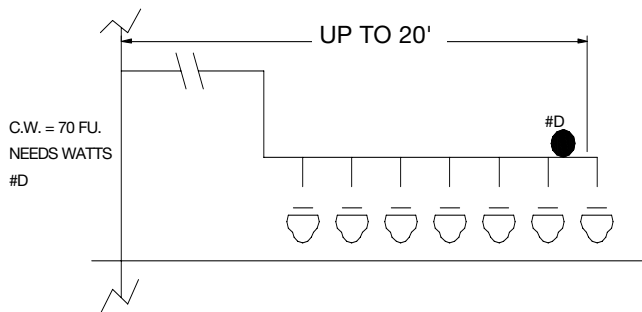


Figure A

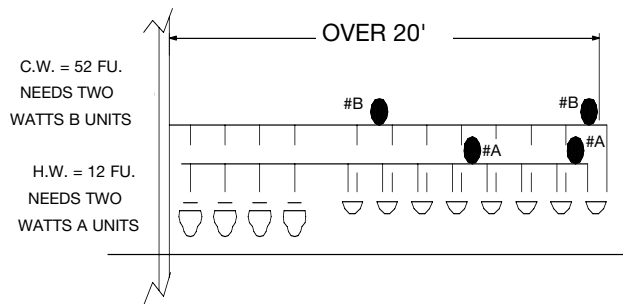


Figure B

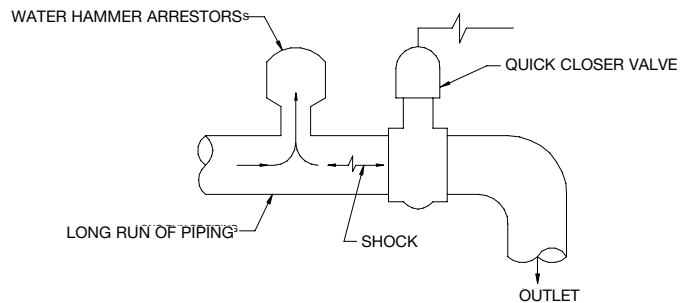


Figure C

Consult factory for all pricing and applications outside of listed parameters.

Prices do not include applicable taxes.



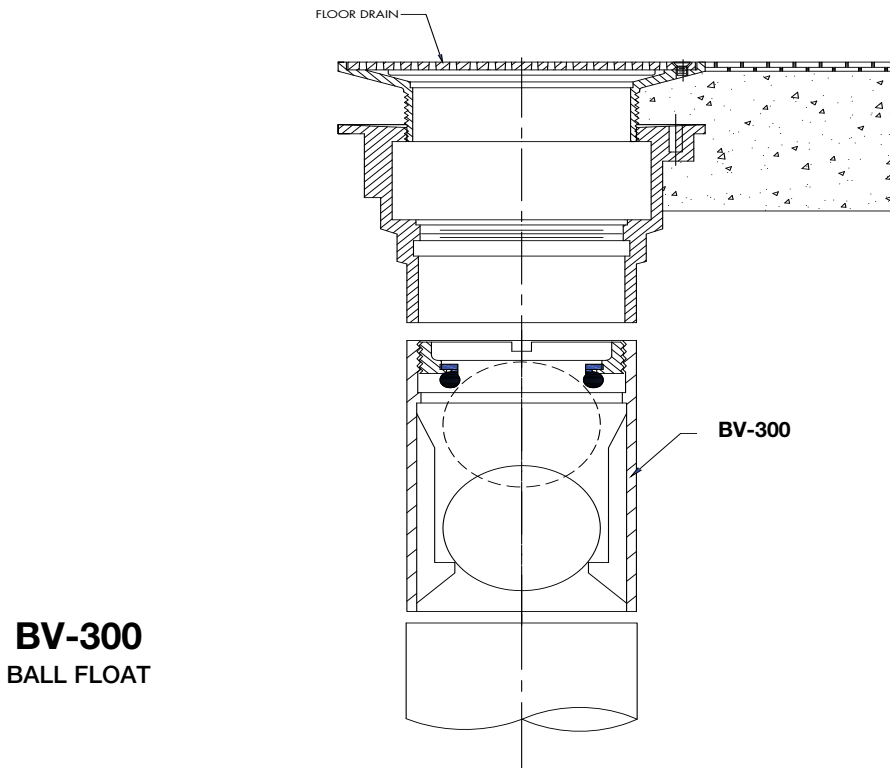
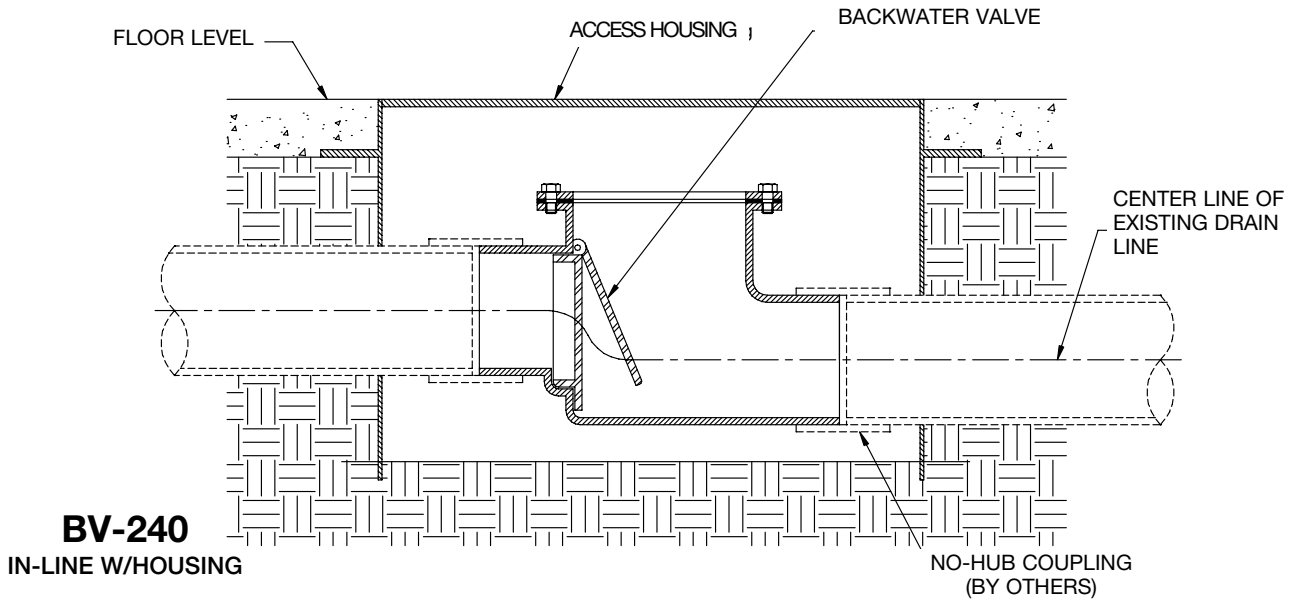
Specialties

Backwater Valves

Watts backwater valves should be specified for gravity flow only, and not used in pressurized applications.

Flapper type backwater valves are specified in gravity flow (non-pressure) applications to restrict backflow from excessive rainfall, tidewater, or other drainage conditions. The bronze flapper valve should be periodically inspected and kept free of debris or other obstruction to assure proper functioning.

Typical Installations



Specialties

Trap Primers

Compliance

Watts LFTP300-DR trap primers are tested and approved in conformance with ASSE Standard 1018.

Pressure & Flow Characteristics

Minimum supply pressure: 25 PSI
Maximum supply pressure: 125 PSI

FLOW CHART

INLET PRESSURE	25	50	75	100	125
*GPM	1.1	1.6	2.0	2.3	2.4
*LPM	4.2	6.1	7.6	8.7	9.1

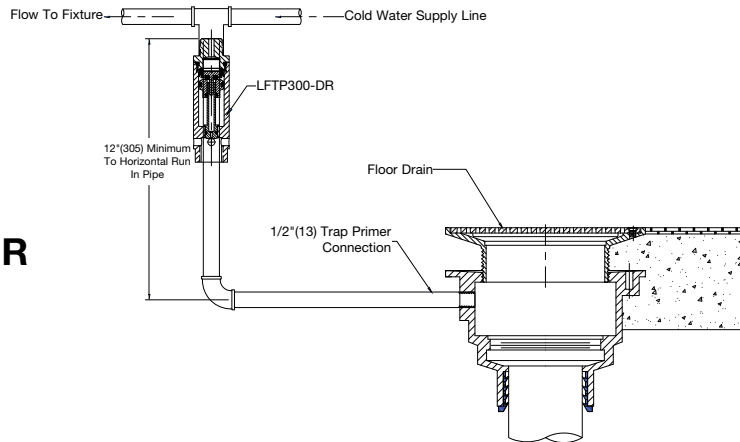
* Minimum cold flow required for proper trap priming.

Distribution Unit

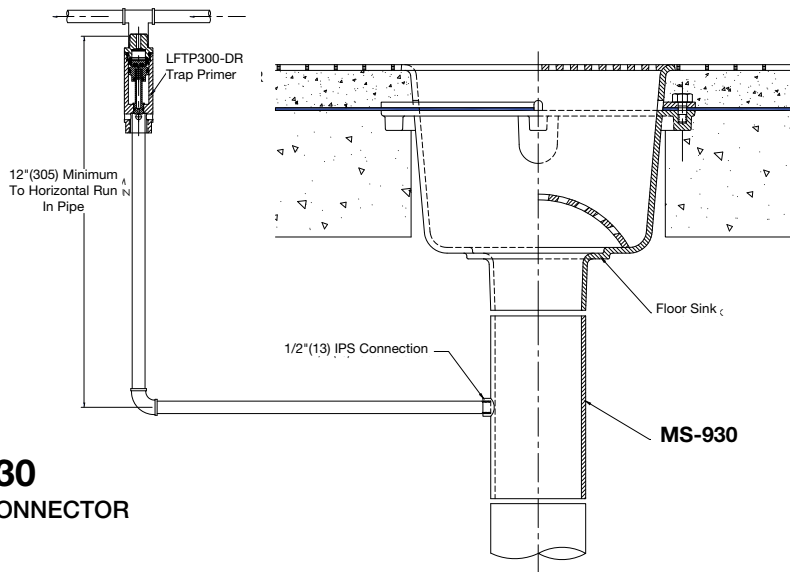
Watts model LFTP300-DU-DR Distribution Unit enables connection to up to four traps with a single trap primer.

Typical Installations

LFTP300-DR
TRAP PRIMER



MS-930
TRAP PRIMER CONNECTOR



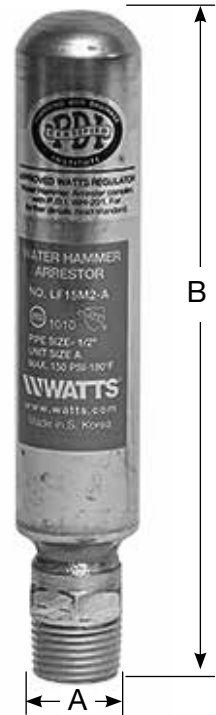
Consult factory for all pricing and applications outside of listed parameters.
Prices do not include applicable taxes.



Water Hammer Arrestors

LF15M2-DR Series Copper Water Hammer Arrestors

Model Number	EDP#	PDI Size	List Price
LF15M2-A-DR	8188366	A	\$285.50
LF15M2-B-DR	8188367	B	544.50
LF15M2-C-DR	8188368	C	857.00
LF15M2-D-DR	8188369	D	1,811.00
LF15M2-E-DR	8188370	E	2,252.00
LF15M2-F-DR	8188371	F	2,679.00



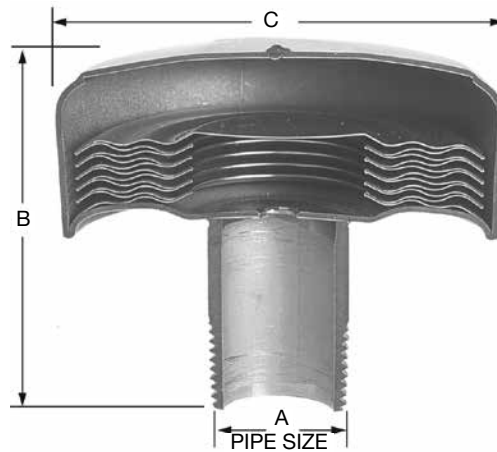
Technical Data							
Model No.	Connection Threaded	Dimensions				PDI Size	Fixture Units
		A		B			
		In.	MM	In.	MM		
LF15M2-A-DR	1/2"	1 1/8"	28.5	5 15/16"	150.9	A	1-11
LF15M2-B-DR	3/4"	1 3/8"	34.9	8 9/16"	218.0	B	12-32
LF15M2-C-DR	1"	1 5/8"	41.3	8 13/16"	223.5	C	33-60
LF15M2-D-DR	1"	2 1/8"	54.0	9 15/16"	252.5	D	61-113
LF15M2-E-DR	1"	2 1/8"	54.0	12 11/16"	322.5	E	114-154
LF15M2-F-DR	1"	2 5/8"	66.7	11 5/32"	283.5	F	155-330

SS Series Stainless Steel Shock Arrestors

Model Number	EDP#	PDI SIZE	Conn. Size	Height	List Price
SS-AA	8201139	A	3/4"	3 1/4"	\$889.50
SS-BB	8201140	B	1"	4 1/4"	1,812.00
SS-CC	8201141	C	1"	5 3/4"	2,706.00
SS-DD	8201142	D	1"	6 1/2"	6,773.00
SS-EE	8201143	E	1"	6 3/4"	7,647.00



Stainless Steel Series



Technical Data						
	SS-A	SS-B	SS-C	SS-D	SS-E	SS-F
Fixture Unit	1-11	12-32	33-60	61-113	114-154	155-330
"A" Connection	3/4"(19)	1"(25)	1"(25)	1"(25)	1"(25)	1"(25)
"B" Height	3-3/16"(81)	4"(102)	4-5/16"(110)	5-1/4"(133)	7"(178)	7"(178)
"C" Diameter	3-1/4"(83)	3-1/4"(83)	3-1/4"(83)	3-1/4"(83)	3-1/4"(83)	3-1/4"(83)
PDI Size	A	B	C	D	E	F

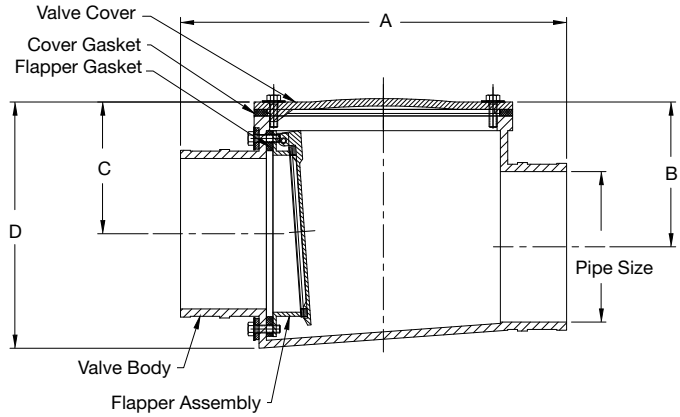
WATTS® Consult factory for all pricing and applications outside of listed parameters. Prices do not include applicable taxes.

Backwater Valves

BV-200

Cast Iron In-Line Backwater Valve

Model Number	EDP#	Wt. Lbs.	Size	List Price
BV-203	8132724	16	3"	\$3,294.00
BV-204	8132727	22	4"	4,050.00
BV-206	8132731	30	6"	5,813.00



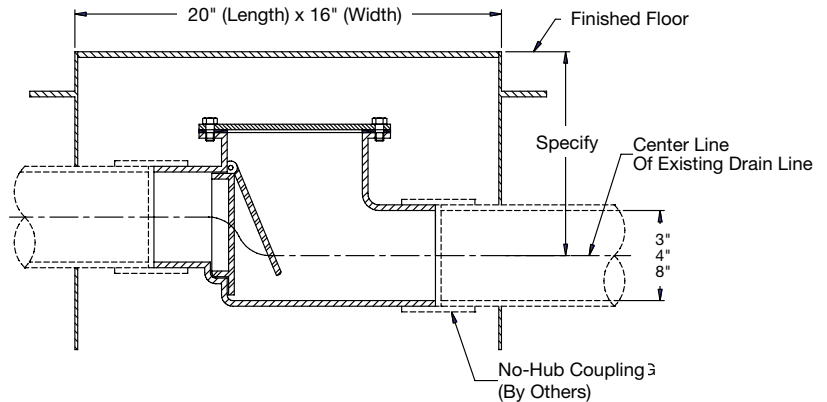
Pipe Size	A	B	C	D
3"(76)	11-5/8"(294)	4-3/16"(107)	3-3/4"(94)	6-1/2"(165)
4"(102)	12"(305)	4-3/8"(110)	3-7/8"	7-1/4"(184)
6"(152)	14-3/4"(375)	5-1/2"(140)	5"(127)	9-3/8"(238)

BV-240

In-Line Backwater Valve with Access Housing

Model Number	Wt. Lbs.	Size	List Price
BV-243	16	3"	\$7,086.00
BV-244	22	4"	7,846.00
BV-246	30	6"	9,606.00

Note: Epoxy-coated Steel Access Housing



Options for BV-240

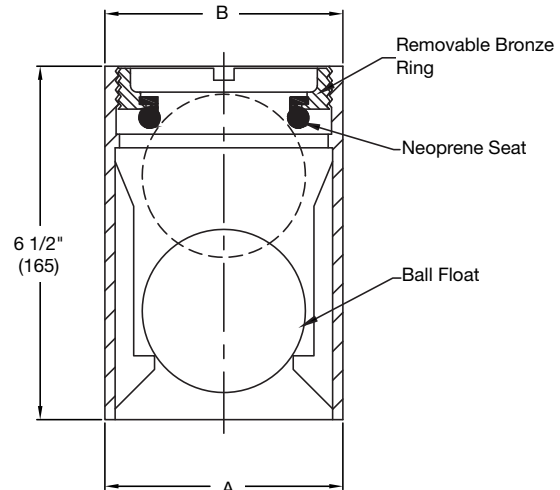
Suffix	Description	List Price
-HD	Heavy Duty Traffic Cover	\$8,355.00

BV-300

Ball Float Backwater Valve

Model Number	EDP#	Wt. Lbs.	Size	List Price
BV-302	8187804	5	3"x2"	\$612.00
BV-303	8187805	5	3"	612.00
BV-304	8187806	5	4"	612.00

Size	A	B
2"(51)	2 11/32"(59)	3 3/8"(86)
3"(76)	3 3/8"(86)	3 3/8"(86)
4"(102)	4 3/8"(111)	4 3/8"(111)



Consult factory for all pricing and applications outside of listed parameters.

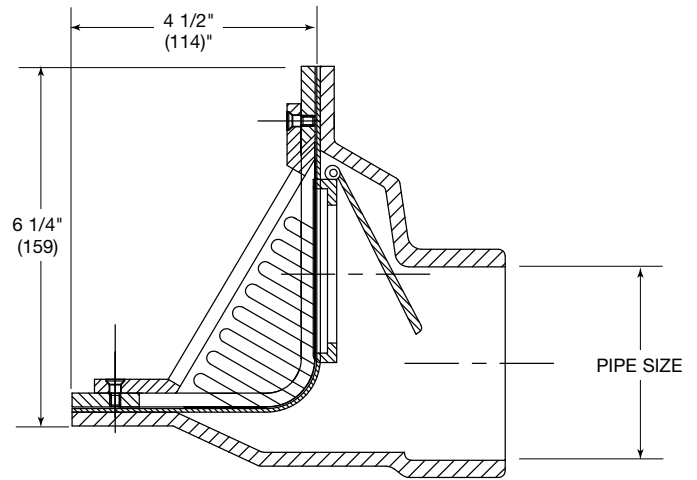
Prices do not include applicable taxes.



Backwater Valves/Trap Primers

BV-600 Pit Drain with Backwater Valve

Model Number	Wt. Lbs.	Size	List Price
BV-602,3,4	40	2,3,4"	\$2,966.00



Options for BV-600

Suffix	Description	List Price
-1	Nickel Bronze Grate & Frame	\$1,400.00
-6	Vandal Proof Grate	239.00

LFTP300-DR Trap Primer & Distribution Unit

Model Number	EDP#	Wt. Lbs.	Size	List Price
LFTP300T-DR	8188354	1	1/2"	\$437.00
LFTP300S-DR	8188353	1	1/2"	437.00
LFTP300-DU-DR	8188355	1	1/2"	307.50



Model LFTP300S-DR



Model LFTP300T-DR

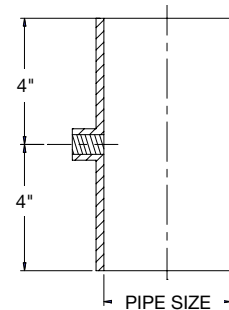


Model LFTP300-DU-DR

Miscellaneous Specialties

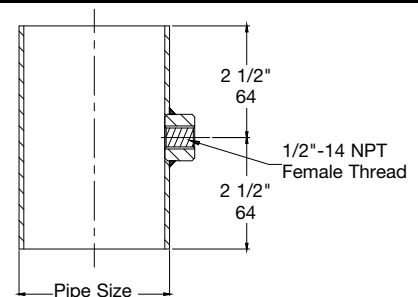
MS-930 Trap Primer Adaptor

Model Number	EDP#	Size	Material	List Price
MS-932, 3, 4	8143303	2, 3, 4"	cast iron	\$311.50



MS-940-SS Stainless Steel Trap Primer Adaptor

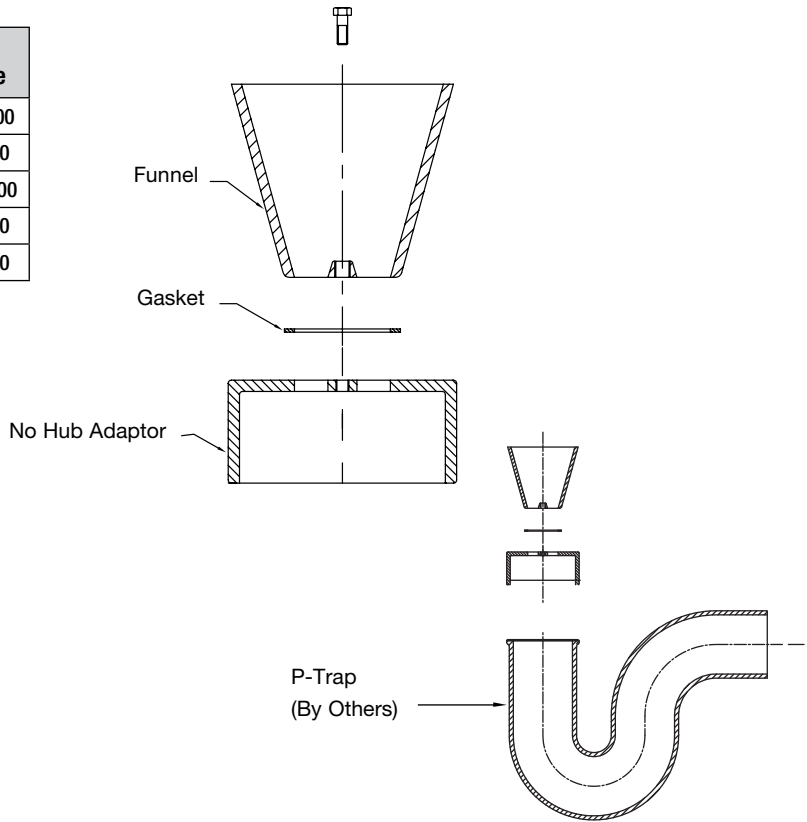
Model Number	EDP#	Size	Material	List Price
MS-942, 3, 4	8189052	2, 3, 4"	stainless steel	\$587.50



Miscellaneous Specialties

MS-950 Funnel/Trap Adaptor

Model Number	Size	Funnel	List Price
MS-952,3-F4-50	2, 3"	4" Cast Iron	\$476.00
MS-952,3-F4-1	2, 3"	4" Nickel Bronze	877.00
MS-952,3-F6-1	2, 3"	6" Nickel Bronze	1,197.00
MS-952,3-G-50	2, 3"	4x9" Cast Iron	869.50
MS-952,3-G-1	2, 3"	4x9" Nickel Bronze	869.50



Typical Installation

Options for MS-950:

Suffix	Description	List Price
-8	Ball Flat Backwater Valve	\$611.50

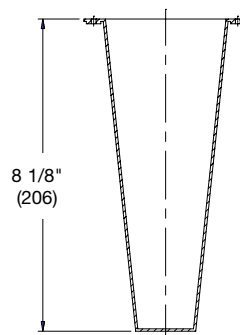
MS-8000 Fresh Air Inlet

Model Number	EDP#	Size	Material	Wt., Lbs.	List Price
MS-8034	8186273	3" to 4"	Nickel Bronze	3	\$978.50
MS-8056	8186274	5" to 6"	Nickel Bronze	4	1,682.00



PS Series Plastic Pipe Sleeves

Model Number	EDP#	Size	Taper Degree	Carton Qty.	List Price
PS-0151	8143770	1-1/2"	3	336	\$16.50
PS-021	8143771	2"	3	280	20.00
PS-033	8143773	3"	3	168	22.25
PS-043	8143775	4"	3	96	32.00
PS-053	8143777	5"	3	72	34.50
PS-063	8143779	6"	3	40	40.50
PS-083	8143780	8"	3	n/a	67.50
PS-101	8143781	10"	3	n/a	87.75
PS-121	8143782	12"	3	n/a	142.00



Consult factory for all pricing and applications outside of listed parameters.

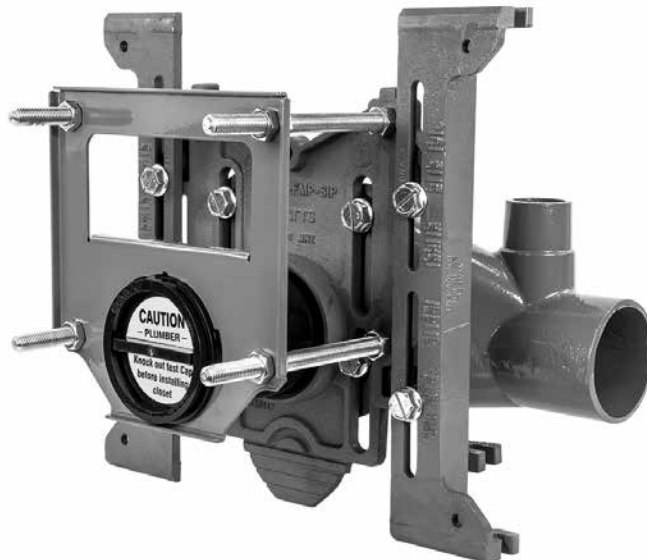
Prices do not include applicable taxes.



Fixture Carriers

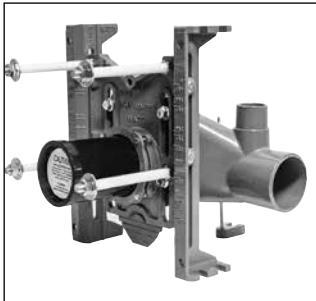
Table Of Contents

- Pictorial Index
- Recommendations
- Water Closet Carriers
 - Compression Seal Closet Carriers
 - QT QuickTurn™ Closet Carriers
 - Matching Water Closet & Carrier
 - Carrier Selection & Battery Set-Up
 - Stud & Nipple Adjustment
 - Floor Anchoring
 - Thin Wall Carriers
 - Commonly Specified Options
- Wall Hung Fixture Carriers
 - Lavatory Carriers
 - Urinal & Water Cooler Carriers
 - Service Sink Carriers

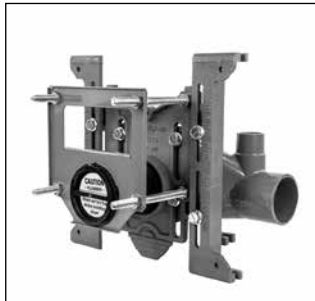


Fixture Carriers

Pictorial Index



ISCA-101-L/R
Single Horizontal
Compression Seal



QT-101-L/R
Single Horizontal
QuickTurn™



ISCA-101-L/R-AUX
Single Horizontal w/Aux. Inlet
Compression Seal



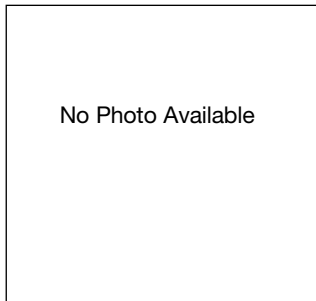
QT-101-L/R-AUX
Single Horizontal w/Aux. Inlet
QuickTurn™



ISCA-101-L/R-BF
Single Horizontal Floor Mounted
Back Outlet - Compression Seal



QT-101-L/R-BF
Single Horiz. Floor Mounted Back
Outlet - QuickTurn™



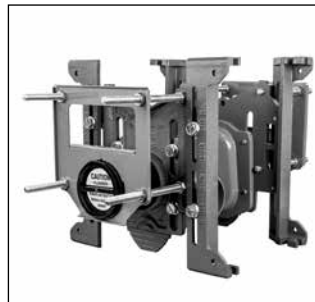
ISCA-101-L/R-TAS
Single Horiz. for 4" Rough-In
Compression Seal



QT-101-L/R-TAS
Single Horiz. for 4" Rough-In
QuickTurn™



ISCA-101-D
Back-to-Back Horizontal
Compression Seal



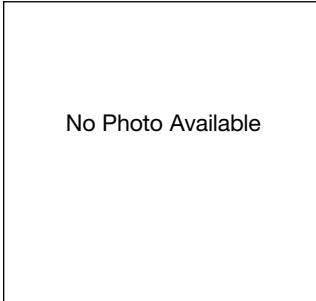
QT-101-D
Back-to-Back Horizontal
QuickTurn™



ISCA-101-D-BF
Back-to-Back Horiz. Floor Mounted
Back Outlet - Compression Seal



QT-101-D-BF
Back-to-Back Horiz. Floor Mounted
Back Outlet - QuickTurn™



ISCA-101-D-TAS
Back-to-Back Horiz. for 4"
Rough-In Compression Seal



QT-101-D-TAS
Back-to-Back Horiz. for 4"
Rough-In QuickTurn™



ISCA-121
Single Vertical
Compression Seal



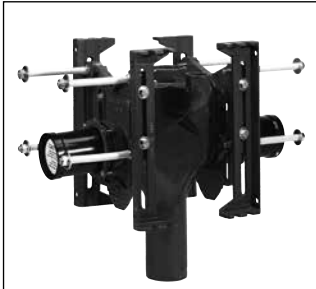
QT-121
Single Vertical
QuickTurn™

Consult factory for all pricing and applications outside of listed parameters.
Prices do not include applicable taxes.

WATTS®

Fixture Carriers

Pictorial Index



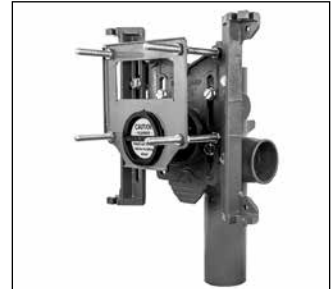
ISCA-121-D
Back-to-Back Vertical
Compression Seal



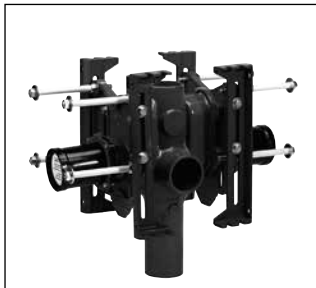
QT-121-D
QT QuickTurn™ Back-to-Back
Vertical Adj. Closet Carrier



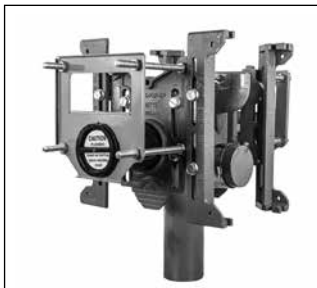
ISCA-131
Single Vertical w/Side Inlet(s)
Compression Seal



QT-131
Single Vertical w/Side Inlet(s)
QuickTurn™



ISCA-131-D
Back-to-Back Vertical w/Side
Inlet(s) - Compression Seal



QT-131-D
Back-to-Back Vertical w/Side
Inlet(s) - QuickTurn™



ISCA-141
Single Thin Wall Vertical
Compression Seal



QT-141
Single Thin Wall Vertical
QuickTurn™



ISCA-141-4-D
Back-to-Back Thin Wall
Vertical - Compression Seal



QT-141-4-D
Back-to-Back Thin Wall
Vertical - QuickTurn™



ISCA-151-L/R
Single Offset Thin Wall Vertical
Compression Seal



QT-151-L/R
Single Offset Thin Wall Vertical
QuickTurn™



ISCA-151-D
Back-to-Back Offset Thin Wall
Vertical - Compression Seal



QT-151-D
Back-to-Back Offset Thin Wall
Vertical - QuickTurn™



QT-161-L/R
Single Thin Wall Horizontal
QuickTurn™

Fixture Carriers

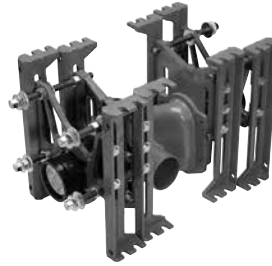
Pictorial Index



ISCA-102-L/R
1000 lb. Single Horizontal
Compression Seal



QT-102-L/R
1000 lb. Single Horizontal
QuickTurn™



ISCA-102-D
1000 lb. Back-to-Back
Horizontal - Compression Seal



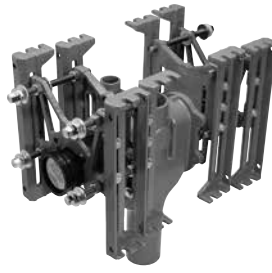
QT-102-D
1000 lb. Back-to-Back
Horizontal - QuickTurn™



ISCA-122
1000 lb. Single Vertical
Compression Seal



QT-122
1000 lb. Single Vertical
QuickTurn™



ISCA-122-D
1000 lb. Back-to-Back
Vertical - Compression Seal



QT-122-D
1000 lb. Back-to-Back
Vertical - QuickTurn™



ISCA-132
1000 lb. Single Vertical w/Side
Inlet(s) - Compression Seal



QT-132
1000 lb. Single Vertical w/Side
Inlet(s) - QuickTurn™



ISCA-132-D
1000 lb. Back-to-Back Vertical w/
Side Inlet(s) - Compression Seal



QT-132-D
1000 lb. Back-to-Back Vertical w/
Side Inlet(s) - QuickTurn™



ISCA-103-L/R
750 lb. Single Horizontal
Compression Seal



QT-103-L/R
750 lb. Single Horizontal -
QuickTurn™



ISCA-103-D
750 lb. Back-to-Back
Horizontal - Compression Seal



QT-103-D
750 lb. Back-to-Back Horizontal
- QuickTurn™

Consult factory for all pricing and applications outside of listed parameters.

Prices do not include applicable taxes.



Fixture Carriers

Pictorial Index



ISCA-123
750 lb. Single Vertical
Compression Seal



QT-123
750 lb. Single Vertical
QuickTurn™



ISCA-123-D
750 lb. Back-to-Back Vertical
Compression Seal



QT-123-D
750 lb. Back-to-Back Vertical
QuickTurn™



ISCA-133
750 lb. Single Vertical w/Side
Inlet(s) - Compression Seal



QT-133
750 lb. Single Vertical w/Side
Inlet(s) - QuickTurn™



ISCA-133-D
750 lb. Back-to-Back Vertical w/
Side Inlet(s) - Compression Seal



QT-133-D
750 lb. Back-to-Back Vertical w/Side
Inlet(s) - QuickTurn™



CA-100-EXT
Water Closet Auxiliary Support
Compression Seal



QT-100-EXT
Water Closet Auxiliary Support
QuickTurn™

Fixture Carriers

Pictorial Index



TCA-411/TCA-411-WC
Concealed Arm "Track"
Lavatory Carrier



WCA-411/WCA-411-WC
Concealed Arm Lavatory
Carrier



TCA-411-D/TCA-411-D-WC
Back-to-Back Concealed Arm
"Track" Lavatory Carrier



WCA-411-D/WCA-411-D-WC
Back-to-Back Concealed Arm
Lavatory Carrier



TCA-411-2/3/4
Extended Concealed Arm
"Track" Lavatory Carrier



CA-311
Urinal Carrier



CA-321
Urinal Carrier w/Bearing Plate



CA-401
Exposed Arm Lavatory Carrier



CA-421
Plate Type Lavatory/Water
Cooler Carrier



CA-431-1
Bi-Level Water Cooler Carrier



TCA-440/TCA-450
Wall Mounted Concealed Arm
"Track" Lavatory Carrier



CA-461
Wall Mounted Concealed Arm
Lavatory Carrier



CA-462
Wall Mounted Concealed Arm
Lavatory Carrier



CA-481
Wall Plate



ISCA-550
3-Bolt Service Sink Carrier



ISCA-560
4-Bolt Service Sink Carrier

Consult factory for all pricing and applications outside of listed parameters.
Prices do not include applicable taxes.

WATTS®

Fixture Carriers

Pictorial Index



TCA-411-WLA
FM Concealed Arm Lavatory
Carrier w/Waste Line Access



WCA-411-WLA
FM Concealed Arm Lavatory
Carrier w/Waste Line Access



TCA-411-D-WLA
Back-to-Back Concealed Arm
Lav. Carrier w/Waste Line Access



WCA-411-D-WLA
Back-to-Back Concealed Arm
Lav. Carrier w/Waste Line Access

Fixture Carriers

Recommendations

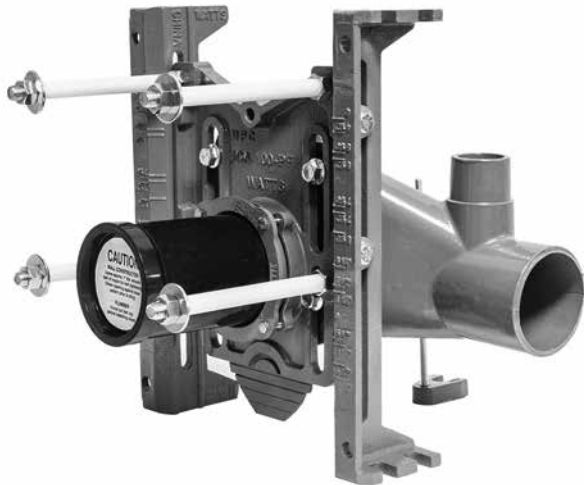
Application	Product
Water closet standard 500 lb.....	ISCA/QT-101, ISCA/QT-121, ISCA/QT-131 Series
Water closet 750 lb.....	ISCA/QT-103, ISCA/QT-123, ISCA/QT-133 Series
Water closet bariatric 1000 lb.....	ISCA/QT-102, ISCA/QT-122, ISCA/QT-132 Series
Water closet/urinal back-to-back.....	ISCA/QT-101-L/R-AUX
Water closet thin wall horizontal.....	QT-161 Series
Water closet thin wall vertical.....	ISCA/QT-141, ISCA/QT-151 Series
Lavatory concealed arm - block wall.....	TCA-411, TCA-411-WC
Lavatory concealed arm - stud wall.....	WCA-411, WCA-411-WC
Lavatory exposed arm.....	CA-401
Urinals.....	CA-311, CA-321
Water coolers, drinking fountains.....	CA-421, CA-431-1
Service sinks.....	ISCA-550, ISCA-560

Water Closet Carriers

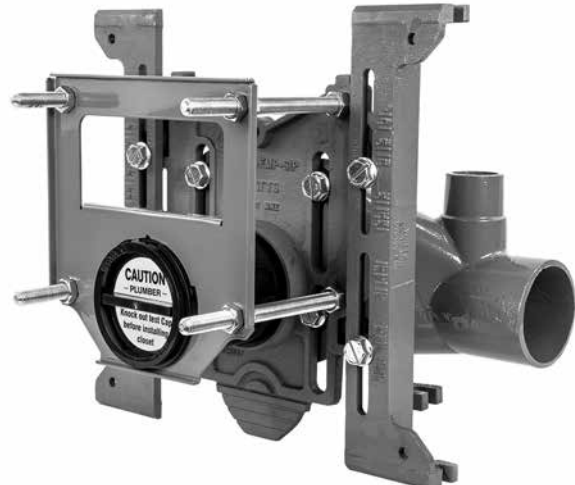
Water Closet Carriers support wall hung "off the floor" water closets. Carriers anchor to the structural floor behind the finished wall, supporting the fixture independent of the wall structure. Watts unique *Industry Standard* and QT QuickTurn™ closet carriers provide exceptional benefits for both pre-fabrication and jobsite installation.

Industry Standard Closet Carriers feature a patented 4-bolt mechanical compression seal nipple. The positive nipple seal holds test without additional sealants, reducing test expenses and eliminating the potential for costly behind the wall leaks.

QT QuickTurn™ Closet Carriers are designed with an exclusive wall plate and locking nipple that can be fully adjusted from outside the finished wall. Designed specifically for pre-fabrication, QT Carriers promote pre-fab assembly speed and jobsite reliability.



Industry Standard Compression Seal Carrier



QT QuickTurn™ Carrier

Consult factory for all pricing and applications outside of listed parameters.

Prices do not include applicable taxes.



Fixture Carriers

Recommendations

Matching Closet & Carrier

Watts carriers can be installed with any commercial 4-bolt (siphon jet) water closet. *Industry Standard* faceplates can be inverted to accommodate 3-bolt (blow-out) fixtures.

Standard Watts closet carriers are tested and third party certified to 500 lb. load rating per AMSE Standard A112.6.1M. Bariatric or other heavy use applications may require 750 lb. and 1000 lb. carriers. Note 750 lb. and 1000 lb. carriers have different wall spacing requirements and a smaller range of adjustment than standard carriers. Special wall construction design and accommodations may be required.

Carrier Selection & Battery Set-Up

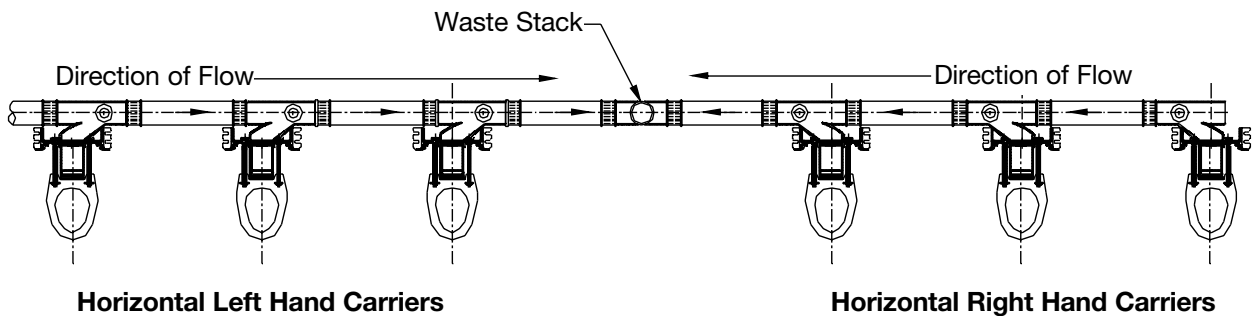
Closet carriers are often installed in groups (batteries) to accommodate multiple fixture and back-to-back bathroom groups. These factors should be considered in the specification of carrier batteries:

1. Location of the waste stack

A waste stack may be located directly behind a water closet, at a midpoint, or at the end of a carrier battery. The position of the stack determines which specific carriers are required, as all waste flows towards the stack.

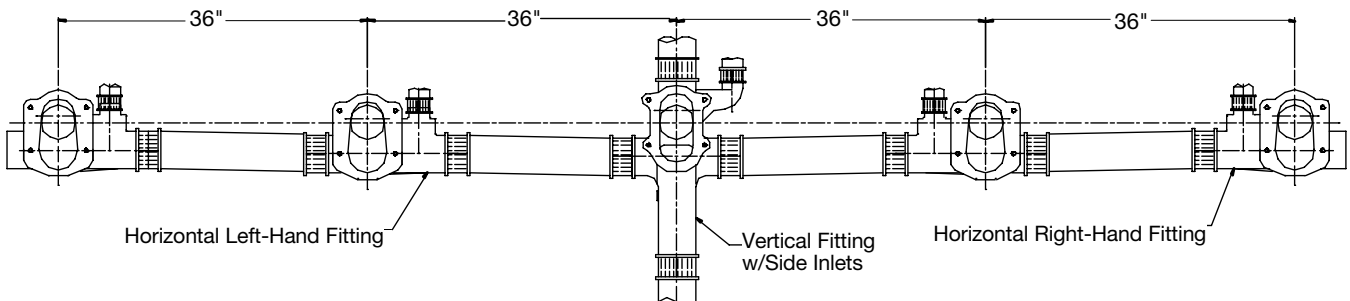
2. Horizontal carrier direction

Single horizontal carriers are specified either left hand or right hand (L or R), depending on the direction of flow. To determine L or R, with your back to the wall, point in the direction of flow. If the flow is to the left, a left hand carrier is required. Back-to-back horizontal carriers are reversible, and do not require a flow direction specification.



3.) Vertical carriers with side inlets (stack fittings)

ISCA/QT-131/132/133 Series carriers are specified in batteries with a waste stack located directly behind one of the bowls. Watts vertical stack fittings are supplied with two open inlets and one no hub cap. The cap can be reversed to open a left or right hand side inlet, or discarded to leave both inlets open



Fixture Carriers

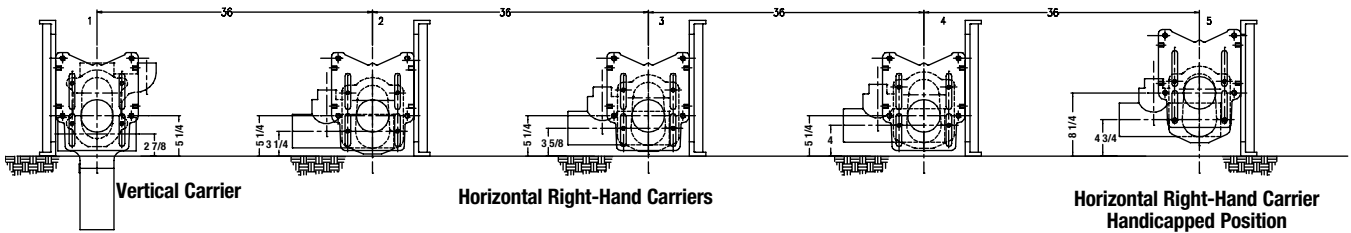
Recommendations

Carrier Selection & Battery Set-Up

4.) Battery pitch & rough-in requirements

Standard bowl installations are typically 15" from the floor to the rim of the bowl, and "Physically Handicapped" (ANSI A112.19.2) installations 18" to the rim of the bowl. Assuming standard rough-in specifications of 1/8" pitch on the horizontal waste line, and 36" between fixtures, batteries can typically be constructed with up to 9 fixtures, provided a stack fitting is used in the center position. Handicapped fixtures can be incorporated into the batteries, and should be placed at the high end of the fixture run. The table below indicates minimum and maximum horizontal waste line positions, dependent upon the specified rough-in height of the bowl outlet.

C/Bowl Outlet From Floor	Min. C/L Horiz. Waste from Floor	Max. C/L Horiz. Waste from Floor
4 1/2"(115)	3"(76)	4 1/2"(115)
5"(127)	3"(76)	5"(127)
5 1/2"(140)	3"(76)	5 1/2"(140)
6"(152)	3"(76)	6"(152)
6 1/2"(165)	3 1/4"(82)	6 1/2"(165)
7"(178)	3 5/8"(92)	7"(178)
7 1/2"(191)	4 1/8"(105)	7 1/2"(191)
8"(203)	4 5/8"(118)	8"(203)
8 1/2"(203)	5"(127)	8 1/2"(203)
9"(229)	5 3/8"(137)	9"(229)
9 3/8"(239)	5 3/4"(146)	9 3/8"(239)



Stud & Nipple Adjustment

Closet horn depths and flange thicknesses from different fixture manufacturers may vary slightly. The closet nipple is usually set 5/16" beyond the face of the finished wall to allow for sufficient closet gasket compression, and ensure a gas and water tight seal (Fig. 2). Carrier studs generally extend 2-1/4" beyond the finished wall, with the back-up nut set flush with the finished wall, and 1/16" back-up washer between the wall and the fixture. Three cap nuts must tighten fully to properly load the carrier (Fig. 3). The fourth cap nut is typically left hand-tight, to avoid stress on the bowl.

Note: *Watts adhesive backed neoprene closet gaskets do not require an additional sealant to form a proper seal.*

These formulas can be used to calculate exact nipple and stud positions:

Nipple Position: $A = B - 7/16"$
Where:
 A = distance nipple should extend beyond finished wall
 B = depth of closet horn

Stud Position: $X = Y + 5/8"$
Where:
 x = distance stud should extend beyond finished wall
 Y = thickness of fixture flange

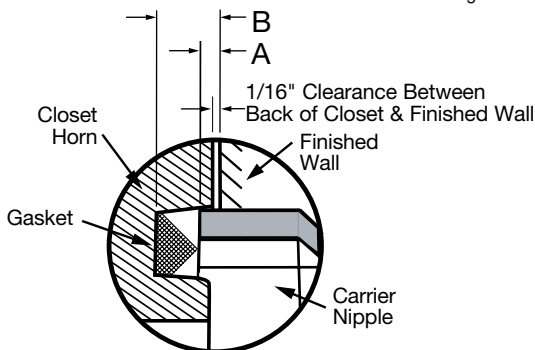


Figure 2

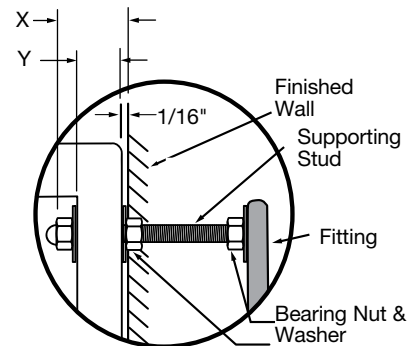


Figure 3

Consult factory for all pricing and applications outside of listed parameters.

Prices do not include applicable taxes.



Fixture Carriers

Recommendations

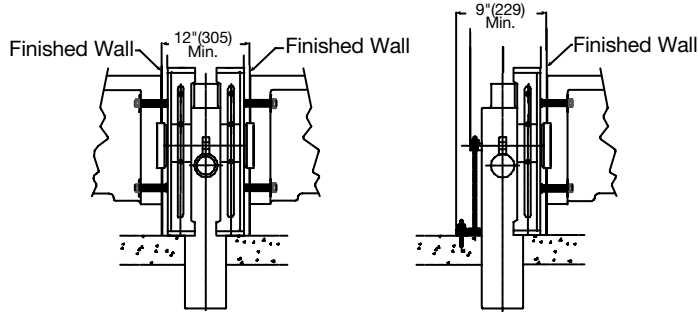
Floor Anchoring

Closet carriers must be securely anchored to the structural floor with min. 1/2" dia. anchor bolts (by others). Particular attention should be paid to the rear anchor support on single horizontal carriers, as unsecure rear anchors are the primary cause of rocking or excessive deflection at the bowl.

Watts closet carrier feet have dual anchor slots which eliminates the problem of single anchors conflicting with concrete support bars (rebar). For standard 500 lb. carriers, only one anchor bolt is required to secure each leg to the floor.

Thin Wall Vertical Carriers

ISCA/QT-141 & ISCA/QT-151 Series vertical carriers are specified in single or multiple story buildings with thin pipe chases. 141 series carriers vent directly off the top of the waste stack, and are generally used in single story installations. 151 series carriers have an offset fitting, and are commonly specified in multi-story and retrofit applications.



Commonly Specified Options

-BF Assembly for Back Outlet Bowl

Yoke assembly enables connection of carrier to a floor mounted back outlet bowl.

-CA-100-EXT (Auxiliary Support System)

Additional support at the finished wall for wide pipe chases, recommended when the 'X' dimension exceeds 16". Supplied standard with a 24" nipple (cut to size). Extended 5/8" support rods are supplied by others.

-HS Hub & Spigot Connections

Hub & spigot fitting and vent connections.

-M1 Extended Nipple

24" ABS nipple with integral test cap for installations in wide pipe chases. Can be cut to size.

-M11 Tiling Frame

Creates flat even surface at the finished wall for tile application.

-M16 Vandal Proof Cap Nuts

Cap nuts secured with Allen Head set screws to prevent hand removal.

-M20 Flush Valve Support

Copper support secures and aligns exposed flush valve supply pipe.

-QT-100-EXT (Auxiliary Support QT)

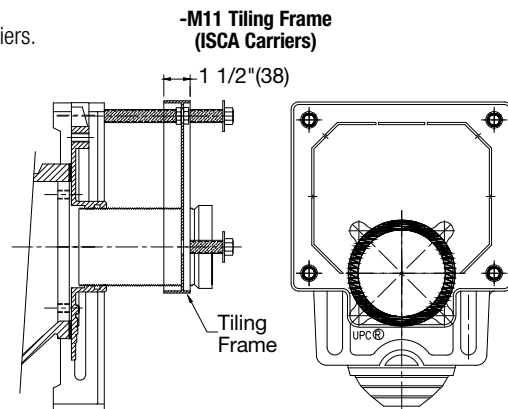
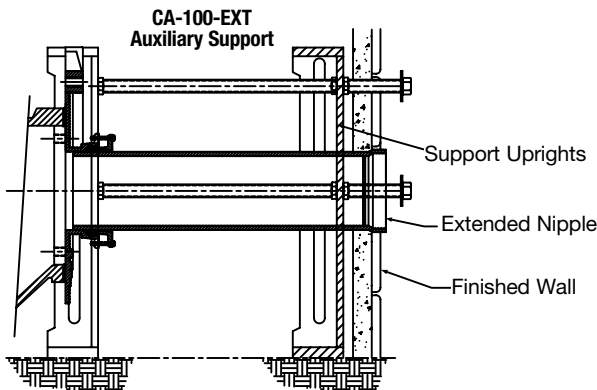
Additional support at the finished wall for wide pipe chases, recommended when the 'X' dimension exceeds 16". Supplied standard with a 24" nipple (cut to size). Extended 5/8" support rods are supplied by others.

-TAS Faceplate for 4" Rough-In

Enables bowl waste rough-in height 4" above finished floor. Specified in elementary schools, day-care centers, and other facilities serving young children.

-36 Long Barrel Horizontal Fitting

36" long fitting enables standard battery set-ups, without additional piping between carriers.



Consult factory for all pricing and applications outside of listed parameters.
Prices do not include applicable taxes.

Industry Standard Water Closet Carriers

ISCA-101 Horizontal Adjustable 500 lb. Closet Carrier

Model Number	Wt. Lbs.	Description	List Price
ISCA-101-L	77	Single Horizontal - Left Hand	\$2,614.00
ISCA-101-R	77	Single Horizontal - Right Hand	2,614.00
ISCA-101-L-AUX	77	Single Horizontal - LH - 2" Aux Conn.	3,253.00
ISCA-101-R-AUX	77	Single Horizontal - RH - 2" Aux Conn.	3,253.00
ISCA-101-D	135	Back-to-Back Horizontal	4,884.00



ISCA-101-L



ISCA-101-D

ISCA-121 Vertical Adjustable 500 lb. Closet Carrier

Model Number	Wt. Lbs.	Description	List Price
ISCA-121	97	Single Vertical	\$2,968.00
ISCA-121-D	160	Back-to-Back Vertical	5,238.00



ISCA-121



ISCA-121-D

ISCA-131 Vertical Adjustable 500 lb. Closet Carrier with Side Inlet(s)

Model Number	Wt. Lbs.	Description	List Price
ISCA-131	97	Single Vertical - w/Side Inlet(s)	\$3,468.00
ISCA-131-D	160	Back to Back Vertical - w/Side Inlet(s)	5,624.00



ISCA-131



ISCA-131-D

See Pg. 213 for options & parts for all ISCA & QT models.

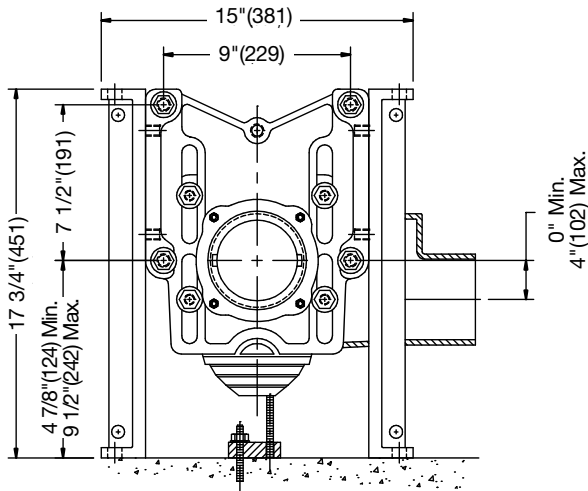
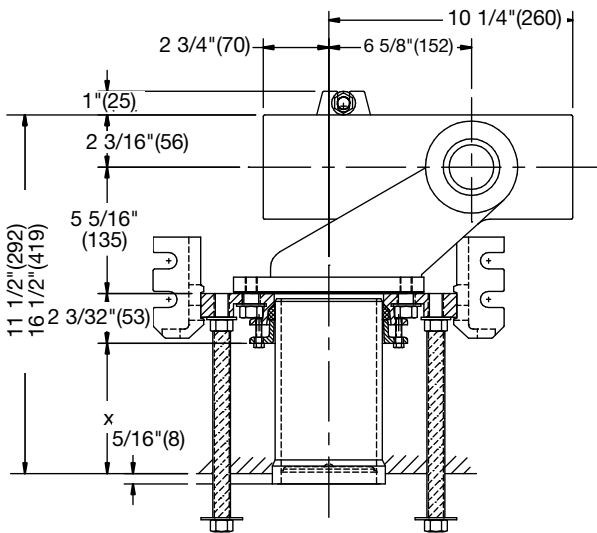
Consult factory for all pricing and applications outside of listed parameters.
Prices do not include applicable taxes.



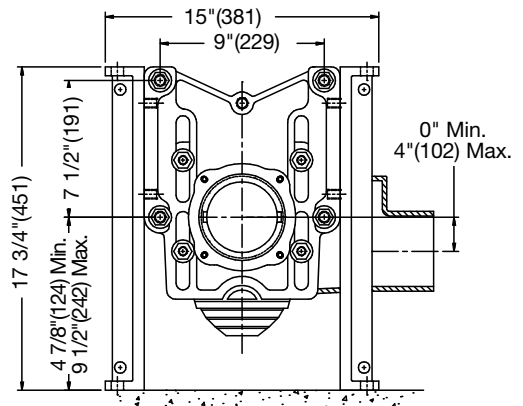
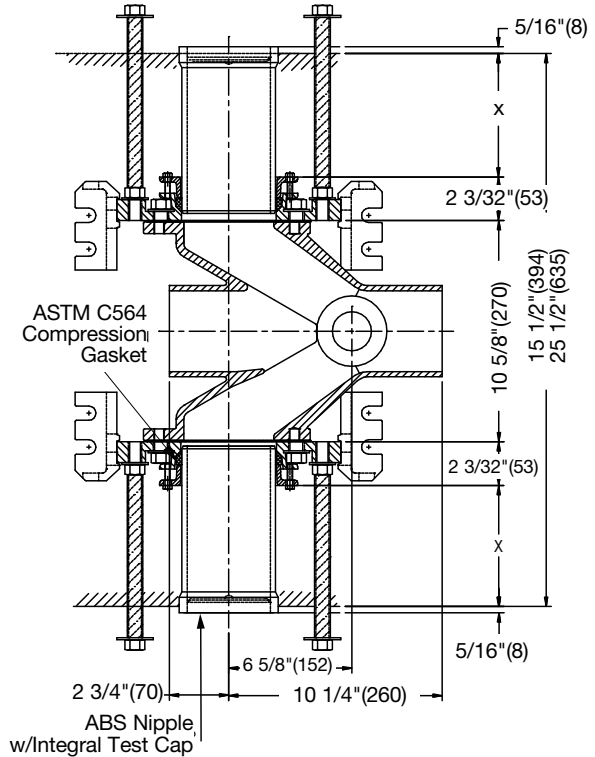
Industry Standard Water Closet Carriers

Water Closet Carrier Options & Parts

Suffix	Description	List Price	Suffix	Description	List Price
-3	3" Horizontal Fitting	-\$243.00	-M11	Tiling Frame - Single (ISCA)	\$120.00
-36	Horizontal Long Barrel (36")	759.50	-M16	Tiling Frame - Double (ISCA)	237.00
-BF	Assy. For Back Outlet Bowl	No Add	-M20	Vandal Proof Cap Nuts - Single	190.00
CA/QT-100-EXT	Auxiliary Support - Single	869.00	-M20	Vandal Proof Cap Nuts - Double	378.00
	Auxiliary Support - Double	1,737.00	-M23	Flush Valve Support - Single	128.50
-CI	8" Cast Iron Nipple	No Add	-M23	Flush Valve Support - Double	256.50
-HS	Hub & Spigot Connections	No Add	-M24	RH Side Inlet (141/151)	646.50
-CA-N8-50-QT	8" Cast Iron Nipple (QT)	262.50	-M24	LH Side Inlet (141/151)	646.50
-CA-N24-50-QT	24" Cast Iron Nipple (QT)	734.50	-TAS	Faceplate for 4" Rough-In	No Add
-M1	24" Nipple - Single	350.50			
	24" Nipple - Double	699.00			



ISCA-101-L/R

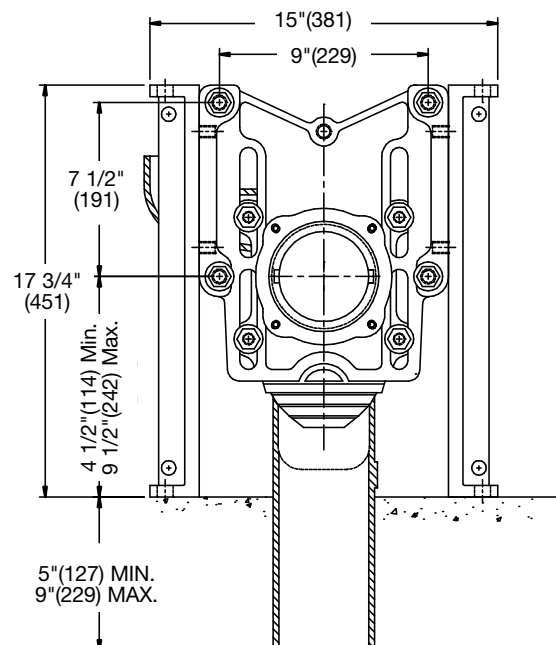
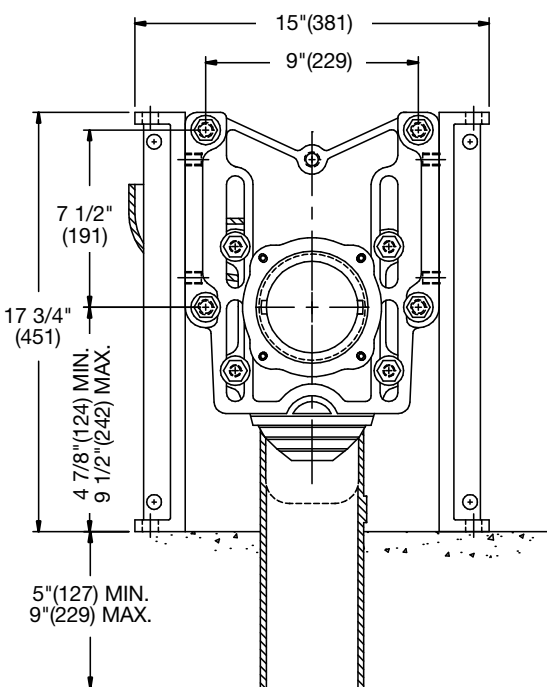
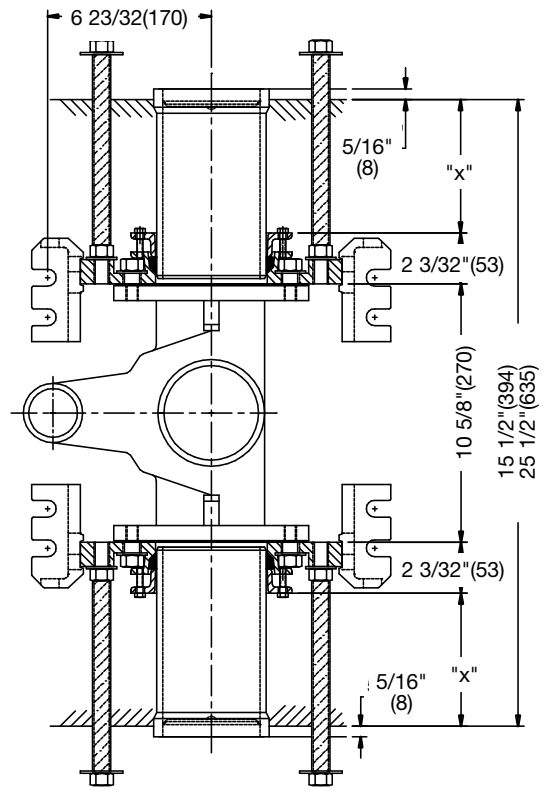
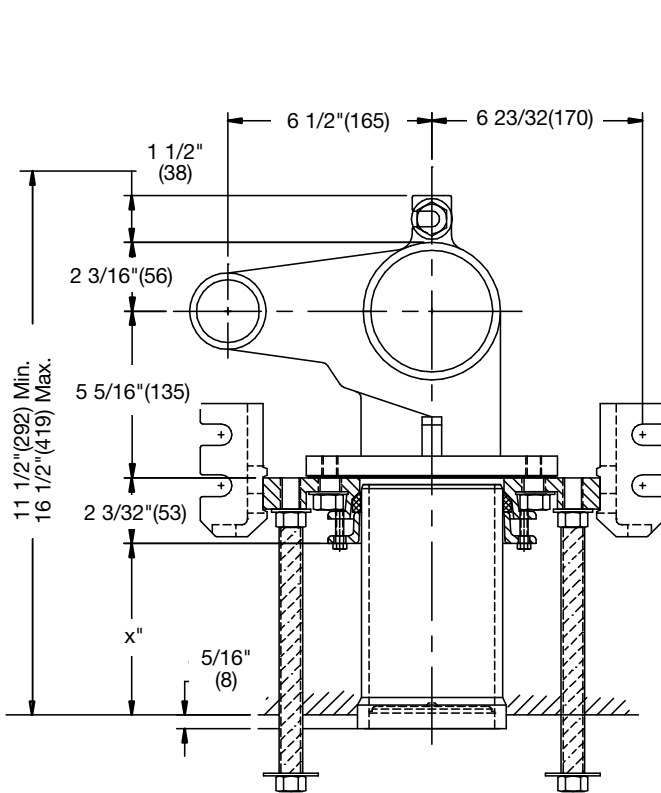


ISCA-101-D



Consult factory for all pricing and applications outside of listed parameters.
Prices do not include applicable taxes.

Industry Standard Water Closet Carriers



ISCA-121

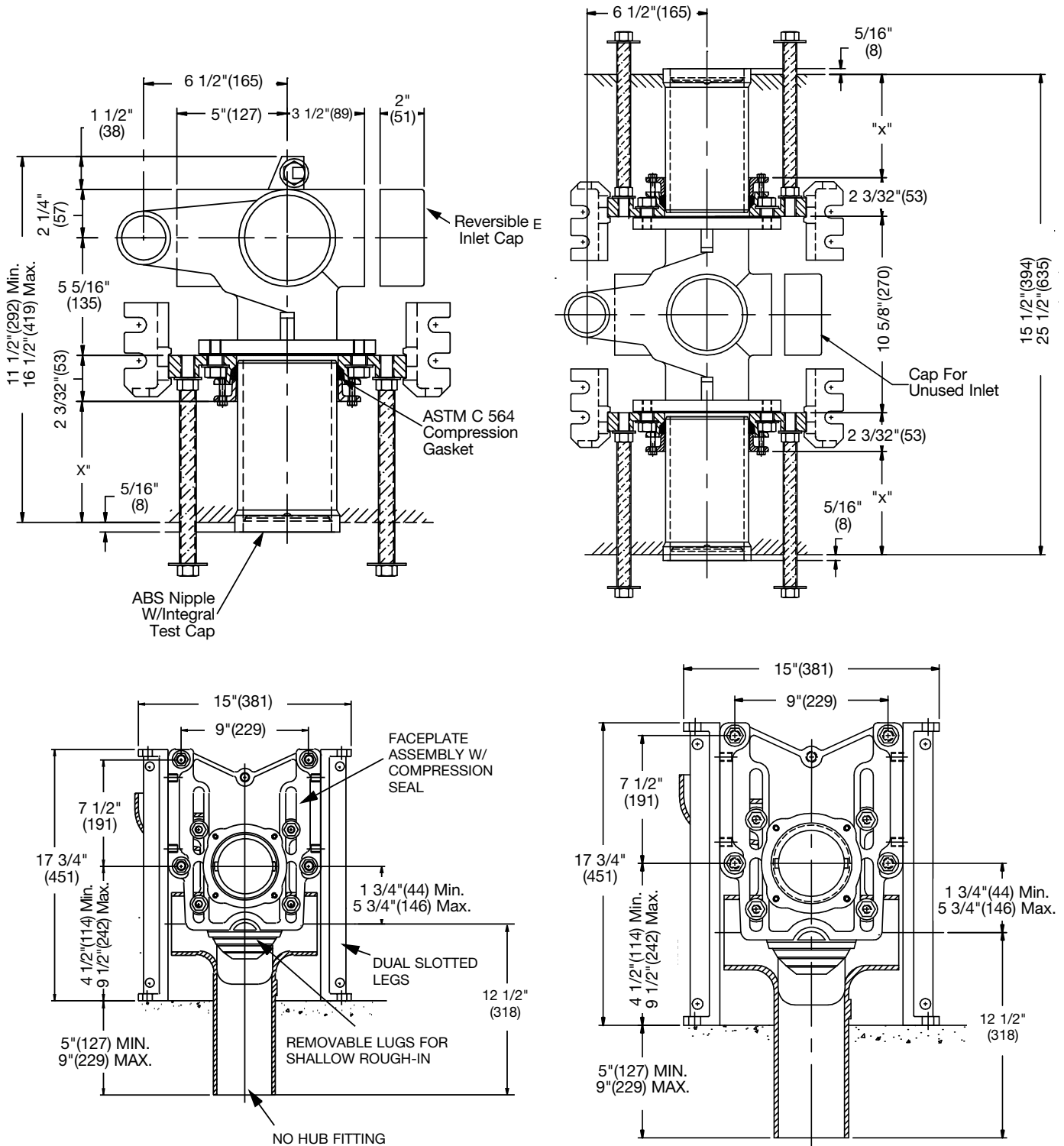
ISCA-121-D

Consult factory for all pricing and applications outside of listed parameters.

Prices do not include applicable taxes.



Industry Standard Water Closet Carriers



ISCA-131

ISCA-131-D

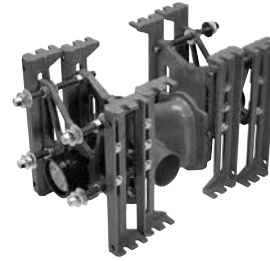
Industry Standard Water Closet Carriers

ISCA-102 Horizontal 1000 lb. Bariatric Closet Carrier

Model Number	Wt. Lbs.	Description	List Price
ISCA-102-L	108	Single Horizontal - Left Hand	\$7,502.00
ISCA-102-R	108	Single Horizontal - Right Hand	7,502.00
ISCA-102-D	186	Back-to-Back Horizontal	14,457.00



ISCA-102-L/R



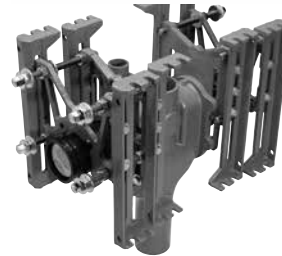
ISCA-102-D

ISCA-122 Vertical 1000 lb. Bariatric Closet Carrier

Model Number	Wt. Lbs.	Description	List Price
ISCA-122	117	Single Vertical	\$8,253.00
ISCA-122-D	195	Back to Back Vertical	15,905.00



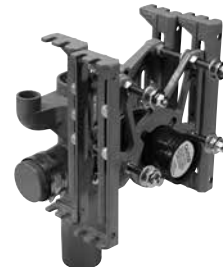
ISCA-122



ISCA-122-D

ISCA-132 Vertical 1000 lb. Bariatric Closet Carrier With Side Inlet(s)

Model Number	Wt. Lbs.	Description	List Price
ISCA-132	121	Single Vertical w/Side Inlet(s)	\$8,749.00
ISCA-132-D	199	Back to Back Vertical w/Side Inlet(s)	16,389.00



ISCA-132



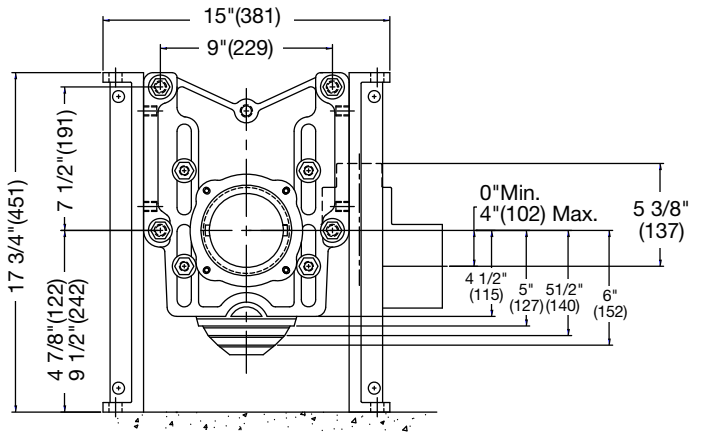
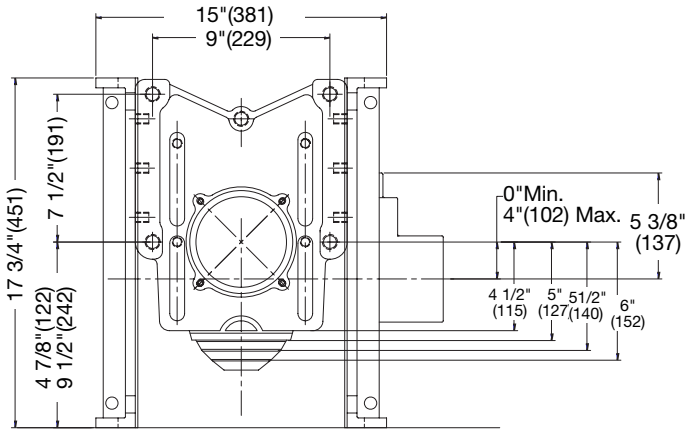
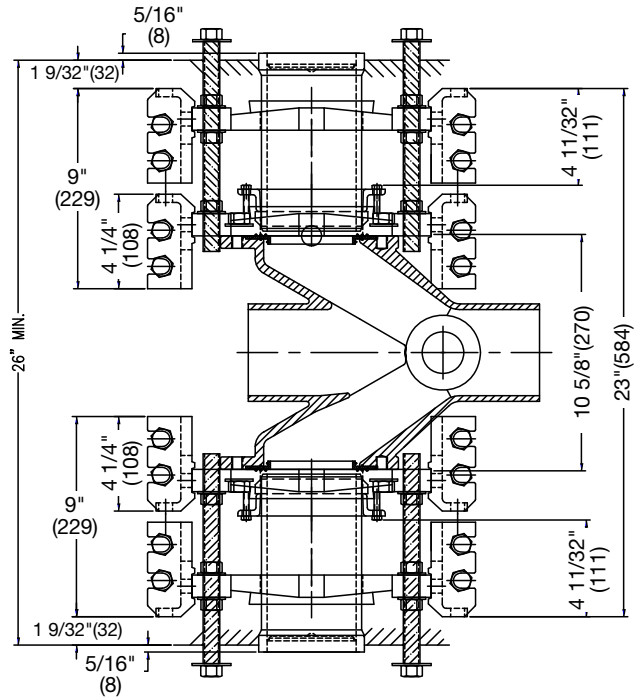
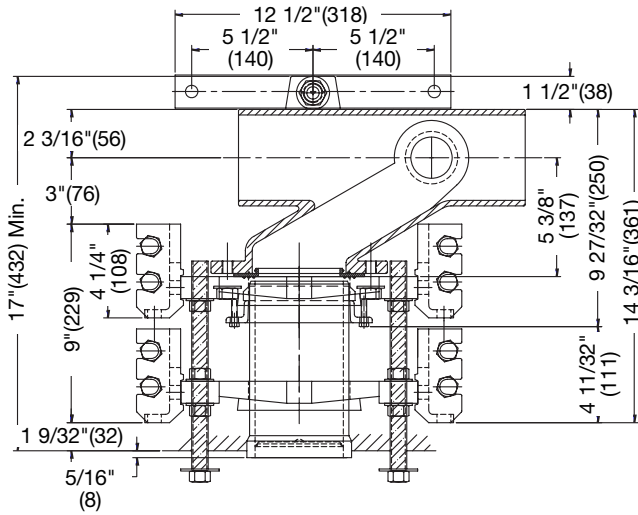
ISCA-132-D

See Pg. 213 for options & parts for all ISCA & QT models.

Consult factory for all pricing and applications outside of listed parameters.
Prices do not include applicable taxes.



Industry Standard Water Closet Carriers



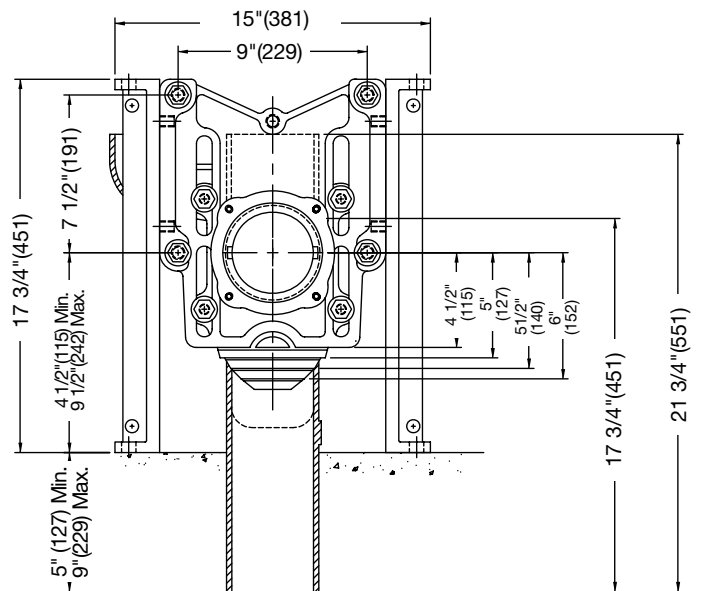
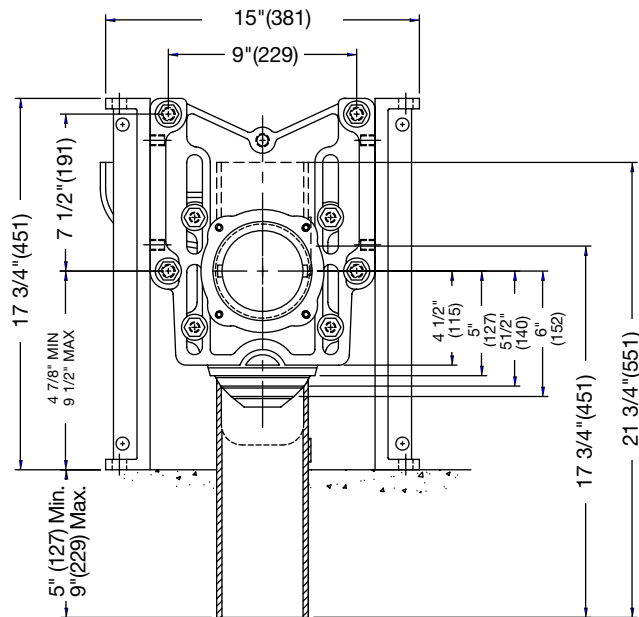
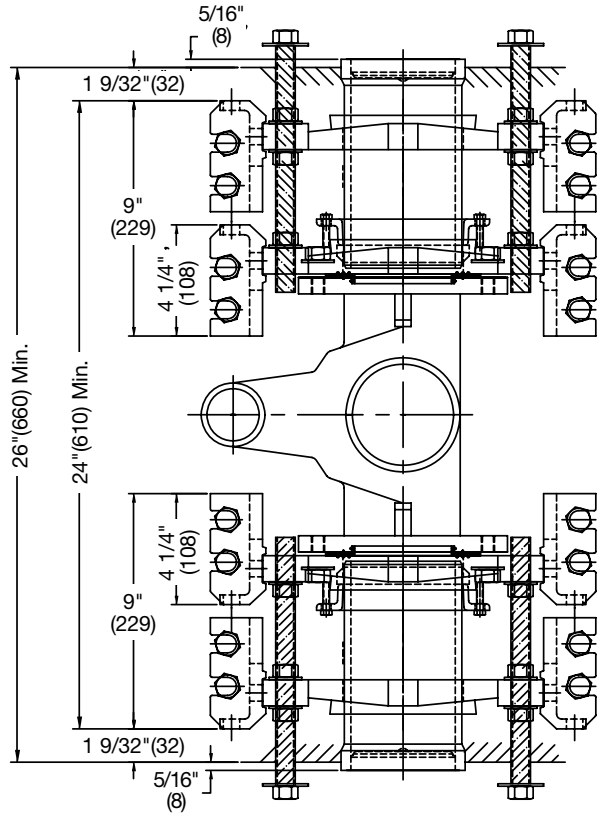
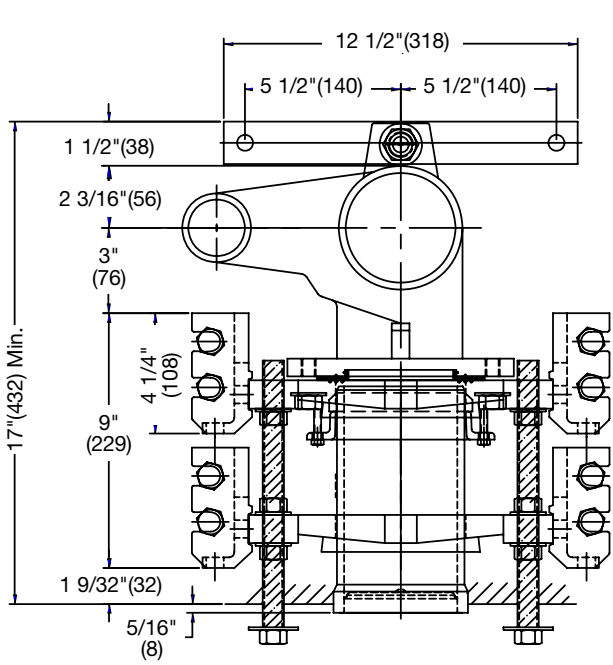
ISCA-102-L/R

ISCA-102-D



Consult factory for all pricing and applications outside of listed parameters.
Prices do not include applicable taxes.

Industry Standard Water Closet Carriers



ISCA-122

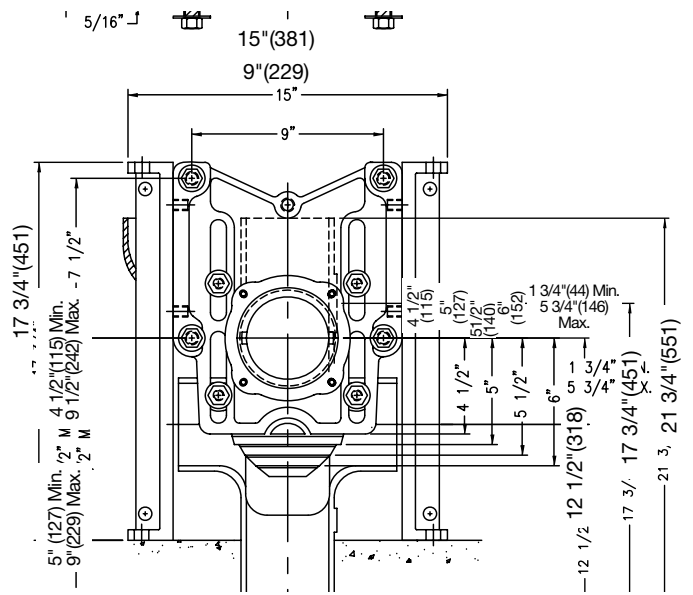
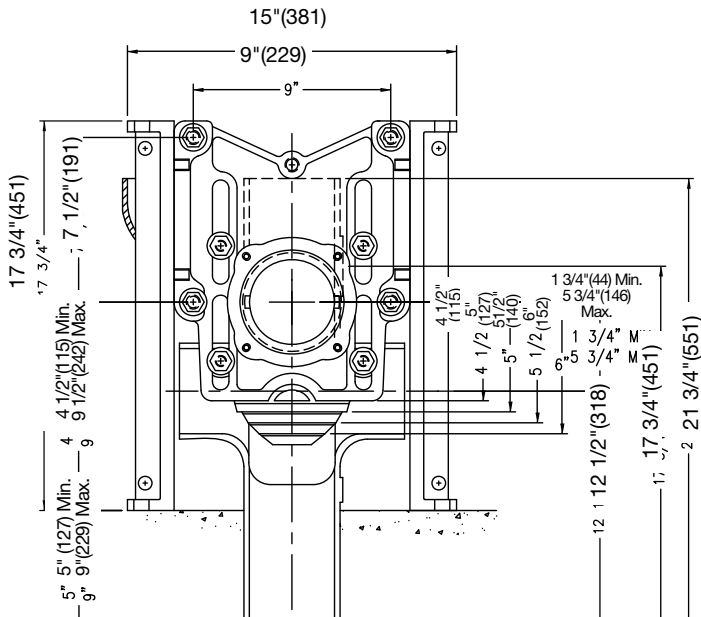
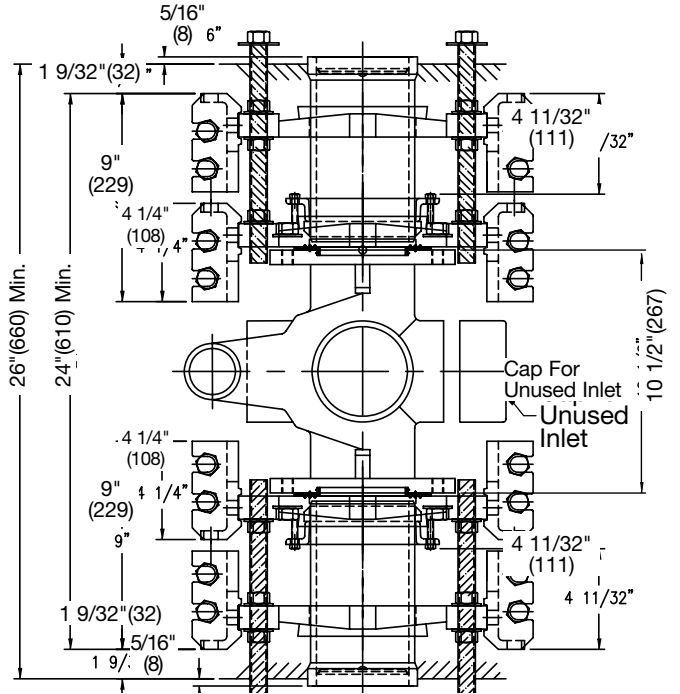
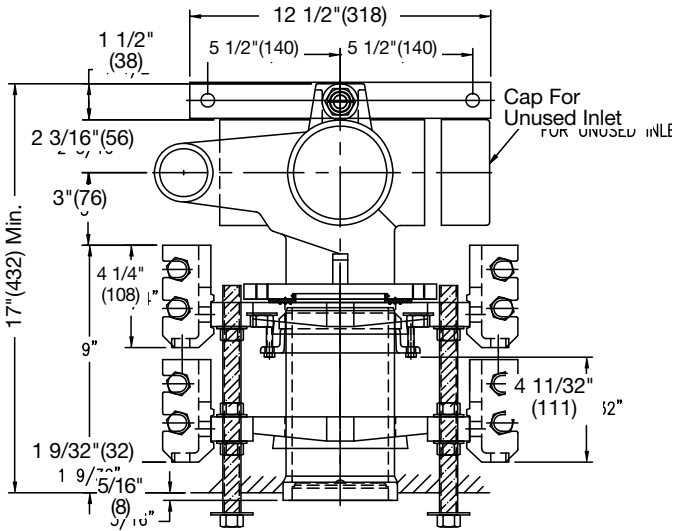
ISCA-122-D

Consult factory for all pricing and applications outside of listed parameters.

Prices do not include applicable taxes.



Industry Standard Water Closet Carriers



ISCA-132

ISCA-132-D

Industry Standard Water Closet Carriers

ISCA-103 Horizontal 750 lb. Closet Carrier

Model Number	Wt. Lbs.	Description	List Price
ISCA-103-L	77	Single Horizontal - Left Hand	\$5,404.00
ISCA-103-R	77	Single Horizontal - Right Hand	5,404.00
ISCA-103-D	135	Back-to-Back Horizontal	10,224.00



ISCA-103-L/R



ISCA-103-D

ISCA-123 Vertical 750 lb. Bariatric Carrier

Model Number	Wt. Lbs.	Description	List Price
ISCA-123	97	Single Vertical	\$6,001.00
ISCA-123-D	160	Back-to-Back Vertical	11,558.00



ISCA-123



ISCA-123-D

ISCA-133 Vertical 750 lb. Closet Carrier With Side Inlet(s)

Model Number	Wt. Lbs.	Description	List Price
ISCA-133	97	Single Vertical w/Side Inlet(s)	\$6,494.00
ISCA-133-D	160	Back-to-Back Vertical w/Side Inlet(s)	12,042.00



ISCA-133



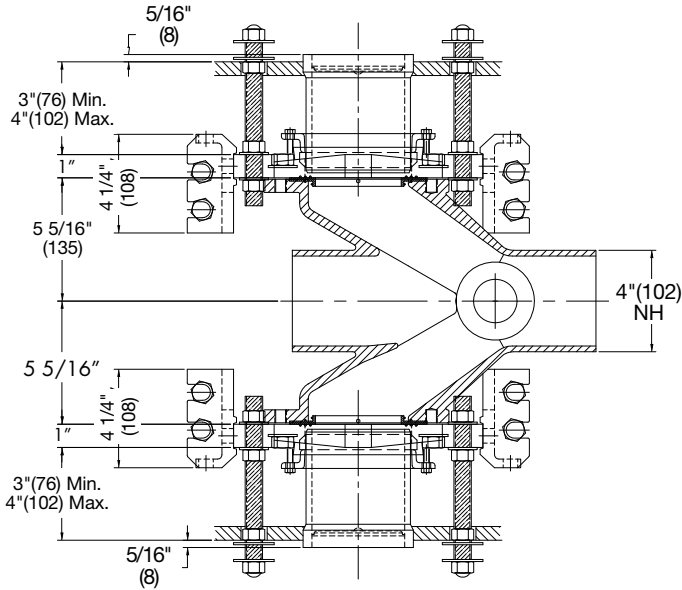
ISCA-133-D

See Pg. 213 for options & parts for all ISCA & QT models.

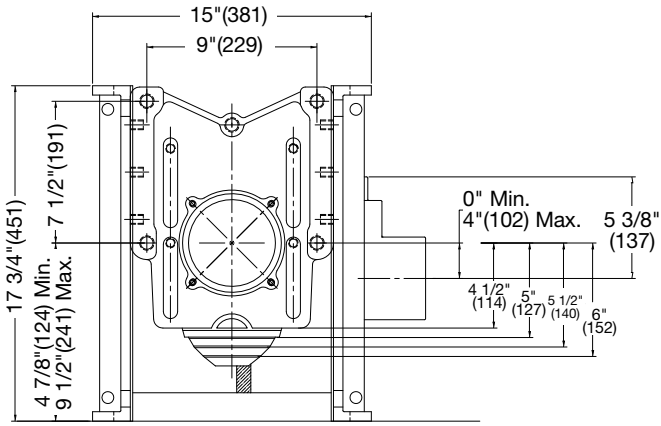
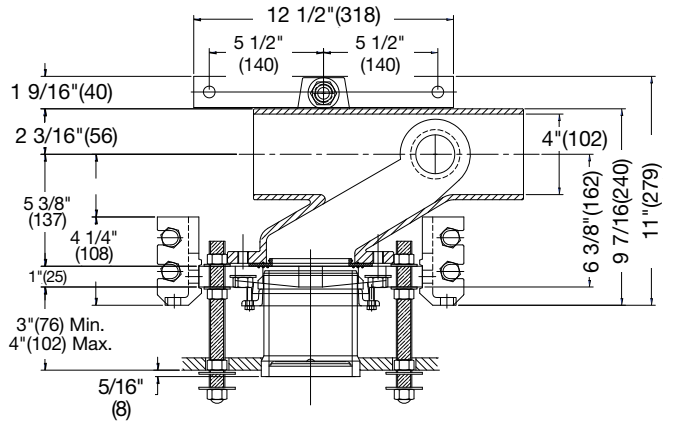
Consult factory for all pricing and applications outside of listed parameters.
Prices do not include applicable taxes.



Industry Standard Water Closet Carriers

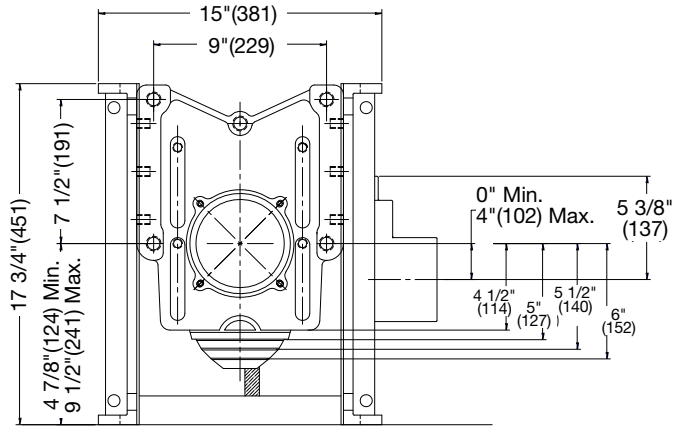


Top View



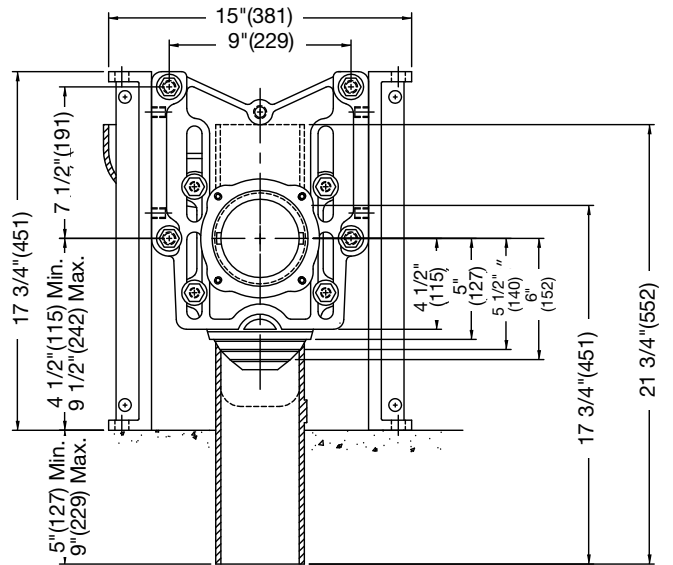
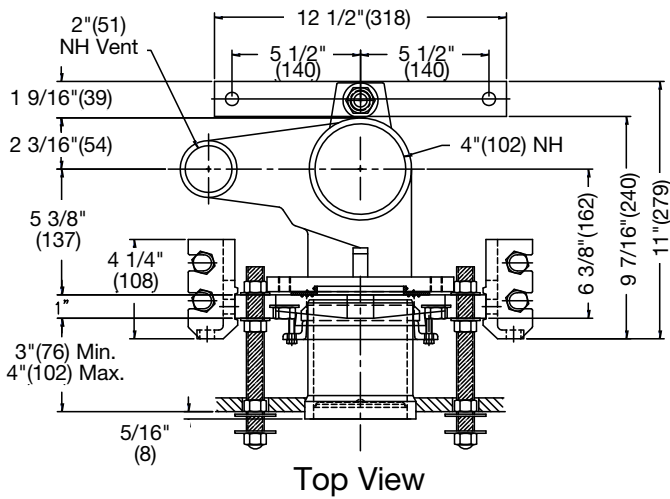
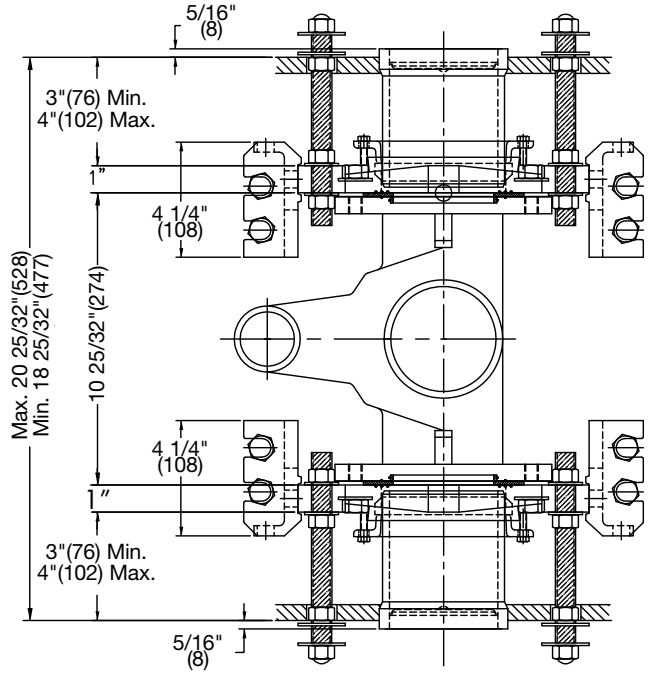
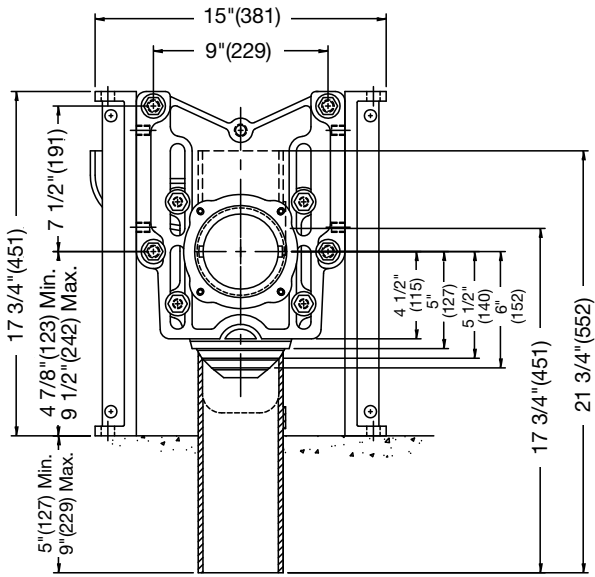
Front View

ISCA-103-D



ISCA-103-L/R

Industry Standard Water Closet Carriers



ISCA-123

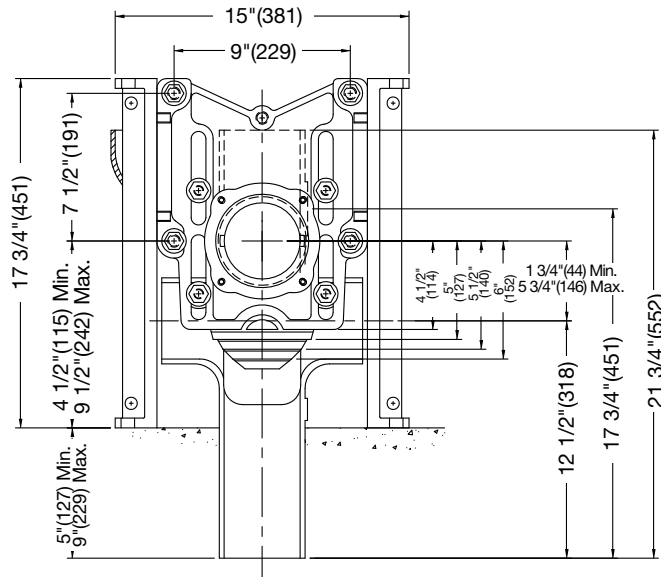
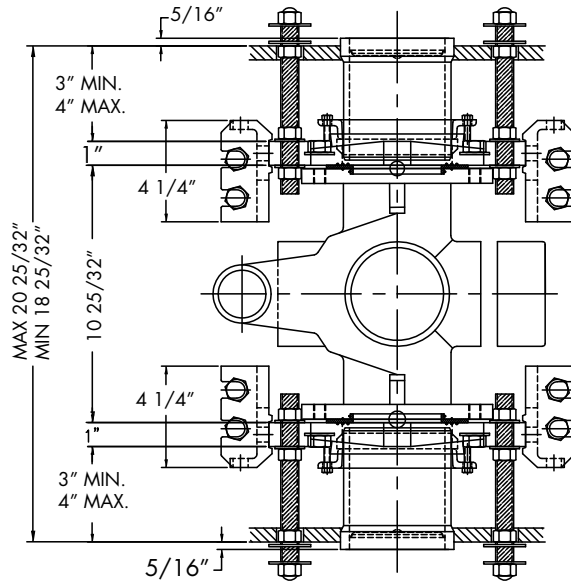
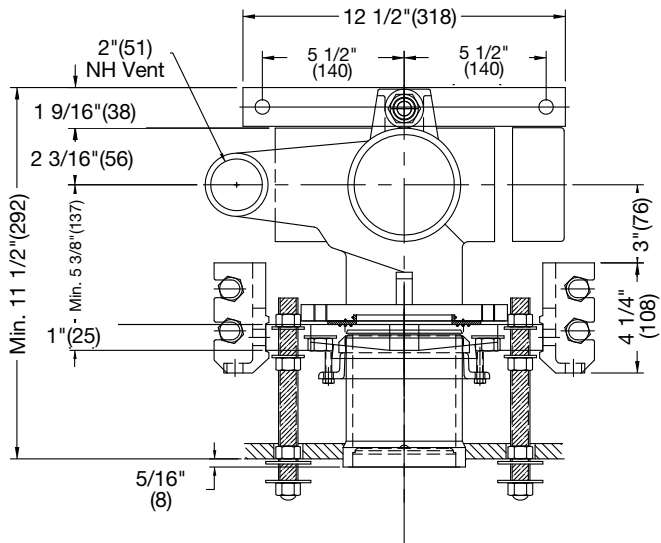
ISCA-123-D

Consult factory for all pricing and applications outside of listed parameters.

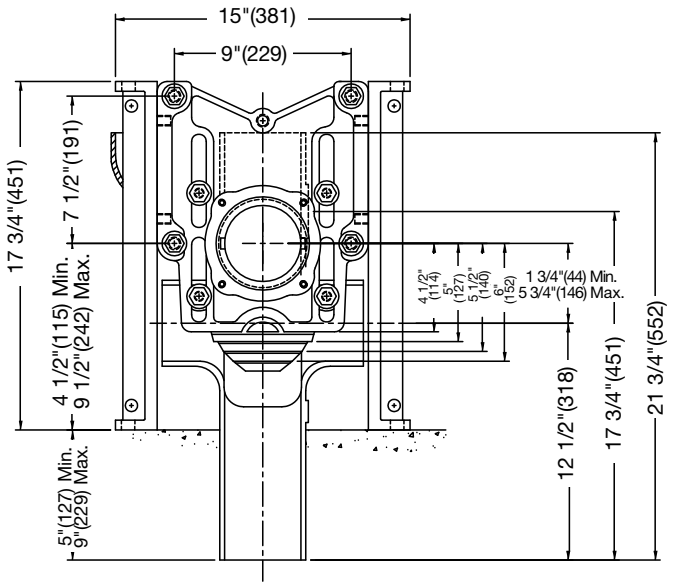
Prices do not include applicable taxes.



Industry Standard Water Closet Carriers



ISCA-133-L/R



ISCA-133-D



Consult factory for all pricing and applications outside of listed parameters.
Prices do not include applicable taxes.

Industry Standard Thin Wall Water Closet Carriers

ISCA-141 Thin Wall 500 lb. Closet Carrier

Model Number	Wt. Lbs.	Description	List Price
ISCA-141-3	52	3" Waste, 2" Vent	\$2,352.00
ISCA-141-4-V2	62	4" Waste, 2" Vent	2,352.00
ISCA-141-4-V4	62	4" Waste, 4" Vent	2,352.00
ISCA-141-4-D-V2	94	Back-to-Back, 4" Waste, 2" Vent	4,025.00
ISCA-141-4-D-V4	94	Back-to-Back, 4" Waste, 4" Vent	4,025.00



ISCA-141



ISCA-141-D

ISCA-151 Thin Wall 500 lb. Offset Closet Carrier

Model Number	Wt. Lbs.	Description	List Price
ISCA-151-L	72	Single - Left Hand	\$2,352.00
ISCA-151-R	72	Single - Right Hand	2,352.00
ISCA-151-D	107	Back-to-Back	4,025.00



ISCA-151



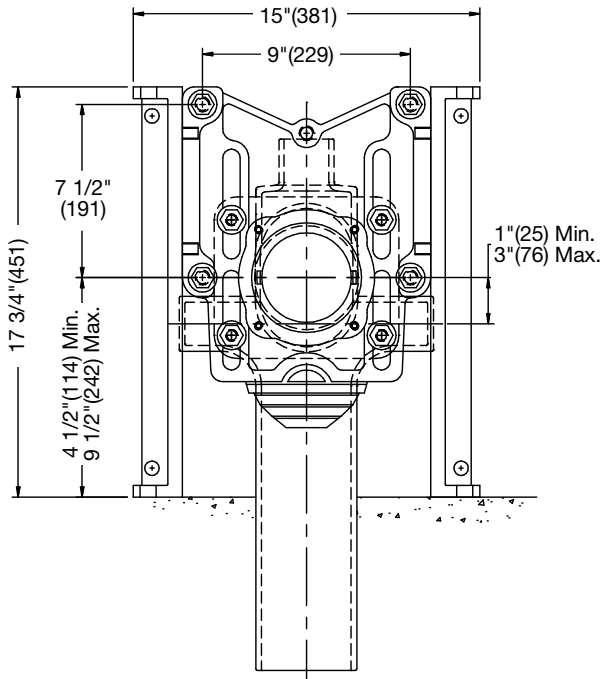
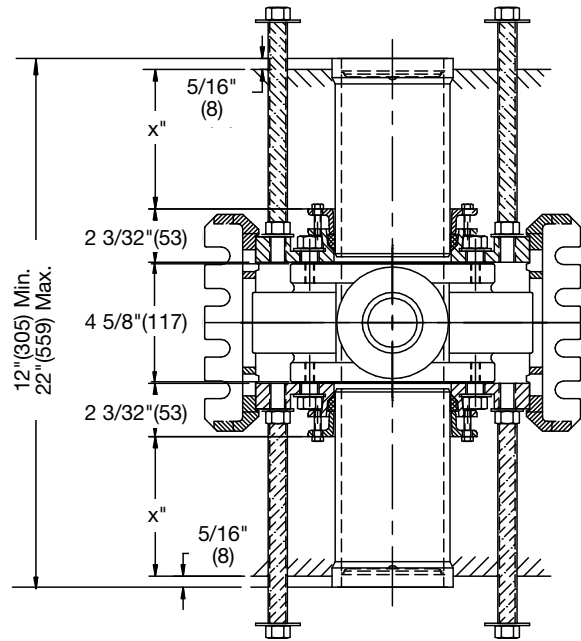
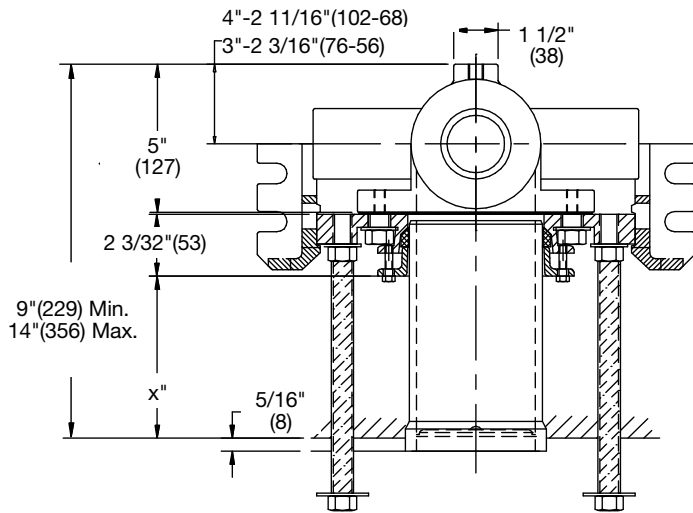
ISCA-151-D

Consult factory for all pricing and applications outside of listed parameters.

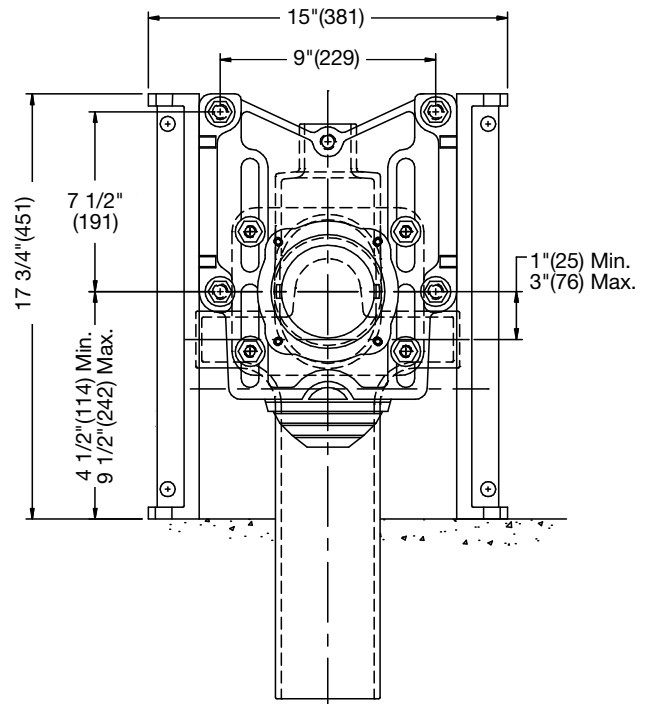
Prices do not include applicable taxes.



Industry Standard Thin Wall Water Closet Carriers

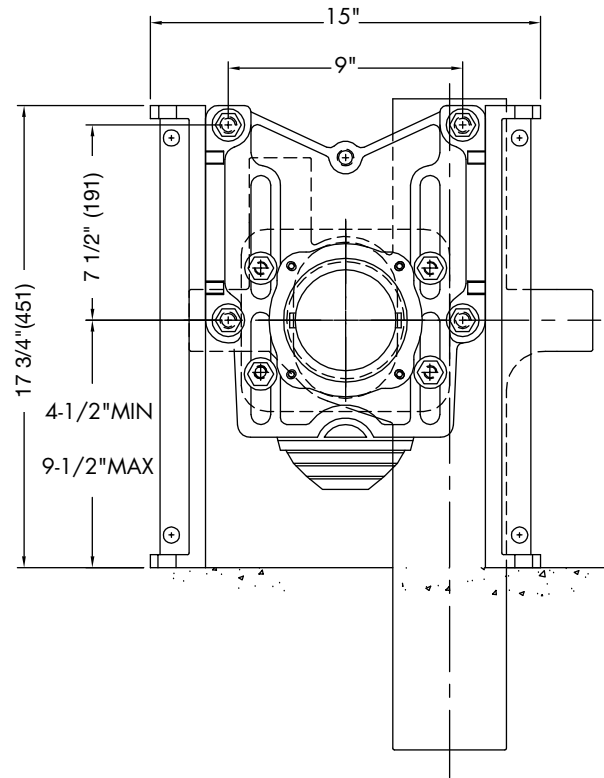
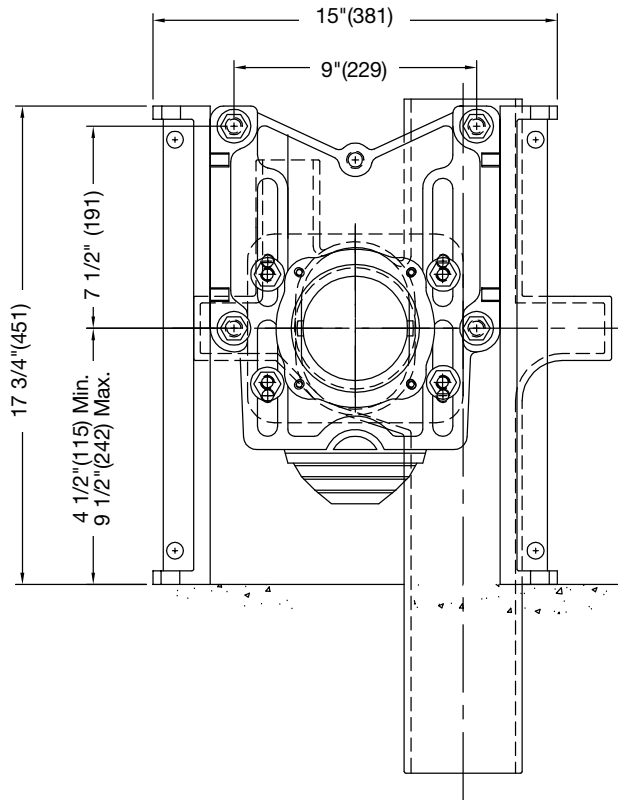
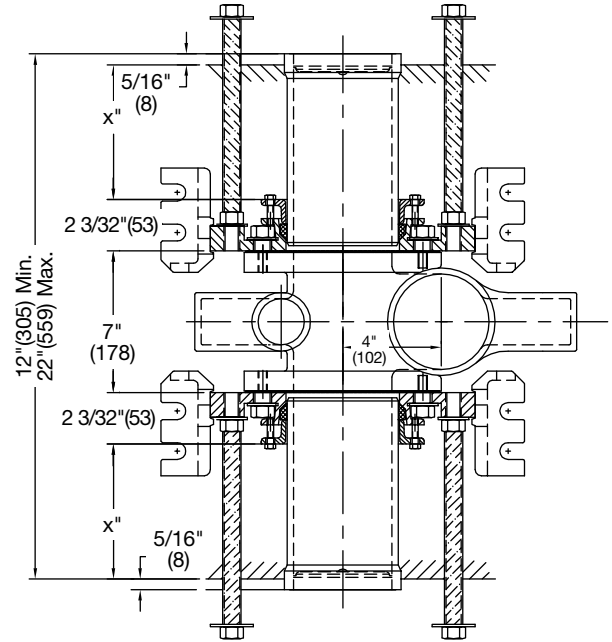
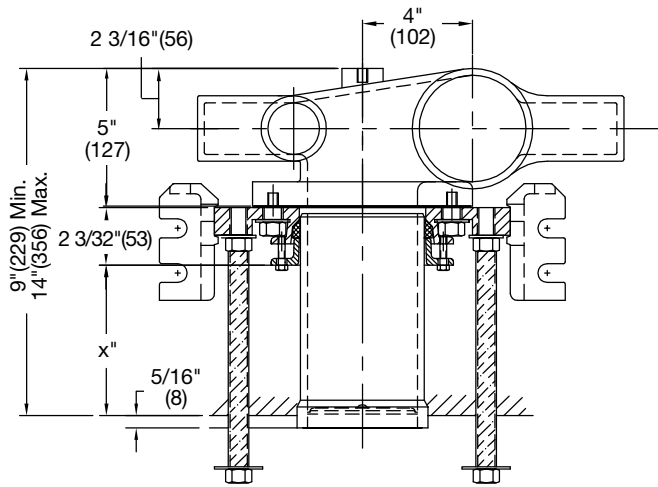


ISCA-141



ISCA-141-D

Industry Standard Thin Wall Water Closet Carriers



ISCA-151

ISCA-151-D

Consult factory for all pricing and applications outside of listed parameters.

Prices do not include applicable taxes.



QT QuickTurn™ Water Closet Carriers

QT-101 Horizontal Adjustable 500 lb. Closet Carrier

Model Number	Wt. Lbs.	Description	List Price
QT-101-L	66	Single Horizontal - Left Hand	\$2,809.00
QT-101-R	66	Single Horizontal - Right Hand	2,809.00
QT-101-L-AUX	67	Single Horizontal - LH - 2" Aux Conn.	3,561.00
QT-101-R-AUX	67	Single Horizontal - RH - 2" Aux Conn.	3,561.00
QT-101-D	122	Back-to-Back Horizontal	5,252.00



QT-101-L



QT-101-D

QT-121 Vertical Adjustable 500 lb. Closet Carrier

Model Number	Wt. Lbs.	Description	List Price
QT-121	81	Single Vertical	\$3,188.00
QT-121-D	132	Back-to-Back Vertical	5,631.00



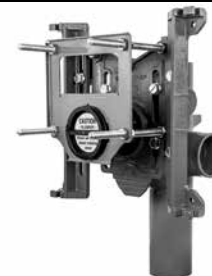
QT-121



QT-121-D

QT-131 Vertical Adjustable 500 lb. Closet Carrier with Side Inlet(s)

Model Number	Wt. Lbs.	Description	List Price
QT-131	82	Single Vertical - w/Side Inlet(s)	\$3,727.00
QT-131-D	138	Back to Back Vertical - w/Side Inlet(s)	6,157.00



QT-131



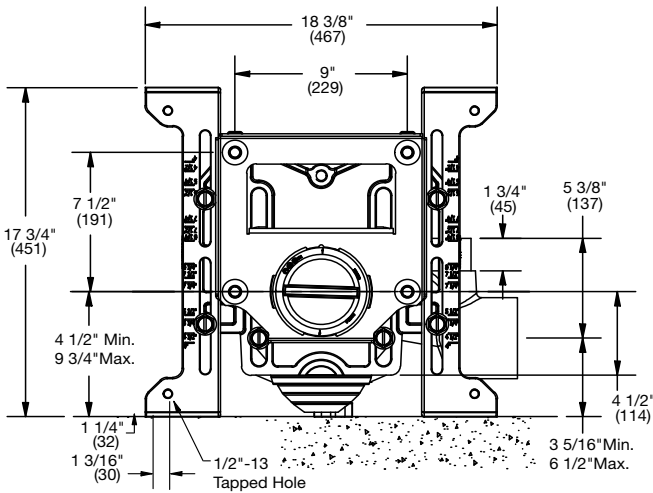
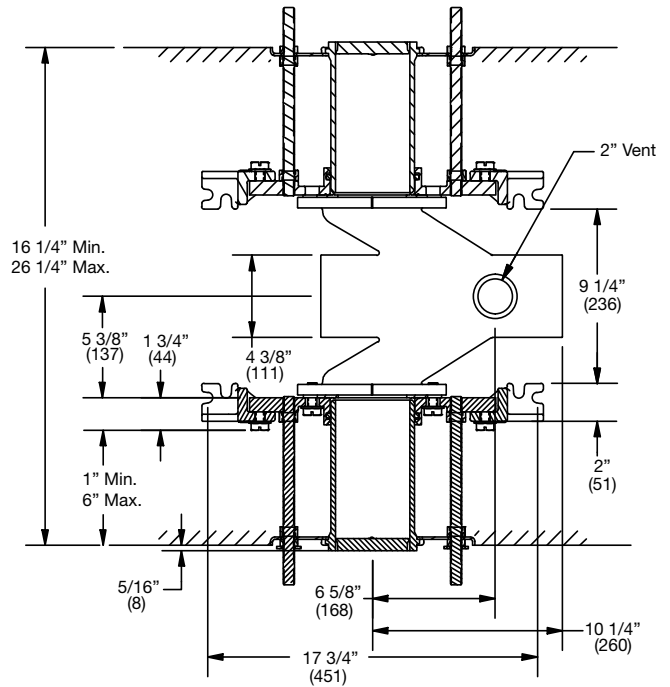
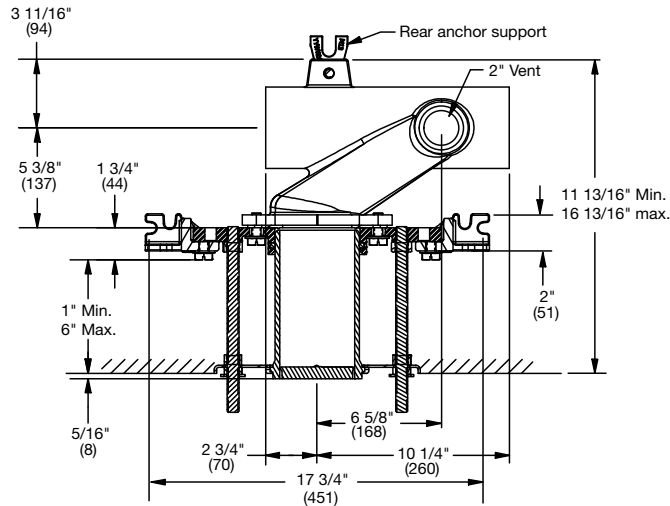
QT-131-D

See Pg. 213 for options & parts for all ISCA & QT models.

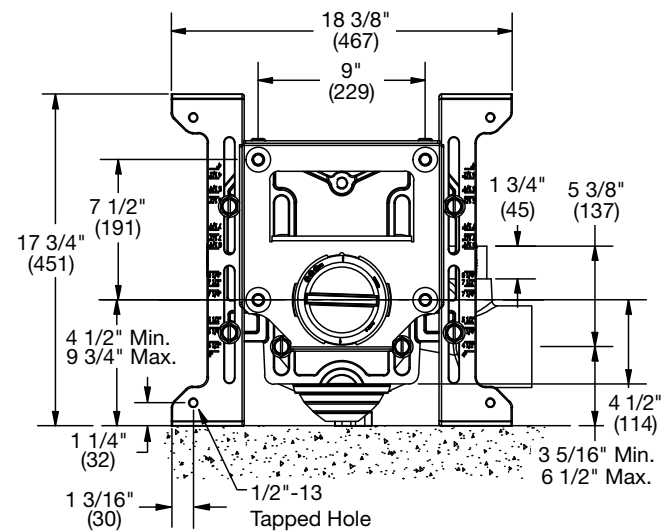
QT QuickTurn™ Water Closet Carriers

QT-CFP-5.5T-KIT QT Carrier Trim Kits

Model Number	EDP	Wt. Lbs.	Description	List Price
QT-CFP-5.5T-KIT	8201721	44	QT Carrier FP Pack 5.5T-KIT	\$2,567.00



QT-101-L/R



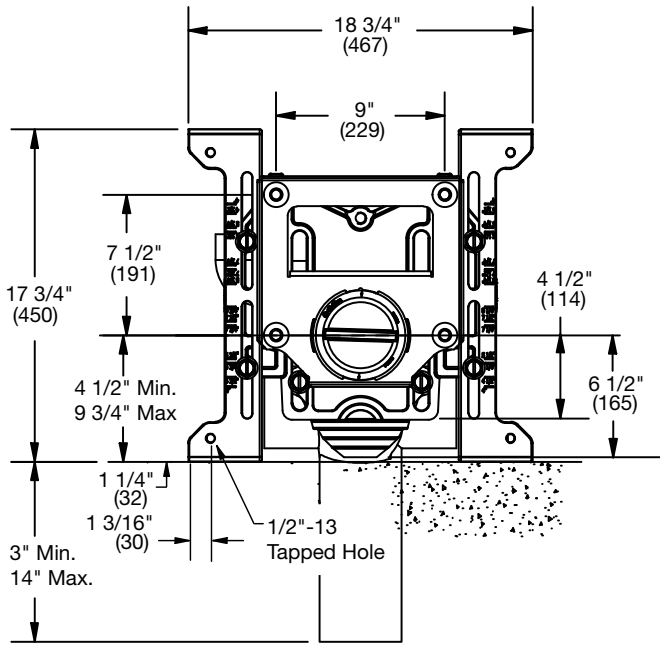
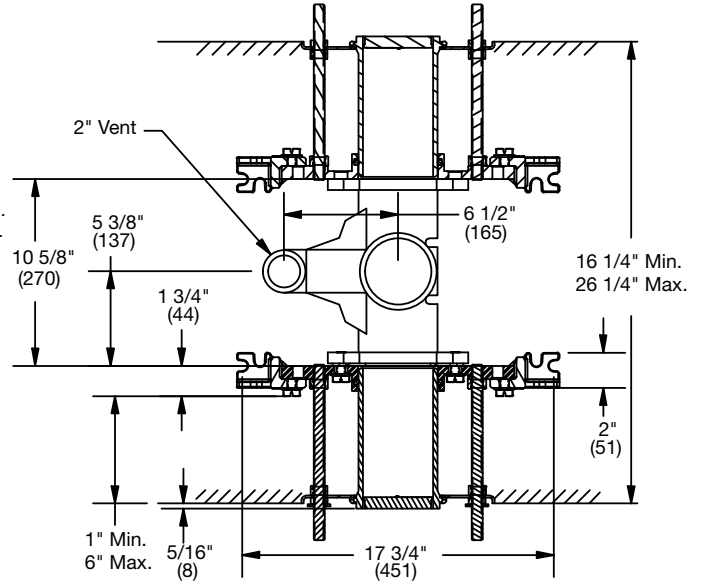
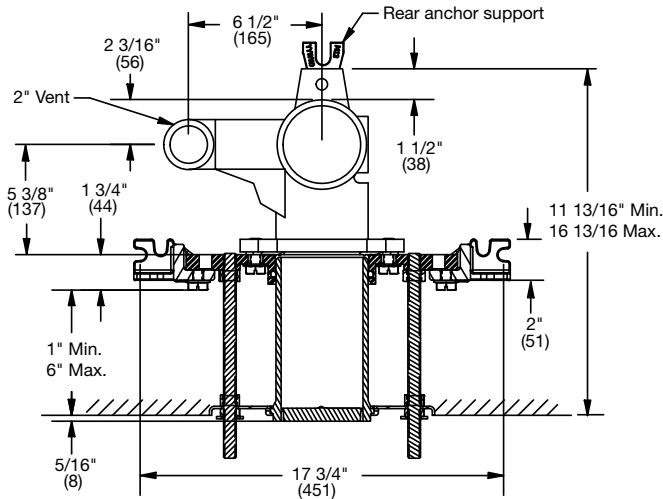
QT-101-D

Consult factory for all pricing and applications outside of listed parameters.

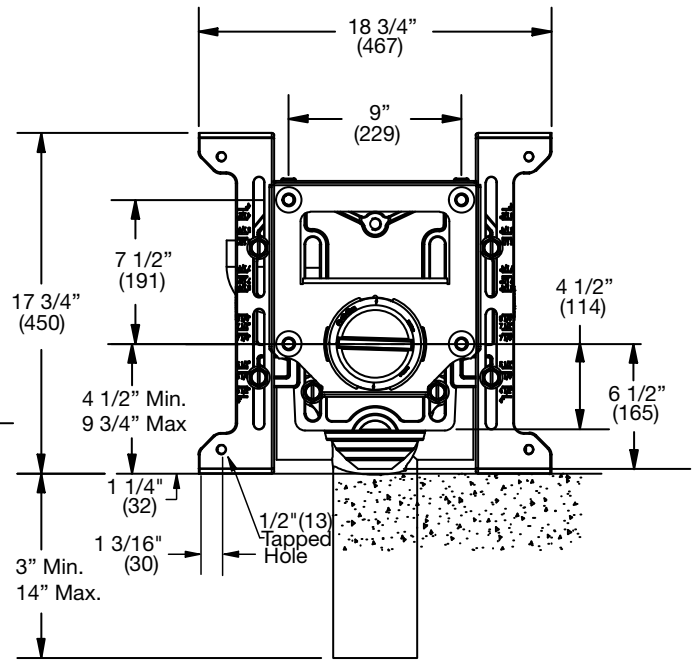
Prices do not include applicable taxes.



QT QuickTurn™ Water Closet Carriers

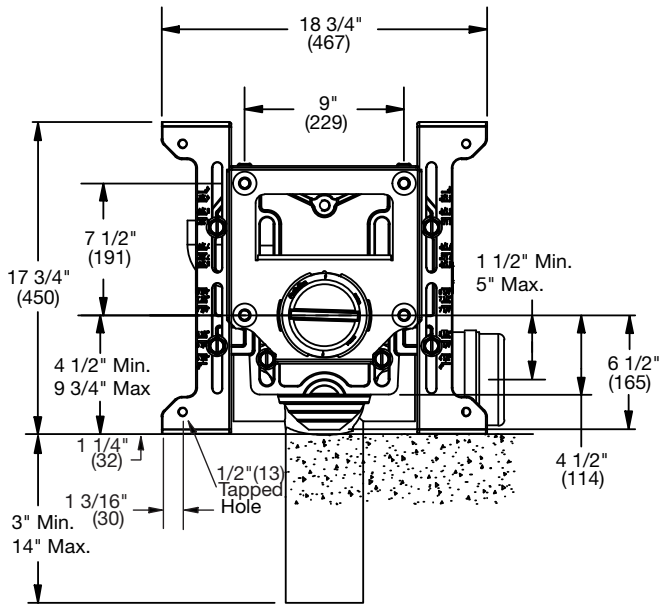
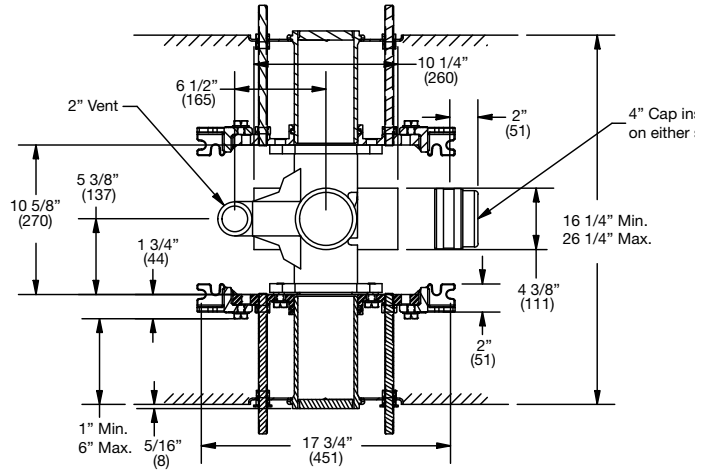
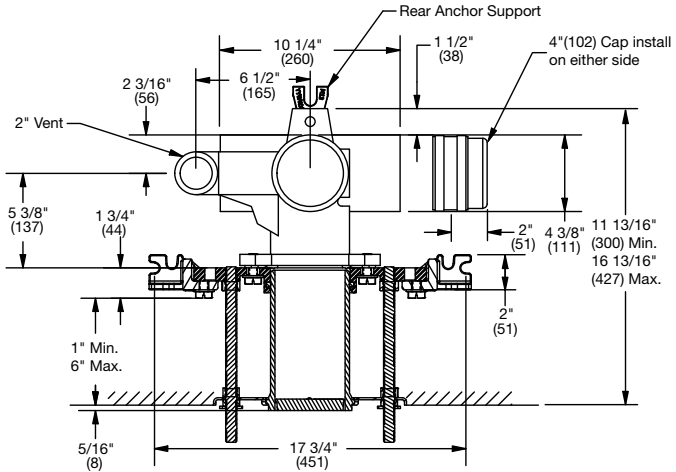


QT-121

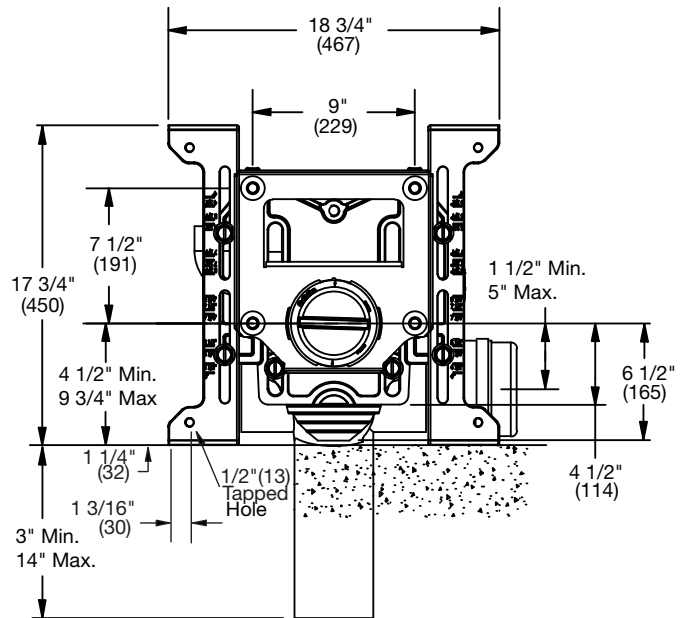


QT-121-D

QT QuickTurn™ Water Closet Carriers



QT-131



QT-131-D

Consult factory for all pricing and applications outside of listed parameters.

Prices do not include applicable taxes.



QT QuickTurn™ Water Closet Carriers

QT-102

Horizontal Adjustable 1000 lb. Bariatric Closet Carrier

Model Number	Wt. Lbs.	Description	List Price
QT-102-L	104	Single Horizontal - Left Hand	\$7,048.00
QT-102-R	104	Single Horizontal - Right Hand	7,048.00
QT-102-D	198	Back-to-Back Horizontal	13,587.00



QT-102-L



QT-102-D

QT-122

Vertical Adjustable 1000 lb. Bariatric Closet Carrier

Model Number	Wt. Lbs.	Description	List Price
QT-122	119	Single Vertical	\$7,756.00
QT-122-D	208	Back-to-Back Vertical	14,948.00



QT-122



QT-122-D

QT-132

Vertical Adjustable 1000 lb. Bariatric Closet Carrier with Side Inlet(s)

Model Number	Wt. Lbs.	Description	List Price
QT-132	120	Single Vertical w/Side Inlet(s)	\$8,220.00
QT-132-D	214	Back-to-Back Vertical w/Side Inlet(s)	15,401.00



QT-132



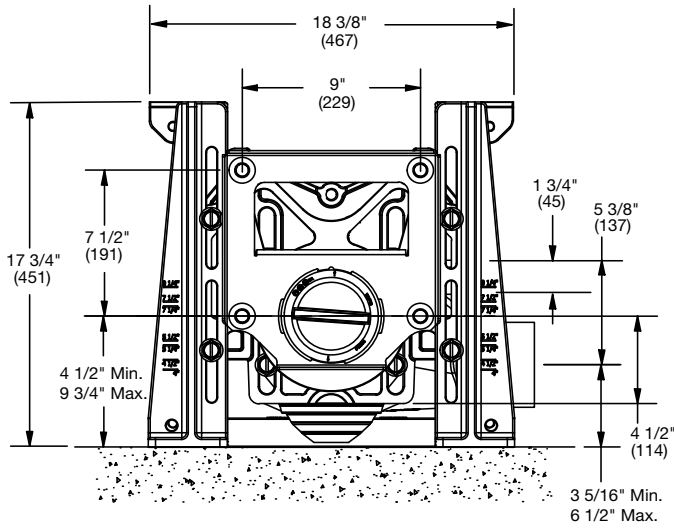
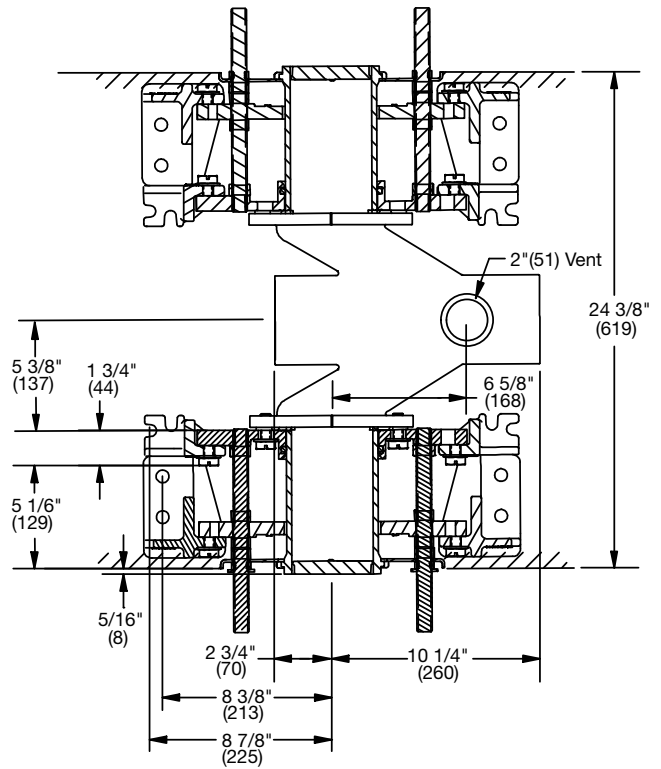
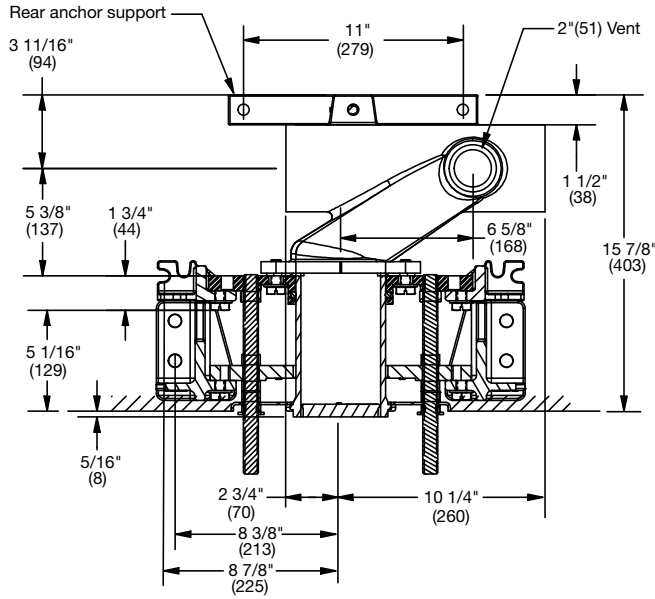
QT-132-D

See Pg. 213 for options
& parts for all ISCA &
QT models.

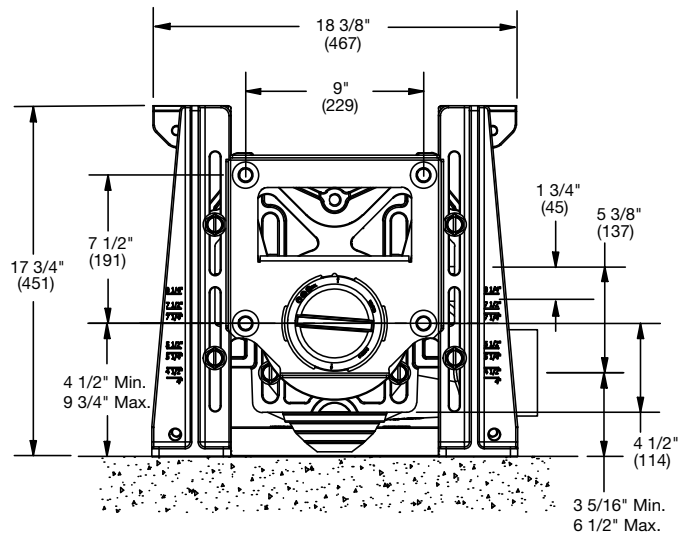


Consult factory for all pricing and applications outside of listed parameters.
Prices do not include applicable taxes.

QT QuickTurn™ Water Closet Carriers



QT-102-LR



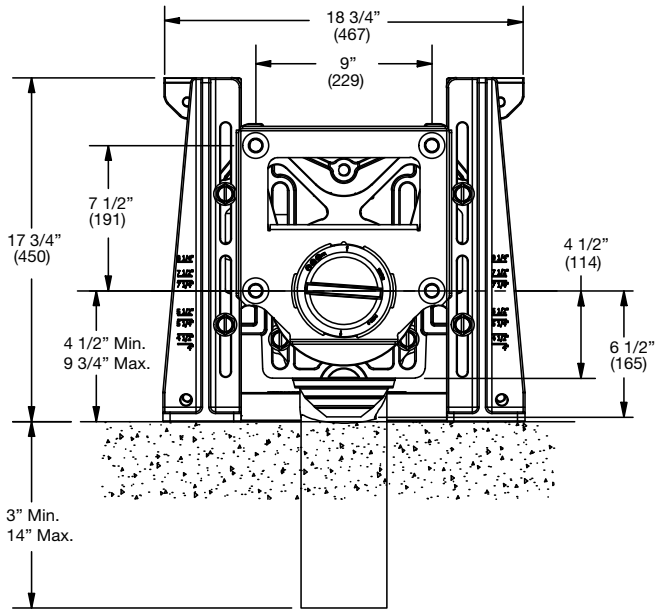
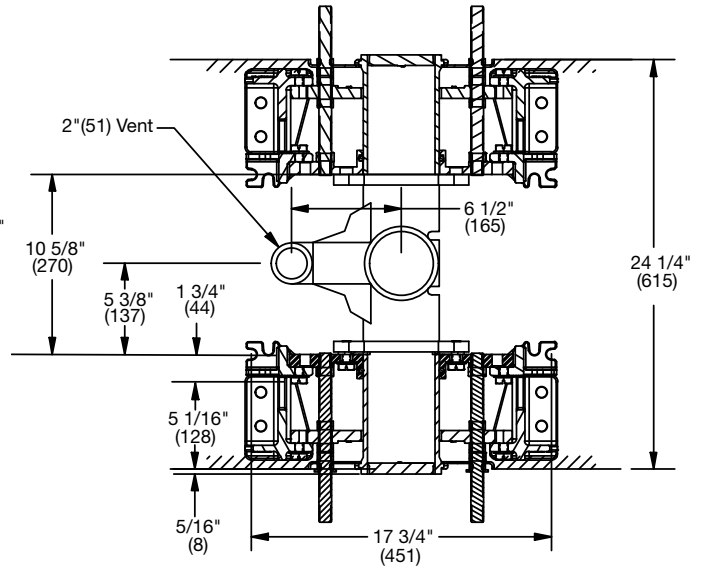
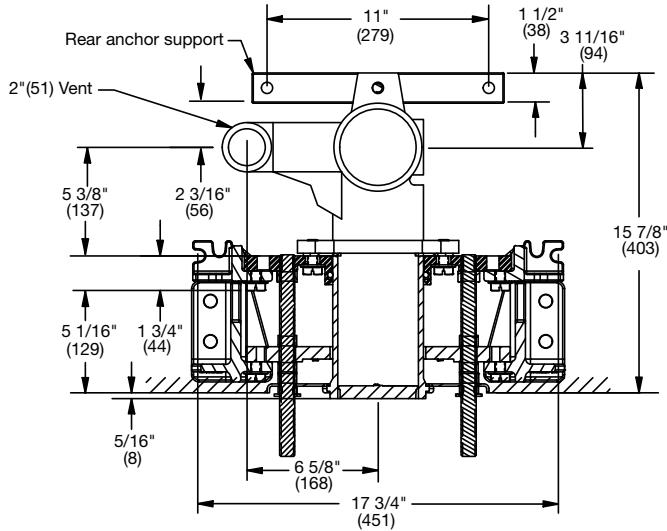
QT-102-D

Consult factory for all pricing and applications outside of listed parameters.

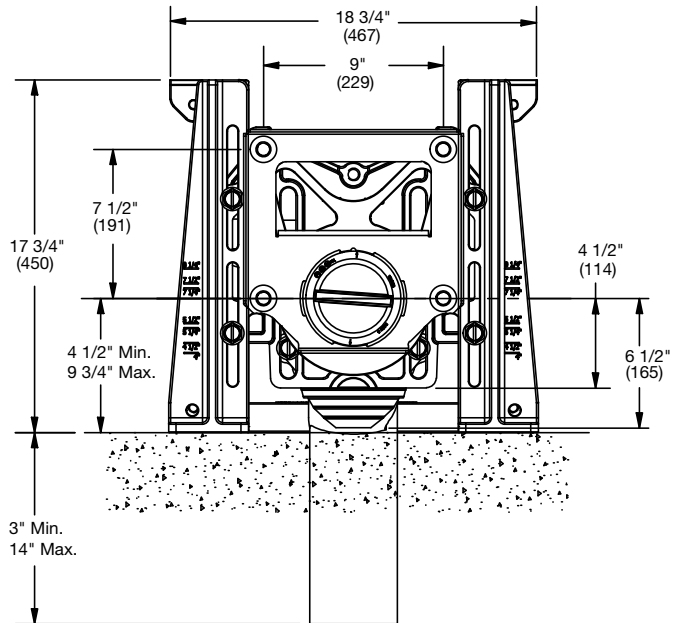
Prices do not include applicable taxes.



QT QuickTurn™ Water Closet Carriers

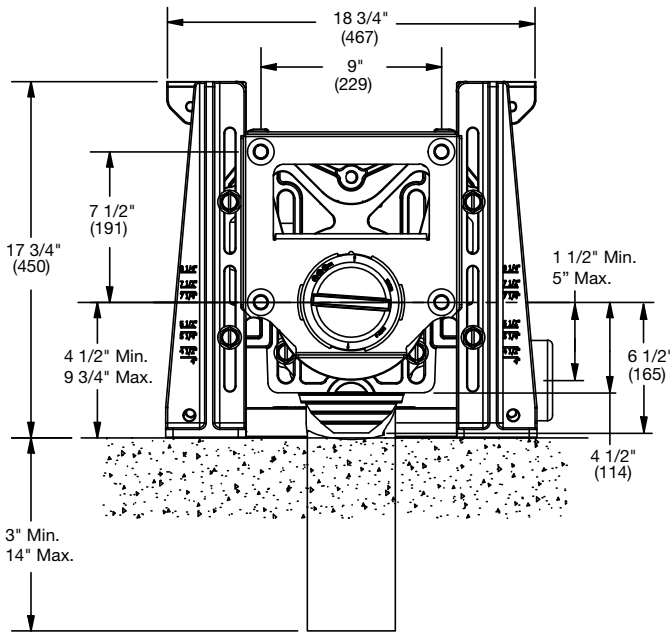
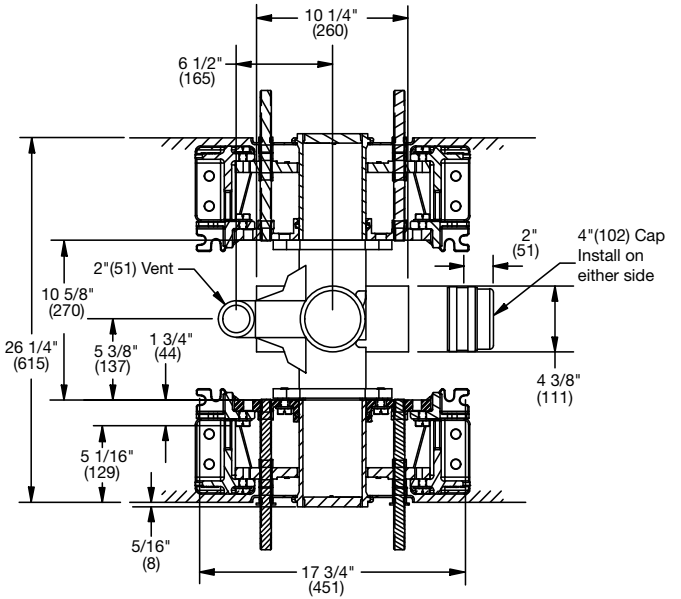
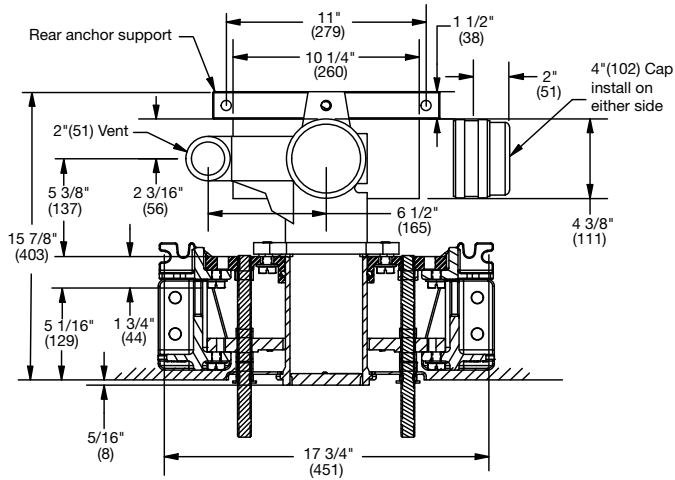


QT-122

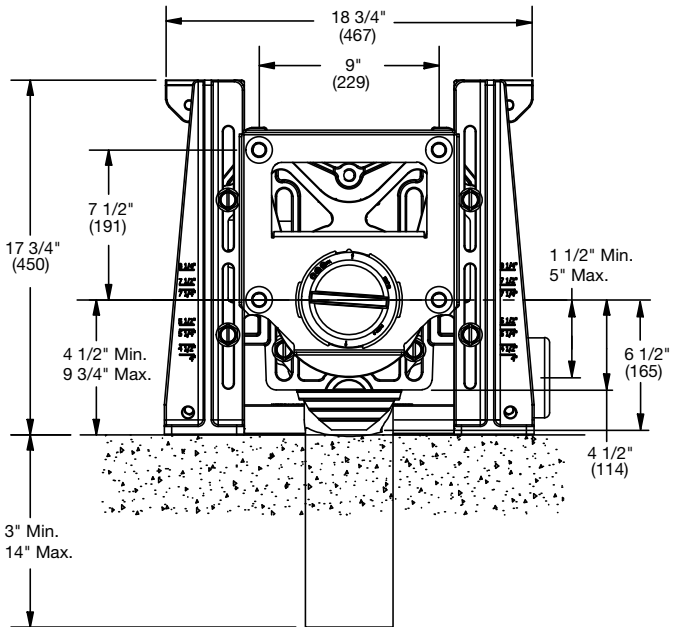


QT-122-D

QT QuickTurn™ Water Closet Carriers



QT-132



QT-132-D

Consult factory for all pricing and applications outside of listed parameters.

Prices do not include applicable taxes.



QT QuickTurn™ Water Closet Carriers

QT-103 Horizontal Adjustable 750 lb. Closet Carrier

Model Number	Wt. Lbs.	Description	List Price
QT-103-L	81	Single Horizontal - Right Hand	\$4,989.00
QT-103-R	81	Single Horizontal - Left Hand	4,989.00
QT-103-D	152	Back-to-Back Horizontal.	9,606.00



QT-103-L



QT-103-D

QT-123 Vertical Adjustable 750 lb. Closet Carrier

Model Number	Wt. Lbs.	Description	List Price
QT-123	96	Single Vertical	\$6,176.00
QT-123-D	162	Back-to-Back Vertical	11,893.00



QT-123



QT-123-D

QT-133 Vertical Adjustable 750 lb. Closet Carrier with Side Inlet(s)

Model Number	Wt. Lbs.	Description	List Price
QT-133	97	Single Vertical - w/Side Inlet(s)	\$6,102.00
QT-133-D	168	Back to Back Vertical - w/Side Inlet(s)	11,317.00



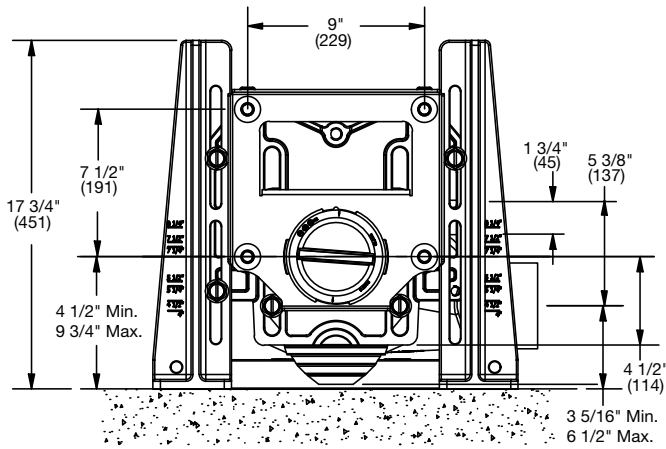
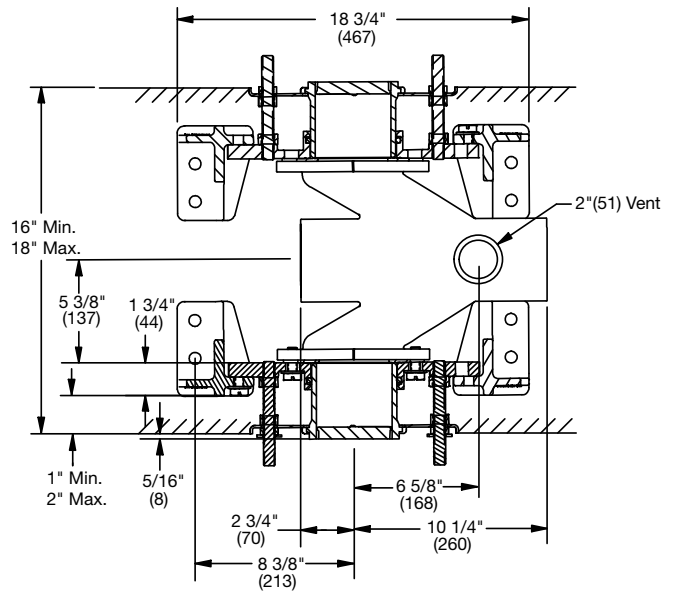
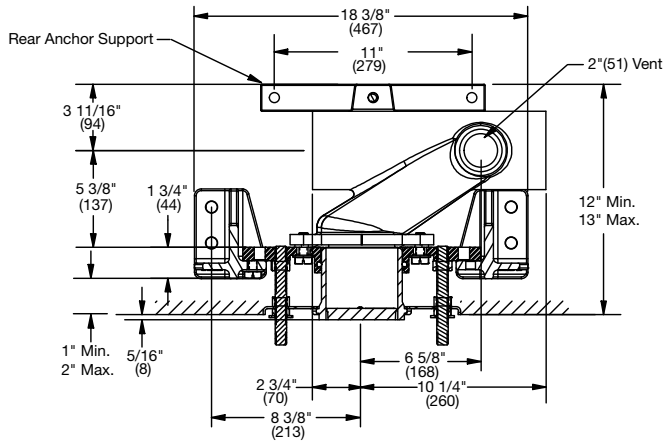
QT-133



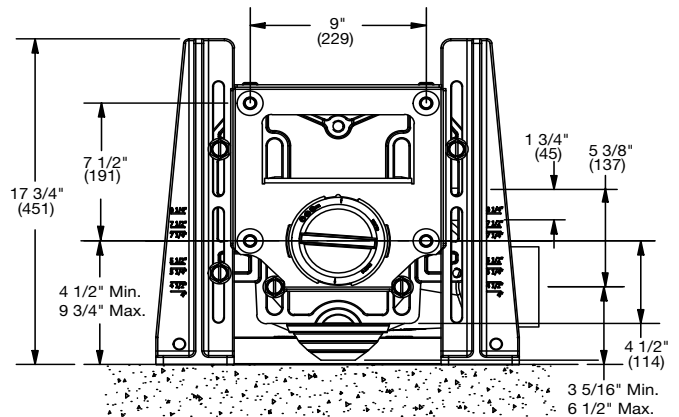
QT-133-D

See Pg. 213 for options & parts for all ISCA & QT models.

QT QuickTurn™ Water Closet Carriers



QT-103-L/R



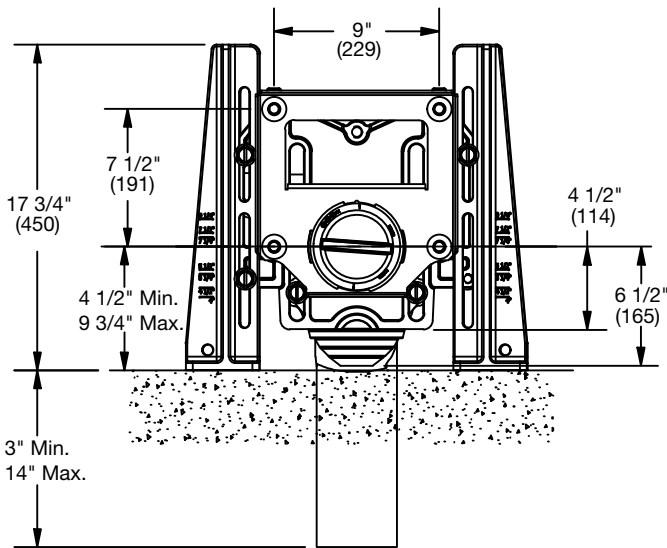
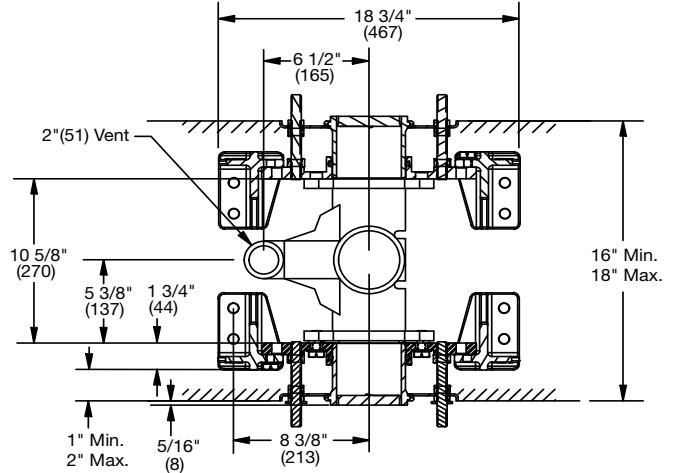
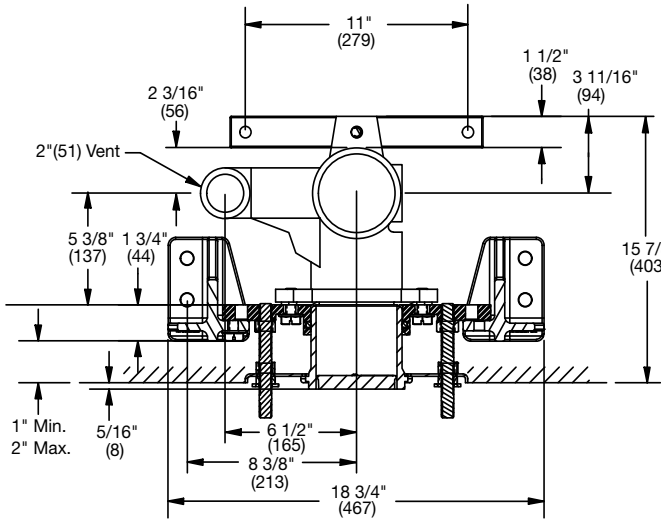
QT-103-D

Consult factory for all pricing and applications outside of listed parameters.

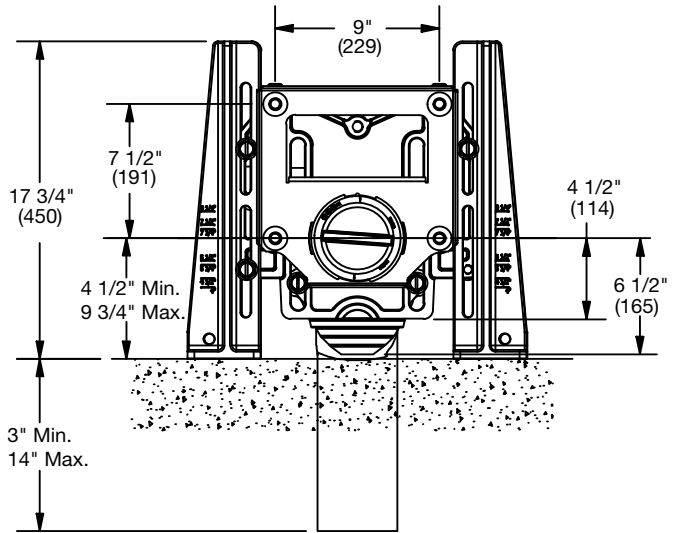
Prices do not include applicable taxes.



QT QuickTurn™ Water Closet Carriers



QT-123

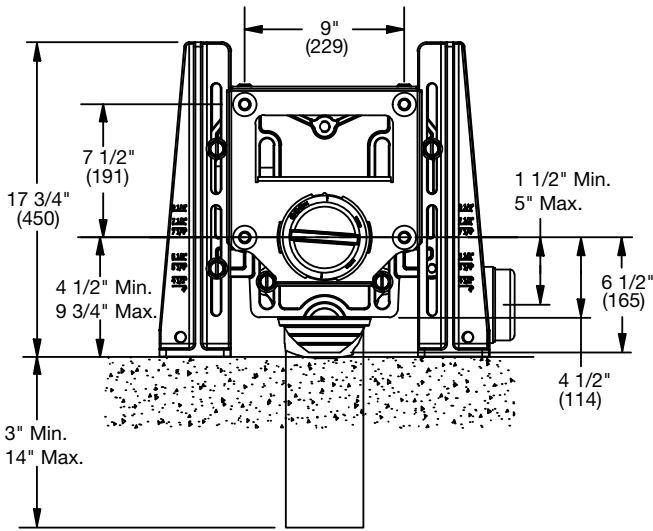
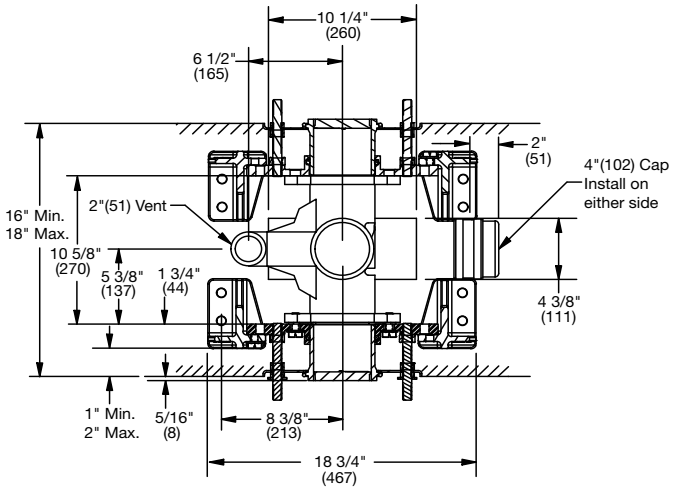
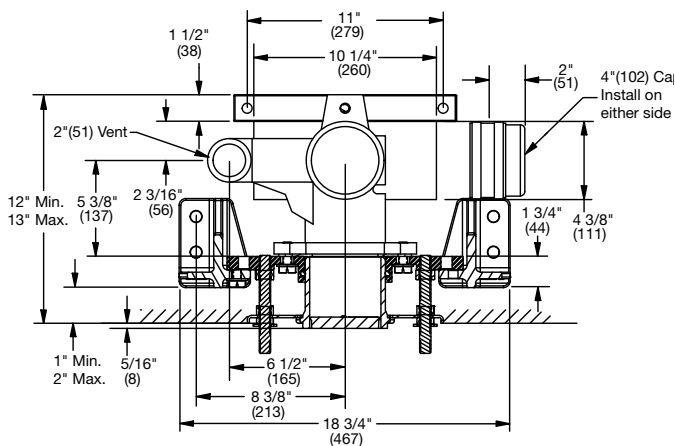


QT-123-D

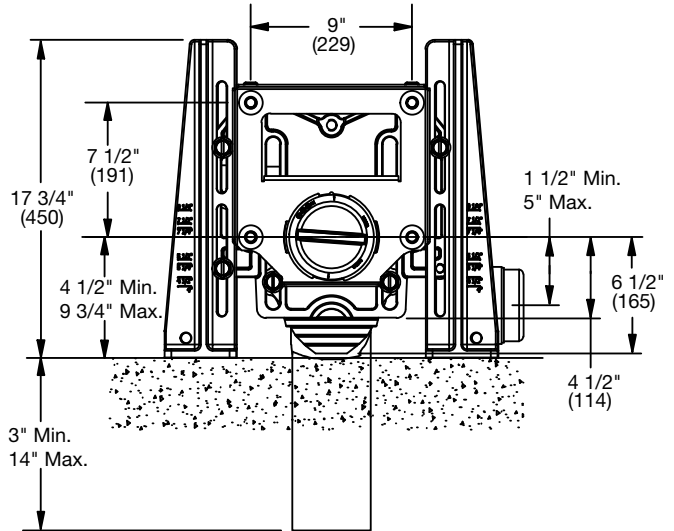


Consult factory for all pricing and applications outside of listed parameters.
Prices do not include applicable taxes.

QT QuickTurn™ Water Closet Carriers



QT-133



QT-133-D

Consult factory for all pricing and applications outside of listed parameters.

Prices do not include applicable taxes.



QT QuickTurn™ Thin Wall Water Closet Carriers

QT-141 Thin Wall 500 lb. Closet Carrier

Model Number	Wt. Lbs.	Description	List Price
QT-141-3	76	3" Waste, 2" Vent	\$2,274.00
QT-141-4-V2	76	4" Waste, 2" Vent	2,274.00
QT-141-4-V4	76	4" Waste, 4" Vent	2,274.00
QT-141-4-D-V2	120	Back-to-Back, 4" Waste, 2" Vent	3,891.00
QT-141-4-D-V4	127	Back-to-Back, 4" Waste, 4" Vent	3,891.00



QT-141-3



QT-141-4-D-V2

QT-151 Thin Wall 500 lb. Offset Closet Carrier

Model Number	Wt. Lbs.	Description	List Price
QT-151-L	77	Single - Left Hand	\$2,741.00
QT-151-R	77	Single - Right Hand	2,741.00
QT-151-D	128	Back to Back	4,688.00



QT-151-L



QT-151-D

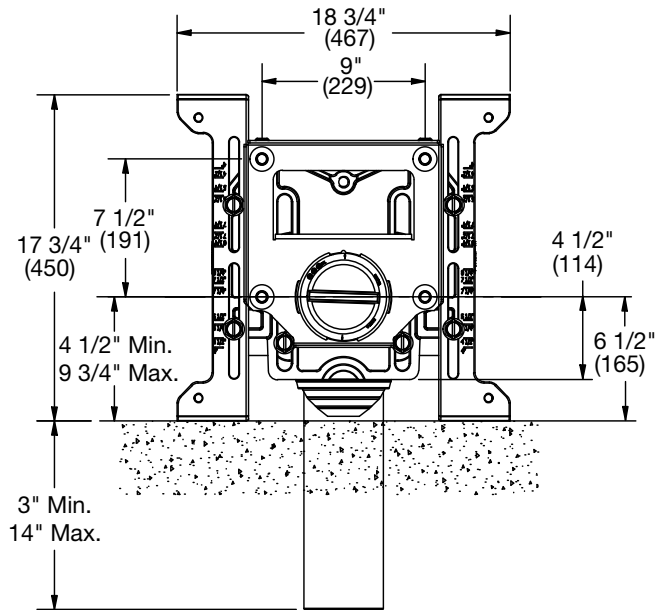
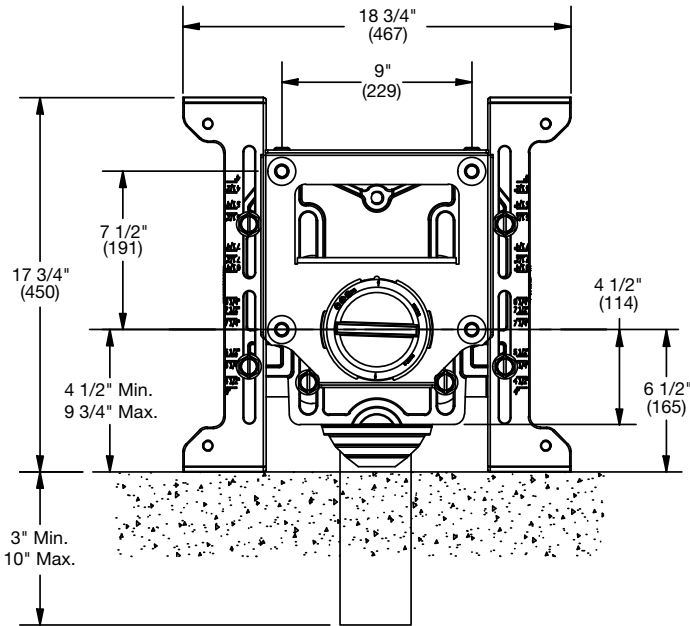
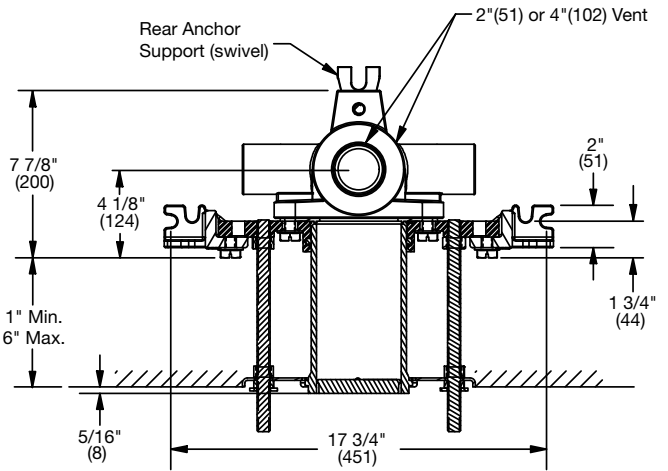
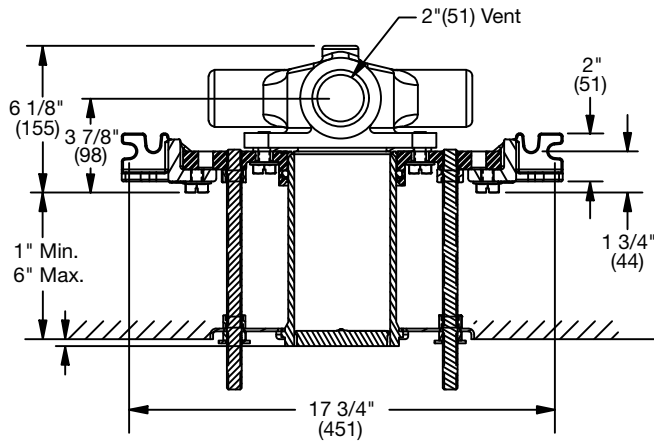
QT-161-L/R Thin Wall 500 lb. Horizontal Closet Carrier

Model Number	Wt. Lbs.	Description	List Price
QT-161-L	78	Single - Left Hand	\$3,119.00
QT-161-R	78	Single - Right Hand	3,119.00



QT-161-L

QT QuickTurn™ Water Closet Carriers



QT-141-3

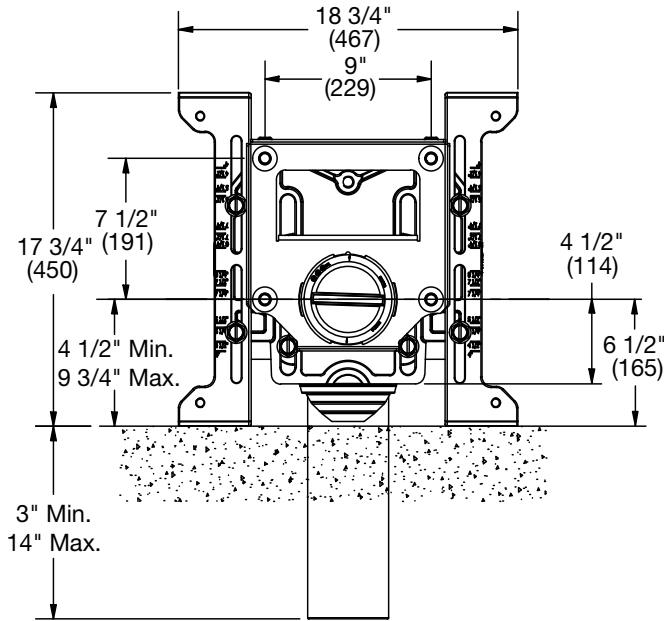
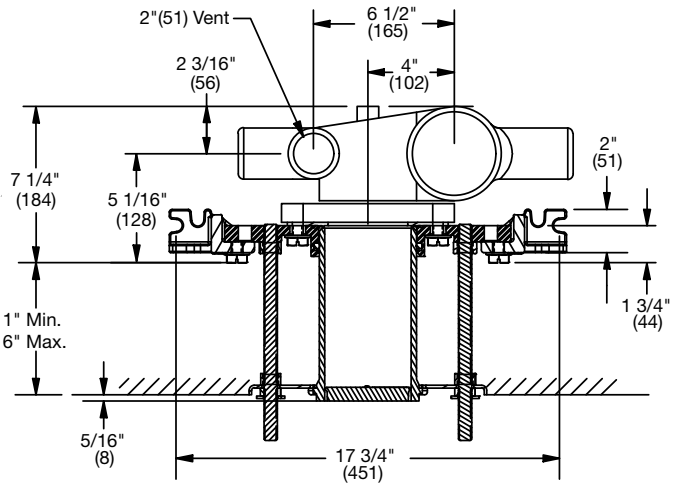
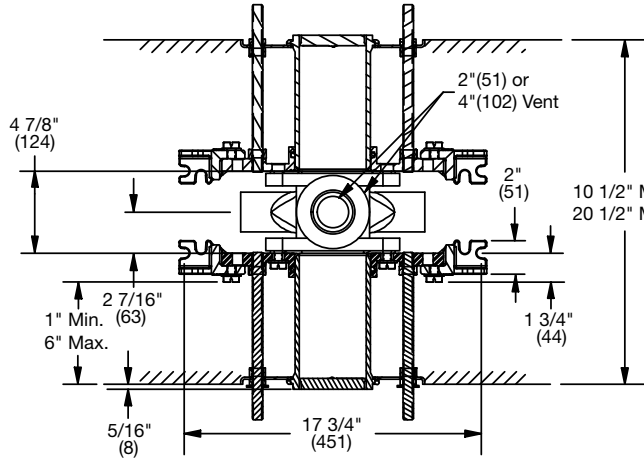
QT-141-4

Consult factory for all pricing and applications outside of listed parameters.

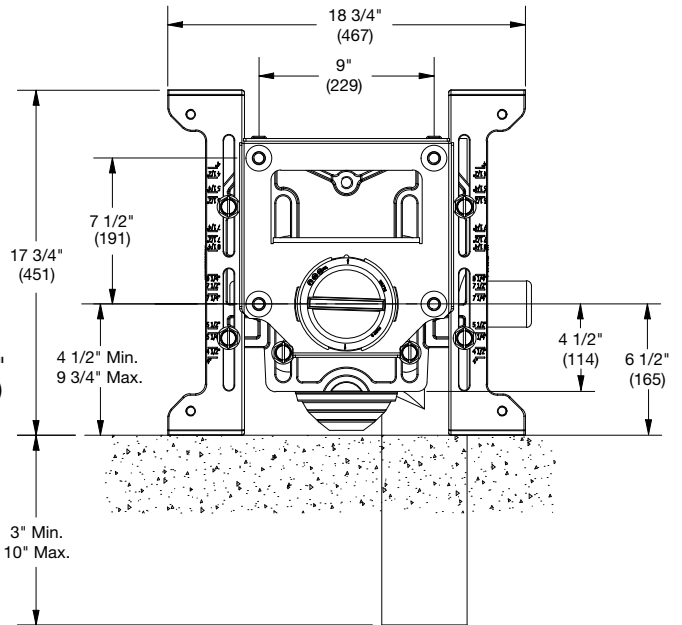
Prices do not include applicable taxes.



QT QuickTurn™ Water Closet Carriers

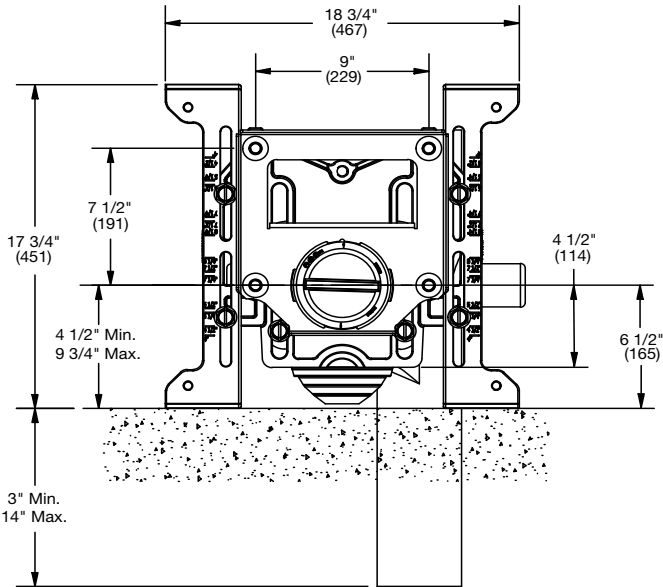
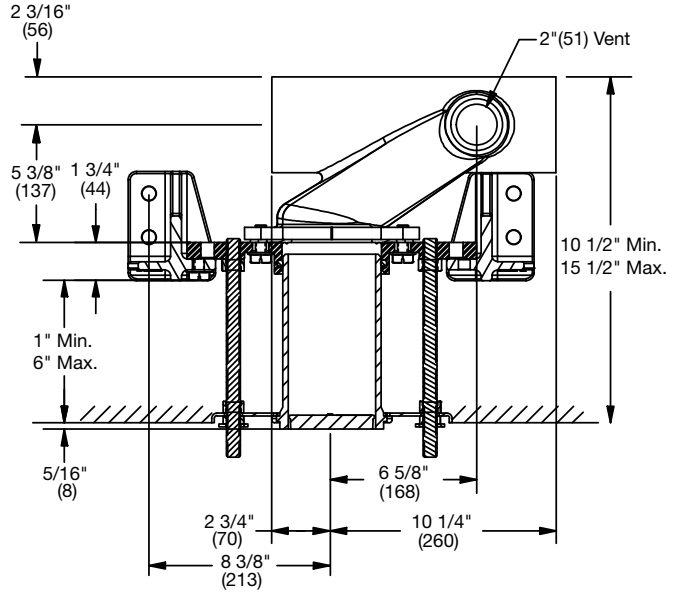
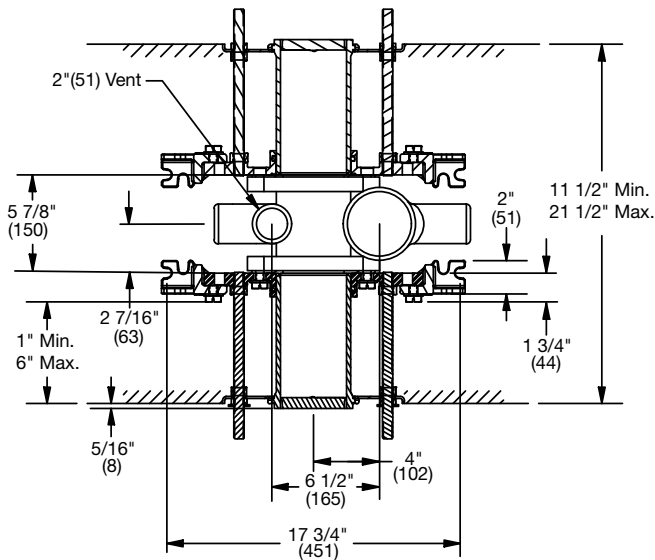


QT-141-4-D

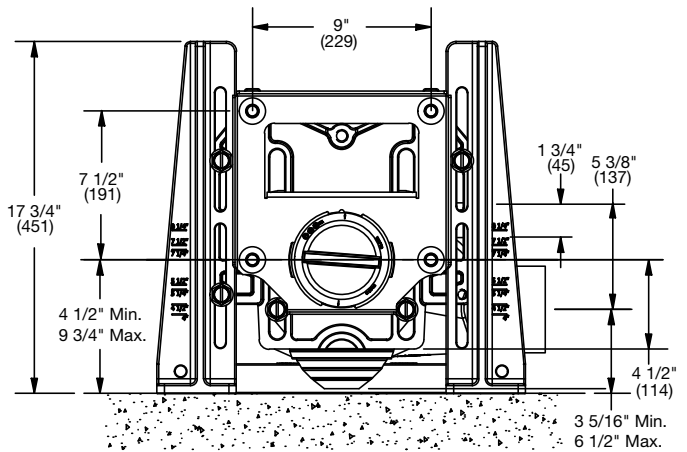


QT-151-L/R

QT QuickTurn™ Water Closet Carriers



QT-151-D



QT-161-L/R

Consult factory for all pricing and applications outside of listed parameters.

Prices do not include applicable taxes.



Fixture Carriers

Wall Hung Fixture Carriers

Wall hung fixture carriers provide structural support for off-the-floor lavatories, urinals, water coolers, and service sinks. Floor mounted carriers are anchored to the structural floor, and work independently of the wall structure. Wall mounted carriers may be suitable in some light commercial or residential applications, provided they are securely fastened to a suitable structural wall.

Lavatory Carriers

Floor mounted lavatory carriers are recommended for installation of all wall hung lavatories. Lavatories attached to a wall with only a fixture mounting bracket will eventually become unstable, causing damage to the wall, and creating a hazardous condition.

Lavatories are most commonly designed for installation with a concealed arm carrier. Concealed arm carriers have supporting arms that extend through cavities in the back of the fixture, and are entirely hidden by the lavatory and the wall. For aesthetic reasons, concealed arm carriers are preferred in commercial construction.

Watts patented TCA-411 "Track" Lavatory Concealed Arm Carriers are specifically designed for block wall construction. In commercial construction, floor mounted lavatory carriers are typically mounted behind a block wall. Standard TCA-411 nipples extend through the wall, and arms adjust horizontally, with the carrier anchored to the floor. These unique features greatly reduce installation time and labor in block wall construction.

Less common plate type or exposed arm carriers may be required for specific lavatories. Plate type carriers bolt directly to the fixture mounting bracket. Exposed arm carriers are designed with L-shaped support brackets, which extend from the carrier, and bolt to the underside of the fixture.

Urinal & Water Cooler Carriers

Urinal and water coolers are floor mounted plate type carriers, recommended for all commercial construction. These carriers bolt directly to the fixture mounting bracket(s), and are entirely concealed by the fixture and the wall.

Service Sink Carriers

Service sink carriers are specified in clinical applications, to support flushing rim, or surgical scrub sinks. Similar in function to water closet carriers, service sink carriers provide structural support, and facilitate a connection to the waste line.

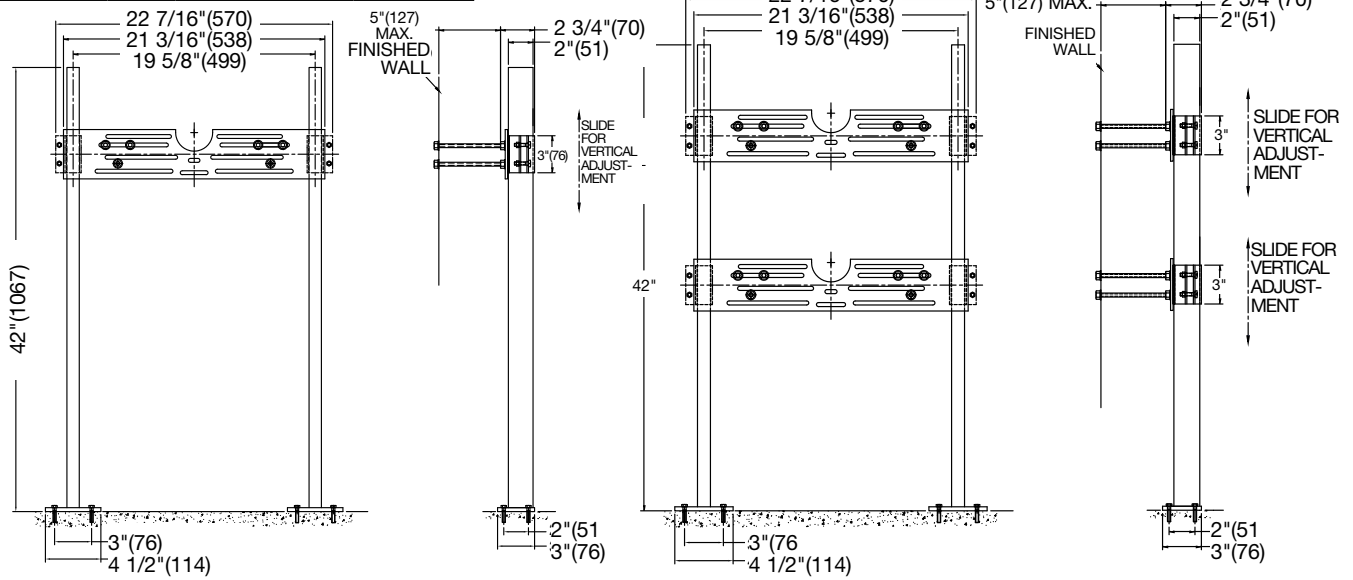


Lavatory/Urinal Carriers

CA-311, 321

Urinal Carriers

Model Number	Wt. Lbs.	Description	List Price
CA-311	26	Single Plate	\$1,220.00
CA-321	26	with Bearing Plate	1,358.00



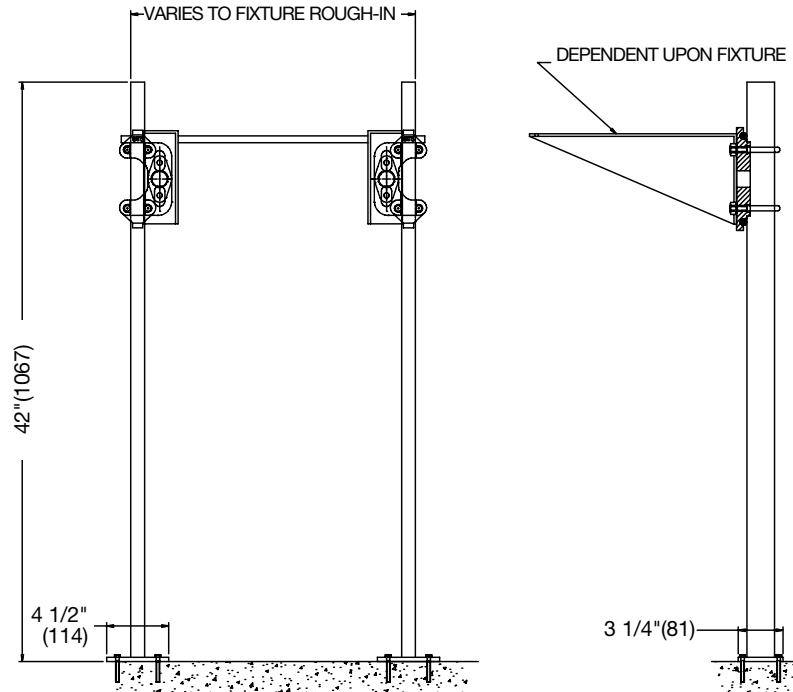
CA-311

CA-321

CA-401

Floor Mounted Lavatory Carrier with Exposed Arms

Model Number	Description	List Price
CA-401	Single, Exposed Arms	CF**



Consult factory for all pricing and applications outside of listed parameters.

Prices do not include applicable taxes.



Lavatory Carriers

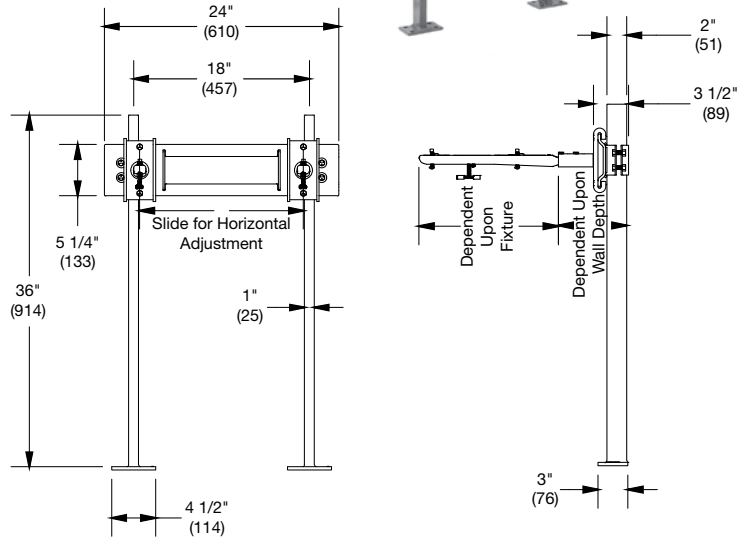
TCA-411

Floor Mounted "Track" Lavatory Carrier w/Concealed Arms

Model Number	EDP#	Wt., Lbs.	Description	List Price
TCA-411	8201149	35	Single, Concealed Arms	\$2,003.00
TCA-411-D	8201150	60	Back to Back, Concealed Arms	2,925.00
TCA-411-WC	8201560	37	Single, Concealed Arms, 27 x 20 Lavatory	2,106.00
TCA-411-D-WC	8201303	64	Double, Concealed Arms, 27x20 Lavatory	3,128.00

Options for TCA-411

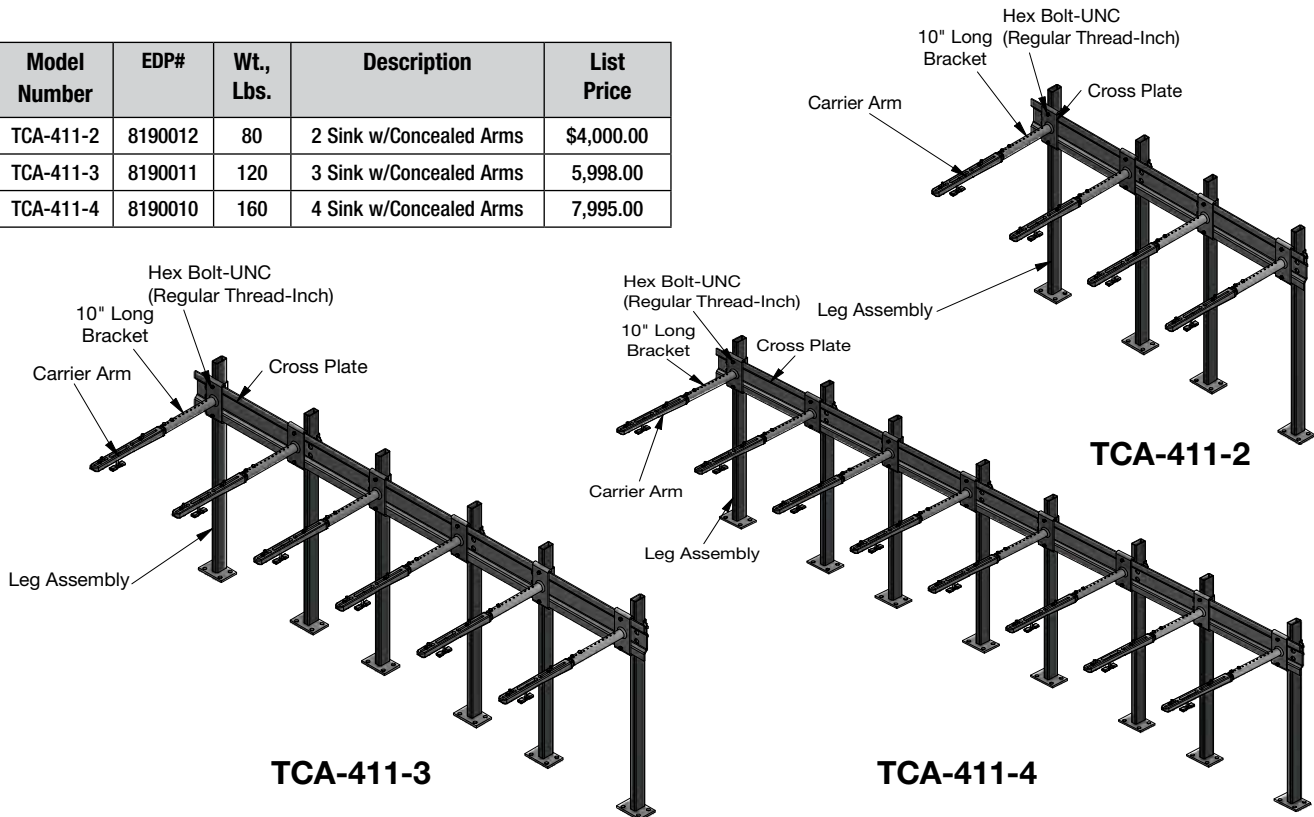
Suffix	Description	List Price
-CI	Arms for Cast Iron Lavatory	No Add
-M54	2" Chrome Plated Escutcheons, Single	\$267.50
	2" Chrome Plated Escutcheons, Double	533.00
-M55	4" Chrome Plated Escutcheons, Single	485.00
	4" Chrome Plated Escutcheons, Double	968.50
-M60	Valve Support Plate, Single	245.00
	Valve Support Plate Double	484.00



TCA-411-2/3/4

Floor Mounted "Track" Extended Lavatory Carrier with Concealed Arms

Model Number	EDP#	Wt., Lbs.	Description	List Price
TCA-411-2	8190012	80	2 Sink w/Concealed Arms	\$4,000.00
TCA-411-3	8190011	120	3 Sink w/Concealed Arms	5,998.00
TCA-411-4	8190010	160	4 Sink w/Concealed Arms	7,995.00



Lavatory Carriers

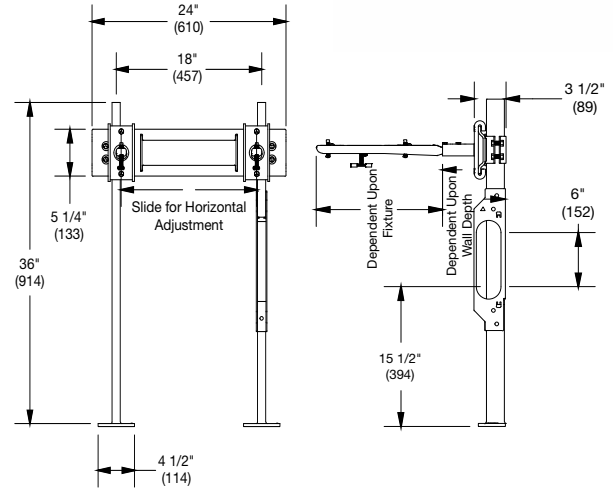
TCA-411-WLA/WCA-411-WLA Lavatory Carrier with Waste Line Access

Model Number	EDP#	Wt., Lbs.	Description	List Price
TCA-411-WLA	8201171	35	Single, Concealed Arms w/Waste Line Access	\$2,682.00
TCA-411-D-WLA	8201172	60	Back to Back, Concealed Arms w/Waste Line Access	3,473.00
WCA-411-WLA	8201200	37	Single, Concealed Arms, 27 x 20 Lavatory w/Waste Line Access	2,564.00
WCA-411-D-WLA	8201201	64	Double, Concealed Arms, 27x20 Lavatory w/Waste Line Access	3,243.00



Options for TCA-411-WLA

Suffix	Description	List Price
-CI	Arms for Cast Iron Lavatory	No Add
-M54	2" Chrome Plated Escutcheons, Single	\$267.50
	2" Chrome Plated Escutcheons, Double	533.00
-M55	4" Chrome Plated Escutcheons, Single	485.00
	4" Chrome Plated Escutcheons, Double	968.50
-M60	Valve Support Plate, Single	245.00
	Valve Support Plate Double	484.00



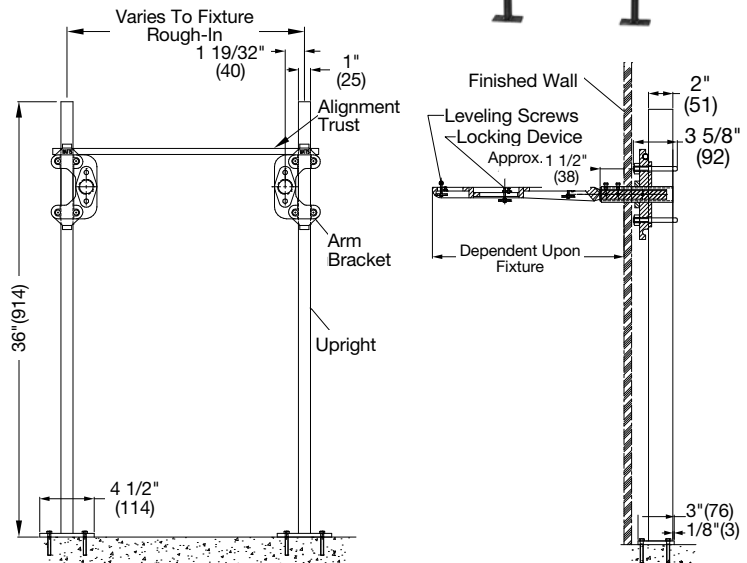
WCA-411 Floor Mounted Lavatory Carrier w/Concealed Arms

Model Number	EDP#	Wt., Lbs.	Description	List Price
WCA-411	8133205	35	Single, Concealed Arms	\$1,604.00
WCA-411-D	8133213	60	Back to Back, Concealed Arms	2,283.00
WCA-411-WC	8133225	37	Single, Concealed Arms, 27 x 20 Lavatory	1,712.00
WCA-411-D-WC	8133212	64	Double, Concealed Arms, 27x20 Lavatory	2,497.00



Options for WCA-411

Suffix	Description	List Price
-CI	Arms for Cast Iron Lavatory	No Add
-M54	2" Chrome Plated Escutcheons, Single	\$267.50
	2" Chrome Plated Escutcheons, Double	533.00
-M55	4" Chrome Plated Escutcheons, Single	485.00
	4" Chrome Plated Escutcheons, Double	968.50
-M60	Valve Support Plate, Single	245.00
	Valve Support Plate Double	484.00



Consult factory for all pricing and applications outside of listed parameters.

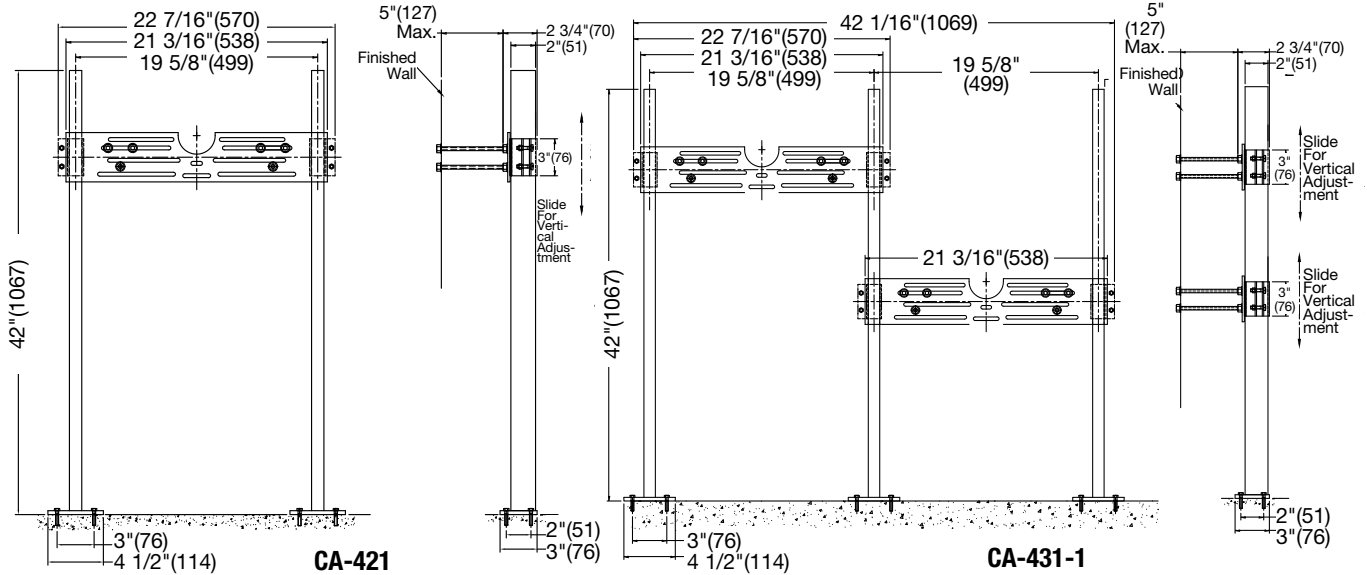
Prices do not include applicable taxes.



Lavatory/Water Cooler Carriers

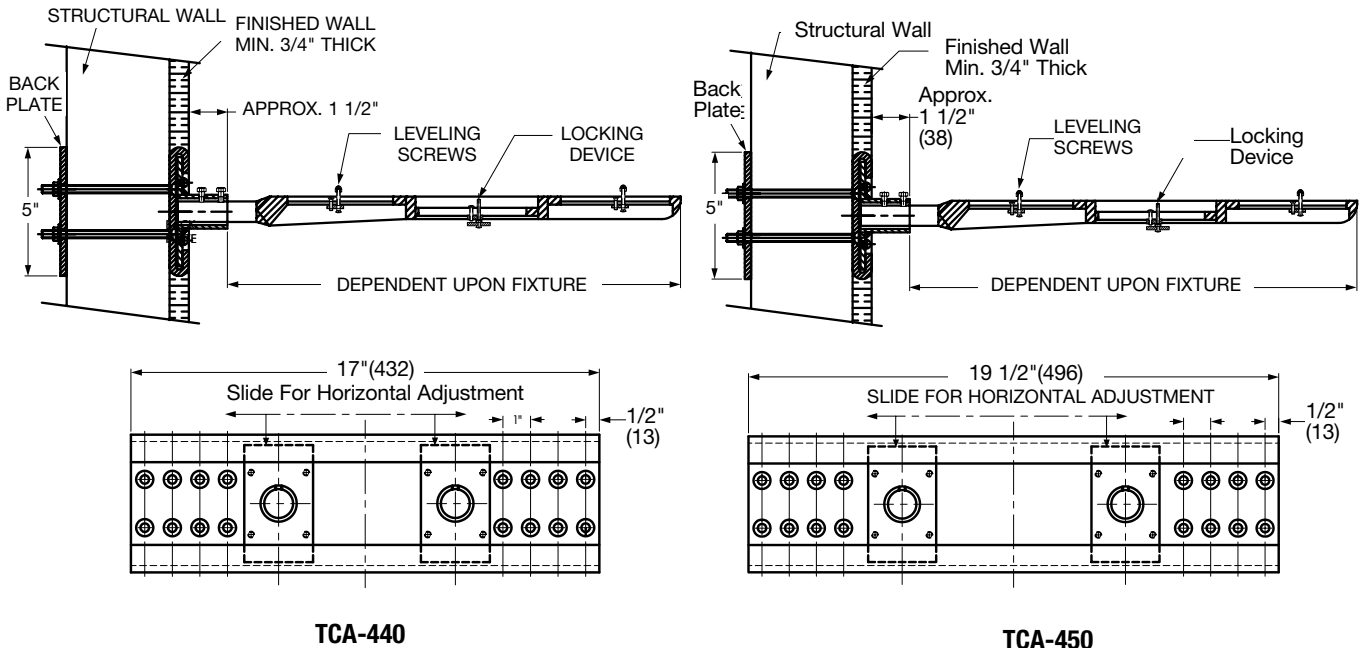
CA-421 Floor Mounted Plate Type Lavatory/
CA-431-1 Water Cooler Carrier

Model Number	Wt., Lbs.	Description	List Price
CA-421	28	Plate Type for Lavatory/Water Cooler	\$1,220.00
CA-431-1	50	Plate Type for Hi-Low Water Cooler	1,966.00



TCA-440 Wall Mounted "Track" Lavatory Carrier
TCA-450 with Concealed Arms

Model Number	EDP#	Wt., Lbs.	Description	List Price
TCA-440	8187152	28	Concealed Arms, Standard Lavatory	\$1,238.00
TCA-450	8187153	30	Concealed Arms, 27x20 Lavatory	1,305.00

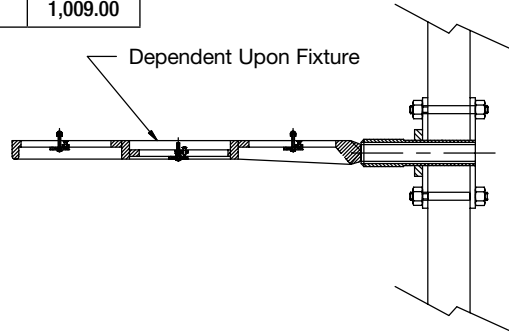
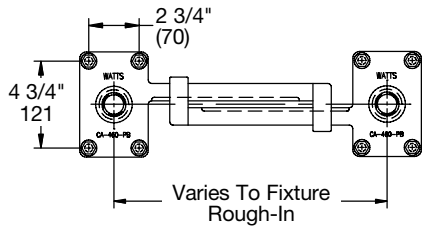


Lavatory/Service Sink Carriers

CA-461
CA-462

Wall Mounted Concealed Arm Lavatory Carriers

Model Number	EDP#	Wt., Lbs.	Description	List Price
CA-461	8133254	30	Concealed Arms with Back Plate	\$1,211.00
CA-462	8133260	24	Concealed Arms	1,009.00

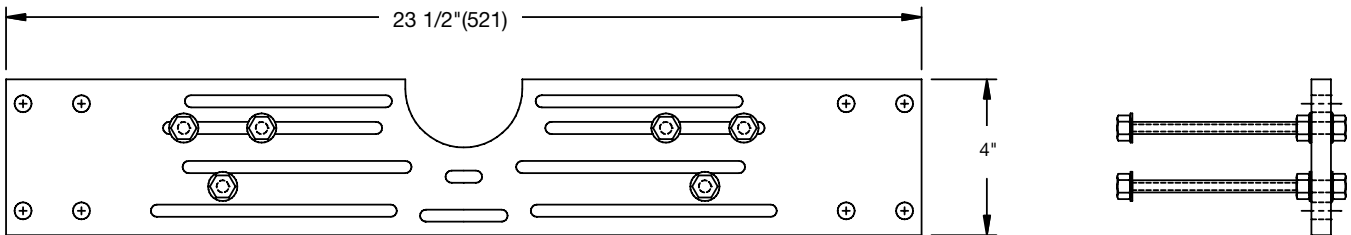


Note: See CA-411 Options page 208.

CA-481

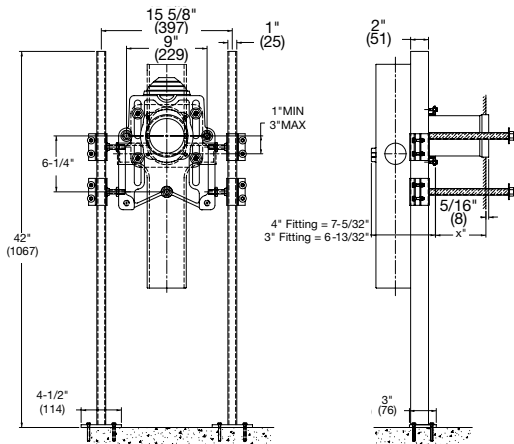
Wall Plate

Model Number	EDP#	Description	List Price
CA-481	8133262	Wall Plate with Studs	\$338.50

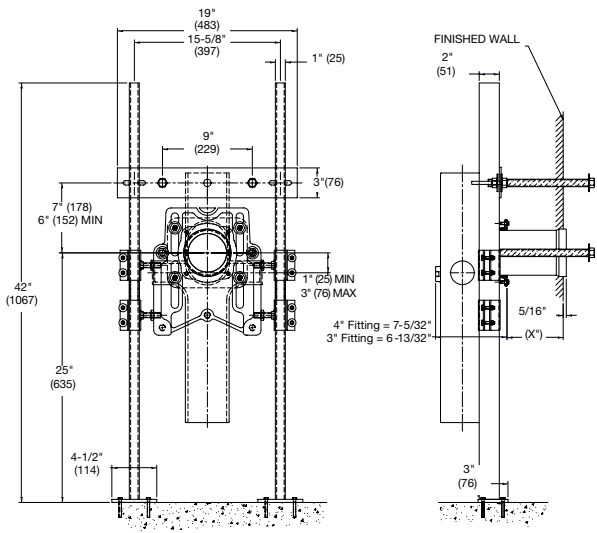


ISCA-550, ISCA-560 Service Sink Carriers

Model Number	EDP#	Wt., Lbs.	Description	List Price
ISCA-550-3	8187116	60	3" Waste, 2" Vent	\$2,315.00
ISCA-550-4-V2	8187117	60	4" Waste, 2" Vent	2,315.00
ISCA-550-4-V4	8187118	60	4" Waste, 4" Vent	2,315.00
ISCA-560-3	8187119	60	3" Waste, 2" Vent	2,315.00
ISCA-560-4-V2	8187120	60	4" Waste, 2" Vent	2,315.00
ISCA-560-4-V4	8187121	60	4" Waste, 4" Vent	2,315.00



ISCA-550



ISCA-560

Consult factory for all pricing and applications outside of listed parameters.

Prices do not include applicable taxes.



Notes

Notes





Watts Drainage Solutions are engineered to deliver superior performance for commercial drainage designers, specifiers, and installers. Anchored by innovative designs and unique functionality, our Specification Drainage, Orion Chemical Waste, and BLÜCHER Stainless Steel drainage systems satisfy the most demanding industry requirements.

Watts Drainage offers a complete line of specification drainage products.

- Cleanouts
- Dead Level® Trench Drains
- Fixture Carriers
- Floor & Area Drains
- Green Roof Drains
- Hydrants
- Interceptors
- Parking Deck Drains
- Light Commercial
- Roof Drains
- Sanitary Floor Sinks
- Specialties

To locate your nearest Watts representative, please click on our *find a sales rep* locator on watts.com.

Represented by:

