

Engineering Specification

Job Name _____

Contractor _____

Job Location _____

Approval _____

Engineer _____

Contractor's P.O. No. _____

Approval _____

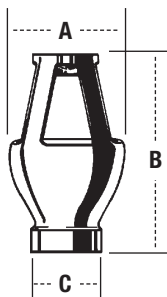
Representative _____

Air Gaps, Elbows and Test Cocks for Reduced Pressure Zone Assemblies

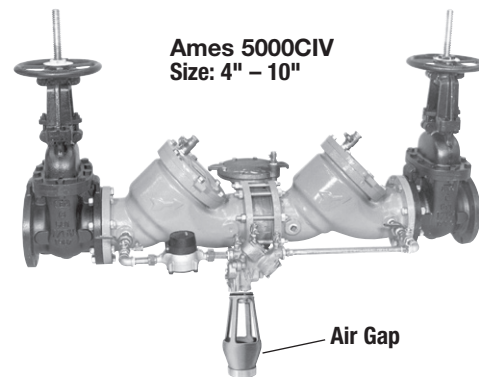
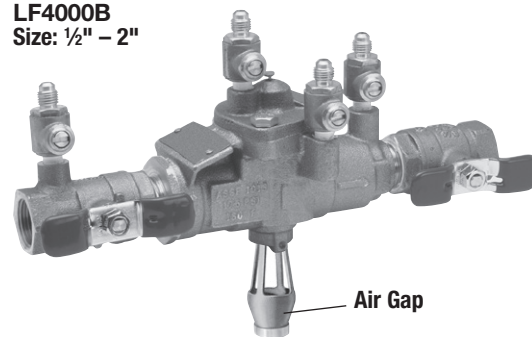
Air Gaps

The Ames Air Gap Drain is designed to collect water that is being discharged by the relief valve, due to minor check valve fouling and/or to line pressure fluctuations.

Ames 400/500 Air Gap
2 1/2" - 10"



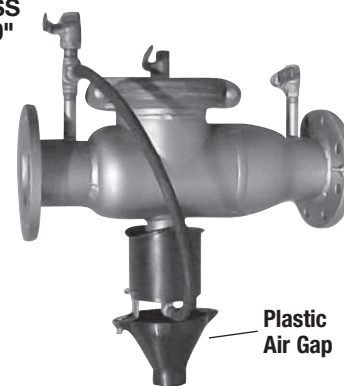
Ames 4000B/ LF4000B
Size: 1/2" - 2"



Ames 5000CIV
Size: 4" - 10"

ORDERING CODE	SIZES/SERIES	DIMENSIONS						WEIGHT	
		A		B		C		lbs	kgs
		in.	mm	in.	mm	in.	mm		
7014267	1/2", 3/4" 4000B/LF4000B	2 3/8	60	3 1/8	79	1/2	13	.63	.28
0691853	1", 1 1/4", 1 1/2" 4000B/LF4000B	3 1/4	83	4 7/8	124	1	25	1.50	.68
0691866	2" 4000B/LF4000B	4 3/8	111	6 3/4	171	2	51	3.25	1.47
0691842	2 1/2" - 10" 4000SS/5000SS	8	203	11 1/4	286	2	51	1.50	0.68
7014384	3" - 6" 4001/5001	8	203	11 1/4	286	5/4	146	1.50	0.68
7017299	4" - 10" 4000CIV	6 3/8	162	9 5/8	244	3	76	6.25	2.83
0690511	2 1/2" - 6" 4000SS vertical	8	203	9 1/4	235	2 3/4	70	10.3	4.67
7011361	4000RP/5000RPDA (epoxy)	10 3/4	273	6 1/4	159	2 5/8	67	6.7	3.04
7019628	2 1/2" - 10" 400/500 w/Splash Guard	7 1/2	190	12	304	2	51	1.5	.68
7018894	2 1/2" - 10" 400/500 Splash Guard	4 11/16	119	2 7/16	62	—	—	.5	.23
0064661	3/4"-1" 400B AG	2 3/8	60	3 1/8	79	1/2	13	0.63	0.28
0064662	1 1/4"-2" 400B AG	4 3/8	111	8 1/2	216	2	51	3.5	1.6

Ames 4000SS
Size: 2 1/2" - 10"



Plastic Air Gap

NOTICE

The Air Gap Drain is not designed to collect the full discharge capacity of the relief valve.

NOTICE

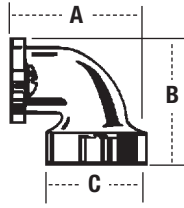
The information contained herein is not intended to replace the full product installation and safety information available or the experience of a trained product installer. You are required to thoroughly read all installation instructions and product safety information before beginning the installation of this product.

Ames Fire & Waterworks product specifications in U.S. customary units and metric are approximate and are provided for reference only. For precise measurements, please contact Ames Fire & Waterworks Technical Service. Ames Fire & Waterworks reserves the right to change or modify product design, construction, specifications, or materials without prior notice and without incurring any obligation to make such changes and modifications on Ames Fire & Waterworks products previously or subsequently sold.

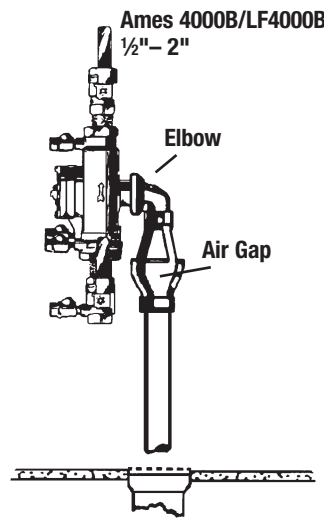


Vent Elbows

Used with Ames air gaps for vertical installation of reduced pressure zone assemblies.

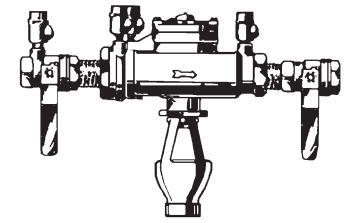


ORDERING CODE	SIZES/SERIES	DIMENSIONS						WEIGHT	
		A		B		C		lbs	kgs
		in.	mm	in.	mm	in.	mm		
7012798	1/2" - 3/4" 4000B/LF4000B	—	—	—	—	—	—	—	—
7012799	1", 1 1/4", 1 1/2" 4000B/LF4000B	2 3/8	60	2 3/8	60	—	—	.38	.17
7016586	2" 4000B/LF4000B	3 3/8	92	3 3/8	92	—	—	2	.91



Vertical (Up) Installation of Backflow Preventer

For vertical installations use the optional elbows as shown.



Horizontal Installation

The air gap is easily installed to the bottom of the Series 4000B backflow assembly by attaching it to the outlet of the relief valve using screws.

NOTICE

Most jurisdictions do not allow vertical installation. Inquire with governing authorities for local installation requirements.

Installation Elbows

Cast Iron Elbow Kits — for N pattern Colt & Maxim Series 200 & 300

LEAD FREE	ORDERING CODE	SIZE
		7018538
	7018539	3"
	7018540	4"
	7018541	6"
	7018542	8"
	7018543	10" **

**Kits not available for Butterfly valve units
Kits consist of: *(2) grv x grv elbows and (2) Groove Couplers

Cast Iron Elbow Kits — for N and Z pattern Colt & Maxim Series 400 & 500

LEAD FREE	ORDERING CODE	SIZE
		7018544
	7018545	3"
	7018546	4"
	7018547	6"
	7018548	8"
	7018549	10" **

**Kits not available for Butterfly valve units
Kits consist of: *(2) grv x grv elbows and (2) Groove Couplers

Cap & Tether

Plastic cap and tether

(four required per backflow preventer)

- Fits 1/4" female test cocks
- Plastic dust cap and rubber tether
- ARK-TC/Ames - 1/8" - 1/4" (7017626)



SAE Brass Cap, O-ring and tether

(four required per backflow preventer)

- Fits 1/8" male x SAE test cocks
- Brass dust cap with O-ring seal and rubber tether
- ARK-SAE-TC/Ames (7017249)



Test Cock Adapter

SAE-TC Adapter/Ames

- 1/4" female SAE x 7/16" FPT
- Adapts to SAE-TC for use with pressure gauges or site tube
- SAE-TC Adapter/Ames (7017627) (not shown)

Test Cocks

For use with backflow preventers, isolation valve for gauges, isolation valves for small equipment lines. Lead Free* models available.

TC/Ames

- Full port ball valve design
- Screw driver slot to open and close
- Available 1/8" male x 1/4" female — 1/8 TC/Ames (7017250) or 1/4" male x 1/4" female — 1/4" LFTC/Ames (0425363)



SAE-TC/Ames

- Full port ball valve design
- Screwdriver slot operation
- 1/8" male x SAE — LFSAE TC/Ames (0425362)

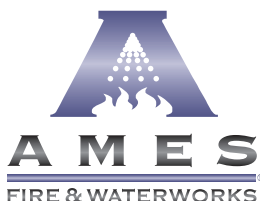


1/2" TC Kit for Ames Colt/Maxim Series

- Fits 2 1/2"-4" Colt/Maxim Series
- Ordering Code: 7018394

3/4" TC Kit for Ames Colt/Maxim Series

- Fits 6"-10" Colt/Maxim Series
- Ordering Code: 7018395



A WATTS Brand

USA: Backflow T: (978) 689-6066 • F: (978) 975-8350 • AmesFireWater.com
USA: Control Valves T: (713) 943-0688 • F: (713) 944-9445 • AmesFireWater.com
Canada: T: (888) 208-8927 • F: (905) 332-7068 • AmesFireWater.ca
Latin America: Tel: (52) 55-4122-0138 • AmesFireWater.com