

Job Name _____
Job Location _____
Engineer _____
Approval _____

Contractor _____
Approval _____
Contractor's P.O. No. _____
Representative _____

Maxim™ Series M300Na, (Maxim 300Na) Double Check Detector Assemblies Sizes: 2½" – 4" (65 – 100mm)

The Maxim M300Na Double Check Detector Assemblies are used to prevent backflow of pollutants, that are objectionable but not toxic, from entering the potable water supply system. The Maxim M300Na may be installed under continuous pressure service and may be subjected to backpressure. The Maxim M300Na are used primarily on fire line sprinkler systems when it is necessary to monitor unauthorized use of water. For use in non-health hazard applications.

Features

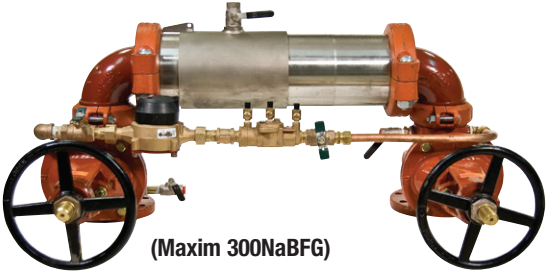
- Extremely Compact Design
- 70% Lighter than Traditional Designs
- 304 (Schedule 40) Stainless Steel Housing & Sleeve
- Groove Fittings Allow Integral Pipeline Adjustment
- Patented Bi-Link Check Provides Lowest Pressure Loss
- Unmatched Ease of Serviceability
- Available with Grooved Butterfly Valve Shutoffs
- Available for N Pattern Installations
- Replaceable Check Disc Rubber

Specifications

The Double Check Detector Assemblies shall consist of two independent Bi-Link Check modules within a single housing, sleeve access port, four test cocks and two drip tight shutoff valves. Bi-Link Checks shall be removable and serviceable, without the use of special tools. The housing shall be constructed of 304 (Schedule 40) stainless steel pipe with groove end connections. Bi-Link Checks shall have reversible elastomer discs and in operation shall produce drip tight closure against the reverse flow of liquid caused by backpressure or backsiphonage. The bypass assembly consists of a meter, which registers in either gallon or cubic measurements, a double check valve assembly and required test cocks. Assembly shall be a Maxim M300Na as manufactured by the Ames Fire & Waterworks.



M300Na



(Maxim 300NaBFG)

NOTICE

The information contained herein is not intended to replace the full product installation and safety information available or the experience of a trained product installer. You are required to thoroughly read all installation instructions and product safety information before beginning the installation of this product.

WARNING

It is illegal to use this product in any plumbing system providing water for human consumption, such as drinking or dishwashing, in the United States. Before installing standard material product, consult your local water authority, building and plumbing codes.

Ames Fire & Waterworks product specifications in U.S. customary units and metric are approximate and are provided for reference only. For precise measurements, please contact Ames Fire & Waterworks Technical Service. Ames Fire & Waterworks reserves the right to change or modify product design, construction, specifications, or materials without prior notice and without incurring any obligation to make such changes and modifications on Ames Fire & Waterworks products previously or subsequently sold.



Configurations

- "N" pattern horizontal

Materials

- Housing & Sleeve: 304 (Schedule 40) Stainless Steel
- Elastomers: EPDM and Buna-N
- Bi-Link Checks: Noryl®, Stainless Steel
- Check Discs: Reversible EPDM
- Test Cocks: Bronze Body Nickel Plated
- Pins & Fasteners: 300 Series Stainless Steel
- Springs: Stainless Steel

Available Models

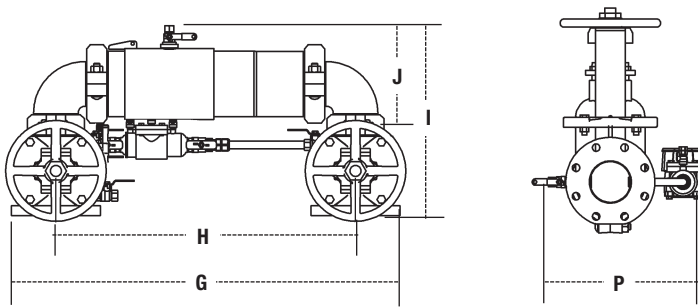
- OSY - UL/FM flanged outside stem and yoke resilient seated gate valves
- BFG - UL/FM grooved gear operated butterfly valves w/ tamper switch
- *OSY FxG - Flanged inlet gate connection and grooved outlet gate connection
- *OSY GxF - Grooved inlet gate connection and flanged outlet gate connection
- *OSY GxG - Grooved inlet gate connection and grooved outlet gate connection

Available with grooved NRS gate valves - consult factory*
 Post indicator plate and operating nut available - consult factory*
 *Consult factory for dimensions

Pressure – Temperature

Temperature Range: 33°F – 110°F (0.5°C – 43°C)
 Maximum Working Pressure: 175 psi (12.1 bar)

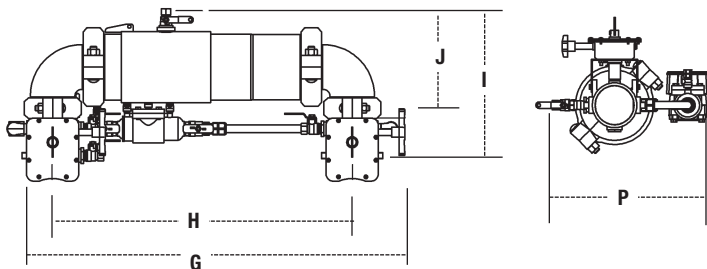
Dimensions – Weights



M300Na

SIZE (DN)		DIMENSIONS										WEIGHT	
IN	MM	G		H		I		J		P		M300Na	
		IN	MM	IN	MM	IN	MM	IN	MM	IN	MM	LBS.	KGS.
2½	65	29 ¹ / ₁₆	738	22¾	578	15 ¹³ / ₁₆	402	8 ¹³ / ₁₆	223	13 ³ / ₁₆	335	147	67
3	80	30½	775	22¾	578	17 ¹ / ₈	435	9 ⁹ / ₁₆	223	14½	368	172	78
4	100	39¾	1010	30¾	781	20 ⁹ / ₈	518	11 ¹¹ / ₁₆	297	15 ⁵ / ₁₆	386	256	116

Note: For 2½" - 4" horizontal/vertical instructions, send for literature ES-A-M-300/300N.



M300NaBFG

SIZE (DN)		DIMENSIONS										WEIGHT	
IN.	MM	G		H		I		J		P		M300NaBFG	
		IN.	MM	IN.	MM	IN.	MM	IN.	MM	IN.	MM	LBS.	KGS.
2½	65	29 ⁷ / ₈	759	22½	562	14 ¹⁵ / ₁₆	379	8 ¹³ / ₁₆	223	13	330	78	35
3	80	30¾	781	22¾	578	15 ⁷ / ₁₆	392	9¾	233	13½	343	81	37
4	100	39	991	30¾	781	18	457	11 ¹¹ / ₁₆	297	15	381	156	71

Note: For 2½" - 4" horizontal/vertical instructions, send for literature ES-A-M-300/300N.

Noryl® is a registered trademark of SABIC Innovative Plastics™.

Approvals

- Approved by the Foundation for Cross-Connection Control and Hydraulic Research at The University of Southern California (FCCCHR-USC) (Excluding 6" Z Pattern configuration)
- AWWA C551-92

For additional approval information please contact the factory or visit our website at www.amesfirewater.com



1048



28S6



B64.5



Approved

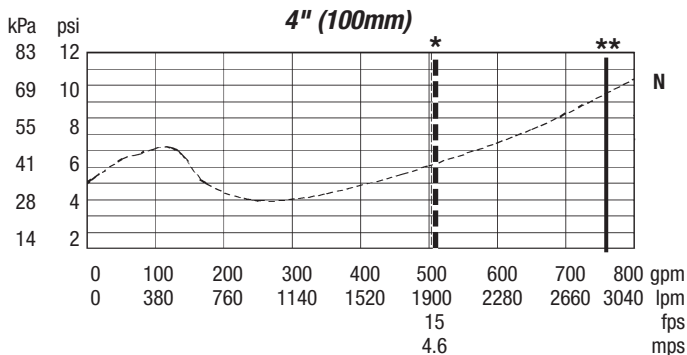
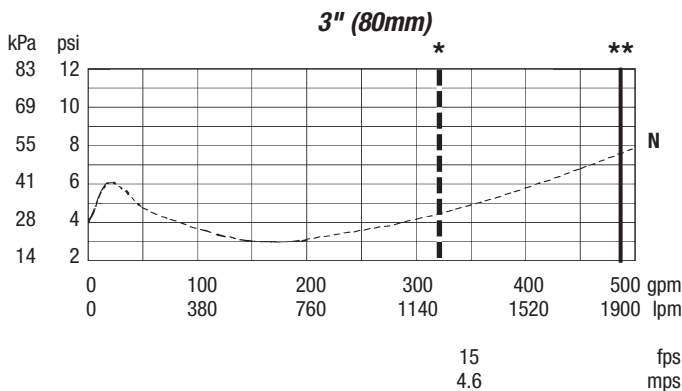
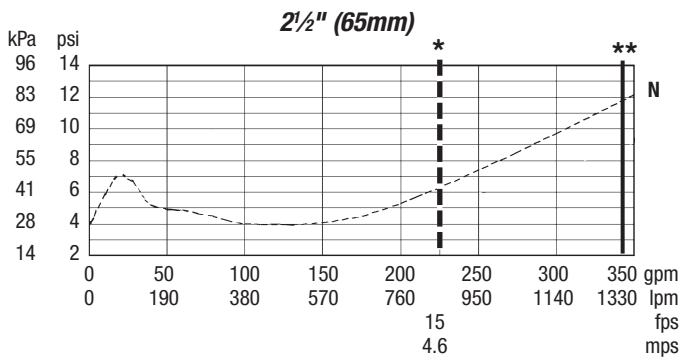
Capacity

UL/FM Certified Flow Characteristics

Flow characteristics collected using butterfly shutoff valves.

See literature S-MAXIM-200, 300 for gate valve flow characteristics

* = Rated flow ** = UL Tested ----- = N-Pattern



NOTICE

Inquire with governing authorities for local installation requirements

For additional information, visit our web site at: www.amesfirewater.com



A WATTS Brand

USA: Backflow Tel: (978) 689-6066 • Fax: (978) 975-8350 • AmesFireWater.com
USA: Control Valves Tel: (713) 943-0688 • Fax: (713) 944-9445 • AmesFireWater.com
Canada: Tel: (905) 332-4090 • Fax: (905) 332-7068 • AmesFireWater.ca
Latin America: Tel: (52) 81-1001-8600 • AmesFireWater.com