

# POWERS

A WATTS INDUSTRIES CO.

## INSTALLATION INSTRUCTIONS

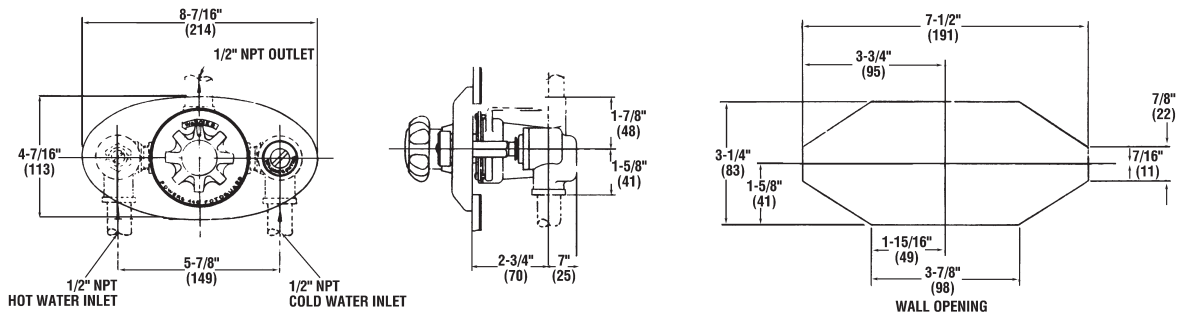
### SERIES 440 FOTOGUARD AND 440 SUPPLY FIXTURES

#### INSTALLATION INSTRUCTIONS

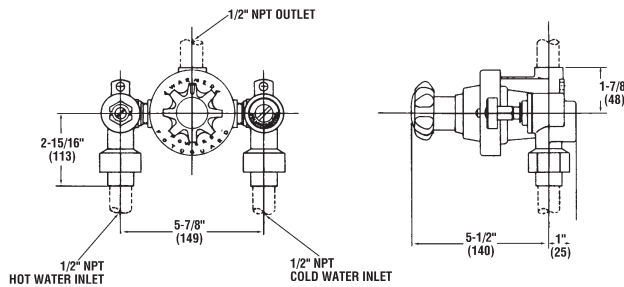
1. Flush all piping thoroughly before installing.
2. Facing front of mixer, connect hot water to left side (marked HOT) and cold water to right side (marked COLD). Inlet connections must be piped correctly for proper operation of Fotoguard.
3. If copper tubing is used, do not apply heat within 12" (30.5 cm) of Fotoguard. Excessive heat will damage internal parts of Fotoguard.

#### Dimensions - inches (millimeters)

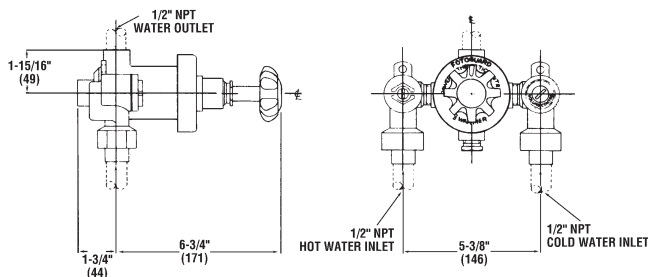
##### SERIES 440 STANDARD FOTOGUARD - CONCEALED



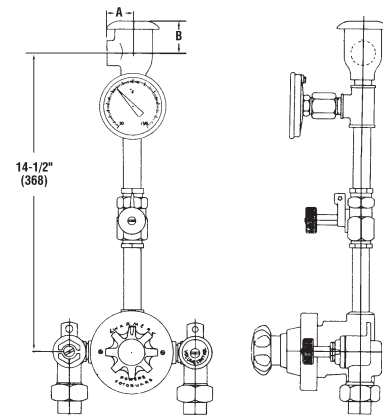
##### SERIES 440 STANDARD FOTOGUARD - FOR EXPOSED PIPING



##### SERIES 440 FOTOGUARD HIGH CAPACITY



##### 440-SUPPLY FIXTURES



A=13/8" (35)  
B=13/4" (44)

Piping dimensions above are the same for both the 131-1575 and the 131-1813.

#### CALIFORNIA PROPOSITION 65 WARNING

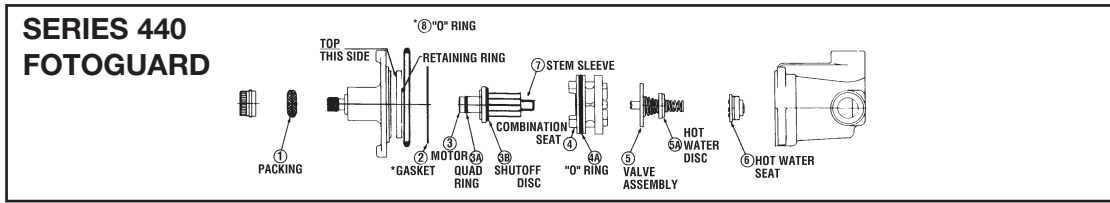
**WARNING:** This product contains chemicals known to the State of California to cause cancer and birth defects or other reproductive harm. (Installer: California law requires that this warning be given to the consumer.)

For more information: [www.wattsind.com/prop65](http://www.wattsind.com/prop65)

**TROUBLESHOOTING AND REPAIR**

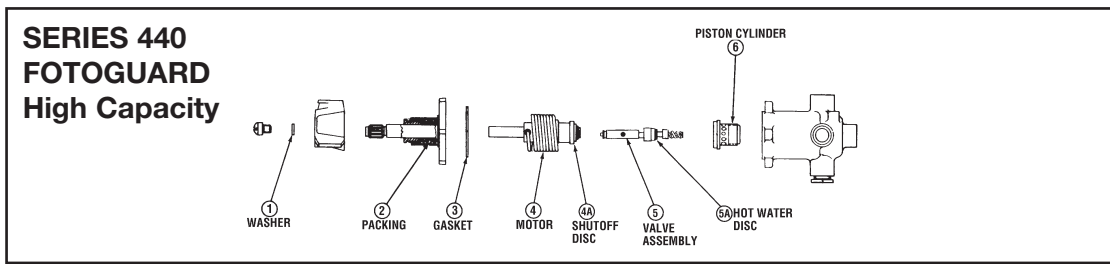
To determine model number of Hydroguard, refer to nameplate on body assembly.

5
Y4  
↑
↑  
 Model Number                      Date of Manufacture



TROUBLESHOOTING		RECOMMENDED REPAIR KIT
<b>Gasket and Disc Replacement</b>	1. Water leak at stem and/or bonnet (Item 1 for models 4, 5, 6, and 7) 2. Flow of water continues after mixer is turned off	<b>227-338</b> Includes items: 1, 2, 3A, 3B, 4A, & 8
<b>Motor Replacement</b>	3. Variable or untempered discharge temperature	(65-115°F) <b>227-339</b> Includes items: 2, 3, 3A, 3B, 7, & 8
<b>Valve and Hot Water Seat Replacement</b>	4. Flow of water continues after mixer is turned off due to worn to hot water seat (6) 5. Variable discharge temperature continues after replacement of motor (3)	<b>227-340</b> (Models 5, 6, & 7) Includes items: 2, 4A, 5, 6, 7, & 8
<b>Combination Seat Replacement Std. Cap.</b>	6. Flow of water continues after mixer is turned off and shutoff disc (3B) and/or hot water seat (6) has been replaced	<b>227-351</b> Includes items: 2, 4, 4A, & 8
<b>High Capacity Kit</b>	7. To increase capacity of mixer to 9.0 gpm @ 45 psi diff. (0.57 l/s @ 310 kPa)	<b>227-431</b> (Models 5, 6, & 7) Includes items: 2, 4, 4A, 5, 6, & 8
<b>Low Capacity Kit</b>	8. To decrease capacity of mixer to 1.5 gpm @ 45 psi diff. (0.061 l/s @ 310 kPa)	<b>227-445</b> (Models 5, 6, & 7) Includes items: 2, 4, 4A, 5, 6, & 8

For parts not covered above, refer to *Technical Instruction Form MV440-2*.



TROUBLESHOOTING		RECOMMENDED REPAIR KIT
<b>Gasket and Disc Replacement</b>	1. Water leak at stem and/or bonnet (Item 1 for models 4, 5, 6, and 7) 2. Flow of water continues after mixer is turned off	<b>225-357</b> Includes items: 1, 2, 3, 4A, & 5A
<b>Valve and Cylinder Replacement</b>	3. Variable or untempered discharge temperature (Lime deposits can be removed with the use of various commercially available products designed for this purpose.)	<b>225-393*</b> Includes items: 3, 5, 5A, & 6
<b>Motor Replacement</b>	4. If items 5 and 6 are free of lime and free-moving and discharge temperature is variable or untempered	<b>225-395</b> Includes items: 3, 4, and 4A

For easy removal of piston cylinder (item 6), order special wrench, part no. 225-350.  
 For parts not covered above, refer to *Technical Instruction Form MV440-2*.  
 \* The valve assembly (5) and cylinder (6) must both be replaced at the same time when using this kit.  
 Do not use the new valve with an old cylinder, or vice versa.

 A WATTS INDUSTRIES CO.	© May 2001 Powers, a Watts Industries Co. 3400 Oakton Street, Skokie, IL 60076 Phone: 800.669.5430 • 847.673.6700 • Fax: 847.673.9044 www.powerscontrols.com 5435 North Service Road, Burlington, Ontario, L7L 5H7 Canada • Phone: 888.208.8927 • Fax: 888.882.1979
----------------------------	--