

INSTALLATION INSTRUCTIONS

Hydroguard ESP™ Piezo Pushbutton Sensor Showers

⚠ WARNING

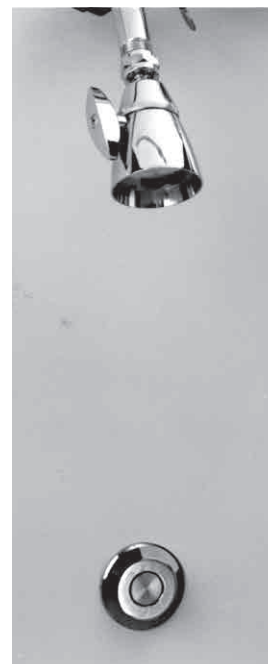


Read this Manual **BEFORE** using this equipment. Failure to read and follow all safety and use information can result in death, serious personal injury, property damage, or damage to the equipment. Keep this Manual for future reference.



⚠ WARNING

Need for Periodic Inspection/Maintenance: This product must be tested periodically in compliance with local codes, but at least once per year or more as service conditions warrant. All products must be retested once maintenance has been performed. Corrosive water conditions, inlet temperatures over 200°F (93°C), and/or unauthorized adjustments or repair could render the product ineffective for the service intended. Regular checking and cleaning of the product's internal components helps assure maximum life and proper product function.



ESP Model 447-3001CK100

Prior to Installation

⚠ WARNING

- 24V AC Step down transformer must be used for single shower applications.
- Do not allow power transformer wires to touch during wiring, since this could cause permanent damage to the transformer. To avoid this, do not supply power to, or plug in, the transformer until all other wiring is complete.
- Since solenoid valves require water free of sand, grit, etc., to operate properly, flush water lines until water is free of those materials before connecting solenoid valve.
- All electrical wiring and plumbing should be done in accordance with national/local codes and regulations.
- We recommend the use of stainless steel screws for installation of all components.

TOOLS REQUIRED:

- Slotted and Phillips screwdrivers
- Drill
- Pipe wrenches
- Pipe dope/sealing compound

Powers Series 447 Pushbutton Showers are supplied with a Brass Solenoid Valve, into which tempered water should be connected. A Powers thermostatic mixing valve, such as the Hydroguard Series LFe480 or LFLM495, will ensure safe comfortable water is supplied to your shower system.

Description

Hydroguard ESP pushbutton shower systems rely on Piezo sensor technology to deliver tempered water to a shower for a predetermined length of time. The shower turns on when the bather depresses the pushbutton, and automatically shuts off when the bather depresses the pushbutton again, or when the maximum shower time has been reached. The shower time is field adjustable from 0 to 15 minutes.

All showers are supplied complete with the Piezo pushbutton assembly, box transformer, solenoid valve, control box and mounting hardware.

The following instructions will serve as a guide when installing the Powers ESP pushbutton operated showers. As always, good safety practices and care are recommended when installing electrical equipment. We suggest that you follow the procedures outlined. If additional assistance is required, please call the Powers Application Engineering Department at 1-800-669-5430 Ext. 3.

Installation

Step 1: Determine Shower Component Layout

Several components, including the pushbutton sensor assembly, control box, solenoid and transformer, will need to be installed to ensure proper operation of the pushbutton shower system.

The first location to be identified should be the pushbutton assembly, which must be mounted on the wall. Once the pushbutton location is determined, you can decide on the location of the other components—the control box will need to be within 4' of the pushbutton sensor assembly, and the solenoid is typically located within 2' of the control box. You may use 4 conductor flat telephone cable and connectors to locate the components as far as 100' away from the sensor.

The solenoid valve should be located as close as possible to the showerhead it is servicing. Access to the valve must be provided for maintenance and servicing.

Suggested height for mounting of the pushbutton assembly for adult men and women is approximately 41" ... adjustments to height should be made for adolescents and children. Measure the proper height from the floor ... mark pushbutton location on shower wall with a pencil. Refer to figure 2 and drill a hole, from the shower side of the wall: for routing of the sensor cord and mounting of the pushbutton assembly.

Insert the pushbutton assembly in the hole from the shower side. Secure in place with the nut from the rear.

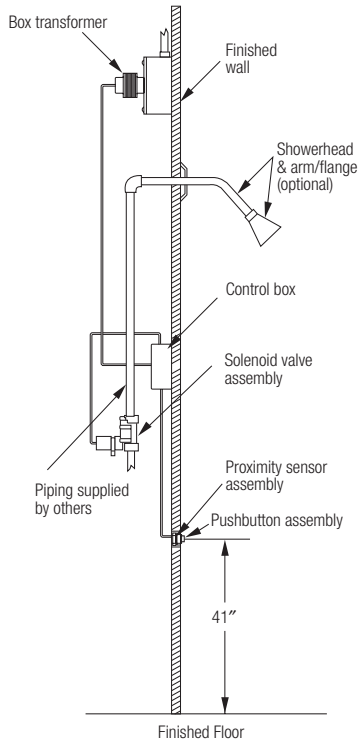


Figure 1
Typical Shower Installation

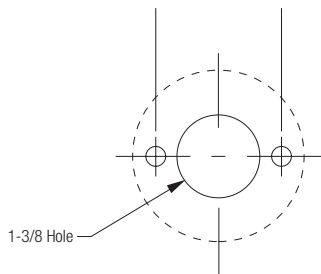
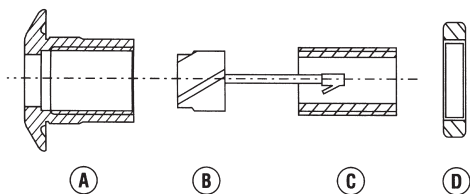


Figure 2
Pushbutton Assembly Mounting Holes



Side View of Pushbutton & Proximity Sensor Assembly

Step 2: Install Solenoid

To facilitate servicing, you may wish to install a service stop directly upstream of solenoid. Prior to installing solenoid, flush lines to be sure supply water is free from grit and sand. Solenoid end connections are 1/2" NPT.

Using thread sealant on male threads only (do NOT use teflon tape), connect supply line to solenoid, checking to be sure the flow is in the proper direction (flow arrow is marked on solenoid body). Connect outlet side of solenoid to showerhead piping.

Step 3: Install Control Box

Shower Applications

Keeping in mind that the solenoid must be within 2' and sensor must be within 4' of the control box (unless you're using extra cable and connectors), determine the location for mounting. Using the base of the box as a template, drill two small holes for mounting of the box. Install box.

Box Mount Transformer (see figure 4). This type of transformer is designed to be mounted on an 110 VAC supply electrical junction box ("J" box should be mounted inside chase wall or above ceiling). Run wires from secondary side of transformer to control box enclosure. To avoid permanent damage to the transformer, sensor, or solenoid valve, do not supply power to primary side of transformer until all wiring has been completed.

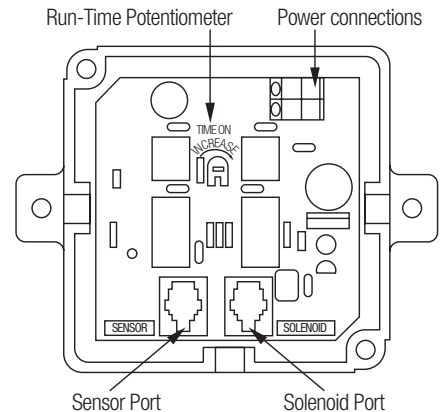


Figure 3
Control Box for Individual
Pushbutton Showers

Step 4: Start Up

Supply power to transformer. Turn on water supply and depress pushbutton. Water should come through showerhead. Once water is flowing, check all connections for leaks.

NOTE: To reduce the chance of repeat cycling and minimize the chance of water hammer, the pushbutton proximity sensor is programmed for a 5 second "block out," so that the sensor ignores repeat pushbutton activity. That is, sensor will not respond to commands within 5 seconds of another.

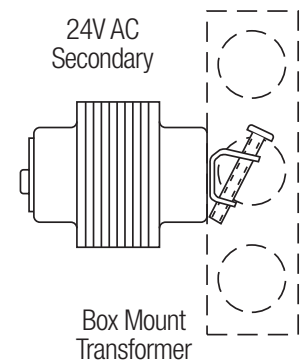


Figure 4

Step 5: Shower Time Adjustment

Shower is activated by depressing the pushbutton, which invades the field of the proximity sensor and activates the solenoid. Shower is deactivated (turned off) by depressing the pushbutton a second time (after at least 5 seconds have elapsed) or allowing the shower to reach its maximum run time. Maximum runtime can be set from 0 to approximately 15 minutes.

The Control Box is factory set to provide the maximum shower time of approximately 6 minutes. If showertime adjustment is required, it is easily adjusted as follows.

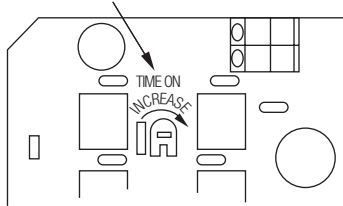


Figure 5

Remove the cover from the Control Box. You'll notice a potentiometer in the middle area of the board, labeled "Time On" with an arrow indicating which way to turn to increase the run time. (See figure 5.) Using the small screwdriver provided, rotate the potentiometer in small increments: clockwise to increase the showertime, counter-clockwise to decrease the showertime. After each adjustment, check to see if showertime is acceptable.

Make adjustments carefully. Over-adjustment can damage potentiometer.

Operation

NOTE: The pushbutton has been programmed to ignore repeat cycling commands within 5 seconds. That is, the shower cannot be shut off within 5 seconds of activation, nor can the shower be turned on within 5 seconds of shut off, regardless of the number of times the pushbutton is depressed. This "5 second block out" is designed to reduce the chance of repeat shower activation and shower misuse.)

Maintenance and Troubleshooting

To ensure trouble-free performance, routine maintenance is required.

- Check all electrical connections, making sure they are free of corrosion and securely connected.
- Check solenoid valve to ensure that it is operating properly and is free of dirt and lime build up.
- Check to be sure the tempered water being supplied to the shower is at the proper temperature for safe comfortable bathing.

If the shower does not function properly:

- check to see if transformer feed wires are securely attached to terminals at the control box and at transformer.
- check to see if there is power to the transformer, using a voltmeter. If power is going into the transformer but not coming out of the transformer, replace transformer.
- if transformer is functioning properly and power is being supplied, but the proximity pushbutton sensor does not activate after being depressed, replace the pushbutton assembly.

If the proximity pushbutton sensor is depressed, but no water comes from showerhead,

- check to be sure supply line is open and water is being supplied.
- check to see whether solenoid is functioning. If system still fails to operate, replace solenoid assembly.
- maximum run time may have been reached. If additional shower time is desired, reset run time potentiometer in control box or instruct bather to depress pushbutton after 5 second delay.

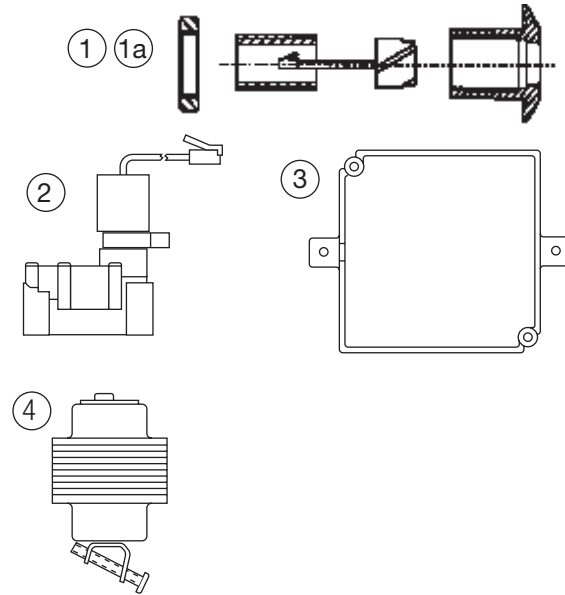
If water is on all the time, regardless of pushbutton sensor activation, unplug solenoid from control box. If water continues to run, the problem may be rectified by checking the following:

- check for debris and/or lime build-up within the solenoid, which is preventing it from closing. Dismantle, clean and flush the solenoid valve.

If, after unplugging solenoid from control box, water stops, problem is electronic. Check to see if power wires are incorrectly connected within control box. Refer to instructions above and rewire, checking electrical connections.

Parts List

No.	Description	Part No.
1	Piezo Sensor	444-260
1A	Pushbutton Assembly w/Switch	
	Wall Thickness: .063" – .25"	444-274A
	Wall Thickness: .25" – 1.5"	444-274G
	Wall Thickness: 1.5" – 4.5"	444-274D
	Wall Thickness: 4.5" – 6.5"	444-274E
	Wall Thickness: 6.5" – 8.5"	444-274F
2	Solenoid Assembly	444-175
3	Control Box	450-560
4	Box Transformer	444-119



WARNING: This product contains chemicals known to the State of California to cause cancer and birth defects or other reproductive harm.
For more information: Watts.com/prop65

The Seller warrants that the equipment manufactured by it and covered by this order or contract is free from defects in material and workmanship and, without charge, equipment found to be defective in material or workmanship will be repaired, or at Seller's option replaced F.O.B. original point of shipment, if written notice of failure is received by Seller within one (1) year after date of shipment (unless specifically noted elsewhere), provided said equipment has been properly installed, operated in accordance with the Seller's instructions, and provided such defects are not due to abuse or decomposition by chemical or galvanic action. **THIS EXPRESS WARRANTY IS IN LIEU OF AND EXCLUDES ALL OTHER WARRANTIES, GUARANTEES, OR REPRESENTATIONS, EXPRESS OF IMPLIED. THERE ARE NO IMPLIED WARRANTIES OF MERCHANTABILITY OR OF FITNESS FOR A PARTICULAR PURPOSE.** The Seller assumes no responsibility for repairs made on the Seller's equipment unless done by the Seller's authorized personnel, or by written authority from the Seller. The Seller makes no guarantee with respect to material not manufactured by it.

POWERS™

A **WATTS** Brand

USA: T: (800) 669-5430 • F: (847) 229-0526 • PowersControls.com
Canada: T: (905) 332-4090 • F: (905) 332-7068 • PowersControls.ca
Latin America: T: (52) 81-1001-8600 • PowersControls.com