

Colt Series

200 Double Check Assembly

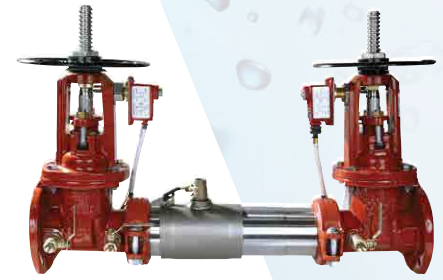
300 Double Check Detector Assembly

400 Reduced Pressure Zone Assembly

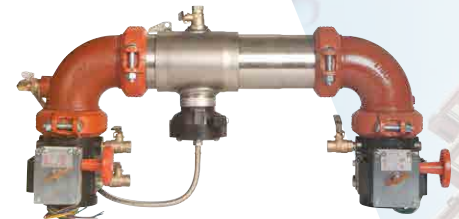
500 Reduced Pressure Detector Assembly

Features

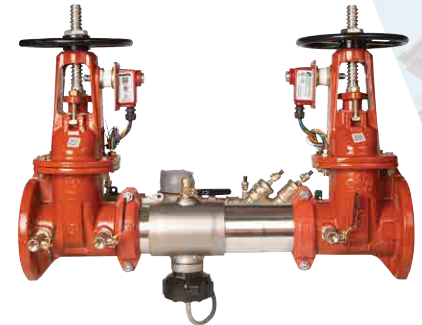
- Integrated supervisory switch (UL Certified, Safety Signaling, Control No. 3L38) as an option on each gate valve of the OS&Y model in Series C200, C300, LFC300 for fire tamper detection
- Sensor on the relief valve of Series C400, C500, and LFC500 for flood detection; alert features activated with add-on connection kits available for BMS and cellular network communication
- Integrated supervisory switch (UL Certified, Safety Signaling, Control No. 3L38) as an option on each gate valve of the OS&Y model in Series C400, C500, LFC500 for fire tamper detection
- Most compact design in the industry; smallest enclosure
- Approved for horizontal, vertical, or "N" installation
- Valve body and closure sleeve made from 300 Series stainless steel
- Approved with gate valves or UL Classified and FM Approved butterfly valves
- Groove connections to facilitate installation and pipe alignment
- Patented Link check modules to ease servicing and maintenance
- Minimizes flow switch fluctuation



C200-OSY with supervisory switches

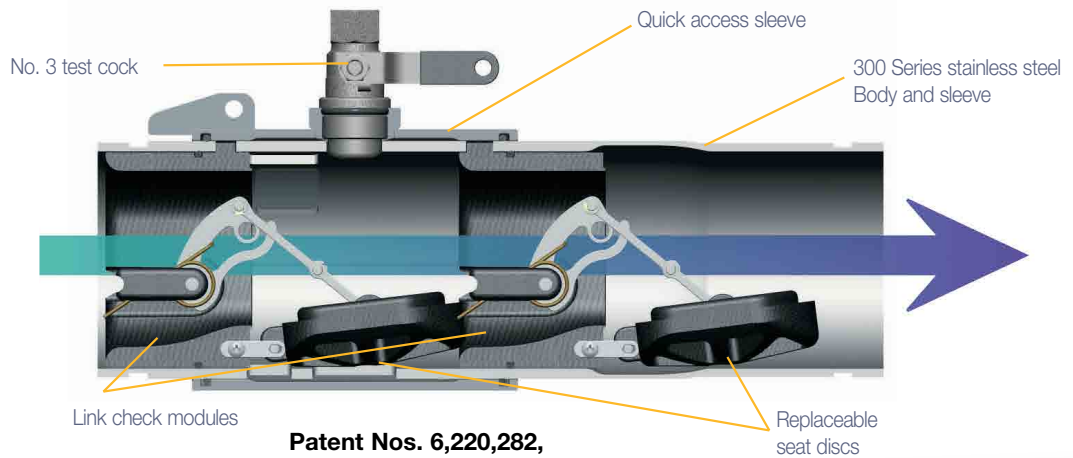


C400N-BFG with flood sensor



C500-OSY with supervisory switches and flood sensor

Cutaway View - Full flow operation



Patent Nos. 6,220,282,
6,443,181, and 6,478,047

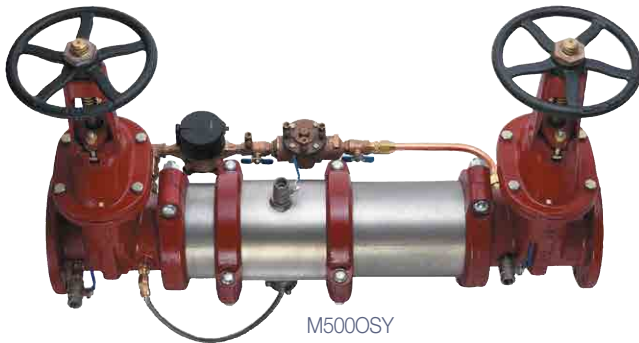
Maxim Series

200 Double Check Assembly

300 Double Check Detector Assembly

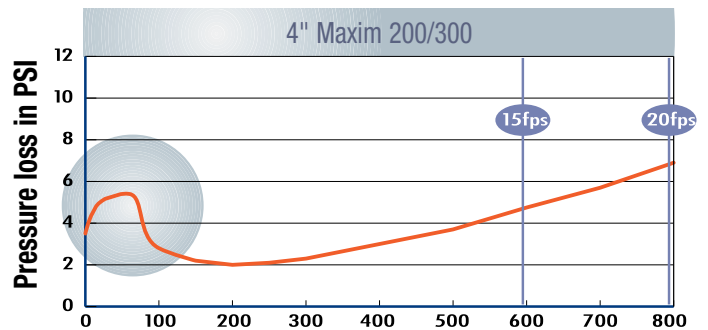
400 Reduced Pressure Zone Assembly

500 Reduced Pressure Detector Assembly



Features

- Specifically designed for high-flow fire systems
- Valve body and closure sleeve made from 300 Series stainless steel
- Approved with gate valves or UL Classified and FM Approved butterfly valves
- Approved for horizontal, vertical, or "N" pattern installation
- Groove connections to facilitate installation and pipe alignment
- Patented Link check modules to ease servicing and maintenance
- Quick access sleeve
- Eliminates flow switch fluctuation



Refer to watts.com for BAA information on specific models.



A **WATTS** Brand