

# tekmar® Submittal

## tN4 Wiring Center 315



Zoning

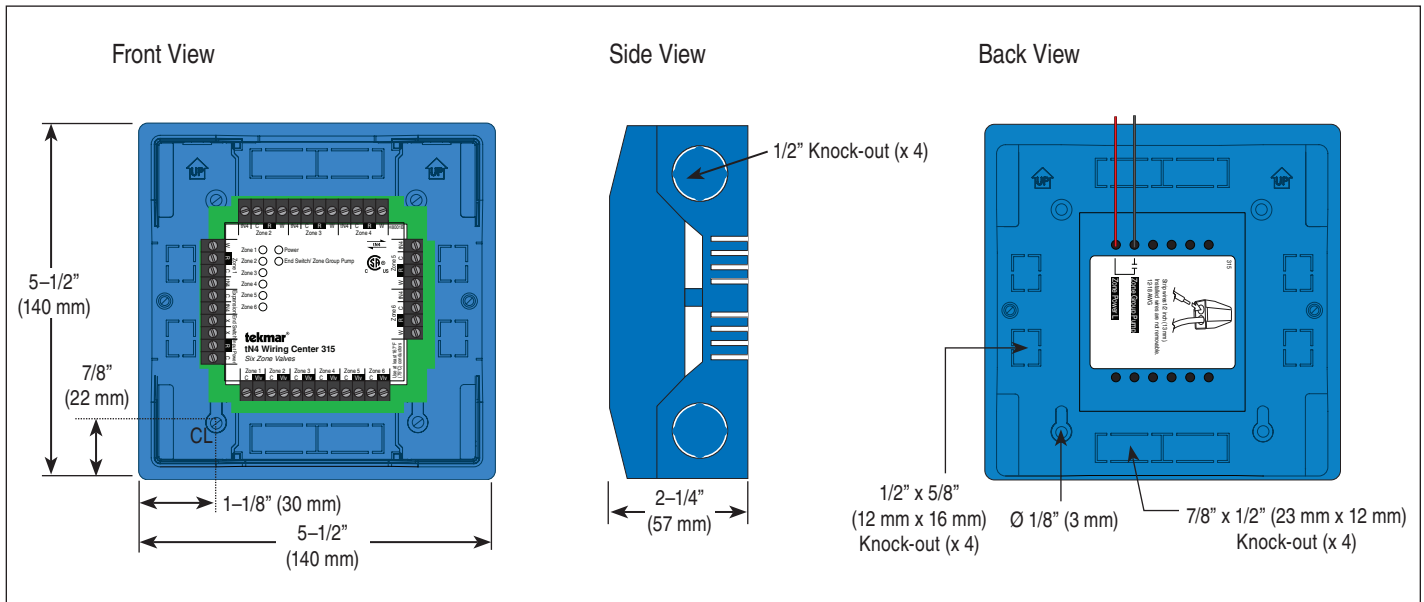
**C315**

04/11

Replaces: 01/11

Job \_\_\_\_\_ Designer \_\_\_\_\_ Contact \_\_\_\_\_

The tekmarNet®4 Wiring Center 315 is designed to provide a zoning solution for heating systems. It can be used in applications ranging from baseboard zones, to remote manifolds for radiant heating. This control energizes up to 6 zone valves. It is capable of providing power for up to 6 tekmarNet®4, or stand alone thermostats, and energizing their respective 24 V (ac) zones, as well as providing an end switch closure to enable an external device such as a boiler. A zone group pump relay is also available to switch a pump.



### Specifications

tN4 Wiring Center 315 Six Zone Valves	
Literature	C315, D315, Q315
Control	Microprocessor control. This is not a safety (limit) control
Packaged weight	1.4 lb. (630 g)
Dimensions	5.5" H x 5.5" W x 2.25" D (140 x 140 x 57 mm)
Enclosure	Blue PC+ABS plastic, NEMA type 1
Approvals	CSA C US, meets class B: ICES & FCC Part 15
Ambient conditions	Indoor use only, 32 to 122°F (0 to 50°C), RH ≤90% Non-condensing
Power supply	24 V (ac) ±10%, 60 Hz, 3 VA min, 98 VA max, Class 2
Zone valve load	24 V (ac) 2 A, maximum combined current (zones 1 to 4): 4 A
End switch relay	24 V (ac) 2 A
Zone group pump	115 V (ac) 5A, 1/6 hp
Warranty	Limited 3 Year (See D315 for full warranty)

### Features

- Six 24 V (ac) powered zone outputs
- For use with tekmarNet®4 thermostats
- tN4 expansion terminals
- Isolated end switch
- Zone group pump output
- External diagnostic LEDs
- CSA C US Certified for use in USA and Canada

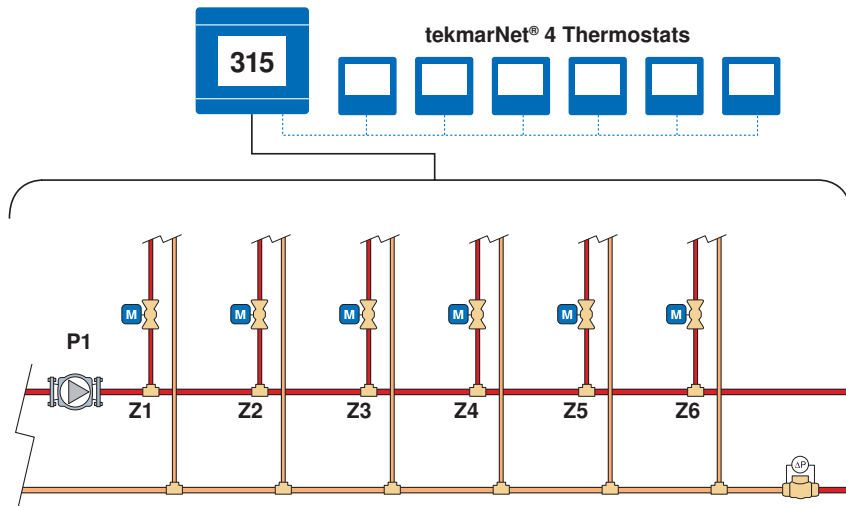
### SPECIAL REQUIREMENTS

Designed for use with tekmarNet®4 Thermostats.

## Sample Application Drawing

Below is a sample application drawing for this product. This application may include other tekmar products that are required for installation. More sample applications can be found at [www.tekmarcontrols.com](http://www.tekmarcontrols.com).

Sample Mechanical diagram



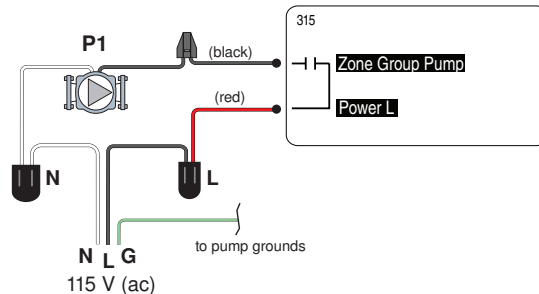
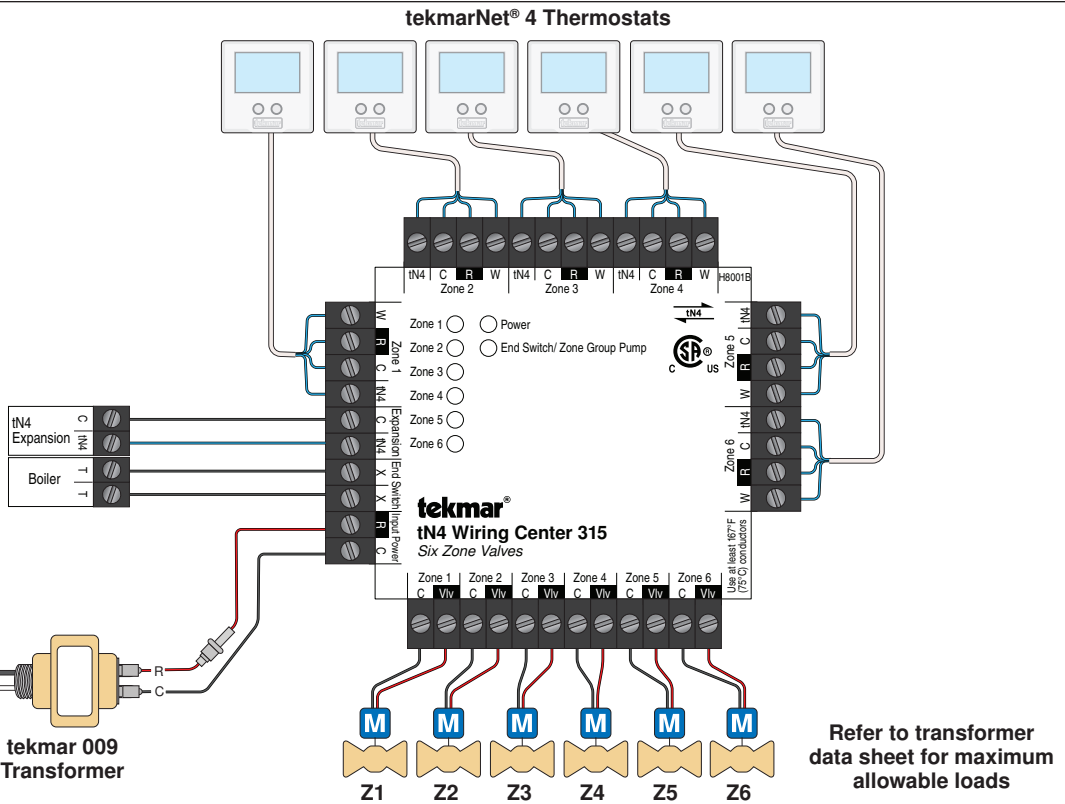
Sample Electrical diagram

### Legend

- P1 = Zone Group Pump
- Z1 = Zone 1
- Z2 = Zone 2
- Z3 = Zone 3
- Z4 = Zone 4
- Z5 = Zone 5
- Z6 = Zone 6

tekmarNet® 4  
expansion to other  
tekmarNet® control  
OR  
End Switch  
to Boiler TT

120 V (ac)



tekmar Control Systems Ltd., Canada, tekmar Control Systems, Inc., U.S.A. Head Office: 5100 Silver Star Road, Vernon, B.C. Canada V1B 3K4, 250-545-7749, Fax. 250-545-0650 Web Site: [www.tekmarcontrols.com](http://www.tekmarcontrols.com)

