

tekmar® Submittal

tekmarNet® 2 Zone Expansion Module 324



Zoning

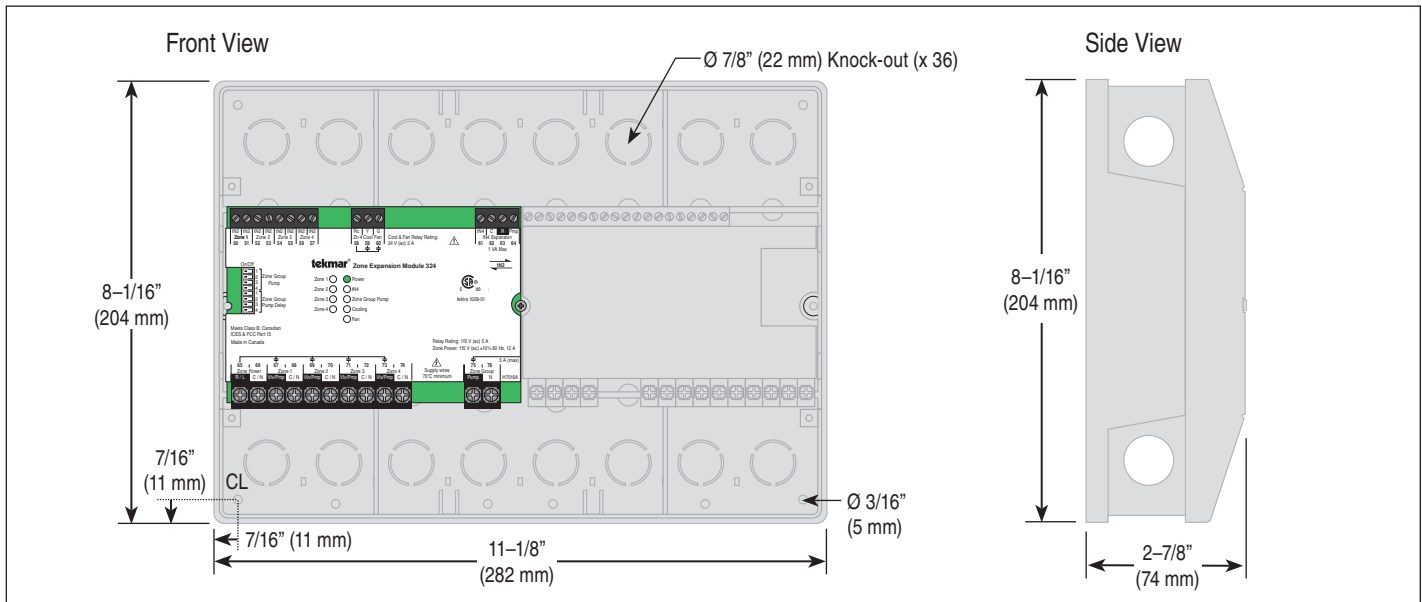
C 324

01/11

Replaces: New

Job _____ Designer _____ Contact _____

The tekmarNet® 2 Zone Expansion Module 324 is designed to provide expansion for a zoning solution used in heating systems. It can be used in applications ranging from baseboard zones, to remote manifolds for radiant heating. This product expands the number of zones in a heating system by up to 4 zone valves or zone pumps. It is capable of providing power for up to 4 tekmarNet® 2 thermostats and energizing their respective 24 V (ac) or 115 V (ac) zones, as well as providing a powered Zone Group Pump (powered end switch) contact to enable an external device such as a manifold pump.



Specifications

tN2 Zone Expansion Module 324 Four Zones, Cooling & Fan	
Literature	D324, W324, J324
Control	Microprocessor control. This is not a safety (limit) control
Packaged weight	4.9 lb. (2220 g)
Dimensions	3-5/8" H x 5-3/8" W x 9/16" D (92 x 137 x 14 mm)
Approvals	CSA C US, meets Class B: ICES & FCC Part 15
Ambient conditions	Indoor use only, 32 to 113°F (0 to 45°C), RH ≤80% to 88°F (31°C), down to 50% above 104°F (40°C), Altitude <6560 ft. (2000 m), Installation Category II, Pollution Degree 2
Power supply	Provided by interconnected Zone Manager
Zone power	115 V (ac) +/- 10%, 60 Hz, 12 A max
Zone group pump relay	115 V (ac) 5 A
Zone relays	115 V (ac) 5 A
Cool and fan relays	24 V (ac) 2 A
Warranty	Limited 3 Year (See D324 for full warranty)

Features

- Only requires 2 Wires Per Zone
- For use with tekmarNet® 2 thermostats ONLY
- tekmarNet® 4 compatible
- Four zone valves or zone pumps
- Time delay for thermal motor zone valves
- CSA C US Certified for use in USA and Canada

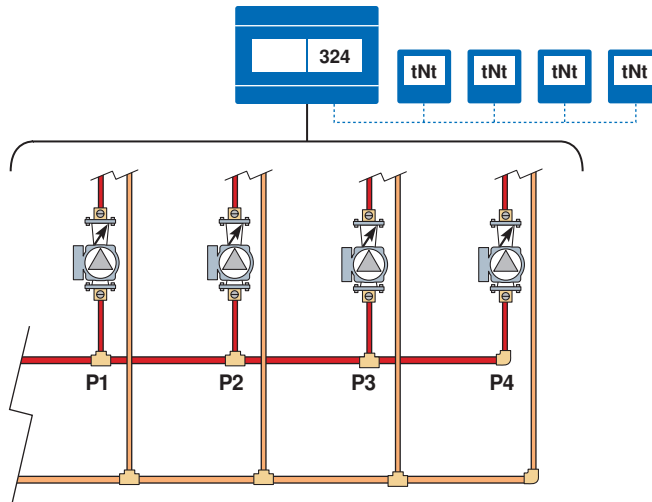
SPECIAL REQUIREMENTS

Enclosure not included! Control must be installed with a tekmarNet® Zone Manager (334, 335, 336, 337, 345, 346) for mounting and power. This control is designed for use ONLY with tekmarNet® 2 thermostats.

Sample Application Drawing

Below is a sample application drawing for this product. This application may include other tekmar products that are required for installation. More sample applications can be found at www.tekmarcontrols.com.

Sample Mechanical diagram



Sample Electrical diagram

Legend

P1 = Zone Pump 1
 P2 = Zone Pump 2
 P3 = Zone Pump 3
 P4 = Zone Pump 4

