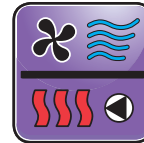


# tekmar® Submittal

## Power Manager 346



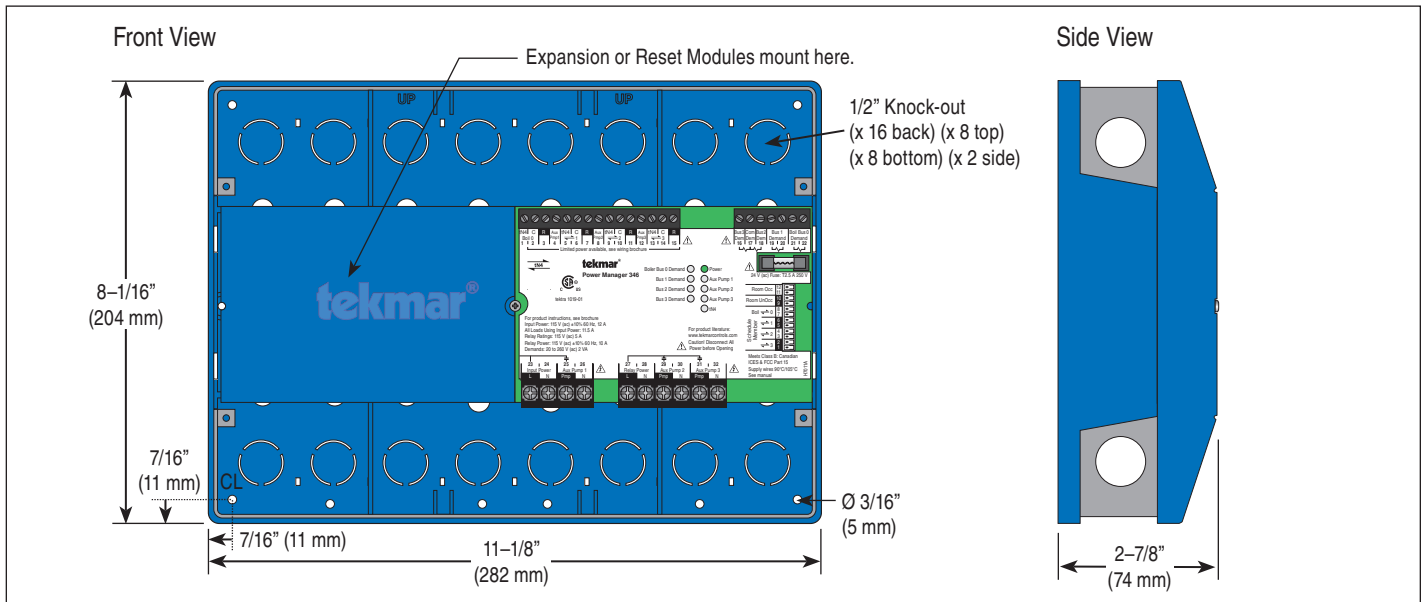
**C346**

01/11

HVAC Systems Replaces: New

Job \_\_\_\_\_ Designer \_\_\_\_\_ Contact \_\_\_\_\_

The Power Manager 346 is designed to allow non-tekmar products to interface with a tekmarNet®4 communicating heating system. It can be used in applications that use 3rd party thermostats, zoning devices, or mechanical equipment that requires a hot water demand from the boiler system. This product provides demand inputs for up to 4 different reset water temperatures (high temp, low temp 1, low temp 2, low temp 3). It has the capability of switching 3 pump outputs and provides wiring for up to 3 tekmarNet®4 devices, as well as the 4 separate demand inputs to create a heat call on one of up to 4 possible reset water temperatures.



### Specifications

<b>Power Manager 346 Three Auxiliary Pumps, Four Demands</b>	
Literature	D346, W346, J346
Control	Microprocessor control. This is not a safety (limit) control
Packaged weight	3.5 lbs (1610 g)
Dimensions	8-1/16" H x 11-1/8" W x 2-15/16" D (204 x 282 x 74 mm)
Enclosure	Blue PC+ABS plastic with metal top and bottom conduit connection walls, NEMA type 1
Approvals	CSA C US, meets Class B: ICES & FCC Part 15
Ambient conditions	Indoor use only, 32 to 117°F (0 to 47°C), RH ≤80% to 88°F (31°C), down to 50% above 104°F (40°C), Altitude <6560 ft. (2000 m), Installation Category II, Pollution Degree 2
Input power supply	115 V (ac) +/- 10%, 60 Hz, 12 A
Combined load	All loads using input power 11.5A max
Relay power	115 V (ac) +/- 10%, 60 Hz, 10 A
Wire rating	Installations up to 104°F (40°C) only require 90°C supply wiring, whereas environments of 105 to 117°F (41 to 47°C) require 105°C rated wiring
Max low voltage load	24 V (ac) 2.1 A 50 VA, fuse: T2.5 A 250 V
Auxiliary pump inputs	24 V (ac), < 0.1 VA
Auxiliary pump relays	115 V (ac) 5 A
Bus demands	20 to 260 V (ac) 2 VA
Warranty	Limited 3 Year (See D346 for full warranty)

### Features

- tekmarNet®4 compatible
- Four tekmarNet®4 buses
- Four On-Off demand inputs
- Converts demands to tekmarNet®4 communication
- Three 120 V powered auxiliary pump outputs
- Internal 50 VA transformer
- CSA C US certified for use in the USA and Canada

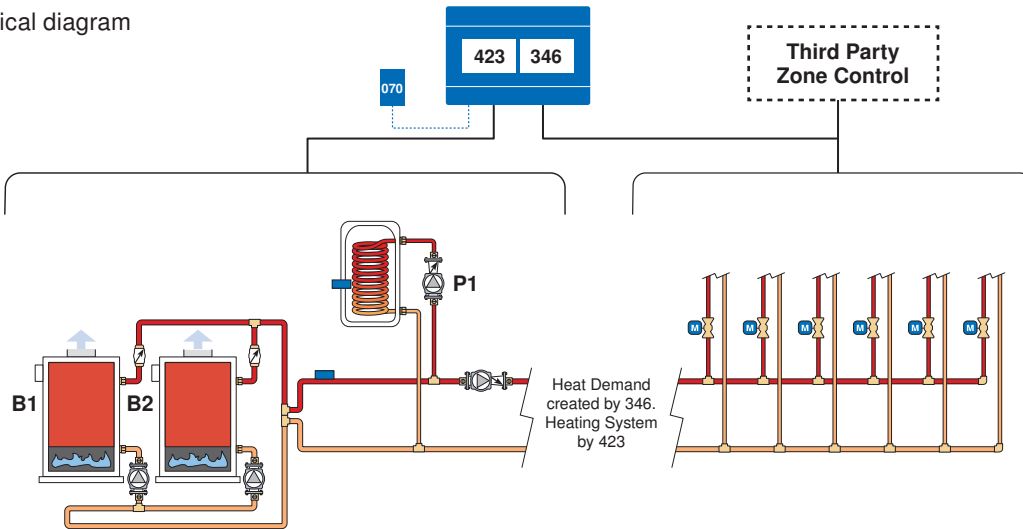
### SPECIAL REQUIREMENTS

This control is designed for use with tekmarNet® devices to allow third party equipment to be integrated into a tekmarNet® system

## Sample Application Drawing

Below is a sample application drawing for this product. This application may include other tekmar products that are required for installation. More sample applications can be found at [www.tekmarcontrols.com](http://www.tekmarcontrols.com).

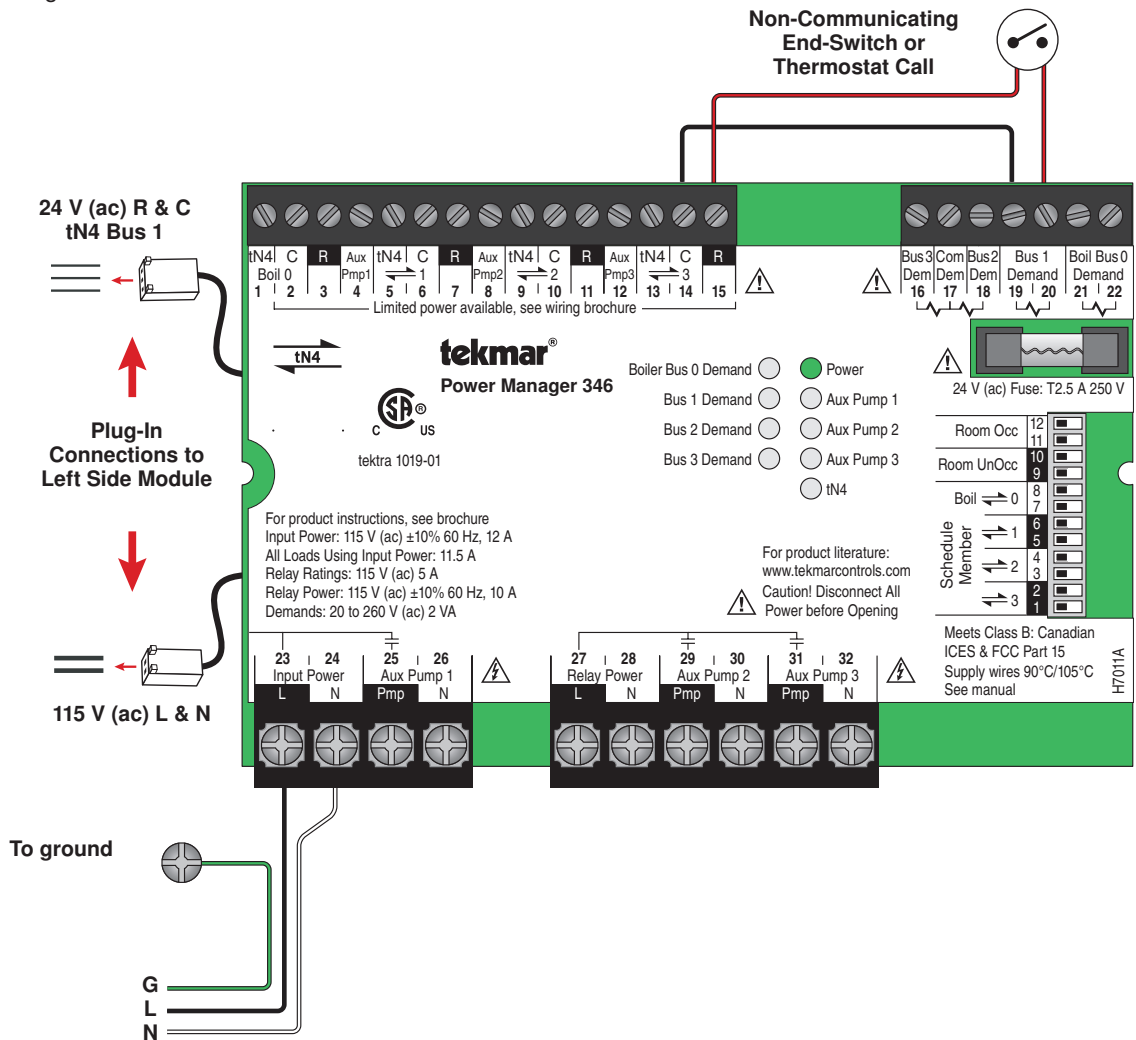
Sample Mechanical diagram



Sample Electrical diagram

### Legend

- B1 = Boiler 1
- B2 = Boiler 2
- P1 = DHW Pump



tekmar Control Systems Ltd., Canada, tekmar Control Systems, Inc., U.S.A. **Head Office: 5100 Silver Star Road, Vernon, B.C. Canada V1B 3K4, 250-545-7749, Fax. 250-545-0650 Web Site: [www.tekmarcontrols.com](http://www.tekmarcontrols.com)**

