

tekmar® Submittal

Snow Detector & Melting Control 665



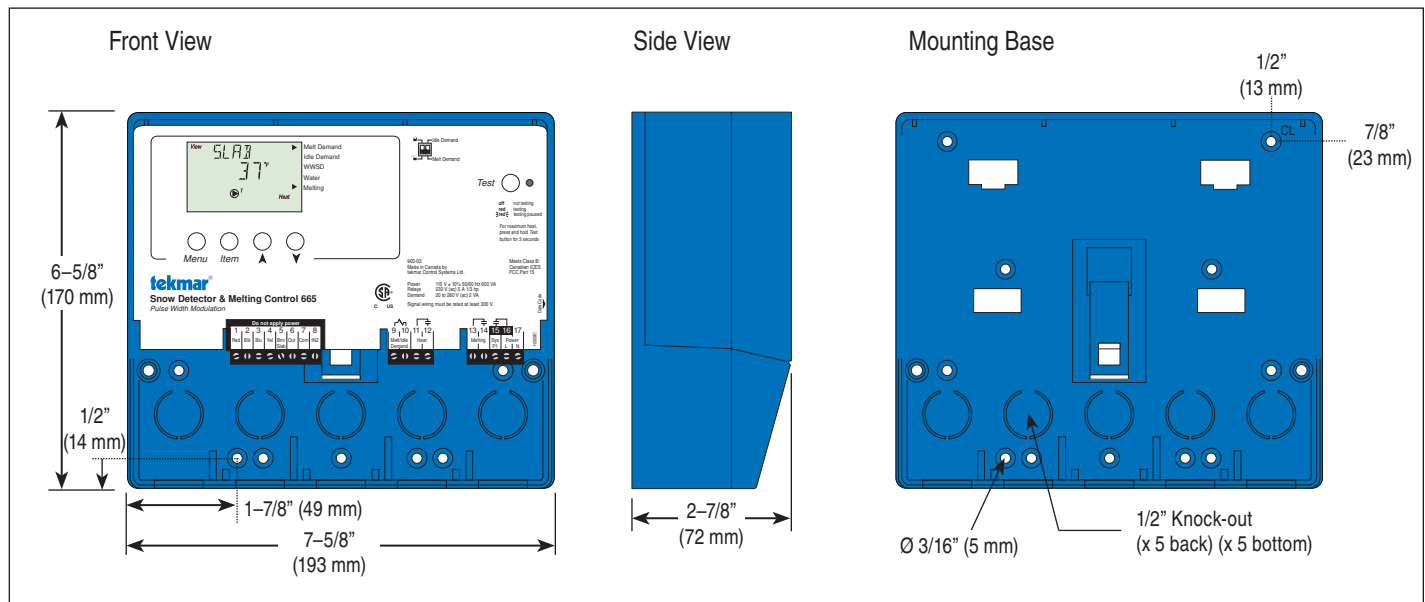
C 665

04/12

Snow Melting Replaces: 01/11

Job _____ Designer _____ Contact _____

The Snow Detector & Melting Control 665 is designed to operate mechanical equipment to melt snow off an outdoor slab. It can be used in hydronic or electric snow melting applications. This product uses a tekmar snow/ice detection sensor in order to automatically melt snow using Pulse Width Modulation (PWM) and slab Outdoor Reset to maintain slab temperature. It is capable of controlling a single boiler, a system pump, and providing a signal when melting is enabled.



Specifications

Snow Detector & Melting Control 665 Pulse Width Modulation	
Literature	D665, A665, U665
Control	Microprocessor control. This is not a safety (limit) control
Packaged weight	3.1 lb. (1400 g)
Dimensions	6-5/8" H x 7-9/16" W x 2-13/16" D (170 x 193 x 72 mm)
Enclosure	Blue PVC plastic, NEMA type 1
Approvals	CSA C US, meets class B: ICES & FCC Part 15
Ambient conditions	Indoor use only, 32 to 122°F (0 to 50°C), RH ≤90% Non-condensing
Power supply	115 V (ac) ±10%, 50/60 Hz, 600 VA
Relay capacity	230 V (ac) 5 A, 1/3 hp
Demand	20 to 260 V (ac) 2 VA
Sensors	NTC thermistor, 10 kΩ @ 77°F (25°C ±0.2°C) β=3892
–Included	Outdoor Sensor 070
–Optional	tekmar type #: 039, 040, 072, 073, 090, 091, 094
Warranty	Limited 3 Year (See D665 for full warranty)

Features

- Slab Outdoor Reset
- Automatic snow detection and melt control (with 090 Sensor)
- Temporary Idle
- Manual Override
- Warm Weather Shut Down
- Cold Weather Cut Out
- Remote display and adjustment capabilities
- Test sequence to ensure proper component operation
- Equipment Exercising
- CSA C US certified (approved to applicable UL standards)

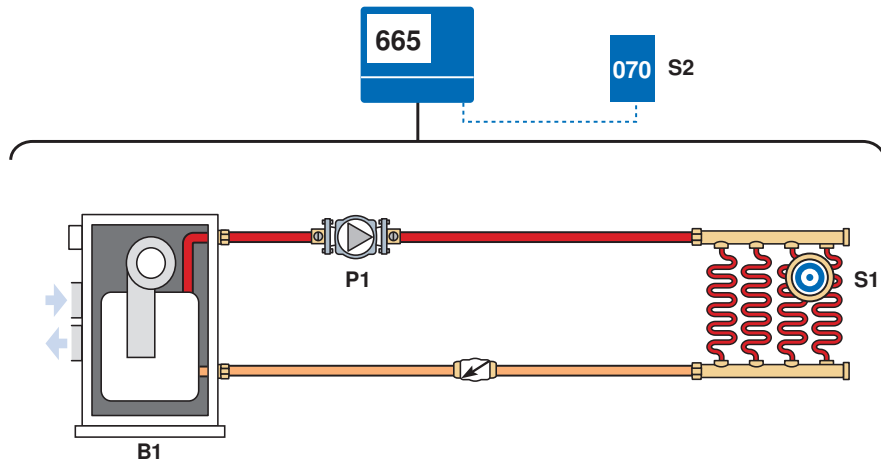
SPECIAL REQUIREMENTS

090 Snow/Ice Sensor or Slab Sensor.

Sample Application Drawing

Below is a sample application drawing for this product. This application may include other tekmar products that are required for installation. More sample applications can be found at www.tekmarControls.com.

Sample Mechanical diagram



Sample Electrical diagram

Legend

B1 = Modulating Boiler (Enable only)
P1 = System Pump
S1 = Snow Melt Sensor
S2 = Outdoor Sensor

