



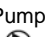








Installing the 275 Modulating Boiler Control with Modulating Boilers

The following table describes the essential setting required for the 275 when installed with some of the most common modulating boilers on the market. For a complete list of compatible boilers, please refer to tekmar Service Bulletin SB 032.

Table 1: Essential Settings on the 275 for Several Different Boilers

Boiler Model	Relay Type	Fire Delay (min)	Mod Delay (min)	Motor Speed (sec)	Start Mod (%)	Minimum Mod (%)	Maximum Mod (%)	Required Equipment from Boiler Manufacturer	Boiler Control Setting		
									Parameter	Setting	Reference
Buderus GB142, 162, 312	Pump 	0:30	0:10	10	50	30	100	EM10 Module	None	None	None
Burnham Alpine	Burner 	0:30	0:10	30	50	0	100	AIM2 Contact: ACI Ph: 888-967-5224	Central Heating Modulation Source	4-20 mA	p.109 I&O Manual
Dunkirk Q95M-200	Pump 	0:15	2:00	10	50	18	100	HAM 0-10VDC Module	Parameter 34 [P .34]	[- - 04]	p.3 Ham Installation Instruction
Heat Transfer Products Elite	Pump 	0:14	0:10	24	16	16	100	None	Function 16	0-10 Volt	p.57 Installation Manual
									Function 17	Fan Speed	
Heat Transfer Products Munchkin	Pump 	0:14	0:10	60	16	16	100	Munchkin Interface Board	Function 16	1	p.60 Boiler Manual
									Function 17	1	
Laars NeoTherm	Burner 	1:00	0:20	30	40	0	100	AIM2 Contact: ACI Ph: 888-967-5224	None	None	None
Lochinvar Knight	Pump 	0:45	0:05	16	20	20	100	None	H3	Active	p.24 Service Manual
Lochinvar Sync	Pump 	0:45	0:05	16	20	20	100	None	Demand conf	3	p.19 Service Manual
Peerless PureFire REV2	Pump 	0:15	0:00	50	50	20	100	Interface Adapter PFA-1	Heating Mode	Mode 5	p.43 I&O Manual
Triangle Tube Prestige Solo	Pump 	0:35	2:00	90	18	18	100	None	Parameter 45	02	p.54 I&M Manual
Weil-McLain Ultra Series 3	Pump 	0:30	1:00	60	50	20	100	None	ADD'L HEAT DEMAND	Type 4	p.64 Boiler Manual

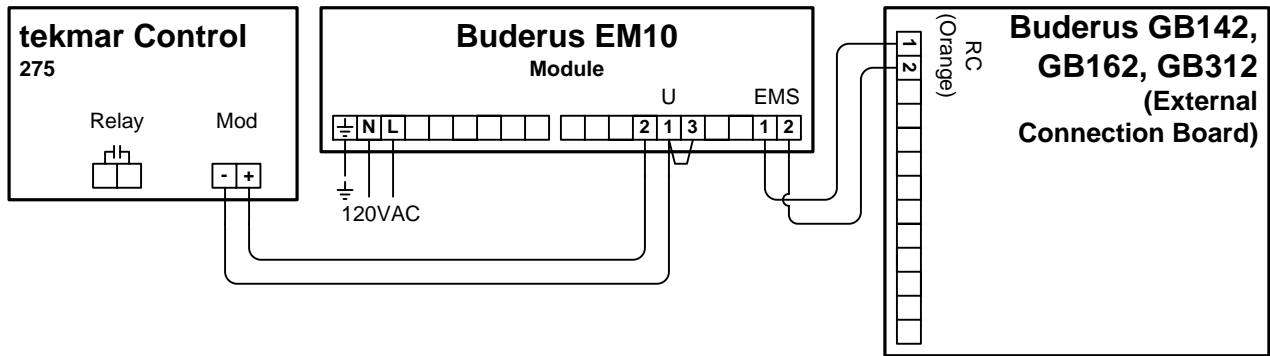
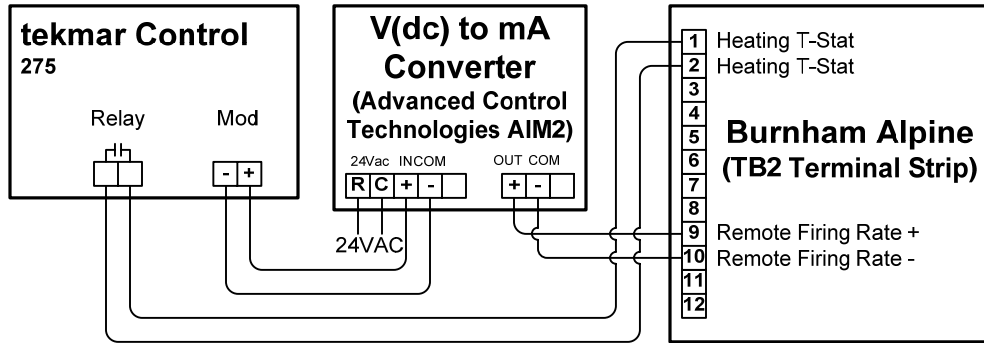


Figure 1: Wiring Diagram for a Buderus GB142, GB162 and GB312 Boilers to a tekmar 275



AIM2 Settings:

Input DIP switches 1, 4, 6 ON...all others OFF, Output DIP switches 1, 3, 4, 6 ON...all others OFF
 Jumper J2 in E position for voltage input, Jumper J3 to NRM, J4 to I, and J5 to SRC

Figure 2: Wiring Diagram for a Burnham Alpine Boiler to a tekmar 275

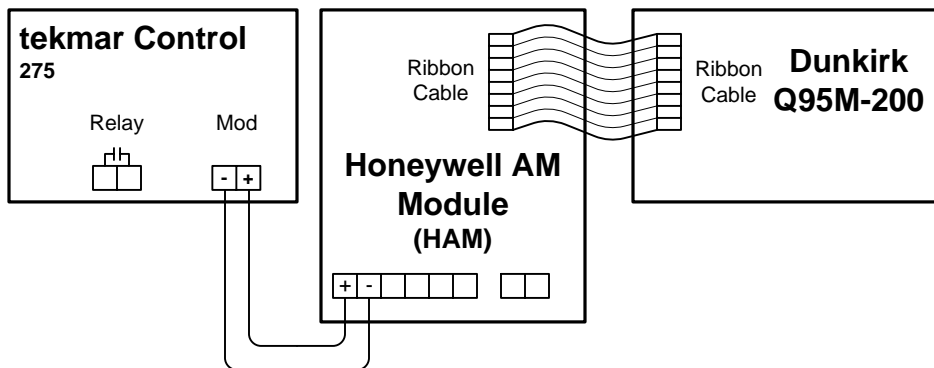


Figure 3: Wiring Diagram for a Dunkirk Q95M-200 Boiler to a tekmar 275

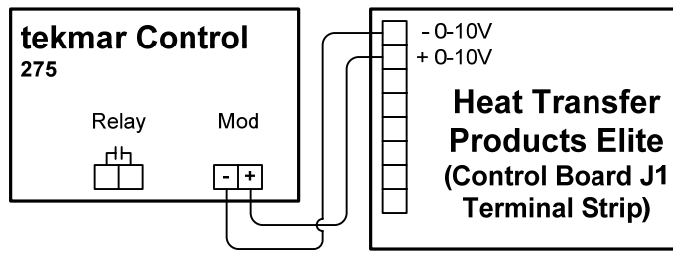


Figure 4: Wiring Diagram for a Heat Transfer Products Elite Boiler to a tekmar 275

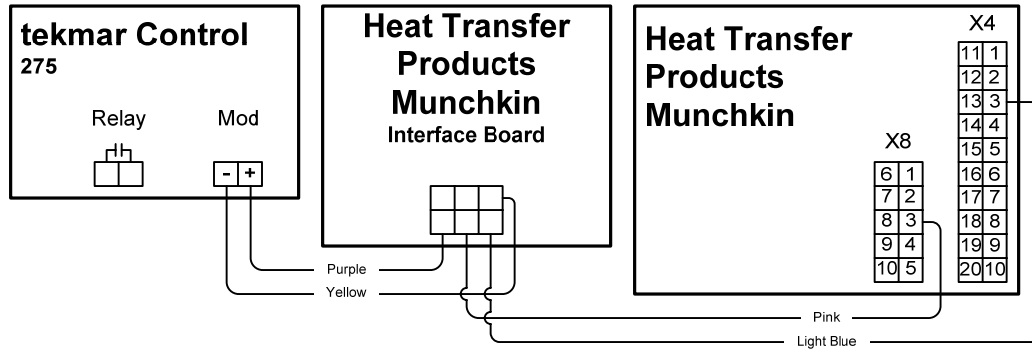
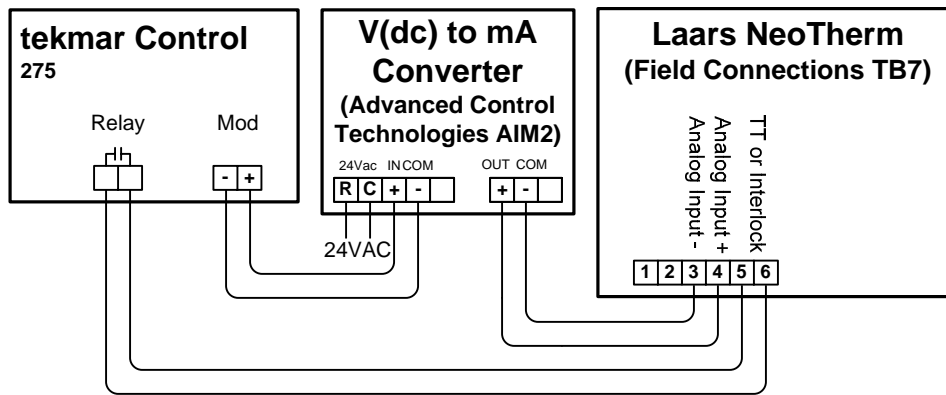


Figure 5: Wiring Diagram for a Heat Transfer Products Munchkin Boiler to a tekmar 275



AIM2 Settings:

Input DIP switches 1, 4, 6 ON...all others OFF, Output DIP switches 1, 3, 4, 6 ON...all others OFF
 Jumper J2 in E position for voltage input, Jumper J3 to NRM, J4 to I, and J5 to SRC

Figure 6: Wiring Diagram for a Laars NeoTherm Boiler to a tekmar 275

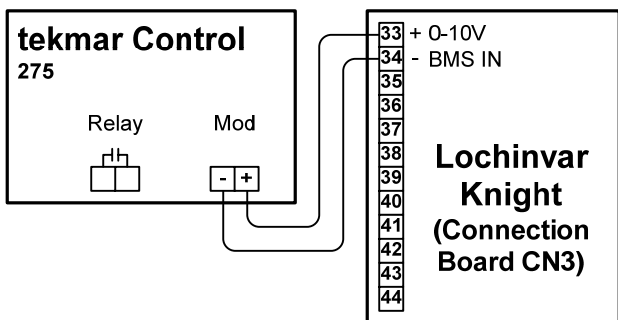


Figure 7: Wiring Diagram for a Lochinvar Knight Boiler to a tekmar 275

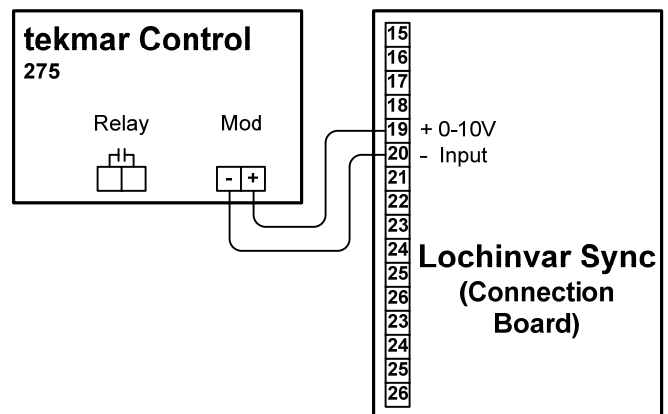


Figure 8: Wiring Diagram for a Lochinvar Sync Boiler to a tekmar 275

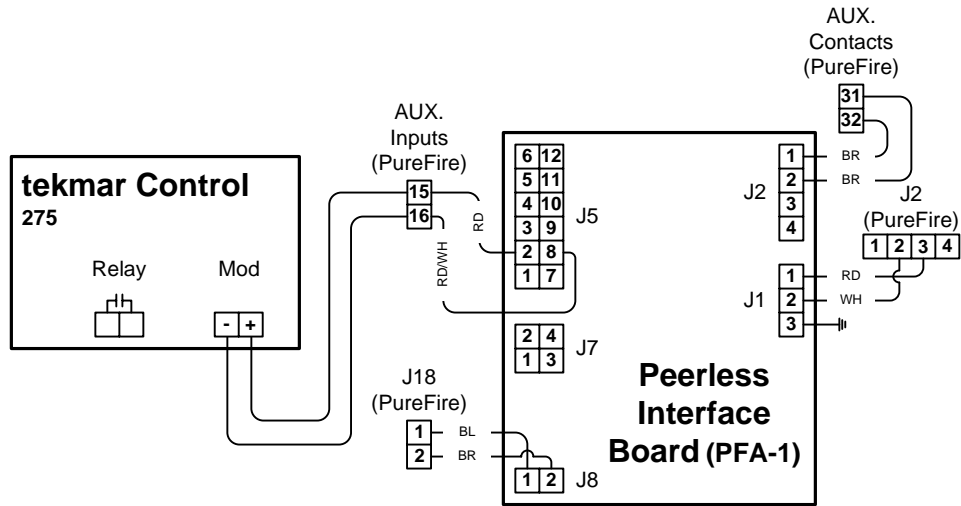


Figure 9: Wiring Diagram for a Peerless PureFire Boiler to a tekmar 275

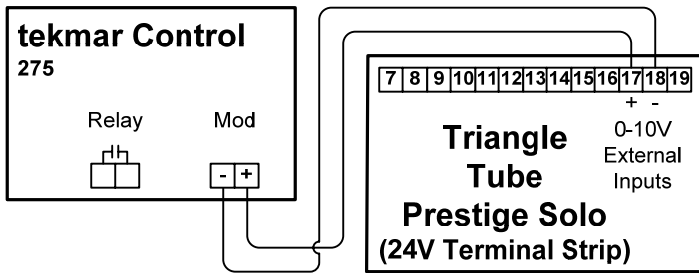


Figure 10: Wiring Diagram for a Triangle Tube Prestige Solo Boiler to a tekmar 275

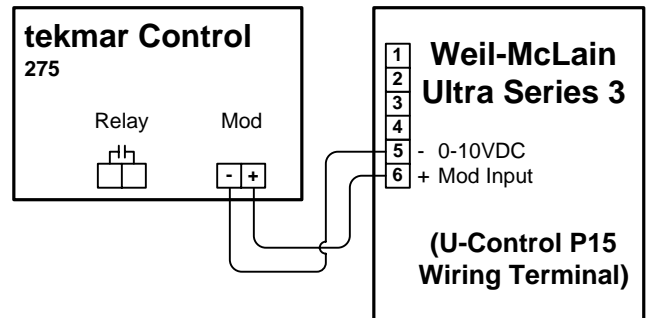


Figure 11: Wiring Diagram for a Weil-McLain Ultra 3 Boiler to a tekmar 275

PLEASE 'NOTE': Due to published changes made without notice by Boiler Manufacturers to their specifications and capabilities, tekmar Control Systems does not assume any responsibility for boiler manufacturers' amendments, modifications, deletions or changes nor does tekmar Control Systems accept any responsibility for the damage or personal injury due to unsafe and improper boiler operation that is guided by this 'Note' and by the manufacturer's installation and operating instructions.