

Model: 125, 125-B

Job Name _____

Contractor _____

Job Location _____

Approval _____

Engineer _____

Contractor's P.O. No. _____

Approval _____

Representative _____

LEAD FREE*

Cast Iron or Cast Bronze Flanged End Basket Type Strainers

Models: 125, 125-B**Sizes: 3/4" - 3"**

Model 125

PRESSURE/TEMPERATURE-NON-SHOCK		
MODEL	MATERIAL	RATING
125	Cast Iron	200psi @ -20°F to 150°F 13.79 bar @ 65.56°C
		165psi @ 300°F 11.38 bar @ 148.89°C
125B	AL-Brz	175psi @ -20 to 150°F 12.07 bar @ 65.56°C
		200psi @ 150°F 13.79 bar @ 65.56°C

Max. temp. can be limited by O-ring material. Consult factory. All units with knob type enclosures are rated 200psi maximum.

781-SS **Cast Iron** **Class 125**
781-SS-WE **AL-Brz** **Class 125**

Strainers provide economical protection for costly pumps, meters, valves, and other similar mechanical equipment by straining foreign matter from the connected piping system. Installation of a strainer before mechanical equipment can ensure trouble free service and avoid costly shutdowns for repair or replacement of equipment damaged by foreign matter. The size of the perforation or mesh in the basket screen will determine the smallest particles captured. See Strainer Information section of Mueller Steam Specialty Engineering binder for detailed information including sizes and materials available.

Typical Service

- These strainers can be specified for cooling water, seawater, hot water systems and more.

Features

- Designed for large capacity straining and ease of maintenance.
- Cover is secured with quick-opening knobs to minimize service time.

Mueller Steam Specialty product specifications in U.S. customary units and metric are approximate and are provided for reference only. For precise measurements, please contact Mueller Steam Specialty Technical Service. Mueller Steam Specialty reserves the right to change or modify product design, construction, specifications, or materials without prior notice and without incurring any obligation to make such changes and modifications on Mueller Steam Specialty products previously or subsequently sold.

- O-ring seals on both the cover and baskets can usually be re-used after service, no need to clean gasket residue and replace costly gaskets.
- Machined basket seat eliminates particle bypass.

Construction

- Standard cover has O-ring seal and quick release knob fasteners.
- Bolted cover available, consult factory
- Swing clamp covers are available, consult factory
- Plugged NPT connection is provided at location D. (See next page.)

Capacity

Minimum 6 to 1 ratio.

Galvanizing

Available on cast iron models. Other coatings are available on application.

Baskets

MODEL	SIZES	STANDARD (WATER)		STEAM RECOMMENDATION	
		MATERIAL	OPENING	MATERIAL	OPENING
125	3/8" - 3"	304SS	.062 perf	304SS	.062 perf
125B	3/8" - 3"	304SS	.062 perf	304SS	.062 perf

NOTICE

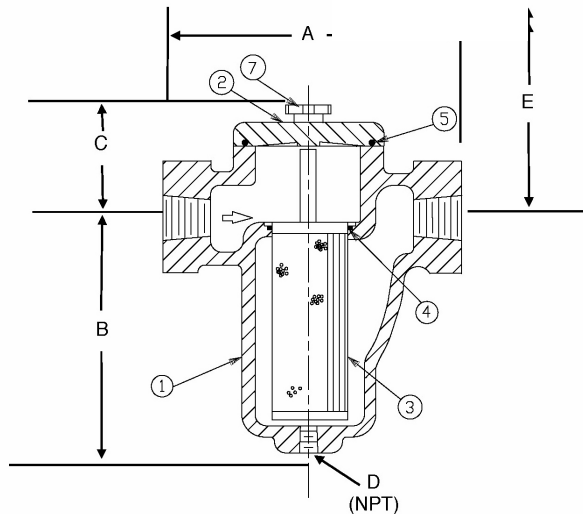
The information contained herein is not intended to replace the full product installation and safety information available or the experience of a trained product installer. You are required to thoroughly read all installation instructions and product safety information before beginning the installation of this product.

***The wetted surface of this product contacted by consumable water contains less than 0.25% of lead by weight.**

Mueller Steam Specialty™

A WATTS Brand

Materials



* "B" dimension includes the floor supports on 4" size and larger

BILL OF MATERIAL MODELS 125,125-B			
ITEM	DESCRIPTION	MATERIAL - MODEL 125	MATERIAL - MODEL 125B
1	BODY	Cast Iron ASTM A126-B	Aluminum Bronze ASTM B148
2	COVER **	Cast Iron ASTM A126-B	Aluminum Bronze ASTM B149
3	BASKET	304 SS	305 SS
4	BASKET GASKET	Buna-N	Buna-N
5	COVER O-RING	Buna-N	Buna-N
6	STUDS	A193 B7	A193 B8
7	KNOBS	Ductile Iron A536 65-45-12	Ductile Iron A536 65-45-13
	PLUG (not shown)	A105	ASTM B62

** Cover may be manufactured from equivalent grade plate material

Pressure Drop

See Pressure Drop Charts in Technical Data section of the Mueller Steam Specialty Engineering binder. Cv values are noted in the Dimensions and Weights table below.

Dimensions and Weights

SIZE	DIMENSIONS								WEIGHT				Cv		
	A		B		C		D (NPT)		E Screen Removal		Cast Iron			Bronze	
in.	in.	mm	in.	mm	in.	mm	in.	mm	in.	mm	lbs.	kgs.	lbs.	kgs.	GPM
3/8	4 ⁹ / ₁₆	116	4	102	2 ¹ / ₂	64	3/8	10	4 ¹³ / ₁₆	106	4.8	2.1	5.3	2.3	14
1/2	4 ⁹ / ₁₆	116	4	102	2 ¹ / ₂	64	3/8	10	4 ¹³ / ₁₆	106	4.8	2.1	5.3	2.3	14
3/4	4 ⁹ / ₁₆	116	4	102	2 ¹ / ₂	64	3/8	10	4 ¹³ / ₁₆	106	4.8	2.1	5.3	2.3	15
1	5 ⁵ / ₁₆	135	4 ¹¹ / ₁₆	119	2 ³ / ₄	70	3/8	10	5 ⁵ / ₈	149	6	2.7	7.8	3.5	23
1 ¹ / ₄	6 ⁵ / ₁₆	160	6 ¹ / ₂	165	3	76	1/2	15	8 ¹ / ₈	206	10	4.6	12.5	5	42
1 ¹ / ₂	6 ⁵ / ₁₆	160	6 ¹ / ₂	165	3	76	1/2	15	8 ¹ / ₈	206	10	4.6	12.5	5	42
2	8 ¹ / ₄	210	7 ⁷ / ₈	200	3 ⁵ / ₈	92	3/4	20	10 ¹ / ₈	257	19.5	8	24.5	11	70
2 ¹ / ₂	9 ⁷ / ₈	244	8 ³ / ₄	222	4	102	1	25	11 ¹ / ₁₆	590	28.5	12	36.5	16	110
3	11 ¹ / ₄	286	11 ³ / ₈	289	4 ¹ / ₂	114	1	25	14 ¹ / ₁₆	376	47	21	55.5	25	150

Limited Warranty: Mueller Steam Specialty warrants each product to be free from defects in material and workmanship under normal usage for a period of one year from the date of original shipment. In the event of such defects within the warranty period, the Company will, at its option, replace or recondition the product without charge. This shall constitute the sole and exclusive remedy for breach of warranty, and the Company shall not be responsible for any incidental, special or consequential damages, including without limitation, lost profits or the cost of repairing or replacing other property which is damaged if this product does not work properly, other costs resulting from labor charges, delays, vandalism, negligence, fouling caused by foreign material, damage from adverse water conditions, chemical, or any other circumstances over which the Company has no control. This warranty shall be invalidated by any abuse, misuse, misapplication or improper installation of the product. **THIS WARRANTY IS IN LIEU OF ALL OTHER WARRANTIES, EXPRESS OR IMPLIED, INCLUDING ANY IMPLIED WARRANTIES OF MERCHANTABILITY OR FITNESS FOR A PARTICULAR PURPOSE.** Any implied warranties that are imposed by law are limited in duration to one year.

Some States do not allow limitations on how long an implied warranty lasts, and some States do not allow the exclusion or limitation of incidental or consequential damages. Therefore the above limitations may not apply to you. This Limited Warranty gives you specific legal rights, and you may have other rights that vary from State to State. You should consult applicable state laws to determine your rights.



A WATTS Brand

USA: T: (800) 334-6259 • F: (800) 421-6772 • MuellerSteam.com

Latin America: T: (52) 81-1001-8600 • MuellerSteam.com

© 2019 Mueller Steam Specialty