

Models: 721, 722

Job Name _____

Contractor _____

Job Location _____

Approval _____

Engineer _____

Contractor's P.O. No. _____

Approval _____

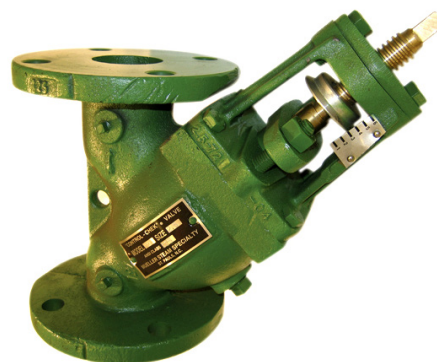
Representative _____

LEAD FREE*

Cast Iron & Ductile Iron Flanged End CONTROL CHEK® Valves

Models: 721, 722

Sizes: 2" – 14"



Models 721, 722

PRESSURE/TEMPERATURE–NON-SHOCK		
MODEL	SIZES	RATING CWP
721	2"-12"	200psi @ 150°F 14 bar @ 66°C 165psi @ 300°F
	14"	50psi @ 150°F 10 bar @ 66°C 110psi @ 300°F
722	2" – 12"	640psi @ 100°F 44 bar @ 38°C 565psi @ 300°F
	14"	500psi @ 100°F 34 bar @ 38°C 400psi @ 300°F

Max. temp can be limited by gasket material. Consult factory.

721 Class 125
722 Class 300

Typical Service

The CONTROL CHEK® valve is designed for installation in pump discharge piping where it performs triple duty. It acts as a spring loaded silent check valve, a shutoff valve, and a balancing valve. Used in conjunction with the Mueller Steam Specialty Suction Diffuser, it constitutes a compact and effective complete pump protection and isolation package.

Operation

- Disc is spring loaded to close the valve prior to flow reversal, protecting the pump and guarding against water hammer.
- Disc opens at .25psi
- Disc opens a 1/8" for each inch of line size, allowing greater flow than similar products
- Disc is fully guided with external threaded stem.
- Threaded stem allows flow adjustment from bubble tight shut-off to full flow.

Features

- Position indicator ensures accurate and repeatable balancing through disc positioning in throttling service.
- Stem and yoke are external unwetted parts so are not subject to corrosion or erosion by line fluids. This is a design feature unique to the Mueller Steam Specialty CONTROL CHEK®.
- Field servicing is easy and requires no special tools.
- NPT drain plug at location "C" is standard. See next page.
- Gauge taps are available at both inlet and outlet ends.

NOTICE

The information contained herein is not intended to replace the full product installation and safety information available or the experience of a trained product installer. You are required to thoroughly read all installation instructions and product safety information before beginning the installation of this product.

***The wetted surface of this product contacted by consumable water contains less than 0.25% of lead by weight.**

Mueller Steam Specialty product specifications in U.S. customary units and metric are approximate and are provided for reference only. For precise measurements, please contact Mueller Steam Specialty Technical Service. Mueller Steam Specialty reserves the right to change or modify product design, construction, specifications, or materials without prior notice and without incurring any obligation to make such changes and modifications on Mueller Steam Specialty products previously or subsequently sold.



A WATTS Brand

Materials

	721	722
Body and Yoke	Cast Iron ASTM A126-B	Ductile Iron ASTM A536
Disc	Aluminum Bronze ASTM B148, C952	Aluminum Bronze ASTM B148, C952
Stem	316 SS	316 SS
Seat Guide	Bronze ASTM B584, C844	Bronze ASTM B584, C844
Gland Flange	Cast Iron ASTM A126-B	Cast Iron ASTM A126-B
Packing	Compressed Fiber	Compressed Fiber
Spring	302 Stainless Steel	302 Stainless Steel
Stem Guide	Ductile Iron ASTM A536	Ductile Iron ASTM A536
O-Rings	EPDM	EPDM

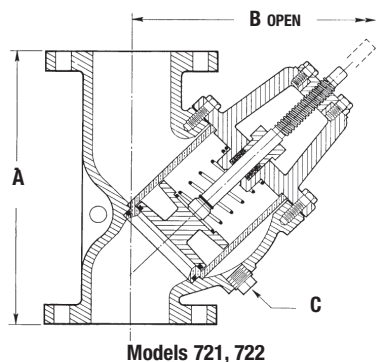
Other materials available on request.

*722G grooved end CONTROL CHEK® available. See the LOCKEND® section of the Mueller Steam Specialty Engineering binder.

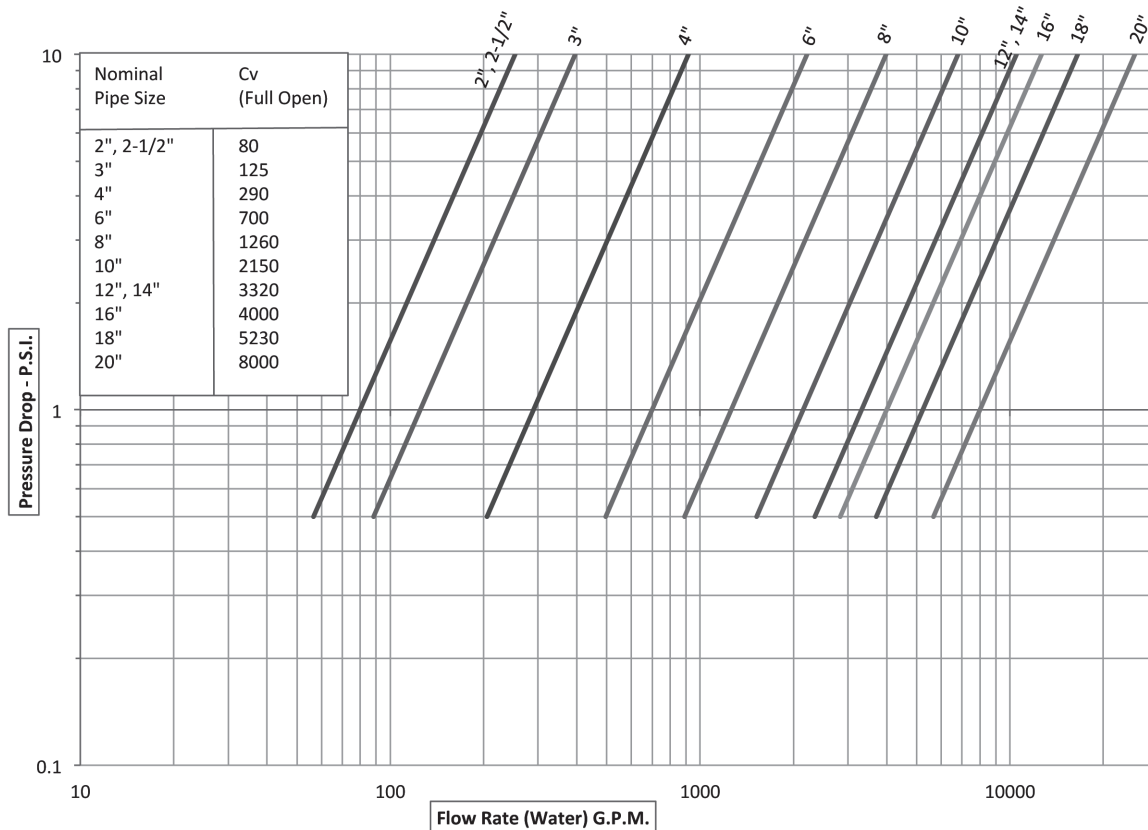
Dimensions and Weights

SIZE	DIMENSIONS						WEIGHT	
	A		B		C (NPT)		lbs.	kgs.
in.	in.	mm	in.	mm	in.	mm		
721								
2	8 $\frac{3}{8}$	213	9 $\frac{5}{8}$	244	$\frac{1}{2}$	15	34	15
2 $\frac{1}{2}$ "	8 $\frac{7}{8}$	225	9 $\frac{5}{8}$	244	$\frac{1}{2}$	15	40	18
3	10	254	10 $\frac{1}{8}$	257	$\frac{1}{2}$	15	50	27
4	14 $\frac{1}{2}$	368	12 $\frac{5}{8}$	321	$\frac{1}{2}$	15	100	45.4
5	16	406	12 $\frac{3}{4}$	321	$\frac{1}{2}$	15	155	70
6	18	457	17 $\frac{1}{2}$	445	$\frac{3}{4}$	20	200	90
8	21 $\frac{1}{2}$	546	18	457	$\frac{3}{4}$	20	350	159
10	25 $\frac{1}{2}$	648	21 $\frac{3}{4}$	552	1	25	480	218
12	30	762	24 $\frac{1}{2}$	616	1	25	660	300
14	30 $\frac{3}{8}$	772	24 $\frac{1}{2}$	622	1	25	790	359
722								
2	9 $\frac{3}{8}$	238	9 $\frac{5}{8}$	244	$\frac{1}{2}$	15	39	17
2 $\frac{1}{2}$ "	10 $\frac{1}{4}$	260	9 $\frac{5}{8}$	244	$\frac{1}{2}$	15	47	21
3	11 $\frac{1}{4}$	286	10 $\frac{1}{8}$	257	$\frac{1}{2}$	15	64	29
4	15 $\frac{3}{8}$	397	12 $\frac{5}{8}$	321	$\frac{1}{2}$	15	120	54.5
5	16 $\frac{3}{8}$	422	12 $\frac{3}{4}$	321	$\frac{1}{2}$	15	173	78
6	19 $\frac{3}{4}$	499	17 $\frac{1}{2}$	445	$\frac{3}{4}$	20	230	104
8	23 $\frac{3}{8}$	651	18	457	$\frac{3}{4}$	20	410	186
10	28	711	21 $\frac{3}{4}$	552	1	25	550	250
12	31 $\frac{3}{8}$	803	24 $\frac{1}{2}$	616	1	25	730	331
14	—	—	24 $\frac{1}{2}$	622	1	25	—	—

Apply For Certified Drawings.



Mueller Model 721 & 722 Triple Duty Valves



ESTIMATED Cv RATING VS. PERCENTAGE OF STEM RISE

Size	% of STEM RISE								
	100%	90%	80%	70%	60%	50%	40%	30%	20%
2"	80	-	-	-	-	-	-	-	-
2-1/2"	80	-	-	-	-	-	-	-	-
3"	125	120	112	100	88	75	60	46	30
4"	290	278	261	231	204	174	140	106	69
6"	700	670	629	558	492	421	338	255	166
8"	1260	1207	1132	1004	886	758	609	459	299
10"	2150	2059	1931	1713	1512	1294	1039	783	510
12"	3320	3179	2982	2645	2335	1998	1604	1210	788
14"	3320	3179	2982	2645	2335	1998	1604	1210	788
16"	4000	3831	3593	3186	2814	2407	1932	1458	949
18"	5230	5008	4698	4166	3679	3147	2526	1906	1241
20"	8000	7661	7186	6373	5627	4814	3864	2915	1898

Note: For size selection and estimating purposes only. 2" and 2-1/2" - Data not available

Limited Warranty: Mueller Steam Specialty warrants each product to be free from defects in material and workmanship under normal usage for a period of one year from the date of original shipment. In the event of such defects within the warranty period, the Company will, at its option, replace or recondition the product without charge. This shall constitute the sole and exclusive remedy for breach of warranty, and the Company shall not be responsible for any incidental, special or consequential damages, including without limitation, lost profits or the cost of repairing or replacing other property which is damaged if this product does not work properly, other costs resulting from labor charges, delays, vandalism, negligence, fouling caused by foreign material, damage from adverse water conditions, chemical, or any other circumstances over which the Company has no control. This warranty shall be invalidated by any abuse, misuse, misapplication or improper installation of the product. **THIS WARRANTY IS IN LIEU OF ALL OTHER WARRANTIES, EXPRESS OR IMPLIED, INCLUDING ANY IMPLIED WARRANTIES OF MERCHANTABILITY OR FITNESS FOR A PARTICULAR PURPOSE.** Any implied warranties that are imposed by law are limited in duration to one year.

Some States do not allow limitations on how long an implied warranty lasts, and some States do not allow the exclusion or limitation of incidental or consequential damages. Therefore the above limitations may not apply to you. This Limited Warranty gives you specific legal rights, and you may have other rights that vary from State to State. You should consult applicable state laws to determine your rights.



A WATTS Brand

USA: T: (800) 334-6259 • F: (800) 421-6772 • MuellerSteam.com

Latin America: T: (52) 81-1001-8600 • MuellerSteam.com