

Engineering Specification

Job Name _____
 Job Location _____
 Engineer _____
 Approval _____

Contractor _____
 Approval _____
 Contractor's P.O. No. _____
 Representative _____

LEAD FREE*

Cast Iron Flanged End Wye Strainers

Model: 758, Class 125
758 SM, Class 125

Sizes: 3/4" - 24", 2" - 24" (758 SM Only)

The 758 and 758 SM wye strainers provide economical protection for costly pumps, meters, valve and other similar mechanical equipment by straining foreign matter from the piping system. Installation of a strainer before mechanical equipment can ensure trouble free service and avoid costly shutdowns for repair or replacement of equipment damaged by foreign matter.

Smart and Connected technology comes standard on the NEW 758 SM wye strainer with two pre-installed pressure sensors at the inlet and outlet of the strainer. These sensors monitor the pressure drop that occurs over time when a strainer screen becomes clogged by foreign particles. When the differential pressure across the strainer screen exceeds the preconfigured threshold, an alert is triggered to the customer informing that action is required.

The Sensor Monitoring Control Unit & Connection kit is required to activate the pressure monitoring capability and collect data. Without the connection kit, the sensors are passive components that do not communicate with any other device.

When equipped, the system can also enable automated blowdown to purge debris based on differential pressure thresholds, reducing the need for manual intervention. Real time data streaming is provided via RS-485 Modbus for integration with building automation systems (BAS) or through Wi-Fi to the Nexa platform.



Model 758

Model 758 SM

Call customer service if you need assistance with technical details.

PRESSURE/TEMPERATURE-NON-SHOCK	
758	
3/4" - 12"	14" - 24"
200 psi @ -20°F to 150°F	150 psi @ -20°F to 150°F
14 bar @ -29°C to 66°C	10 bar @ -29°C to 66°C
125 psi @ 450°F	100 psi @ 353°F
9 bar @ 232°C	7 bar @ 176°C
758 SM	
2" - 12"	14" - 24"
200 psi @ -20°F to 150°F	150 psi @ -20°F to 150°F
14 bar @ -29°C to 66°C	10 bar @ -29°C to 66°C
125 psi @ 32°F to 248°F	100psi @ 32°F to 248°F
9 bar @ 0°C to 120°C	7 bar @ 0°C to 120°C

Screens

MODEL	SIZE	STANDARD (WATER)		STEAM RECOMMENDATION	
		MATERIAL	OPENING	MATERIAL	OPENING
758 & 758 SM	3/4 - 4	304SS	.062 perf	304SS	.045 perf
758 & 758 SM	5 - 10	304SS	.125 perf	304SS	.045 perf
758 & 758 SM	12 and up	304SS	.125 perf	304SS	.062 perf

Alternative screens available by request.

NOTICE

The information contained herein is not intended to replace the full product installation and safety information available or the experience of a trained product installer. You are required to thoroughly read all installation instructions and product safety information before beginning the installation of this product.

*The wetted surface of this product contacted by consumable water contains less than 0.25% of lead by weight.

Mueller Steam Specialty product specifications in U.S. customary units and metric are approximate and are provided for reference only. For precise measurements, please contact Mueller Steam Specialty Technical Service. Mueller Steam Specialty reserves the right to change or modify product design, construction, specifications, or materials without prior notice and without incurring any obligation to make such changes and modifications on Mueller Steam Specialty products previously or subsequently sold.



A WATTS Brand

Available Features with Sensor Control Monitor Installed

- Real-time pressure monitoring and automated blowdown functionality
- Visual Display - Pressure and temperature data for each sensor, Screen Pressure differential, Screen fill percentage
- Data streaming via Modbus RS-485 Serial Communication [BAS] or Nexa Cloud Communication [Wi-Fi]
- Local alerts on fill exceeding threshold [LCD UI/UX and Dry Contact Closures]

Alerts

- OLED Display
- BMS Alarm
- RS-485 MODBUS or Nexa Cloud via Wi-Fi



Construction

- All covers have NPT blowoff outlet at location C.
-Not normally furnished with plug. Plug available, specify at time of order.
- Recessed seat in the cover assures accurate screen alignment
- Bosses at the inlet and outlet flanges are provided for the gauge taps

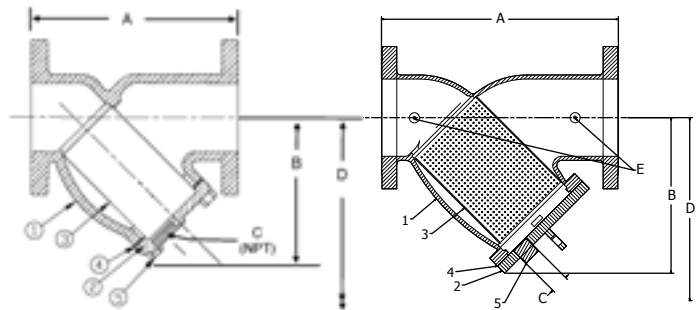
Self-Cleaning

- Self-cleaning is accomplished by opening the plug or valve connected to the blowoff outlet
- When mounted in vertical piping, it is recommended to rotate the cover to position the blow off at the lowest point
- Automated blowdown functionality available on 758 SM when connected to Sensor Control Monitor (sold separately)

Materials

BILL OF MATERIAL - 758		
ITEM	DESCRIPTION	MATERIAL
1	BODY	Cast Iron ASTM A126-B
2	COVER **	Cast Iron ASTM A126-B
3	SCREEN	304 SS
4	GASKET	Non-Asbestos
5	HEX HEAD CAP SCREWS	SAE J429 Gr. 5
6	PRESSURE SENSOR	Mixed composite
7	Motorized Ball Valve (758 SM Automated Blowdown)	Nickel-plated Lead Free Brass

** Cover may be manufactured from equivalent grade plate material



758

758 SM

Dimensions and Weights

SIZE	DIMENSIONS						WEIGHT				Cv (GPM)			
	A		B		C (NPT)		D (Screen Removal)		E (NPT) (Sensor Port)		lbs.	kgs.	Strainer	Automated Blowdown Ball Valve
in.	in.	mm	in.	mm	in.	mm	in.	mm	in.	mm				
3/4	7 3/8	187	3 3/4	95	1/2	15	5	127	-	-	10	4.5	15	-
1	7 3/8	187	3 7/8	98	1/2	15	5	127	-	-	10	4.5	22	-
1 1/4	7 1/2	190	4 3/4	120	1/2	15	6 1/2	165	-	-	13	5.9	38	-
1 1/2	7 1/2	190	4 3/4	120	1/2	15	6 1/2	165	-	-	13	5.9	42	-
2	7 7/8	200	5 1/4	133	1/2	15	7	178	1/2	15	18	8	70	15
2 1/2	10	254	6 1/2	165	1	25	9 3/4	248	1/2	15	28	12	110	100
3	10 1/8	257	7	178	1	25	10	254	1/2	15	34	15	140	100
4	12 1/8	308	8 1/4	210	1 1/2	40	12	305	1/2	15	60	27	245	260
5	15 5/8	397	11 1/4	286	2	50	17	432	1/2	15	95	43	400	450
6	18 1/2	470	13 1/2	343	2	50	20	508	1/2	15	133	60	600	450
8	21 5/8	549	15 1/2	394	2	50	22 3/4	578	1/2	15	247	112	1,000	450
10	25 3/4	654	18 1/2	470	2	50	28	711	1/2	15	370	168	1,580	450
12	29 7/8	759	21 3/4	553	2	50	30	762	1/2	15	579	263	2,200	450
14	33 3/4	846	25	635	2	50	36 1/2	927	1/2	15	863	392	3,200	450
16	38 3/4	984	26 1/2	673	2	50	42	1067	1/2	15	1380	627	4,900	450
18	43 3/8	1105	31	788	2	50	45 1/2	1156	1/2	15	2272	1032	6,100	450
20	49 1/2	1257	38 3/16	970	2	50	55 3/8	1407	1/2	15	2675	1213	8,000	450
24	58 1/2	1486	44 1/16	1119	2	50	67 1/4	1708	1/2	15	4880	2213	11,000	450

Apply For Certified Drawings.



A WATTS Brand

