

Model: 88

Job Name _____
 Job Location _____
 Engineer _____
 Approval _____

Contractor _____
 Approval _____
 Contractor's P.O. No. _____
 Representative _____

Model: 88

Ductile Iron Full Lug Butterfly Valves

Sizes: 2" – 24"

Typical Service

- These soft-seated butterfly valves are designed for a variety of general applications in the control of water, air, oil, gases, and corrosive media. They are equally effective for on-off, throttling, or isolation service requirements. Lug style valves are designed for dead-end service to the full pressure rating of the valve. Model 88 butterfly valve is especially well suited for higher velocity service and vacuum service.

Features

- Phenolic backed (2" – 14"), aluminum backed (16" – 24"),
- Non-collapsible, resilient elastomer seat. Available in EPDM or Viton.
- ISO 5211 mount is standard. Double D shaft is standard 2" – 10" while keyway design is supplied 12" – 24"
- Stem is a one-piece design for maximum strength and is retained in valve body for blowout proof operation. 316SS is standard for 316SS discs (2" – 12") and 431SS is standard for 316SS discs (14" – 24")
- Stem bushings provide shaft support for proper stem alignment and minimize stem deflection. Duralon bushings are standard material in 2" – 12" sizes. Bronze bushings are standard in 14" – 24" sizes.
- Stem seals prevent external contamination of stem area and provide backup for the primary shaft seal formed by the disc/seat interface.
- ASTM-A-536 ductile iron body available in full lug (Model 88) designed for use between ANSI 125 and 150 flanges. Face-to-face dimension comply with API 609 and MSS-SP-67.
- Available in standard 10-position locking handle. Also gear operators are available 2" – 24". Contact the factory for electric or pneumatic actuation.

Performance Guidelines

Guidelines for throttling service:
 Liquids – Line velocity should not exceed 20ft./sec.
 Gases – Line velocity should not exceed 15,000 ft./min.



Model 88 (Full Lug)

Pressure/Temperature - Non-Shock			
Model	Size	Material	Rating
88	2"-12"	Ductile Iron	200psi
88	14"-24"	Ductile Iron	150psi

**Max. temp. can be limited by seat material.
 Consult Factory.
 Not Recommended for Steam Service.**

Materials

MODEL 88	
Body	Ductile Iron
Stem	316SS (2"-12"), 431SS (14"-24")
Disc	316SS
Seat	EPDM - 5°F to 250°F (-15°C to +121°C) VITON - 20°F to +400°F (-28° to 204°C)

NOTICE

Do not use EPDM when hydrocarbons are present

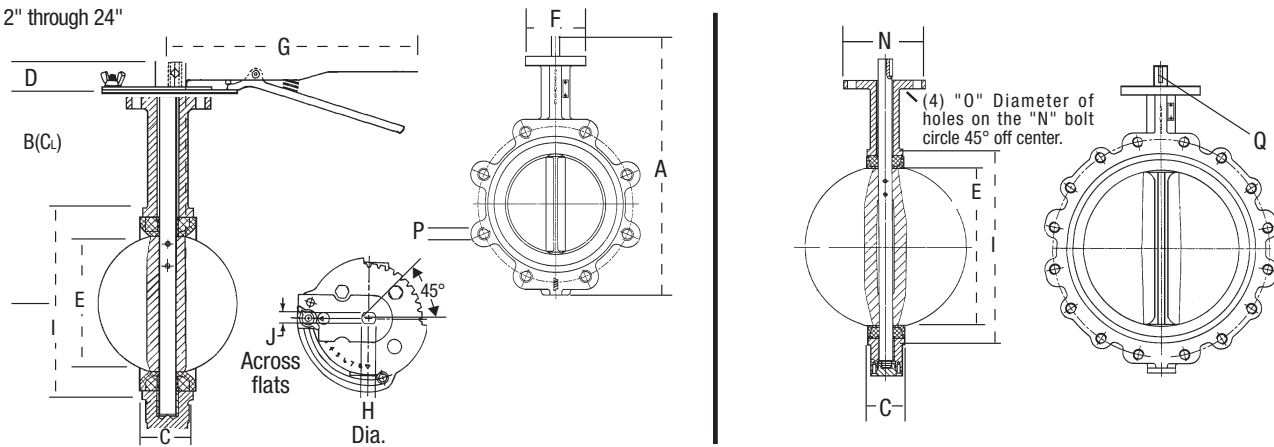
NOTICE

The information contained herein is not intended to replace the full product installation and safety information available or the experience of a trained product installer. You are required to thoroughly read all installation instructions and product safety information before beginning the installation of this product.

Mueller Steam Specialty product specifications in U.S. customary units and metric are approximate and are provided for reference only. For precise measurements, please contact Mueller Steam Specialty Technical Service. Mueller Steam Specialty reserves the right to change or modify product design, construction, specifications, or materials without prior notice and without incurring any obligation to make such changes and modifications on Mueller Steam Specialty products previously or subsequently sold.

Dimensions and Weights

2" through 24"

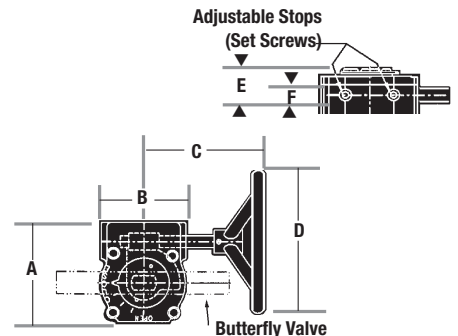


SIZE	DIMENSIONS																			
	A		B		C		D		E		F		G		H		B		J	
	in.	mm	in.	mm	in.	mm	in.	mm	in.	mm	in.	mm	in.	mm	in.	mm	in.	mm	in.	mm
2"	10 $\frac{3}{4}$	273	6 $\frac{5}{8}$	161	1 $\frac{1}{2}$	42	1 $\frac{1}{4}$	32	2 $\frac{1}{2}$	54	3 $\frac{1}{16}$	77	10 $\frac{1}{2}$	267	$\frac{1}{2}$	13	3 $\frac{3}{4}$	95	$\frac{3}{8}$	9
2 $\frac{1}{2}$ "	11 $\frac{1}{2}$	295	6 $\frac{7}{8}$	175	1 $\frac{3}{4}$	45	1 $\frac{1}{4}$	32	2 $\frac{1}{2}$	64	3 $\frac{1}{16}$	77	10 $\frac{1}{2}$	267	$\frac{1}{2}$	13	4 $\frac{1}{4}$	108	$\frac{3}{8}$	9
3"	12 $\frac{1}{2}$	308	7 $\frac{1}{8}$	181	1 $\frac{3}{4}$	45	1 $\frac{1}{4}$	32	3 $\frac{1}{8}$	79	3 $\frac{1}{16}$	77	10 $\frac{1}{2}$	267	$\frac{1}{2}$	13	4 $\frac{1}{4}$	120	$\frac{3}{8}$	9
4"	13 $\frac{3}{8}$	346	7 $\frac{7}{8}$	200	2	52	1 $\frac{1}{4}$	32	4 $\frac{1}{8}$	105	3 $\frac{3}{8}$	92	10 $\frac{1}{2}$	267	$\frac{5}{8}$	16	6 $\frac{1}{16}$	154	$\frac{7}{16}$	11
5"	14 $\frac{1}{2}$	372	8 $\frac{1}{8}$	213	2 $\frac{1}{16}$	56	1 $\frac{1}{4}$	32	4 $\frac{1}{8}$	124	3 $\frac{3}{8}$	92	10 $\frac{1}{2}$	267	$\frac{3}{4}$	19	7 $\frac{1}{8}$	181	$\frac{1}{2}$	13
6"	15 $\frac{1}{2}$	397	8 $\frac{7}{8}$	226	2 $\frac{3}{16}$	56	1 $\frac{1}{4}$	32	6 $\frac{1}{8}$	156	3 $\frac{3}{8}$	92	10 $\frac{1}{2}$	267	$\frac{3}{4}$	19	8 $\frac{1}{16}$	208	$\frac{1}{2}$	13
8"	18 $\frac{1}{8}$	479	10 $\frac{1}{4}$	260	2 $\frac{1}{2}$	60	1 $\frac{1}{4}$	45	8	202	5	125	14	356	$\frac{7}{8}$	22	10 $\frac{1}{4}$	260	$\frac{5}{8}$	16
10"	21 $\frac{1}{4}$	540	11 $\frac{1}{2}$	292	2 $\frac{1}{2}$	66	1 $\frac{1}{4}$	45	9 $\frac{1}{8}$	251	5	125	14	356	1 $\frac{1}{8}$	29	12 $\frac{3}{8}$	320	1 $\frac{1}{16}$	21
12"	24 $\frac{1}{2}$	626	13 $\frac{1}{4}$	337	3	76	1 $\frac{1}{4}$	45	11 $\frac{1}{8}$	301	6	150	14	356	1 $\frac{1}{4}$	32	14 $\frac{1}{4}$	375	-	-
14"	26 $\frac{3}{4}$	679	14 $\frac{1}{2}$	368	3	76	1 $\frac{1}{4}$	45	13 $\frac{1}{8}$	333	6	150	-	-	1 $\frac{1}{4}$	32	15 $\frac{1}{16}$	405	-	-
16"	30	762	15 $\frac{3}{4}$	400	3 $\frac{3}{8}$	87	2	50	15 $\frac{3}{8}$	391	6 $\frac{7}{8}$	175	-	-	1 $\frac{1}{16}$	33	18 $\frac{1}{2}$	470	-	-
18"	31 $\frac{1}{2}$	800	16 $\frac{1}{2}$	422	4 $\frac{1}{8}$	105	2	50	17 $\frac{3}{8}$	442	6 $\frac{1}{8}$	175	-	-	1 $\frac{1}{2}$	38	20 $\frac{1}{16}$	525	-	-
20"	35 $\frac{1}{16}$	897	18 $\frac{1}{8}$	480	5 $\frac{1}{8}$	130	2 $\frac{1}{2}$	53	19 $\frac{1}{8}$	493	8 $\frac{1}{4}$	210	-	-	1 $\frac{1}{2}$	41	22 $\frac{1}{4}$	565	-	-
24"	42 $\frac{1}{2}$	1088	22 $\frac{1}{2}$	562	6	152	2 $\frac{1}{4}$	58	23 $\frac{3}{8}$	594	8 $\frac{1}{4}$	210	-	-	2	50	27 $\frac{1}{16}$	693	-	-

SIZE	TOP PLATE DRILLING				TAPPED LUG DATA				KEY WAY		WEIGHT (LBS.)†	
	N		O		Bolt Circle		No	Bolt	Q		lbs.	kg
	in.	mm	in.	mm	in.	mm	in.	mm	in.	mm		
2"	2	50	$\frac{1}{4}$	7	4 $\frac{3}{4}$	121	4	5/8"-11UNC x 1 $\frac{1}{8}$ "	-	-	8	6
2 $\frac{1}{2}$ "	2	50	$\frac{1}{4}$	7	5 $\frac{1}{2}$	140	4	5/8"-11UNC x 1 $\frac{1}{8}$ "	-	-	10	7
3"	2	50	$\frac{1}{4}$	7	6	150	4	5/8"-11UNC x 1 $\frac{3}{4}$ "	-	-	10	7
4"	2 $\frac{3}{4}$	70	$\frac{3}{8}$	10	7 $\frac{1}{2}$	191	8	3/4"-11UNC x 2"	-	-	17	12
5"	2 $\frac{3}{4}$	70	$\frac{3}{8}$	10	8 $\frac{1}{2}$	216	8	3/4"-10UNC x 2 $\frac{1}{16}$ "	-	-	25	16
6"	2 $\frac{3}{4}$	70	$\frac{3}{8}$	10	9 $\frac{1}{2}$	241	8	3/4"-10UNC x 2 $\frac{1}{16}$ "	-	-	27	20
8"	4	102	$\frac{1}{2}$	13	11 $\frac{1}{4}$	298	8	3/4"-10UNC x 2 $\frac{1}{16}$ "	-	-	40	29
10"	4	102	$\frac{1}{2}$	13	14 $\frac{1}{4}$	362	12	7/8"-9UNC x 2 $\frac{1}{16}$ "	-	-	63	48
12"	5	125	$\frac{1}{2}$	13	17	432	12	7/8"-9UNC x 3"	$\frac{1}{4}$ x $\frac{1}{4}$	6 x 32	107	78
14"	5	125	$\frac{1}{2}$	13	18 $\frac{3}{4}$	476	12	1"-8UNC x 3"	$\frac{1}{4}$ x $\frac{1}{4}$	6 x 32	156	99
16"	5 $\frac{1}{2}$	140	$\frac{1}{16}$	18	21 $\frac{1}{4}$	540	16	1"-8UNC x 3 $\frac{3}{8}$ "	$\frac{5}{16}$ x 1 $\frac{1}{16}$	8 x 46	203	140
18"	5 $\frac{1}{2}$	140	$\frac{1}{16}$	18	22 $\frac{3}{4}$	578	16	1 $\frac{1}{8}$ "-7UNC x 4 $\frac{1}{8}$ "	$\frac{3}{8}$ x 1 $\frac{1}{16}$	10 x 40	269	188
20"	6 $\frac{1}{2}$	165	$\frac{7}{8}$	22	25	635	20	1 $\frac{1}{8}$ "-7UNC x 5 $\frac{1}{8}$ "	$\frac{3}{8}$ x 1 $\frac{1}{16}$	10 x 40	392	248
24"	6 $\frac{1}{2}$	165	$\frac{7}{8}$	22	29 $\frac{1}{2}$	750	20	1 $\frac{1}{4}$ "-7UNC x 6"	$\frac{1}{2}$ x 2 $\frac{1}{8}$	13 x 60	593	450

SEATING TORQUE		(FULL OPEN)	
Buna-N, EPDM (in./lbs.)		Size	CV Rating
Size	Normal Conditions WET/DRY	2"	135
2 $\frac{1}{2}$ "	134/214	2 $\frac{1}{2}$ "	220
3"	190/289	3"	302
4"	250/387	4"	600
5"	390/644	5"	1,022
6"	600/959	6"	1,579
8"	907/1,542	8"	3,136
10"	1,697/2,919	10"	5,340
12"	2,500/4,857	12"	8,250
14"	3,300/7,071	14"	11,917
16"	3,500/7,305	16"	16,388
18"	5,500/10,027	18"	21,705
20"	8,200/13,437	20"	27,908
24"	10,000/17,925	24"	43,116
24"	18,680/28,020		

GEAR DIMENSIONS: STD. WEATHERPROOF W/ HANDWHEEL								
Valve Size	A	B	C	D	E	F	#Turns	Unit Weight (lbs)
	Depth	Width	CL to HW	HW Dia.	Height	CL to MT Pad	Open - Close	
2", 2 $\frac{1}{2}$ ", 3"	5.0	4.2	6.5	6.0	2.7	1.5	7.0	10.0
4"	5.0	4.2	6.5	6.0	2.7	1.5	7.0	10.0
5", 6"	5.0	4.2	6.5	6.0	2.7	1.5	7.0	10.0
8"		7.0	6.2	9.5	12.0	3.0	1.8	7.5
10"		7.0	6.2	9.5	12.0	3.0	1.8	7.5
12", 14"		7.8	6.4	9.5	12.0	3.0	2.0	12.5
16"		11.5	9.6	15.0	16.0	4.2	2.5	20.0
18"		11.5	9.6	15.0	16.0	4.2	2.5	20.0
20"		11.5	9.6	15.0	16.0	4.2	2.5	20.0
24"		12.6	9.1	15.0	24.0	4.5	2.0	80.0



How to order Mueller Steam Specialty Model 88 Butterfly Valves

Example: 04.0-88IHH61

This is a 4 lugged body valve with a ductile iron body, 316 SS stem, 316 SS Disc, EPDM Seat and a ten position handle

4.0 - 88 - I H H - 6 - 1

SIZE: _____

MODEL: _____

88 - Full Lug (*Replaces previous Model 66M*)

BODY: _____

I - Ductile Iron

STEM: _____

H - 316SS (*Standard 2" – 12"*)

P - 431SS (*Standard 14" – 24"*)

DISC: _____

H - 316SS

SEAT: _____

4 - Viton

6 - EPDM

OPERATOR: _____

1 - 10-Position Lever handle (*Lockable in both open and closed positions*)

5 - Gear Operator (*Recommended for 10 and above*)



A **WATTS** Brand

USA: Tel: (800) 334-6259 • Fax: (800) 421-6772 • MuellerSteam.com

Latin America: Tel: (52) 81-1001-8600 • MuellerSteam.com