

Instructions for Inspection Chamber

Used with All R-flex Pipe

Inspection chambers allow access to connections and valves after R-flex is installed and can be used as an alternative to the individual connection casings. Each chamber is equipped with 6 marked entries that can be cut to suit various opening sizes (125, 160 or 200 mm).

Each inspection chamber comes with a top lid, stainless screws, and an instruction sheet.

The following steps will lead to establishing a waterproof connection.

Assembly instructions

Entries are marked and are to be cut off to suit the desired opening sizes. Carefully lower the inspection chamber on a level bed of sand, free of sharp objects.

Connections

Before connecting the R-flex in the inspection chamber, slide a shrink cap (1) over the jacket and the carrier pipe. Use a heat gun (2) or mini torch with soft yellow flame (**do NOT use a blue flame!**) to gently shrink the cap. Further information on applying the shrink caps can be found in the section **Guidelines for installing shrinkable end caps**.

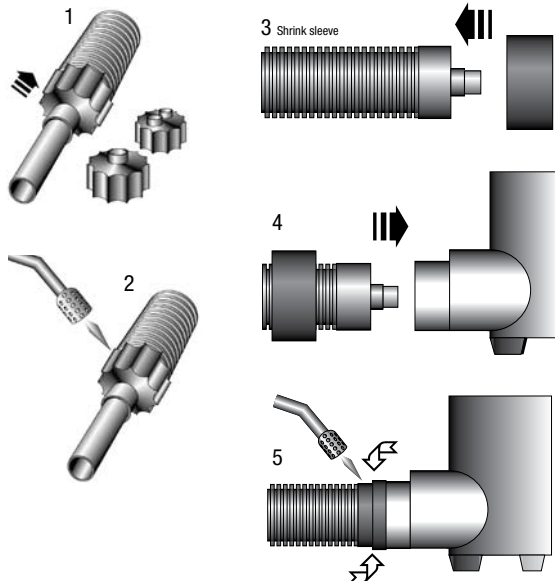
The use of the shrink cap is mandatory for any casing installation.

Slide a shrink sleeve (3) over the jacket, prior to entering (4) the R-flex pipe into the inspection chamber.

Make all necessary connections in the chamber.

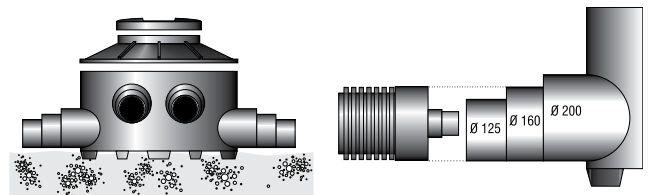
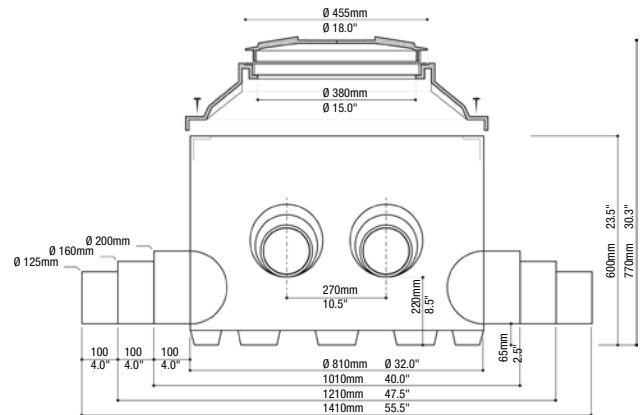
Slide the shrink sleeve back over the edge of the inspection chamber (5) so it covers both the chamber and the R-flex outer jacket. Gently shrink the sleeve onto the jacket, using a heat gun or a mini torch to ensure a waterproof connection between jacket and inspection chamber.

The use of the shrink sleeve is mandatory for any casing installation.



⚠ WARNING

Keep hands away from any open flame. Do not touch – surface of shrink-wrap will be hot. Wear gloves when handling.

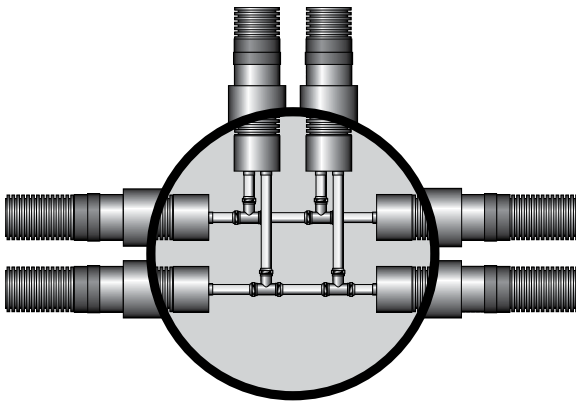


Qty	Description	Order #	Model #
1	Inspection Chamber	81012551	RFIC-125200

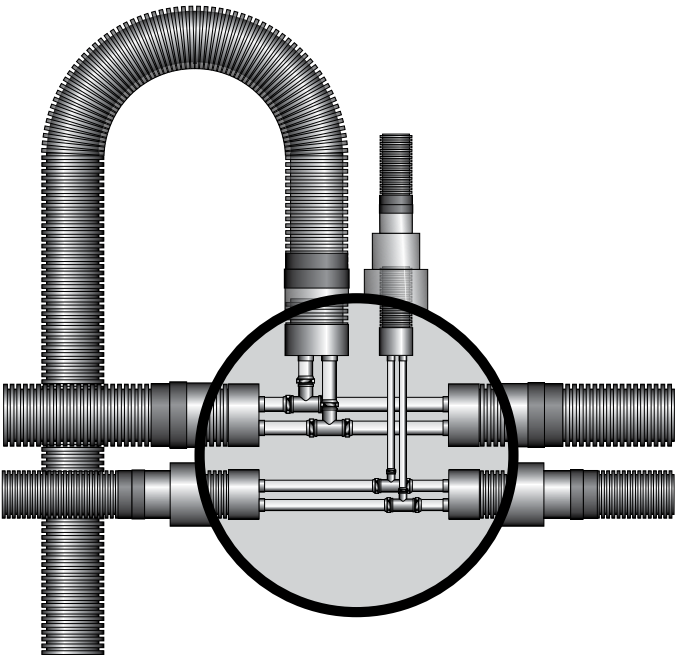
Branching possibilities

The inspection chamber, made of shock-resistant polyethylene, is very durable. It offers the possibility of:

- branching from Single to Dual R-flex pipes

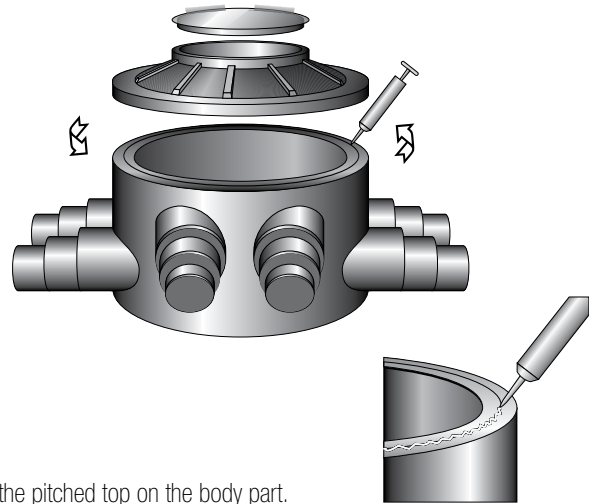


- branching from Dual to Dual R-flex pipes
- branching of several Dual pipes having various diameters



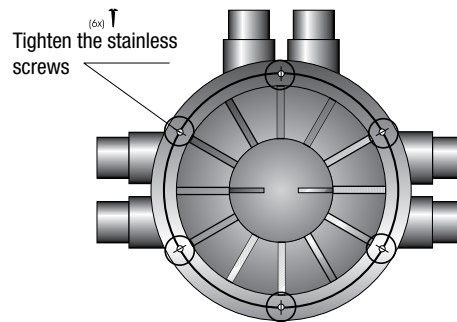
Sealing of inspection chamber

Apply sealant at a uniform rate, to edge of chamber body part to yield a thickness of about 0.4" x 0.4" (10 mm by 10 mm wide).



Place the pitched top on the body part.

Tighten the 6 stainless bolts.



Carefully turn the lid clockwise to lock it. Do not damage the black gasket between body and top part.

Do not use force.

Limited Warranty: Watts Radiant (the "Company") warrants each product to be free from defects in material and workmanship under normal usage for a period of one year from the date of original shipment. In the event of such defects within the warranty period, the Company will, at its option, replace or recondition the product without charge.

THE WARRANTY SET FORTH HEREIN IS GIVEN EXPRESSLY AND IS THE ONLY WARRANTY GIVEN BY THE COMPANY WITH RESPECT TO THE PRODUCT. THE COMPANY MAKES NO OTHER WARRANTIES, EXPRESS OR IMPLIED. THE COMPANY HEREBY SPECIFICALLY DISCLAIMS ALL OTHER WARRANTIES, EXPRESS OR IMPLIED, INCLUDING BUT NOT LIMITED TO THE IMPLIED WARRANTIES OF MERCHANTABILITY AND FITNESS FOR A PARTICULAR PURPOSE.

The remedy described in the first paragraph of this warranty shall constitute the sole and exclusive remedy for breach of warranty, and the Company shall not be responsible for any incidental, special or consequential damages, including without limitation, lost profits or the cost of repairing or replacing other property which is damaged if this product does not work properly, other costs resulting from labor charges, delays, vandalism, negligence, fouling caused by foreign material, damage from adverse water conditions, chemical, or any other circumstances over which the Company has no control. This warranty shall be invalidated by any abuse, misuse, misapplication, improper installation or improper maintenance or alteration of the product.

Some States do not allow limitations on how long an implied warranty lasts, and some States do not allow the exclusion or limitation of incidental or consequential damages. Therefore the above limitations may not apply to you. This Limited Warranty gives you specific legal rights, and you may have other rights that vary from State to State. You should consult applicable state laws to determine your rights. **SO FAR AS IS CONSISTENT WITH APPLICABLE STATE LAW, ANY IMPLIED WARRANTIES THAT MAY NOT BE DISCLAIMED, INCLUDING THE IMPLIED WARRANTIES OF MERCHANTABILITY AND FITNESS FOR A PARTICULAR PURPOSE, ARE LIMITED IN DURATION TO ONE YEAR FROM THE DATE OF ORIGINAL SHIPMENT.**