

For Commercial Applications

Job Name _____
 Job Location _____
 Engineer _____
 Approval _____
 Tag _____

Contractor _____
 Approval _____
 Contractor's P.O. No. _____
 Representative _____

FD-290-PR-60
PVC Adjustable Floor Drain
with Integrated Level



Specification

The Pronto!™ FD-290-PR-60 PVC on-grade floor drain features an integrated bubble level, two leveling shims, anchor flange, weepholes, pre- and post-pour adjustable, with round nickel bronze strainer, and solvent weld outlet connection.

Pipe Size (Select One)		
Suffix	Description	
2	2"(51) Pipe Size	<input type="checkbox"/>
3	3"(76) Pipe Size	<input type="checkbox"/>
4	4"(102) Pipe Size	<input type="checkbox"/>

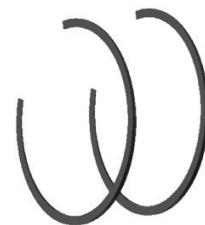
Strainer (Select One)		
Suffix	Description	
PR5	5"(127) Dia., Nickel Bronze	<input type="checkbox"/>
PR6	6"(152) Dia., Nickel Bronze	<input type="checkbox"/>
PR7	7"(178) Dia., Nickel Bronze	<input type="checkbox"/>
PR8	8"(203) Dia., Nickel Bronze	<input type="checkbox"/>

Options (Select One)		
Suffix	Description	
-6	Vandal Proof	<input type="checkbox"/>
-7	Trap Primer Tapping	<input type="checkbox"/>
-8	Backwater Valve (2, 3, 4" Only)	<input type="checkbox"/>
*-F4-1	4" Round Nickel Bronze Funnel	<input type="checkbox"/>
*-F6-1	6" Round Nickel Bronze Funnel	<input type="checkbox"/>
*-G-50	4x9" Oval Cast Iron Funnel	<input type="checkbox"/>

* Order Separately



Finished Assembly



Leveling Shims
(included with assembly)



Finished Assembly
(shown without plastic cap)

NOTICE

The information contained herein is not intended to replace the full product installation and safety information available or the experience of a trained product installer. You are required to thoroughly read all installation instructions and product safety information before beginning the installation of this product.

Watts product specifications in U.S. customary units and metric are approximate and are provided for reference only. For precise measurements, please contact Watts Technical Service. Watts reserves the right to change or modify product design, construction, specifications, or materials without prior notice and without incurring any obligation to make such changes and modifications on Watts products previously or subsequently sold.



Dimensions

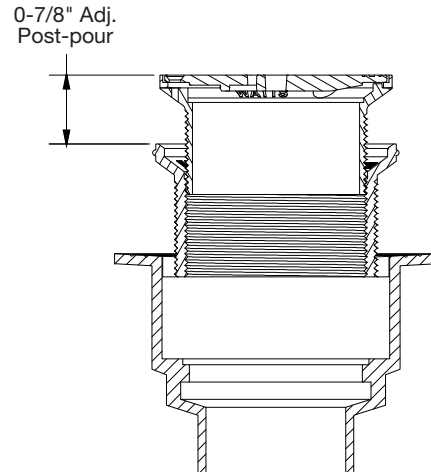
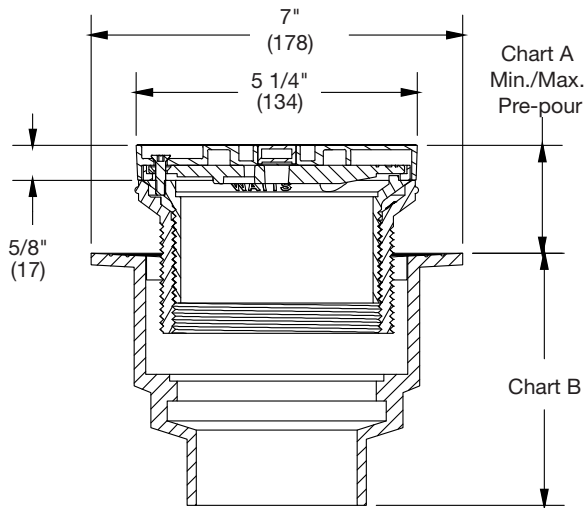


Chart A

Str. Dia.	Min.	Max.	Load Rating	Free Area Sq. In.
5"(127)	1.500	3.250	*MD	6.05
6(152)	1.500	3.250	*LD	10.75
7"(178)	1.563	3.312	*LD	13.25
8"(203)	1.718	3.468	*MD	18.98

Chart B

Pipe Size	60/ PVC
2"(51)	4 1/2"(114)
3"(76)	4 1/2"(114)
4"(102)	4 1/2"(114)

