

Engineering Specification

Job Name _____

Contractor _____

Orion Representative _____

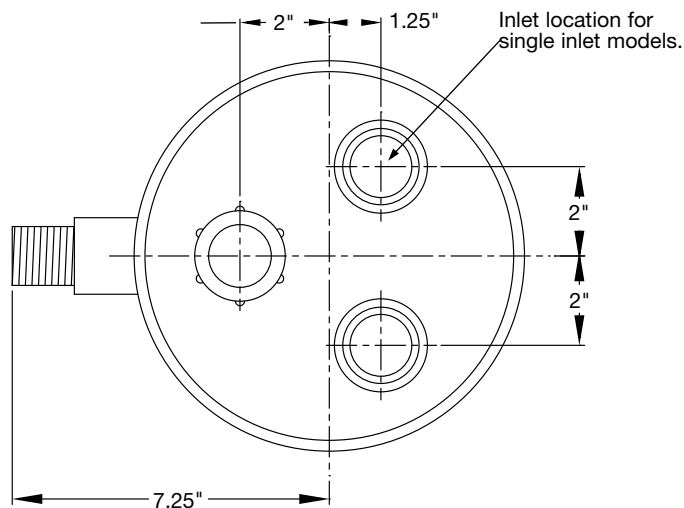
Approval Date _____

Quantity Required _____

Contractor's P.O. No. _____

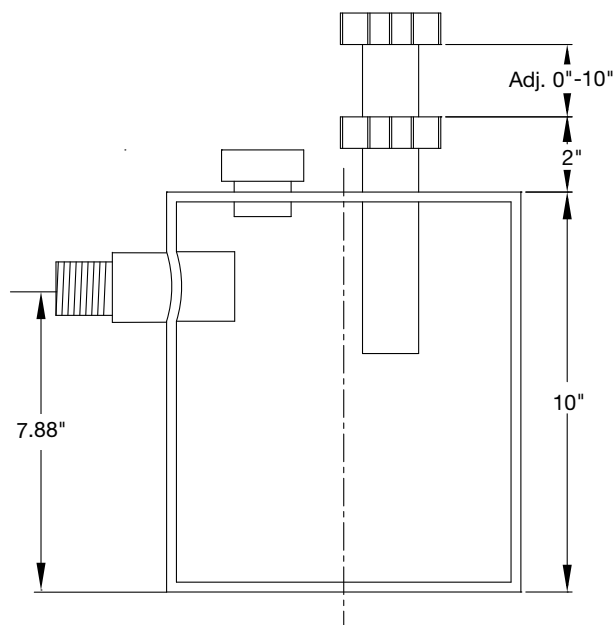
T10 Point-Of-Use Dilution Tank Specification

Orion T10 POU 1.5 USG Tank will be cylindrical seamless, stress and defect free, rotationally molded construction with integral cover to uniform wall thickness from virgin PE resins conforming to ASTM D 1248, with FIP adjustable inlet(s) with dip tube(s), with single MIP outlet and 2" top cleanout as standard. All penetrations will be heat fused to tank wall.



Tank Selection		
Select One	Part No.	Description
	736000	Two 1.5" FIP Inlets, One 2" MIP Side Outlet, Black
	736004	Two 1.5" FIP Inlets, One 2" MIP Side Outlet, White
	736001	One 1.5" FIP Inlets, One 2" MIP Side Outlet, Black
	736005	One 1.5" FIP Inlets, One 2" MIP Side Outlet, White
	736003	Two 2" FIP Inlets, One 2" MIP Side Outlet, Black
	736007	Two 2" FIP Inlets, One 2" MIP Side Outlet, White
	736002	One 2" FIP Inlets, One 2" MIP Side Outlet, Black
	736006	One 2" FIP Inlets, One 2" MIP Side Outlet, White

Note: Tanks are made to ±0.25 in. tolerance.



NOTICE

The information contained herein is not intended to replace the full product installation and safety information available or the experience of a trained product installer. You are required to thoroughly read all installation instructions and product safety information before beginning the installation of this product.

Please verify all selections with your local Orion rep - tank products and accessory equipment are non-returnable.

Orion product specifications in U.S. customary units and metric are approximate and are provided for reference only. For precise measurements, please contact Orion Technical Service. Orion reserves the right to change or modify product design, construction, specifications, or materials without prior notice and without incurring any obligation to make such changes and modifications on Orion products previously or subsequently sold.



A WATTS Brand

USA: T: (800) 334-6259 • OrionFittings.com
Canada: T: (888) 208-8927 • OrionFittings.ca
Latin America: T: (52) 55-4122-0138 • OrionFittings.com